

Replacement Parts Suitable for  
**John Deere**

**AGRÍCOLA BLASCO S.L.**

[www.agricolablasco.com](http://www.agricolablasco.com)

Telfno. 96 661 52 44 - Fax. 96 545 53 91.

[info@agricolablasco.com](mailto:info@agricolablasco.com)

Your Global Supplier

Tractor Parts  
& accessories



Balancer shaft .....	109-110
Belt tensioners .....	204-205
Cab filters .....	283-286
Caps and dipsticks .....	90-101
Connecting rods & related parts .....	36-44
Conrod bearing kits .....	13-23, 36-44
Crankshaft & related parts .....	13-20
Crankshaft kit .....	21
Crankshaft pulley .....	28
Crankshaft seals .....	24-28
Cross references .....	287-297
Cylinder head bolts .....	62-64
Cylinder head parts .....	65-71
Derivative application chart (appropriate to engine parts) .....	9-10
Dipsticks .....	90-101
Engine gasket sets .....	80-87
Engines & agricultural tractors .....	11-12
Fan blade .....	203
Filters .....	223-259
Flywheel assemblies .....	29
Flywheel ring gears .....	30-35
Fuel caps .....	144-153
Fuel pumps .....	130-143
Fuel shut-off solenoid .....	156
Fuel tanks & related parts .....	144-153
Fuel taps .....	144-153
Gasket (rear housing) .....	30-35
Gasket set (Engine) .....	80-87
Heating plugs .....	126-129
Hoses clips .....	220
Hydraulic filters .....	260-282
Hydraulic oil cooler .....	221-222
Injector nozzle seal kits .....	163
Injector nozzles .....	157-163
Intake strainer and oil tube .....	102-106, 108
Liners .....	46-57, 60
Lubrication .....	88-125
Main bearing kits .....	13-23
Oil pumps .....	102-107
Oil coolers - filter mounted and engine mounted .....	111-125
Overhaul kit .....	45
Pistons, rings sets & liners .....	46-61
Radiator caps and drain cocks .....	206-215, 217
Radiators & hoses .....	206-219
Reference index .....	298-302
Ring sets .....	46-57, 61
Rocker shaft & arms .....	72-79
Shut-off cable .....	154-155
Thermostat & related parts .....	175-190
Timing gear .....	88-89
Tractor and engine application charts .....	2-8
Valves .....	65-71
"V" Belts .....	191-202
Water pumps .....	164-174

<i>Abrazaderas de manguito .....</i>	<i>220</i>
<i>Balancines .....</i>	<i>72-79</i>
<i>Bielas y piezas relacionadas .....</i>	<i>36-44</i>
<i>Bombas de aceite .....</i>	<i>102-107</i>
<i>Bombas de agua .....</i>	<i>164-174</i>
<i>Bombines de alimentación .....</i>	<i>130-143</i>
<i>Cable de paro .....</i>	<i>154-155</i>
<i>Calentadores .....</i>	<i>126-129</i>
<i>Camisas .....</i>	<i>46-57, 60</i>
<i>Cigüeñales y piezas relacionadas .....</i>	<i>13-20</i>
<i>Cojinetes bancada .....</i>	<i>13-23</i>
<i>Cojinetes de biela .....</i>	<i>13-23, 36-44</i>
<i>Conjunto de cigüeñal .....</i>	<i>21</i>
<i>Corona de volante .....</i>	<i>30-35</i>
<i>Correas .....</i>	<i>191-202</i>
<i>Culatas y piezas anexas .....</i>	<i>65-71</i>
<i>Depósitos gasoil y accesorios relacionados .....</i>	<i>144-153</i>
<i>Eje de equilibrador .....</i>	<i>109-110</i>
<i>Enfriador de aceite del circuito hidráulico .....</i>	<i>221-222</i>
<i>Enfriador soporte del filtro de aceite motor .....</i>	<i>111-125</i>
<i>Filtro de aspiración y tubo a aceite .....</i>	<i>102-106, 108</i>
<i>Filtros .....</i>	<i>223-259</i>
<i>Filtros aire de cabina .....</i>	<i>283-286</i>
<i>Filtros hidráulicos .....</i>	<i>260-282</i>
<i>Grifo depósitos .....</i>	<i>144-153</i>
<i>Índice de las referencias .....</i>	<i>298-302</i>
<i>Juegos de juntas .....</i>	<i>80-87</i>
<i>Juegos de segmentos .....</i>	<i>46-57, 61</i>
<i>Juegos completos de reparación de motor .....</i>	<i>45</i>
<i>Juntas de motor .....</i>	<i>80-87</i>
<i>Juntas traseras de motor .....</i>	<i>30-35</i>
<i>Lubricación .....</i>	<i>88-125</i>
<i>Motores &amp; tractores agrícolas .....</i>	<i>11-12</i>
<i>Tomillos de culata .....</i>	<i>62-64</i>
<i>Pistones, segmentos y camisas .....</i>	<i>46-61</i>
<i>Polea de cigüeñal .....</i>	<i>28</i>
<i>Radiadores y manguitos .....</i>	<i>206-219</i>
<i>Referencias originales cruzadas .....</i>	<i>287-297</i>
<i>Reten de cigüeñal .....</i>	<i>24-28</i>
<i>Solenoides de paro .....</i>	<i>156</i>
<i>Tabla para modelos derivados (Uso sobre piezas de motor) .....</i>	<i>9-10</i>
<i>Tapa de distribución .....</i>	<i>88-89</i>
<i>Tapón depósitos .....</i>	<i>144-153</i>
<i>Tapones de radiador y grifos .....</i>	<i>206-215, 217</i>
<i>Tapones y varillas .....</i>	<i>90-101</i>
<i>Tensores de correas .....</i>	<i>204-205</i>
<i>Termostatos y piezas relacionadas .....</i>	<i>175-190</i>
<i>Toberas de inyector .....</i>	<i>157-163</i>
<i>Toberas de inyector juego de juntas .....</i>	<i>163</i>
<i>Tractores y motores, tabla de aplicaciones .....</i>	<i>2-8</i>
<i>Válvulas .....</i>	<i>65-71</i>
<i>Varilla .....</i>	<i>90-101</i>
<i>Ventilador .....</i>	<i>203</i>
<i>Volantes de motor .....</i>	<i>29</i>

## TRACTOR AND ENGINE APPLICATION CHARTS

### TRACTORES Y MOTORES, TABLA DE APLICACIONES

Model Model.	EdiL EdiL	Engine Motor	Cyl. Cil.	Bore Dia.	Stroke (mm) Carr. (mm)	
310						
510	EU	3152D	3			
710		4202D	4	98.00 (3.86")		
820						
820	USA	3152D				
830	EU	3164D		102.00 (4.02")		
830	USA	3152D		98.00 (3.86")		
840						
920	EU	3179D		106.50 (4.19")		
930						
930VU	ES	3152D		98.00 (3.86")		
940						
940	DE	3164D		102.00 (4.02")		
940V	ES	3179D		106.50 (4.19")		
1020						
1020	EU	3152D		98.00 (3.86")		
1020						
1020	USA	3164D		102.00 (4.02")		
1030						
1030	DE	3152D		98.00 (3.86")		
1030OU						
1030VU	ES	3164D	3	102.00 (4.02")		
1035						
1035EF						
1035EV						
1040	DE	3164D				
1040	ES	3179D		106.50 (4.19")		
1040V						
1120	EU	3164D		102.00 (4.02")		
1130						
1140	DE	3164D				
1140						
1140F	ES	3179D		106.50 (4.19")		
1140V						
1350	EU	3164D				
1445F						
1520	USA	3164D		102.00 (4.02")		
1530						
1550	EU	3164D				
1630	DE	3164D				
1630						
1630OU						
1630VU	ES	3179D		106.50 (4.19")		
1635						
1635EF						
1635EV						
1640	DE	3164D				
1640	ES	4239D	4			
1640F						
1745F	EU	3179D	3	106.50 (4.19")		

Model Model.	EdiL EdiL	Engine Motor	Cyl. Cil.	Bore Dia.	Stroke (mm) Carr. (mm)
1750	EU				
1750V	ES	3179D	3	106.50 (4.19")	
1830	EU	4219D		102.00 (4.02")	
1840	DE				
1840	ES	4239D	4		
1840F					
1845F	EU				
1850	DE				
1850	ES	3179D		106.50 (4.19")	
1850F					
1850N	DE				
1850V	ES		3		
1950	DE				
1950	ES	3179T			
1950F					
1950N	DE				
2000	EU	5201D (Zetor)		102.00 (4.02")	
2020					
2020	USA	4202D		98.00 (3.86")	
2030	DE				
2030	ES				
2030	USA	4219D	4	102.00 (4.02")	
2030OU					
2035	ES				
2035EF					
2040	DE	4239D		106.50 (4.19")	
2040	USA	3164D	3	102.00 (4.02")	
2040					
2040	ES	3179D			
2040F					
2040S	DE	4239D		106.50 (4.19")	
2040S	ES				
2100	EU	6201D (Zetor)		100.00 (3.94")	
2120					
2120	USA	4219D	4	102.00 (4.02")	
2130	DE				
2130	ES	4239D			
2130	USA				
2135	ES			106.50 (4.19")	
2140	DE	4239T			
2140	ES				
2150	USA	3179D	3		
2155					
2200	EU	7201D (Zetor)	4	102.00 (4.02")	
2240	USA	3179D	3		
2250	DE				
2250	ES	4239D	4	106.50 (4.19")	
2250F					
2255	USA	3179D	3		

Part numbers are quoted for reference purposes only.  
Our parts and accessories are not original

**"THE RELIABLE SERVICE"**

Las referencias originales tienen un propósito identificativo. Nuestras piezas no son originales

## TRACTOR AND ENGINE APPLICATION CHARTS TRACTORES Y MOTORES, TABLA DE APLICACIONES

Model Model.	Edit. Edit.	Engine Motores	Cyl. Cil.	Bore Dia.	Stroke (mm) Carr. (mm)	Model Model.	Edit. Edit.	Engine Motores	Cyl. Cil.	Bore Dia.	Stroke (mm) Carr. (mm)					
2300	EU	7701D (Zetor)	4	102.00 (4.02")	120.00 (4.72")	3150	ES	6359D	6	106.50 (4.19")	110.00 (4.33")					
2300	MEX		3150	USA												
2345F	EU	3179T	3	106.50 (4.19")	110.00 (4.33")	3155	USA	6359D	6	106.50 (4.19")	110.00 (4.33")					
2350	USA	4239D	4													
2355		3179T	3													
2355N		4239D	4													
2400	EU	7301T (Zetor)	4			102.00 (4.02")	120.00 (4.72")	3200	EU			4039D	4	106.50 (4.19")	110.00 (4.33")	
2400	MEX			102.00 (4.02")	120.00 (4.72")	3210	4045D PowerTech									
2440	USA	4219D	106.50 (4.19")	110.00 (4.33")	3210X	4039D										
2450	DE	4239D			106.50 (4.19")	110.00 (4.33")	3210X	4045D PowerTech								
2450	ES		4239D	98.00 (3.86")			110.00 (4.33")	3255		USA	6359T					6
2450F	USA	4202D	102.00 (4.02")		110.00 (4.33")	3300		EU	4045D	4	106.50 (4.19")	127.00 (5.00")				
2510		4219D	102.00 (4.02")	110.00 (4.33")	3300X	4045D										
2520	USA	4239D	4	106.50 (4.19")	127.00 (5.00")	3310	4045D PowerTech									
2550		4239D				106.50 (4.19")	110.00 (4.33")						3310X	4045D		
2555CS	USA	4239T	4	106.50 (4.19")	127.00 (5.00")	3310X	4045D PowerTech									
2555TSS		4239T				106.50 (4.19")	110.00 (4.33")	3340	ES	6359D	6	106.50 (4.19")	110.00 (4.33")			
2630	DE	4276D	4	106.50 (4.19")	127.00 (5.00")			3350	DE					6359D	6	106.50 (4.19")
2640						4239D	106.50 (4.19")	110.00 (4.33")	3350	ES	6359T					
2650CS	DE	4239D	4	106.50 (4.19")	110.00 (4.33")	3400			EU	4039T	4	106.50 (4.19")	110.00 (4.33")			
2650TSS		4239T				106.50 (4.19")	110.00 (4.33")	3400X						4039T		
2650	ES	4239T	106.50 (4.19")	110.00 (4.33")	3410			4039T								
2650F	DE	4239T			106.50 (4.19")	110.00 (4.33")	3410X	4045T PowerTech								
2650N			4239T	106.50 (4.19")			110.00 (4.33")	3410X						4045T PowerTech		
2700	EU	1201T (Zetor)	4		105.00 (4.13")	120.00 (4.72")		3640	USA	6404D	6	108.00 (4.25")	121.00 (4.75")			
2750	USA	4239T	4	106.50 (4.19")	110.00 (4.33")	3640S	6359D									
2755		4239T	4	106.50 (4.19")	110.00 (4.33")	3650	6359T									
2800	EU	1001T (Zetor)	4	105.00 (4.13")	120.00 (4.72")	4000	USA	6404D						6	108.00 (4.25")	121.00 (4.75")
2840	USA	6329D	6	102.00 (4.02")	110.00 (4.33")	4010										
2850	DE	4239T	4	106.50 (4.19")		4020			6404D							
2850	ES					4239T			4	106.50 (4.19")	4030	6329D				
2855N	USA	6359D	6	106.50 (4.19")		110.00 (4.33")			4040	EU	6359T	6	102.00 (4.02")			
2940							6359D	6	106.50 (4.19")	110.00 (4.33")	4040	USA	6404D	6	106.50 (4.19")	110.00 (4.33")
2950					6359D		6	106.50 (4.19")	110.00 (4.33")	4040S	EU	6359T	6	108.00 (4.25")	121.00 (4.75")	
2955	USA	4270D	4	108.00 (4.25")	121.00 (4.75")	4040S	EU	6359T	6	106.50 (4.19")	110.00 (4.33")					
3010						4270D	4	108.00 (4.25")	121.00 (4.75")	4050	USA	6466D	6	116.00 (4.56")	121.00 (4.75")	
3020	EU	6329D	6	102.00 (4.02")	110.00 (4.33")	4050	USA	6359T	6	106.50 (4.19")	110.00 (4.33")					
3030						6329D	6	102.00 (4.02")	110.00 (4.33")	4050E	EU	6466T	6	116.00 (4.56")	121.00 (4.75")	
3040	EU	6359D	6	106.50 (4.19")	110.00 (4.33")	4055	USA	6076T	6	116.00 (4.56")	121.00 (4.75")					
3050	USA					6359D	6	106.50 (4.19")	110.00 (4.33")	4230		USA	6404D	6	108.00 (4.25")	121.00 (4.75")
3055	USA	3029D	3	98.00 (3.86")	110.00 (4.33")	4240	EU	6466D	6	116.00 (4.56")	121.00 (4.75")					
3100						3029D	3					98.00 (3.86")	110.00 (4.33")	4240	USA	
3110	EU	6303D	6	98.00 (3.86")	110.00 (4.33")	4240S	EU	6466T	6	116.00 (4.56")	121.00 (4.75")					
3120	6303D					6	98.00 (3.86")	110.00 (4.33")	4250	6466T						
3130	DE	6329D	6	102.00 (4.02")	110.00 (4.33")	4255	USA	6076T	6	108.00 (4.25")	121.00 (4.75")					
3130	ES					6329D	6	102.00 (4.02")	4320	6404T						
3135	ES	6359D	6	106.50 (4.19")	110.00 (4.33")	4350	EU	6466T	6	116.00 (4.56")	121.00 (4.75")					
3140	DE					6359D	6	106.50 (4.19")	110.00 (4.33")	4430		USA	6404T	6	108.00 (4.25")	121.00 (4.75")
3140	ES	6359D	6	106.50 (4.19")	110.00 (4.33")	4440	EU	6466T	6	116.00 (4.56")	121.00 (4.75")					

Part numbers are quoted for reference purposes only.  
Our parts and accessories are not original

**"THE RELIABLE SERVICE"**

Las referencias originales tienen un propósito identificativo. Nuestras piezas no son originales

## TRACTOR AND ENGINE APPLICATION CHARTS

### TRACTORES Y MOTORES, TABLA DE APLICACIONES

Model Model.	Edit. EdiL.	Engine Motor	Cyl. Cil.	Bore Dia.	Stroke (mm) Carr. (mm)	Model Model.	Edit. EdiL.	Engine Motor	Cyl. Cil.	Bore Dia.	Stroke (mm) Carr. (mm)
4440	USA	6466T	6	116.00 (4.56")	121.00 (4.75")	5300N	EU	3029D	3	110.00 (4.33")	110.00 (4.33")
4450						5303	AUS	3029T PowerTech			
4455	MEX	6076T		108.00 (4.25")		5303	EU	3029D			
4455	MEX					3029D PowerTech					
4520	USA	6404T		5303		N. Africa	3029D PowerTech				
4555		6076T		116.00 (4.56")		5303	South Amer.	3029D PowerTech			
4560				6404A		108.00 (4.25")	5303	TUR			
4620		6404A		108.00 (4.25")		5303	USA	3029T PowerTech			
4630						5303	ZA	3029D PowerTech			
4640		6466A		116.00 (4.56")		5310	Asia	3029D			
4650			5310		EU	3029D PowerTech					
4755		6076A	116.00 (4.56")	5310	IND	3029D					
4760				5310	IND	3029D PowerTech					
4840		6466A	116.00 (4.56")	5310	USA	3029T PowerTech					
4850				5310N	EU	3029D PowerTech					
4955		6076A	116.00 (4.56")	5310N	USA	3029D					
4980				5310S	IND		3029D				
5103		AUS	3029T PowerTech	3	106.50 (4.19")	110.00 (4.33")	5315	EU	3029T PowerTech		
5103		IND	3029D								
5103		IND	3029D PowerTech								
5103	USA	3029D PowerTech									
5103	USA	3029T PowerTech									
5103E	IND	3029D									
5103E	IND	3029D PowerTech									
5103S	Asia	3029D									
5103S	IND	3029D									
5103S	IND										
5104	IND	3029D PowerTech									
5105	USA	3029D									
5200	USA										
5203	Asia	3029D									
5203	AUS	3029T PowerTech									
5203	IND	3029D									
5203	IND	3029D PowerTech									
5203	USA	3029T PowerTech									
5203S	IND	3029D									
5203S	IND	3029D									
5204	MEX										
5204	MEX	3029D PowerTech									
5205	USA	3029D									
5210	USA										
5215	EU	3029T PowerTech									
5215F	EU										
5215V	EU	3029D PowerTech									
5220	USA										
5300	EU	3029D									
5300	USA	3029D									
5300N	EU	3029D	4	106.50 (4.19")	110.00 (4.33")	5400	EU	3029T			
5303	AUS	3029T PowerTech									
5303	EU	3029D									
5303	MEX	3029D PowerTech									
5303	N. Africa	3029D PowerTech									
5303	South Amer.	3029D PowerTech									
5303	TUR	3029D PowerTech									
5303	USA	3029T PowerTech									
5303	ZA	3029D PowerTech									
5310	Asia	3029D									
5310	EU	3029D PowerTech									
5310	IND	3029D									
5310	IND	3029D PowerTech									
5310	USA	3029T PowerTech									
5310N	EU	3029D PowerTech									
5310N	USA	3029D									
5310S	IND										
5315	EU	3029T PowerTech									
5315F	EU	3029T PowerTech									
5315V	EU	3029T PowerTech									
5320	USA	3029T									
5320N	USA										
5400	EU	3029T									
5400	USA										
5400N	EU	3029T									
5400N	USA										
5403	AUS	3029T PowerTech									
5403	BR	4045D PowerTech									
5403	EU	3029T									
5403	North Africa										
5403	South Am.	3029T PowerTech									
5403	TUR	3029T PowerTech									
5403	USA	3029T PowerTech									
5403	ZA	3029T PowerTech									
5410	EU	3029T									
5410	IND										
5410	USA	4045D PowerTech									
5410N	EU	3029T PowerTech									
5415	EU	3029T									
5415	MEX										
5415H	MEX	4045D PowerTech									
5415N	MEX										
5420	USA	4045D PowerTech									
5420N	USA										
5425	USA	4045T PowerTech									
5425	MEX	4045D PowerTech									

Part numbers are quoted for reference purposes only.  
 Our parts and accessories are not original

**"THE RELIABLE SERVICE"**

Las referencias originales tienen un propósito identificativo. Nuestras piezas no son originales

## TRACTOR AND ENGINE APPLICATION CHARTS

### TRACTORES Y MOTORES, TABLA DE APLICACIONES

Model	Edit.	Engine	Cyl.	Bore	Stroke (mm)	Model	Edit.	Engine	Cyl.	Bore	Stroke (mm)		
Model.	Edit.	Motor	Cil.	Dia.	Carr. (mm)	Model.	Edit.	Motor	Cil.	Dia.	Carr. (mm)		
5425H			4		127.00 (5.00")	6020SE		4045D PowerTech 4045T PowerTech	4	106.50 (4.19")	127.00 (5.00")		
5425HC	MEX	4045D PowerTech				6100	EU	4045D					
5425N						6100SE							
5425N	USA	4045T PowerTech				6110							
5500	EU	4039T	3	110.00 (4.33")	6110	USA	4045T PowerTech						
5500	USA				6110L	USA	4045H PowerTech E						
5500N	EU				6110SE	EU	4045T PowerTech						
5500N	USA				6120	USA							
5503	EU	3029T PowerTech	3		6120L								
5503	TUR				6120SE								
5510	EU	4045T PowerTech	4	127.00 (5.00")	6130	EU	4045H PowerTech E						
5510	USA					6200							
5510N	EU					6200	USA	4039T			110.00 (4.33")		
5510N	USA					6200L							
5515						6200SE							
5515HC	EU					6205	EU	4045T PowerTech					
5515F						6210							
5515V						6210	USA						
5520	USA					6210L							
5520N						6210SE	EU						
5525						6215	EU		4045T PowerTech				
5525N						6215	USA						
5603	BR	4045D PowerTech	3	110.00 (4.33")	6220	EU	4045H PowerTech E						
5603	USA	4045T PowerTech			6220	USA							
5605	BR	4045D PowerTech			6220L								
5610	ASIA	3029T PowerTech			6220SE								
5610	IND				6225	EU							
5615	MEX	4045D PowerTech	4	127.00 (5.00")	6230		4045H PowerTech E						
5615	TUR	4045D PowerTech			6230	USA							
5615F	EU	4045T PowerTech			6230PR	EU	4045H PowerTech Plus						
5615V					4045D PowerTech	6230PR	USA	4045H PowerTech E 4045H PowerTech Plus					
5620		4045D PowerTech					6300	EU	4039T				
5625	USA	4045T PowerTech					6300	USA					
5625	MEX	4045D PowerTech					6300L						
5625HC	MEX						6300SE	EU					
5705	BR	4045T PowerTech			4	127.00 (5.00")	6310						
5715	MEX							6310					
5715	TUR							6310L	USA	4045T PowerTech			
5715HC	MEX							6310S					
5720	EU			6310SE			EU						
5725	MEX			6320									
5725H				6320			USA	4045H PowerTech					
5725HC				6320L									
5725N				6320SE			EU	4045T PowerTech					
5820	EU		4045D PowerTech										
6010				4045D PowerTech									
6010SE				4045D PowerTech									
6020			4045T PowerTech										

Part numbers are quoted for reference purposes only.  
 Our parts and accessories are not original

**"THE RELIABLE SERVICE"**

Las referencias originales tienen un propósito identificativo. Nuestras piezas no son originales

## TRACTOR AND ENGINE APPLICATION CHARTS

### TRACTORES Y MOTORES, TABLA DE APLICACIONES

Model	Edit.	Engine	Cyl.	Bore	Stroke (mm)	Model	Edit.	Engine	Cyl.	Bore	Stroke (mm)	
Model.	Edit.	Motor	Ch.	Dia.	Carr. (mm)	Model.	Edit.	Motor	Ch.	Dia.	Carr. (mm)	
6320SE		4045T PowerTech	4	106.50 (4.19")	127.00 (5.00")	6515		6068D PowerTech 6068H PowerTech	6	106.50 (4.19")	127.00 (5.00")	
6320SE		4045H PowerTech				6520	EU	6068D PowerTech 6068T PowerTech 6068H PowerTech				
6325	EU					6520L	USA	4045H PowerTech	4			
6330		4045H PowerTech E				6520SE		6068D PowerTech 6068T PowerTech 6068H PowerTech				
6330	USA					6525	EU	6068H PowerTech E				
6330PR	EU	4045H PowerTech Plus				6530						
6330PR	USA	4045H PowerTech E 4045H PowerTech Plus				6530PR		6068H PowerTech Plus				
6400	EU	4045T				6600		6059T				
6400	USA						6603	MEX				
6400L							6603	USA				
6400SE	EU						6605	BR				
6400SP							6605	USA	6068T PowerTech			
6400SP	MEX						6610					
6403							6610SE	EU				
6403	USA						6615	BR				
6405	BR						6615	USA	6068H PowerTech			
6405	USA						6620		6068T PowerTech 6068H PowerTech			
6410	EU					4045T PowerTech	6620SE	EU	6068T PowerTech 6068H PowerTech			
6410	USA						6630					6068H PowerTech E
6410L							6630PR		6068H PowerTech Plus			
6410S	USA			6715	USA	6068T PowerTech 6068H PowerTech	6					
6410SE	EU			6800		6068T						
6415	BR			6810		6068T PowerTech						
6415	MEX			6820		6068H PowerTech						
6415	USA			6830		6068H PowerTech E						
6420	EU			6830PR		6068H PowerTech Plus						
6420	USA		4045H PowerTech	6900		6068T						
6420L			6910	EU	6068T PowerTech							
6420S			6910S									
6420SE	EU	4045H PowerTech E	6920		6068H PowerTech							
6425		4045H PowerTech E	6920S									
6425	MEX	4045T PowerTech	6920SE		6068T PowerTech							
6430	EU	4045H PowerTech E	6930		6068H PowerTech E							
6430	USA		6930PR		6068H PowerTech Plus							
6430PR	EU	4045H PowerTech Plus	7020		6404A	108.00 (4.25")						
6430PR	USA	4045H PowerTech E 4045H PowerTech Plus	7130		6068H PowerTech E							
6500			4045T	7130PR	USA	6068H PowerTech E 6068H PowerTech Plus	106.50 (4.19")					
6500L			7200		6059T	110.00 (4.33)						
6505		6068D PowerTech	7210		6068T PowerTech	127.00 (5.00")						
6506	EU	6068D										
6510		6068D PowerTech										
6510L	USA	4045T PowerTech										
6510S												
6510SE	EU	6068D PowerTech										

Part numbers are quoted for reference purposes only.  
 Our parts and accessories are not original

**"THE RELIABLE SERVICE"**

Las referencias originales tienen un propósito identificativo. Nuestras piezas no son originales

## TRACTOR AND ENGINE APPLICATION CHARTS TRACTORES Y MOTORES, TABLA DE APLICACIONES

Model	Edt.	Engine	Cyl.	Bore	Stroke (mm)	Model	Edt.	Engine	Cyl.	Bore	Stroke (mm)		
Model.	Edt.	Motor	Cil.	Dia.	Carr. (mm)	Model.	Edt.	Motor	Cil.	Dia.	Carr. (mm)		
7220		6068T PowerTech	6	106.50 (4.19")	127.00 (5.00")	7815	BR	6068H PowerTech	6	106.50 (4.19")	127.00 (5.00")		
7230		6068H PowerTech E				7820	EU	6068H PowerTech					
7230PR		6068H PowerTech E 6068H PowerTech Plus				7820		6081H PowerTech					
7320	USA	6068T PowerTech				7830		6068H PowerTech Plus					
7330		6068H PowerTech E				7920		6081H PowerTech					
7330PR		6068H PowerTech E 6068H PowerTech Plus				7930		6068H PowerTech Plus					
7400		6068T				8100		6076H					
7405	MEX	6068T PowerTech				8100		116.00 (4.56")				121.00 (4.75")	
7410	USA					8100T							
7420	MEX					8110							
7420	USA					8110T							
7420	USA	6068H PowerTech				8120		116.00 (4.56")				128.50 (5.06")	
7425	MEX	6068T PowerTech				8120T							
7430PR	EU	6068H PowerTech Plus				8130							6090H PowerTech Plus
7430PR	USA	6068H PowerTech E 6068H PowerTech Plus				8200							6076H
7500	MEX	6068T				8200		116.00 (4.56")				128.50 (5.06")	
7505	BR	6068T PowerTech				8200T							
7510	USA					8210							
7515	BR					8210T							
7520	MEX					8220							
7520	USA					8220T							
7525	MEX					6068H PowerTech	8230					118.40 (4.66)	136.00 (5.35)
7530PR	EU					6068H PowerTech Plus	8230T						
7600						6068T	8300					116.00 (4.56")	121.00 (4.75")
7610						6068T PowerTech	8300						
7630	USA					6068H PowerTech Plus	8300T						
7700		6076T				8310							
7710		6081T PowerTech				8310T		116.00 (4.56")				128.50 (5.06")	
7710		6081H PowerTech				8320							
7715	BR	6068H PowerTech				8320T							
7720		6068H PowerTech	8330		118.40 (4.66)	136.00 (5.35)							
7730	USA	6068H PowerTech Plus	8330T										
7800		6076T	8400		116.00 (4.56")	121.00 (4.75")							
7810	BR	6068T PowerTech	8400T										
7810	USA	6081T PowerTech	8410										
7810	USA	6081H PowerTech	8410T										
			8420		116.00 (4.56")	128.50 (5.06")							
			8420T										
			8430				6466A						
			8430T				6090H PowerTech Plus						
			8440		118.40 (4.66)	136.00 (5.35)							
			8450				6466A						

Part numbers are quoted for reference purposes only.  
 Our parts and accessories are not original

**"THE RELIABLE SERVICE"**

Las referencias originales tienen un propósito identificativo. Nuestras piezas no son originales



## TRACTOR AND ENGINE APPLICATION CHARTS

### TRACTORES Y MOTORES, TABLA DE APLICACIONES

Model <i>Model.</i>	Edit. <i>Edit.</i>	Engine <i>Motor</i>	Cyl. <i>Cil.</i>	Bore <i>Dia.</i>	Stroke (mm) <i>Carr. (mm)</i>
8520	USA	6081H PowerTech	6	116.00 (4.56")	128.50 (5.06")
8520T				118.40 (4.66)	136.00 (5.35)
8530		6090H PowerTech Plus		116.00 (4.56")	121.00 (4.75")
8560		6076H		128.50 (5.06")	
8570					
9100		6081H PowerTech		136.00 (5.35)	
9120					
9230		6090H PowerTech Plus		118.40 (4.66)	136.00 (5.35)

Code	Country/Region
AUS	Australia
BR	Brazil
DE	Germany
ES	Spain
EU	Europe
IND	India
MEX	Mexico
TUR	Turkey
USA	USA & Canada
ZA	South Africa

**DERIVATIVE APPLICATION CHART (APPROPRIATE TO ENGINE PARTS)**  
**TABLA PARA MODELOS DERIVADOS (USO SOBRE PIEZAS DE MOTOR)**

Tractors <i>Tractores</i>	Engine <i>Motor</i>	Derivatives <i>Derivados</i>
<b>3 cylinder engines / Motores 3 cilindros</b>		
820	3152D	820 (EU), 820 (USA)
930	3164D	930, 930VU
940	3179D	940 (DE), 940 (ES), 940V
1030	3164D	1030 (DE), 1030 (ES), 1030OU, 1030VU
1035		1035, 1035EF, 1035EV
1040	3179D	1040 (DE), 1040 (ES), 1040V
1140		1140 (DE), 1140 (ES), 1140F, 1140V
1630		1630 (DE), 1630 (ES), 1630OU, 1630VU
1635		1635, 1635EF, 1635EV
1750		1750, 1750V
1850		1850 (DE), 1850 (ES), 1850F, 1850V
1950		3179T
5103 (IND)	3029D	5103 (IND), 5103E (IND), 5103S (IND)
5103 (IND)	3029D PowerTech	5103 (IND), 5103E (IND), 5103S (IND)
5203 (IND)	3029D	5203 (IND), 5203S (IND)
5203 (IND)	3029D PowerTech	5203 (IND), 5203S (IND)
5204		5204 (IND), 5204 (MEX)
5215	3029T PowerTech	5215, 5215F, 5215V
5300	3029D	5300 (EU), 5300 (USA)
5315	3029T PowerTech	5315, 5315F, 5315V
5400	3029T	5400 (EU), 5400 (USA)
5400N	3029T	5400N (EU), 5400N (USA)
5403	3029T PowerTech	5403 (AUS), 5403 (EU), 5403 (North Africa), 5403 (South America), 5403 (TUR), 5403 (USA), 5403 (ZA)
5503		5503 (EU), 5503 (TUR)
5610		5610 (Asia), 5610 (IND)
<b>4 cylinder engines / Motores 4 cilindros</b>		
1640	4239D	1640 (DE), 1640 (ES), 1640F
1840		1840 (DE), 1840 (ES), 1840F
2020	4202D	2020 (EU), 2020 (USA)
2030	4219D	2030 (DE), 2030 (ES), 2030 (USA), 2030OU
2030 (EU)		2030 (DE), 2030 (ES), 2030OU
2035		2035, 2035EF
2040 (EU)	4239D	2040 (DE), 2040 (ES), 2040F
2040S		2040S (DE), 2040S (ES)
2120	4219D	2120 (EU), 2120 (USA)
2130	4239D	2130 (DE), 2130 (ES), 2130 (USA)
2130 (EU)		2130 (DE), 2130 (ES)
2140	4239T	2140 (DE), 2140 (ES)
2250	4239D	2250 (DE), 2250 (ES), 2250F
2450		2450 (DE), 2450 (ES), 2450F
2850		2850 (DE), 2850 (ES)
5415	4045D PowerTech	5415 (EU), 5415 (MEX), 5415H
5415 (MEX)		5415 (MEX), 5415H
5425 (MEX)		5425 (MEX), 5425H (Orchard), 5425HC
5500	4039T	5500 (EU), 5500 (USA)
5500N		5500N (EU), 5500N (USA)
5510	4045T PowerTech	5510 (EU), 5510 (USA)
5510N		5510N (EU), 5510N (USA)

Part numbers are quoted for reference purposes only.  
 Our parts and accessories are not original

**"THE RELIABLE SERVICE"**

Las referencias originales tienen un propósito identificativo. Nuestras piezas no son originales

**DERIVATIVE APPLICATION CHART (APPROPRIATE TO ENGINE PARTS)**  
**TABLA PARA MODELOS DERIVADOS (USO SOBRE PIEZAS DE MOTOR)**

Tractors <i>Tractores</i>	Engine <i>Motor</i>	Derivatives <i>Derivados</i>
<b>4 cylinder engines / Motores 4 cilindros</b>		
5515	4045T PowerTech	5515, 5515HC, 5515F, 5515V
5615 (EU)		5615F, 5615V
5625 (MEX)	4045D PowerTech	5625 (MEX), 5625HC
5715	4045T PowerTech	5715 (MEX), 5715 (TUR), 5715HC
5725		5725, 5725H (Orchard), 5725HC
6110		6110 (EU), 6110 (USA)
6120		6120 (EU), 6120 (USA)
6200	4039T	6200 (EU), 6200 (USA)
6210		6210 (EU), 6210 (USA)
6215	4045T PowerTech	6215 (EU), 6215 (USA)
6220		6220 (EU), 6220 (USA)
6230	4045H PowerTech E	6230 (EU), 6230 (USA)
6230PR	4045H PowerTech Plus	6230PR (EU), 6230PR (USA)
6300	4039T	6300 (EU), 6300 (USA)
6310	4045T PowerTech	6310 (EU), 6310 (USA)
6320	4045H PowerTech	6320 (EU), 6320 (USA)
6330	4045H PowerTech E	6330 (EU), 6330 (USA)
6330PR	4045H PowerTech Plus	6330PR (EU), 6330PR (USA)
6400	4045T	6400 (EU), 6400 (USA)
6403		6403 (MEX), 6403 (USA)
6405	4045T PowerTech	6405 (BR), 6405 (USA)
6410		6410 (EU), 6410 (USA)
6420	4045H PowerTech	6420 (EU), 6420 (USA)
6430	4045H PowerTech E	6230 (EU), 6230 (USA)
6430PR	4045H PowerTech Plus	6430PR (EU), 6430PR (USA)
<b>6 cylinder engines / Motores 6 cilindros</b>		
3130	6329D	3130 (DE), 3130 (ES)
3140		3140 (DE), 3140 (ES)
3150	6359D	3150 (ES), 3150 (USA)
3350		3350 (DE), 3350 (ES)
4240	6466D	4240 (EU), 4240 (USA)
4440	6466T	4440 (EU), 4440 (USA)
4455	6076T	4455 (MEX), 4455 (USA)
6603	6068T PowerTech	6603 (MEX), 6603 (USA)
6605		6605 (BR), 6605 (USA)
7420		7420 (MEX), 7420 (USA)
7430PR	4045H PowerTech Plus	7430PR (EU), 7430PR (USA)
7520	6068T PowerTech	7520 (MEX), 7520 (USA)

Code	Country/Region
AUS	Australia
BR	Brazil
DE	Germany
ES	Spain
EU	Europe

Code	Country/Region
IND	India
MEX	Mexico
TUR	Turkey
USA	USA & Canada
ZA	South Africa

Part numbers are quoted for reference purposes only.  
 Our parts and accessories are not original

**"THE RELIABLE SERVICE"**

Las referencias originales tienen un propósito identificativo. Nuestras piezas no son originales

**ENGINES & AGRICULTURAL TRACTORS**  
**MOTORES & TRACTORES AGRÍCOLAS**

Engine Motor	Bore (mm) Diámetro (mm)	Stroke (mm) Carrera (mm)	Tractors Tractores
<b>3 cylinder engines / Motores 3 cilindros</b>			
<b>300 Series cubic inch / Series 300 imperial</b>			
3152D	98.00 (3.86")	110.00 (4.33")	310, 510, 820 (EU), 820 (USA), 830 (USA), 920, 1020 (EU ↔085099), 1020 (USA)
3164D	102.00 (4.02")	110.00 (4.33")	830 (EU), 930, 930VU, 1020 (EU 085100↔), 1030 (DE), 1030 (ES), 1030OU, 1030VU, 1035, 1035EF, 1035EV, 1120, 1130, 1520, 1530, 2040 (USA ↔349999)
3179D	106.50 (4.19")	110.00 (4.33")	840, 940 (DE), 940 (ES), 940V, 1040 (DE), 1040 (ES), 1040V, 1140 (DE), 1140 (ES), 1140F, 1140V, 1350, 1445F, 1550, 1630 (DE), 1630 (ES), 1630OU, 1630VU, 1635, 1635EF, 1635EV, 1745F, 1750, 1750V, 1845F, 1850 (DE), 1850 (ES), 1850F, 1850N, 1850V, 2040 (USA 350000↔), 2150, 2155, 2240, 2255
3179T	106.50 (4.19")	110.00 (4.33")	1950 (DE), 1950 (ES), 1950F, 1950N, 2345F, 2355N
<b>300 Series Litre / Series 300 metrica</b>			
3029D	106.50 (4.19")	110.00 (4.33")	3100, 3110, 5103 (IND ↔138432), 5103E (IND ↔138458), 5103S (Asia), 5103S (IND ↔138177), 5200, 5203 (Asia), 5203 (IND ↔137677), 5203S (IND↔137895), 5300 (EU), 5300 (USA), 5300N, 5303 (MEX ↔138121), 5310 (Asia), 5310 (IND ↔137672)
3029T	106.50 (4.19")	110.00 (4.33")	5400 (EU), 5400 (USA), 5400N (EU), 5400N (USA)
<b>350 Series PowerTech (2.9L) / Series 350 PowerTech (2,9L)</b>			
3029D	106.50 (4.19")	110.00 (4.33")	5103 (IND 138433↔), 5103 (USA ↔140838), 5103E (IND 138459 ↔), 5103S (IND 138178↔), 5104, 5105, 5203 (IND 137678↔), 5203 (USA ↔140336), 5203S (IND 137896↔), 5204 (IND), 5204 (MEX), 5205, 5210, 5220, 5303 (MEX 138122↔), 5303 (North Africa), 5303 (South America), 5303 (TUR), 5303 (ZA), 5310 (EU), 5310 (IND 137673↔), 5310N (EU)
3029T	106.50 (4.19")	110.00 (4.33")	5103 (AUS), 5103 (USA 106597↔), 5203 (AUS), 5203 (USA 106478↔), 5215, 5215F, 5215V, 5303 (AUS), 5303 (EU), 5303 (USA), 5310 (USA), 5310N (USA), 5310S, 5315, 5315F, 5315V, 5320, 5320N, 5403 (AUS), 5403 (EU), 5403 (North Africa), 5403 (South America), 5403 (TUR), 5403 (USA), 5403 (ZA), 5410 (EU), 5410 (IND), 5410N, 5503 (EU), 5503 (TUR), 5610 (Asia), 5610 (IND)
<b>4 cylinder engines / Motores 4 cilindros</b>			
<b>300 Series cubic inch / Series 300 imperial</b>			
4202D	98.00 (3.86")	110.00 (4.33")	710, 2020 (EU), 2020 (USA), 2510
4219D	102.00 (4.02")	110.00 (4.33")	1830, 2030 (DE), 2030 (ES), 2030 (USA), 2030OU, 2035, 2035EF, 2120 (EU), 2120 (USA), 2440, 2520
4239D	106.50 (4.19")	110.00 (4.33")	1640 (DE), 1640 (ES), 1640 F, 1840 (DE), 1840 (ES), 1840F, 2040 (DE), 2040 (ES), 2040F, 2040S (DE), 2040S (ES), 2130 (DE), 2130 (ES), 2130 (USA), 2135, 2250 (DE), 2250 (ES), 2250F, 2350, 2355, 2450 (DE), 2450 (ES), 2450F, 2550, 2555CS, 2650CS
4239T	106.50 (4.19")	110.00 (4.33")	2140 (DE), 2140 (ES), 2555TSS, 2650 (ES), 2650F, 2650N, 2650TSS, 2750, 2755, 2850 (DE), 2850 (ES), 2855N
4276D	106.50 (4.19")	127.00 (5.00")	2630, 2640
<b>300 Series Litre / Series 300 metrica</b>			
4039D	106.50 (4.19")	110.00 (4.33")	3200, 3200X, 3210, 3210X
4039T	106.50 (4.19")	110.00 (4.33")	3400, 3400X, 3410, 3410X, 5500 (EU), 5500 (USA), 5500N (EU), 5500N (USA), 6200 (EU), 6200 (USA), 6200L, 6200SE, 6300 (EU), 6300 (USA), 6300L, 6300SE
4045D	106.50 (4.19")	127.00 (5.00")	3300, 3300X, 3310, 3310X, 6100, 6100SE
4045T	106.50 (4.19")	127.00 (5.00")	6400 (EU), 6400 (USA), 6400L, 6400SE, 6400SP (TP001), 6500, 6500L
<b>350 Series PowerTech (4.5L) / Series 350 PowerTech (4.5L)</b>			
4045D	106.50 (4.19")	127.00 (5.00")	3210, 3210X, 3310, 3310X, 5403 (BR), 5410 (USA), 5415 (EU), 5415 (MEX), 5415H, 5415N, 5420, 5420N, 5425 (MEX), 5425H, 5425HC, 5425N (MEX), 5603 (BR), 5605, 5615 (MEX), 5615 (TUR), 5620, 5625 (MEX), 5625HC, 6010, 6010SE, 6020 (↔799999), 6020SE (↔799999)
4045T	106.50 (4.19")	127.00 (5.00")	3410, 3410X, 5425 (USA), 5425N (USA), 5510 (EU), 5510 (USA), 5510N (EU), 5510N (USA), 5515, 5515HC, 5515F, 5515V, 5520, 5520N, 5525, 5525N, 5603 (USA), 5615F, 5615V, 5625 (USA), 5705, 5715 (MEX), 5715 (TUR), 5715HC, 5720, 5725, 5725H, 5725HC, 5725N, 5820, 6020 (800000↔), 6020SE (800000↔), 6110 (EU), 6110 (USA), 6110L, 6110SE, 6120 (EU), 6120 (USA), 6120L, 6120SE, 6205, 6210 (EU), 6210 (USA), 6210L, 6210SE, 6215 (EU), 6215 (USA), 6220 (EU), 6220 (USA), 6220L, 6220SE, 6310 (EU), 6310 (USA), 6310L, 6310S, 6310SE, 6320SE (↔799999), 6400SP (TP054), 6403 (MEX), 6403 (USA), 6405 (BR), 6405 (USA), 6410 (EU), 6410 (USA), 6410L, 6410S, 6410SE, 6415 (BR), 6415 (MEX), 6425 (MEX), 6510L, 6510S
4045H	106.50 (4.19")	127.00 (5.00")	6320 (EU), 6320 (USA), 6320L, 6320SE (800000↔), 6415 (USA), 6420 (EU), 6420 (USA), 6420L, 6420S, 6420SE, 6520L

Part numbers are quoted for reference purposes only.  
Our parts and accessories are not original

**"THE RELIABLE SERVICE"**

Las referencias originales tienen un propósito identificativo. Nuestras piezas no son originales

## ENGINES & AGRICULTURAL TRACTORS MOTORES & TRACTORES AGRÍCOLAS

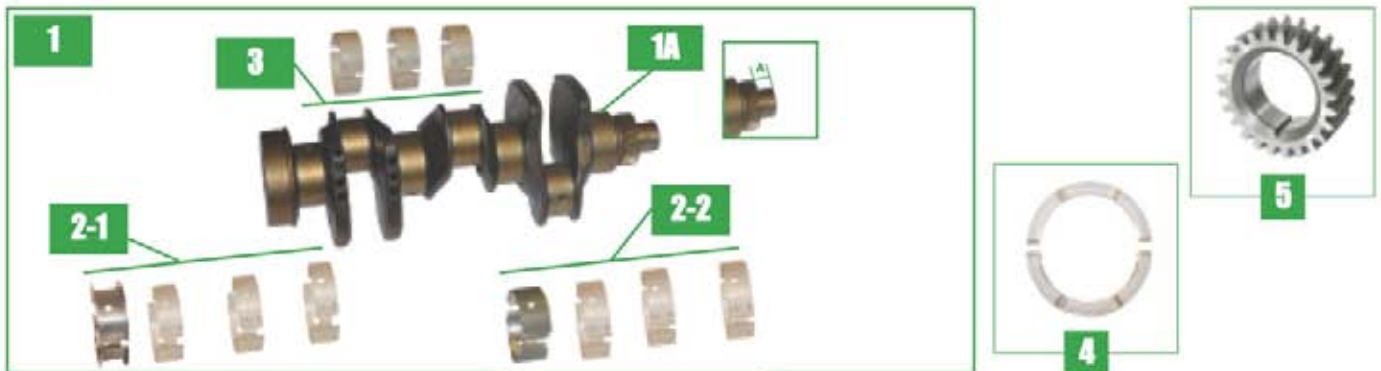
Engine Motor	Bore (mm) Diámetro (mm)	Stroke (mm) Carrera (mm)	Tractors Tractores
<b>4 cylinder engines / Motores 4 cilindros</b>			
<b>Tier 3 PowerTech E (4.5L) / Tier 3 PowerTech E (4.5L)</b>			
4045H	106.50 (4.19")	127.00 (5.00")	6130, 6225, 6230 (EU), 6230 (USA), 6230PR (USA), 6325, 6330 (EU), 6330 (USA), 6330PR (USA), 6425 (EU), 6430 (EU), 6430 (USA), 6430PR (USA)
<b>Tier 3 PowerTech Plus (4.5L) / Tier 3 PowerTech Plus (4.5L)</b>			
4045H	106.50 (4.19")	127.00 (5.00")	6230PR (EU), 6230PR (USA), 6330PR (EU), 6330PR (USA), 6430PR (EU), 6430PR (USA)
<b>Série 400 impériale / 400 Series cubic inch</b>			
4270D	108.00 (4.25")	121.00 (4.75")	3010, 3020
<b>6 cylinder engines / Motores 6 cilindros</b>			
<b>300 Series cubic inch / Series 300 imperial</b>			
6303D	98.00 (3.86")	110.00 (4.33")	3120
6329D	102.00 (4.02")	110.00 (4.33")	2840, 3030, 3130 (DE), 3130 (ES), 3135, 4030
6359D	108.50 (4.19")	110.00 (4.33")	2940, 2950, 2955, 3040, 3050, 3055, 3140 (DE), 3140 (ES), 3150 (ES), 3150 (USA), 3155, 3340, 3350 (DE), 3350 (ES ⇄ 155860), 3640
6359T	106.50 (4.19")	110.00 (4.33")	3255, 3350 (ES 761166 ⇄), 3640S, 3650, 4040 (EU), 4040S, 4050
<b>300 Series Litre / Series 300 metrica</b>			
6059T	106.50 (4.19")	110.00 (4.33")	6600, 7200
6068D	106.50 (4.19")	127.00 (5.00")	6506
6068T	106.50 (4.19")	127.00 (5.00")	6800, 6900, 7400, 7500 (⇄ 001336), 7600
<b>350 Series PowerTech (6.8L) / Series 350 PowerTech (6.8L)</b>			
6068D	106.50 (4.19")	127.00 (5.00")	6505, 6510, 6510SE, 6515 (⇄ 799999), 6520 (⇄ 799999), 6520SE (⇄ 799999)
6068T	106.50 (4.19")	127.00 (5.00")	6520 (⇄ 799999), 6520SE (⇄ 799999), 6603 (MEX), 6603 (USA), 6605 (BR), 6605 (USA), 6610, 6610SE, 6615 (BR), 6620 (⇄ 799999), 6620SE (⇄ 799999), 6715 (⇄ 799999), 6810, 6910, 6910S, 6920SE, 7210, 7220, 7320, 7405, 7410, 7420 (MEX), 7420 (USA W/O Cab), 7425, 7500 (001337⇄), 7505, 7510, 7515, 7520 (MEX), 7520 (USA W/O Cab), 7525, 7610, 7810 (BR)
6068H	106.50 (4.19")	127.00 (5.00")	6515 (800000⇄), 6520 (800000⇄), 6520SE (800000⇄), 6615 (USA), 6620, 6620SE (800000⇄), 6715 (800000⇄), 6820, 6920, 6920S, 7220, 7320, 7420 (USA W/Cab), 7520 (USA W/Cab), 7715, 7720, 7815, 7820 (EU)
<b>Tier 3 PowerTech E (6.8L) / Tier 3 PowerTech E (6.8L)</b>			
6068H	106.50 (4.19")	127.00 (5.00")	6525, 6530, 6630, 6830, 6930, 7130, 7130PR, 7230, 7230PR, 7330, 7330PR, 7430PR (USA)
<b>Tier 3 PowerTech Plus (6.8L) / Tier 3 PowerTech Plus (6.8L)</b>			
6068H	106.50 (4.19")	127.00 (5.00")	6530PR, 6630PR, 6830PR, 6930PR, 7130PR, 7230PR, 7330PR, 7430PR (EU), 7430PR (USA), 7530PR, 7630, 7730, 7830, 7930
<b>400 Series cubic inch / Series 400 imperial</b>			
6404D	108.00 (4.25")	121.00 (4.75")	4000, 4010, 4020, 4040 (USA), 4230
6404T	108.00 (4.25")	121.00 (4.75")	4320, 4430, 4520
6404A	108.00 (4.25")	121.0 (4.75")	4620, 4630, 7020
6466D	116.00 (4.56")	121.00 (4.75")	4050, 4240 (EU), 4240 (USA)
6466T	116.00 (4.56")	121.00 (4.75")	4050E, 4240S, 4250, 4350, 4440 (EU), 4440 (USA), 4450, 4455 (MEX)
6466A	116.00 (4.56")	121.00 (4.75")	4640, 4650, 4840, 4850, 8430, 8440, 8450
<b>400 Series Litre / Series 400 metrica</b>			
6076T	116.00 (4.56")	121.00 (4.75")	4055, 4255, 4455 (MEX), 4455 (USA), 4555, 4560, 7700, 7800
6076A	116.00 (4.56")	121.00 (4.75")	4755, 4760, 4955, 4960
6076H	116.00 (4.56")	121.00 (4.75")	8100 (⇄ 009999), 8200 (⇄ 009999), 8300 (⇄ 009999), 8560, 8570
<b>450 Series PowerTech (8.1L) / Series 450 PowerTech (8.1L)</b>			
6081T	116.00 (4.56")	128.50 (5.06")	7710 (⇄ 089999) 7810 (USA ⇄ 089999)
6081H	116.00 (4.56")	128.50 (5.06")	7710 (090000⇄), 7810 (USA 090000⇄), 7820 (USA), 7920, 8100 (010000⇄), 8100T, 8110, 8110T, 8120, 8120T, 8200 (010000⇄), 8200T, 8210, 8210T, 8220, 8220T, 8300 (010000⇄), 8300T, 8310, 8310T, 8320, 8320T, 8400, 8400T, 8410, 8410T, 8420, 8420T, 8520, 8520T, 9100, 9120
<b>Tier 3 PowerTech Plus (9.0L) / Tier 3 PowerTech Plus (9.0L)</b>			
6090H	118.40 (4.66")	136.00 (5.35")	8130, 8230, 8230T, 8330, 8330T, 8430, 8430T, 8530 9230

Part numbers are quoted for reference purposes only.  
 Our parts and accessories are not original

**"THE RELIABLE SERVICE"**

Las referencias originales tienen un propósito identificativo. Nuestras piezas no son originales

## CRANKSHAFT & RELATED PARTS CIGÜEÑALES Y PIEZAS RELACIONADAS



Tractors Tractores	Engines Motores	Crankshaft Cigüeñal	Main bearing kit Cojinetes bancada	Conrod bear kit. Cojinetes biela	Washer Kit Arandela axial	Gear Piñón
		1	2	3	4	5
<b>3 cylinder engines / Motores 3 cilindros</b>						
310, 510, 820, 830 (USA), 920 1020 (EU↔085099) 1020 (USA)	3152D					
830 (EU), 930 1020 (EU↔085100↔), 1030,1035,1120, 1130, 1520,1530 2040 (USA↔349999)	3164D	<b>26/1-23K</b> (RE521349) Short nose kit Punta corta				
840, 940 1040,1140,1630,1635 2040 (USA↔350000↔), 2150, 2240, 2255						<b>26/12-9</b> (T20094) Helical gear Piñón dentado helicoidal Z = 24
1350,1550,1750,1850,1850N, 2155	3179D	<b>26/1-23K</b> (RE521349) Short nose kit Punta corta <b>(A)</b> 35mm (1.38")	<b>26/2-12 (2-1)</b> (B920) (3 x <b>26/7-12</b> (RE27352) + 1 x <b>26/8-12</b> (RE521350)) With flange Con pestaña	<b>26/3-12</b> (B930) (3 x <b>26/9-12</b> (RE27348))	<b>26/6-11</b> (RE13571) Standard	
1445F,1745F,1845F 1950,1950N, 2345F, 2355N	3179T	<b>26/1-85K</b> (RE521348) Long nose kit Punta larga <b>(A)</b> 60mm (2.36")	<b>26/2-120 (2-2)</b> (B921) (3 x <b>26/7-12</b> (RE27352) + 1 x <b>26/8-15</b> (RE60350)) Less flange Sin pestaña		<b>26/6-12</b> (AR95932) +0.18mm (0.007")	
3100, 3110 5103 (IND), 5103S (Asia), 5200, 5203 (Asia), 5203 (IND), 5300, 5300N, 5303 (MEX), 5310 (Asia), 5310 (IND)	3029D					
5400, 5400N	3029T					
5103 (IND), 5103 (USA), 5104, 5105, 5203 (IND), 5203 (USA), 5204, 5205, 5210, 5220, 5303 (MEX), 5303 (North Africa), 5303 (South America), 5303 (TUR), 5303 (ZA), 5310 (EU), 5310 (IND), 5310N (EU)	3029D Power Tech	<b>26/1-85K</b> (RE521348) Long nose kit Punta larga				<b>26/12-90</b> (R100850) Spur gear Piñón dentado recto Z = 24
5103 (AUS), 5103 (USA), 5203 (AUS), 5203 (USA), 5215, 5303 (AUS), 5303 (EU), 5303 (USA), 5310 (USA), 5310N (USA), 5310S, 5315, 5320, 5320N, 5403, 5410 (EU), 5410 (IND), 5410N, 5503, 5610	3029T Power Tech					

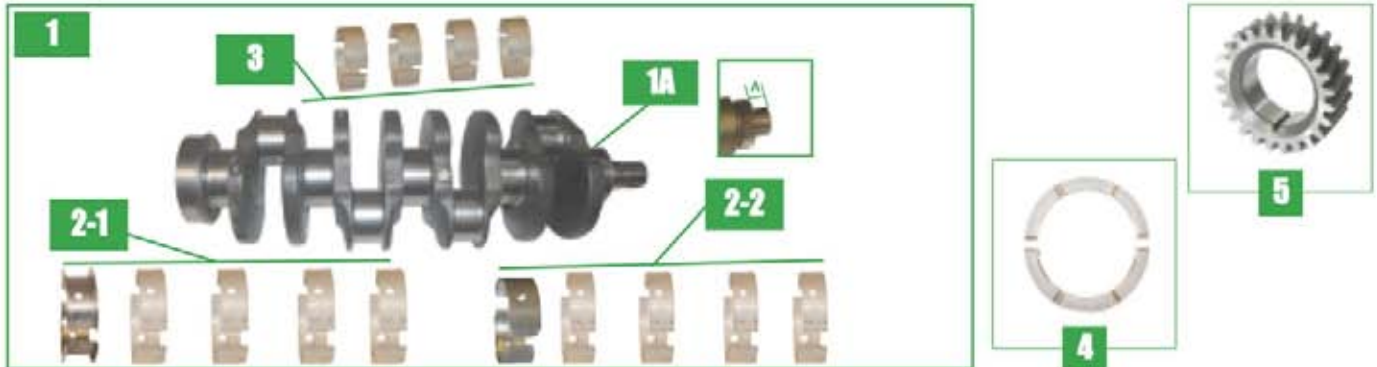
(NB) : Crankshaft kit see page 21 for components **26/1-xxK** =Conjunto de cigüeñal, ver página 21 para componentes / **26/1-xx** =Only crankshaft / Cigüeñal solamente  
 Main and conrod bearing sets are available in 0.010"- 0.020"- 0.030" undersize. Please add the suffix A, B, or C respectively. See page 22-23. Cojinetes de bancada y de biela  
 disponibles en las siguientes sobremedidas: 0.254mm (0.010"), 0.508mm (0.020") and 0.762mm (0.030") ver pagina 22-23. Adjuntar los prefijos A, B, o C respectivamente.

Part numbers are quoted for reference purposes only.  
 Our parts and accessories are not original

**"THE RELIABLE SERVICE"**

Las referencias originales tienen un propósito identificativo. Nuestras piezas no son originales.

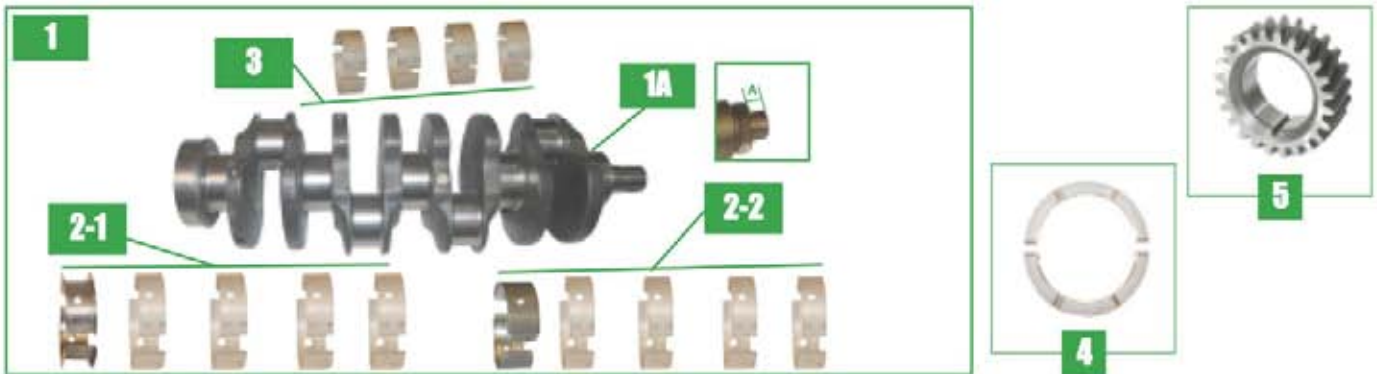
## CRANKSHAFT & RELATED PARTS CIGÜEÑALES Y PIEZAS RELACIONADAS



Tractors Tractores	Engines Motores	Crankshaft Cigüeñal	Main bearing kit Cojinetes bancada	Conrod bear kit Cojinetes biela	Washer Kit Arandela axial	Gear Piñón
		1	2	3	4	5
<b>4 cylinder engines / Motores 4 cilindros</b>						
710 2020, 2510	4202D	26/1-24K (RE48748) Short nose kit Punta corta				
1830, 2030, 2035, 2120, 2440, 2520	4219D					
1640, 1840 2040 (EU), 2130, 2135, 2350, 2550	4239D	26/1-24K (RE48748) Short nose kit Punta corta (A) 35mm (1.38")	26/2-14 (2-1) (B922) (4 x 26/7-12 (RE27352) + 1 x 26/8-12 (RE521350)) With flange Con pestaña	26/3-14 (B932) (4 x 26/9-12 (RE27348))	26/6-11 (RE13571) Standard	26/12-9 (T20094) Helical gear Piñón dentado helicoidal Z = 24
2040S, 2450 (ES), 2450F		26/1-64K (RE65224) Long nose kit Punta larga (A) 60mm (2.36")				
2140, 2650 (ES), 2650F, 2750, 2850	4239T	26/1-64K (RE65224) Long nose kit Punta larga (A) 60mm (2.36")	26/2-15 (2-2) (B923) (4 x 26/7-12 (RE27352) + 1 x 26/8-15 (RE60350)) Less flange Sin pestaña		26/6-12 (AR95932) +0.18mm (0.007")	
2250, 2355, 2450 (DE), 2555CS, 2650CS	4239D	26/1-64K (RE65224) Long nose kit Punta larga				
2555TSS, 2650N, 2650TSS, 2755, 2855N	4239T					
2630, 2640	4276D	26/1-95K (RE71439) Short nose kit Punta corta		26/3-110 (B3110) (4 x 26/9-65 (RE47867))		
3010, 3020 (↔122999) Blocks / Bloques R26160, R32020, R40850 Offset notch bearing shells. Ranura descentrada 3020 (↔122999) Blocks / Bloques R40910, R46350, R46430 Offset notch & Centre notch bearing shell. Ranura centrada y ranura descentrada	4270D		26/2-121 (2-2) (B2121) (4 x 26/7-121 (AR49243) + 1 x 26/8-121 (AR77754)) Less flange Sin pestaña	26/3-108 (B3108) (4 x 26/9-51 (AR45723))	26/6-51 (AR77747) Standard	26/12-51 (R26049) Helical gear Piñón dentado helicoidal Z = 23
		26/2-108 (2-2) (B2108) (4 x 26/7-51 (AR74814) + 1 x 26/8-51 (AR77748)) Less flange Sin pestaña				

(NB) : Crankshaft kit see page 21 for components 26/1-xxK / Conjunto de cigüeñal, ver página 21 para componentes / 26/1-xx =Only crankshaft / Cigüeñal solamente  
Main and conrod bearing sets are available in 0.010"- 0.020"- 0.030" undersize. Please add the suffix A, B, or C respectively. See page 22-23. / Cojinetes de bancada y de biela disponibles en las siguientes sobremedidas: 0.254mm (0.010"), 0.508mm (0.020") and 0.762mm (0.030") ver pagina 22-23. Adjuntar los prefijos A, B, o C respectivamente.

## CRANKSHAFT & RELATED PARTS CIGÜEÑALES Y PIEZAS RELACIONADAS

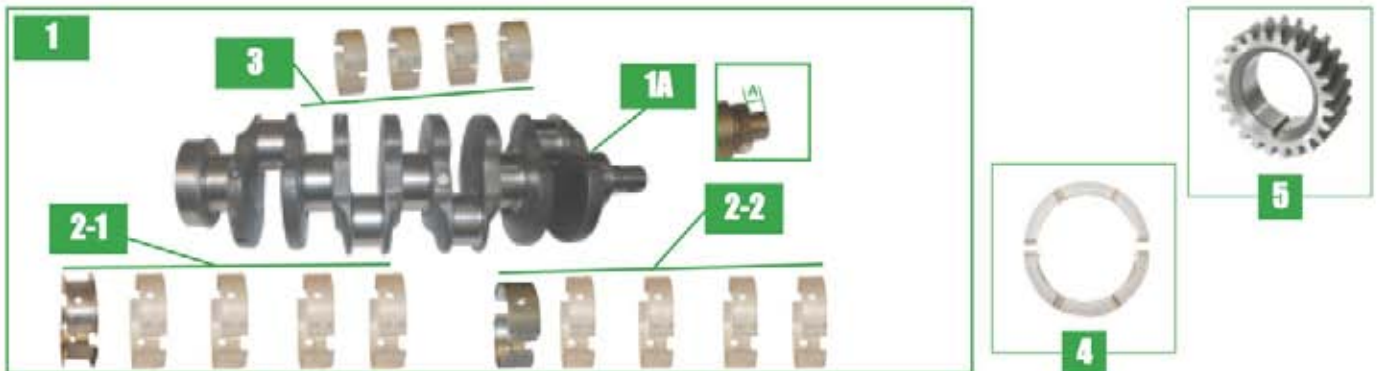


Tractors <i>Tractores</i>	Engines <i>Motores</i>	Crankshaft <i>Cigüeñal</i>	Main bearing kit <i>Cojinetes bancada</i>	Conrod bear kit. <i>Cojinetes biela</i>	Washer Kit <i>Arandela axial</i>	Gear <i>Piñón</i>
		1	2	3	4	5
<b>4 cylinder engines / Motores 4 cilindros</b>						
3020 (123000⇔)	4270D	-	<b>26/2-108 (2-2)</b> (B2108) (4 x <b>26/7-51</b> (AR74814) + 1 x <b>26/8-51</b> (AR77748)) Less flange <i>Sin pestaña</i>	<b>26/3-108</b> (B3108) (4 x <b>26/9-51</b> (AR45723))	<b>26/6-51</b> (AR77747) Standard <b>26/6-52</b> (AR77753) +0.18mm (0.007")	<b>26/12-51</b> (R26049) Helical gear <i>Pinón dentado helicoidal Z = 23</i>
3200, 3200X, 3210, 3210X	4039D	<b>26/1-64K</b> (RE65224) Long nose kit <i>Punta larga</i>	<b>26/2-14 (2-1)</b> (B922) (4 x <b>26/7-12</b> (RE27352) + 1 x <b>26/8-12</b> (RE521350)) With flange <i>Con pestaña</i>	<b>26/3-14</b> (B932) (4 x <b>26/9-12</b> (RE27348))	<b>26/6-11</b> (RE13571) Standard	<b>26/12-90</b> (R100850) Spur gear <i>Pinón dentado recto Z = 24</i>
3400, 3400X, 3410, 3410X 5500, 5500N	4039T					
3300, 3300X, 3310, 3310X	4045D	<b>26/1-53K</b> (RE54883) Long nose kit <i>Punta larga</i>	<b>26/2-15 (2-2)</b> (B923) (4 x <b>26/7-12</b> (RE27352) + 1 x <b>26/8-15</b> (RE60350)) Less flange <i>Sin pestaña</i>	<b>26/3-110</b> (B3110) (4 x <b>26/9-65</b> (RE47867))	<b>26/6-12</b> (AR95932) +0.18mm (0.007")	
3210, 3210X, 3310, 3310X 5403 (BR), 5410 (USA), 5415 (MEX), 5415N, 5420, 5420N, 5425 (MEX), 5425N (MEX), 5605, 5615 (MEX), 5615 (TUR), 5625 (MEX)	4045D Power Tech	<b>26/1-90 (1A)</b> (RE504638)	<b>26/2-82 (2-1)</b> (B282) (4 x <b>26/7-82</b> (RE65165) + 1 x <b>26/8-82</b> (RE65168)) With flange <i>Con pestaña</i>	<b>26/3-81</b> (B381) (4 x <b>26/9-82</b> (RE65908))		<b>26/12-91</b> (R120631) Helical gear <i>Pinón dentado helicoidal Z = 30</i>
3410, 3410X 5425 (USA), 5425N (USA) 5510, 5510N, 5520, 5520N, 5525, 5525N, 5603 (USA), 5625 (USA), 5705, 5715, 5725, 5725N	4045T Power Tech					
5415 (EU), 5603 (BR), 5620	4045D Power Tech					
5515, 5615 (EU) 5720, 5820	4045T Power Tech	<b>26/1-91 (1A)</b> (RE506195)				

(NB) : Crankshaft kit see page 21 for components **26/1-xxK** / *Conjunto de cigüeñal, ver página 21 para componentes / 26/1-xx = Only crankshaft / Cigüeñal solamente*  
Main and conrod bearing sets are available in 0.010" - 0.020" - 0.030" undersize. Please add the suffix A, B, or C respectively. See page 22-23. / *Cojinetes de bancada y de biela disponibles en las siguientes sobremedidas 0.254mm (0.010"), 0.508mm (0.020") and 0.762mm (0.030") ver pagina 22-23. Adjuntar los prefijos A, B, o C respectivamente.*



## CRANKSHAFT & RELATED PARTS CIGÜEÑALES Y PIEZAS RELACIONADAS



Tractors <i>Tractores</i>	Engines <i>Motores</i>	Crankshaft <i>Cigüeñal</i>	Main bearing kit <i>Cojinetes bancada</i>	Conrod bear kit. <i>Cojinetes biela</i>	Washer Kit <i>Arandela axial</i>	Gear <i>Piñón</i>
		1	2	3	5	6
<b>4 cylinder engines / Motores 4 cilindros</b>						
6200, 6200L, 6200SE, 6300, 6300L, 6300SE	4039T	<b>26/1-64K</b> (RE65224) Long Nose Kit <i>Punta corta</i>	<b>26/2-14 (2-1)</b> (B922) (4 x <b>26/7-12</b> (RE27352) + 1 x <b>26/8-12</b> (RE521350)) With flange <i>Con pestaña</i>	<b>26/3-14</b> (B932) (4 x <b>26/9-12</b> (RE27348))	<b>26/6-11</b> (RE13571) Standard	<b>26/12-9</b> (T20094) Helical gear <i>Piñón dentado helicoidal</i> Z = 24
6100, 6100SE	4045D	<b>26/1-53K</b> (RE54883) Long Nose Kit <i>Punta larga</i>	<b>26/2-15 (2-2)</b> (B923) (4 x <b>26/7-12</b> (RE27352) + 1 x <b>26/8-15</b> (RE60350)) Less flange <i>Sin pestaña</i>	<b>26/3-110</b> (B3110) (4 x <b>26/9-65</b> (RE47867))	<b>26/6-12</b> (AR95932) +0.18mm (0.007")	
6400, 6400L, 6400SE, 6400SP (TP001), 6500, 6500L	4045T					
6010, 6010SE	4045D Power Tech	<b>26/1-90 (1A)</b> (RE504638)				
6400SP (TP054) 6415 (BR) 6415 (MEX), 6425 (MEX)	4045T Power Tech					
6020, 6020SE (↔799999)	4045D Power Tech	<b>26/1-90 (1A)</b> (RE504638) Straight Nose <i>Punta recta</i>				
6110, 6110L, 6110SE, 6120, 6120L, 6120SE, 6205, 6210, 6210L, 6210SE, 6215, 6220, 6220L, 6220SE, 6310, 6310L, 6310S, 6310SE, 6320SE(↔799999) 6403, 6405, 6410, 6410L, 6410S, 6410SE, 6510L, 6510S,	4045T Power Tech					
6320, 6320L, 6420, 6420L, 6420S, 6420SE, 6520L (↔799999)	4045H Power Tech	<b>26/1-91 (1A)</b> (RE506195) Taper Nose <i>Punta cónica</i>	<b>26/2-82 (2-1)</b> (B282) (4 x <b>26/7-82</b> (RE65165) + 1 x <b>26/8-82</b> (RE65168)) With flange <i>Con pestaña</i>	<b>26/3-81</b> (B381) (4 x <b>26/9-82</b> (RE65908))		<b>26/12-91</b> (R120631) Helical gear <i>Piñón dentado helicoidal</i> Z = 30
6020, 6020SE (800000↔)	4045T Power Tech					
6320, 6320L, 6320SE, 6420, 6420L, 6420S, 6420SE, 6520L (800000↔) 6415 (USA)	4045H Power Tech	<b>26/1-91 (1A)</b> (RE506195)				
6130, 6225, 6230, 6230PR (USA), 6325, 6330, 6330PR (USA), 6425 (EU), 6430, 6430PR (USA)	4045H Power Tech E					
6230PR, 6330PR, 6430PR	4045H Power Tech Plus					

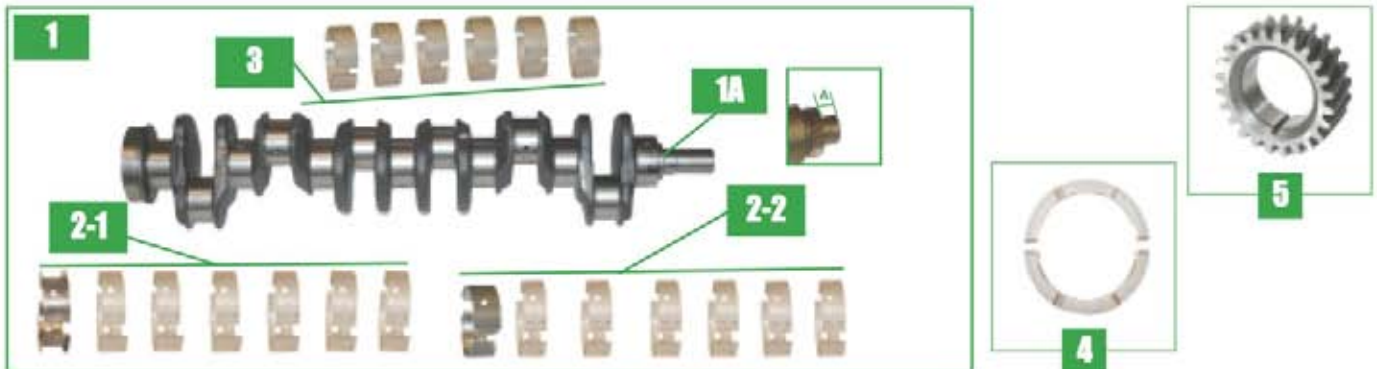
(NB) : Crankshaft kit see page 21 for components **26/1-xxK** / *Conjunto de cigüeñal, ver página 21 para componentes / 26/1-xx* =Only crankshaft / *Cigüeñal solamente*  
Main and conrod bearing sets are available in 0.010" - 0.020" - 0.030" undersize. Please add the suffix A, B, or C respectively. See page 22-23. / *Cojinetes de bancada y de biela disponibles en las siguientes sobremedidas: 0.254mm (0.010"), 0.508mm (0.020") and 0.762mm (0.030") ver pagina 22-23. Adjuntar los prefijos A, B, o C respectivamente.*

Part numbers are quoted for reference purposes only.  
Our parts and accessories are not original

**"THE RELIABLE SERVICE"**

Las referencias originales tienen un propósito identificativo. Nuestras piezas no son originales

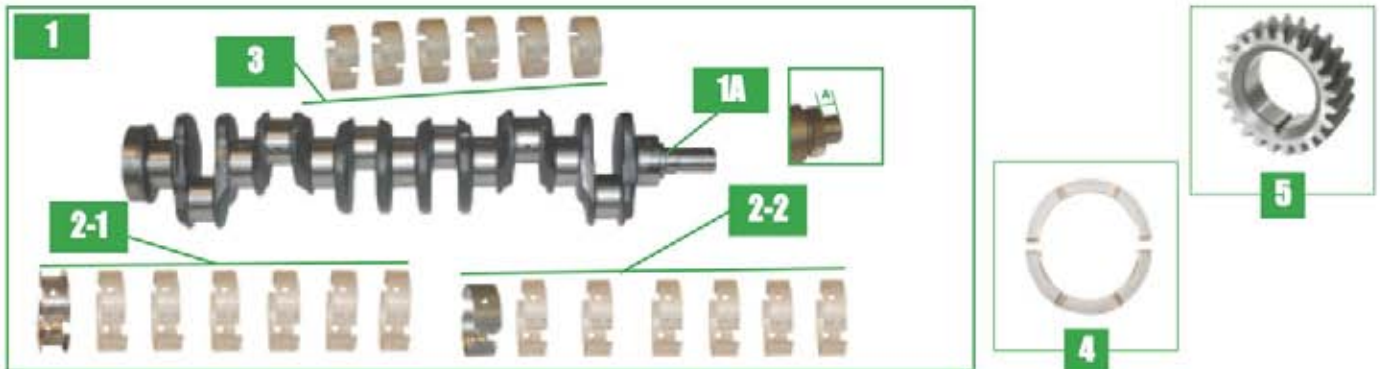
## CRANKSHAFT & RELATED PARTS CIGÜEÑALES Y PIEZAS RELACIONADAS



Tractors Tractores	Engines Motores	Crankshaft Cigüeñal	Main bearing kit Cojinetes bancada	Conrod bear kit Cojinetes biela	Washer Kit Arandela axial	Gear Piñón	
		1	2	3	4	5	
<b>6 cylinder engines / Motores 6 cilindros</b>							
3120	6303D	26/1-25K (RE502190)	26/2-16 (2-1) (B924) (6 x 26/7-12 (RE27352) + 1 x 26/8-12 (RE521350)) With flange Con pestaña	26/3-16 (B934) (6 x 26/9-12 (RE27348))	26/6-11 (RE13571) Standard	26/12-9 (T20094) Helical gear Piñón dentado helicoidal Z = 24	
2840 3030, 3130, 3135 4030	6329D						
2940, 2950, 2955 3040, 3050, 3055, 3140, 3150, 3155, 3340, 3350 (DE) 3350 (ES⇔155860) 3640	6359D						26/2-17 (2-2) (B925) (6 x 26/7-12 (RE27352) + 1 x 26/8-15 (RE60350)) Less flange Sin pestaña
3255, 3350 (ES 761166⇔), 3640S, 3650, 4040 (EU) 4040S, 4050	6359T						
4010, 4020 (⇔200999)							
Blocks / Bloques R26070, R33180, R34340, R40890, R40900	6404D	26/1-88 (1A) (RE63292)	26/2-122 (2-2) (B2122) (6 x 26/7-121 (AR49243) + 1 x 26/8-121 (AR77754)) Less flange Sin pestaña	26/3-51 (B351) (6 x 26/9-51 (AR45723))	26/6-51 (AR77747) Standard	26/12-51 (R26049) Helical gear Piñón dentado helicoidal Z = 23 Larg. / Wide 19mm	
Offset notch bearing shells Ranura descentrada							
4010, 4020 (⇔200999)							
Blocs / Blocks R40930							
Offset notch & Centre notch bearing shell. Ranura centrada y ranura descentrada							
4000, 4020 (201000⇔), 4040 (USA) 4230		26/1-51 (1A) (RE53422)	26/2-51 (2-2) (B251) (6 x 26/7-51 (AR74814) + 1 x 26/8-51 (AR77748)) Less flange Sin pestaña	26/3-52 (B352) (6 x 26/9-52 (AR73277))	26/6-52 (AR77753) +0.18mm (0.007")	26/12-92 (R105488) Helical gear Piñón dentado helicoidal Z = 23 Wide / Anch. 23mm	
4050, 4240	6466D						
4320, 4430, 4520	6404T						
4620, 4630	6404A						
4050E, 4240S, 4250, 4350, 4440, 4450, 4455 (MEX)	6466T						
4055, 4255, 4455, 4555, 4560	6076T						
4640, 4650, 4840, 4850	6466A						
4755, 4760, 4955, 4960	6076A						

(NB) : Crankshaft kit see page 21 for components 26/1-xxK / Conjunto de cigüeñal, ver página 21 para componentes / 26/1-xx =Only crankshaft / Cigüeñal solamente  
Main and conrod bearing sets are available in 0.010"- 0.020"- 0.030" undersize. Please add the suffix A, B, or C respectively. See page 22-23. / Cojinetes de bancada y de biela disponibles en las siguientes sobremedidas: 0.254mm (0.010"), 0.508mm (0.020") and 0.762mm (0.030") ver pagina 22-23. Adjuntar los prefijos A, B, o C respectivamente.

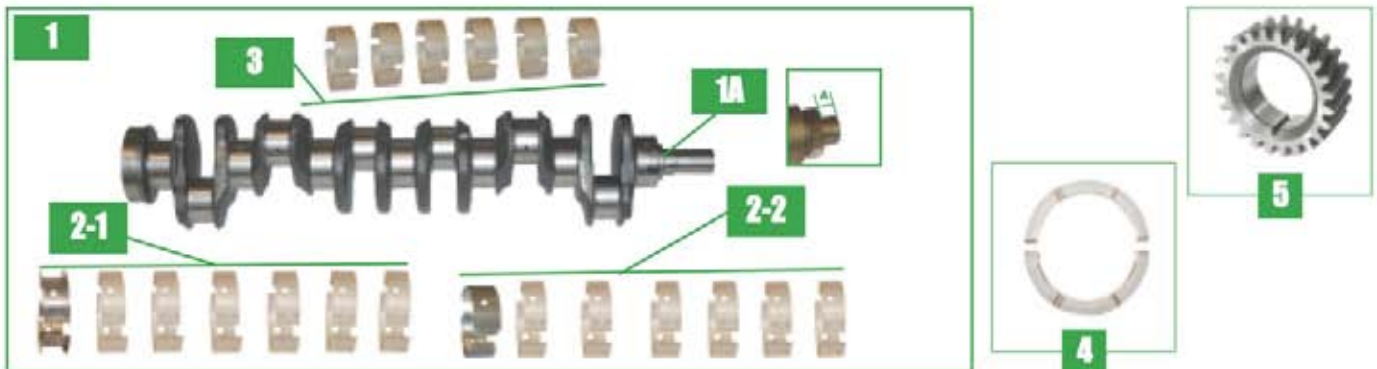
## CRANKSHAFT & RELATED PARTS CIGÜEÑALES Y PIEZAS RELACIONADAS



Tractors <i>Tractores</i>	Engines <i>Motores</i>	Crankshaft <i>Cigüeñal</i>	Main bearing kit <i>Cojinetes bancada</i>	Conrod bear kit <i>Cojinetes biela</i>	Washer Kit <i>Arandela axial</i>	Gear <i>Piñón</i>
		1	2	3	4	5
<b>6 cylinder engines / Motores 6 cilindros</b>						
6600 7200	6059T	26/1-25K (RE502190)	26/2-16 (2-1) (B924) (6 x 26/7-12 (RE27352) + 1 x 26/8-12 (RE521350)) With flange Con pestaña	26/3-16 (B934) (6 x 26/9-12 (RE27348))	26/6-11 (RE13571) Standard	26/12-9 (T20094) Helical gear Piñón dentado helicoidal Z = 24
6506	6068D	26/1-50K (RE502191)				
6800, 6900 7400, 7500 (⇨001336) 7600	6068T		26/1-92 (1A) (RE515785)	26/2-83 (2-1) (B283) (6 x 26/7-82 (RE65165) + 1 x 26/8-82 (RE65168)) With flange Con pestaña	26/3-82 (B382) (6 x 26/9-82 (RE65908))	-
6603, 6615 (BR) 7210, 7220, 7320, 7405, 7410, 7420, 7425 7500 (001337⇨), 7505, 7510, 7515, 7520, 7525, 7610, 7810 (BR)	6068T Power Tech	26/1-92 (1A) (RE515785) Straight Nose Punta recta				
6505, 6510, 6510SE 6515, 6520, 6520SE (⇨799999)	6068D Power Tech	26/1-93 (1A) (RE505921) Taper Nose Punta cónica				
6520, 6520SE, 6620, 6620SE, 6715 (⇨799999) 6605, 6610, 6610SE, 6810, 6910, 6910S, 6920SE	6068T Power Tech	26/1-93 (1A) (RE505921)	26/1-93 (1A) (RE505921)	26/1-93 (1A) (RE505921)	-	26/12-91 (R120631) Helical gear Piñón dentado helicoidal Z = 30
6620, 6820, 6920, 6920S (⇨799999) 7220, 7320, 7420 (USA), 7520 (USA)	6068H Power Tech					
6515, 6520, 6520SE, 6620, 6620SE, 6715, 6820, 6920, 6920S (800000⇨) 6615 (USA) 7715, 7720, 7815, 7820 (EU)	6068H Power Tech E	26/1-93 (1A) (RE505921)	26/1-93 (1A) (RE505921)	26/1-93 (1A) (RE505921)	-	26/12-91 (R120631) Helical gear Piñón dentado helicoidal Z = 30
6530PR, 6630PR, 6830PR, 6930PR 7130PR, 7230PR, 7330PR, 7430PR, 7530PR, 7630, 7730, 7730, 7830	6068H Power Tech Plus	26/1-93 (1A) (RE505921)	26/1-93 (1A) (RE505921)	26/1-93 (1A) (RE505921)	-	26/12-91 (R120631) Helical gear Piñón dentado helicoidal Z = 30

(NB) : Crankshaft kit see page 21 for components **26/1-xxK** / Conjunto de cigüeñal, ver página 21 para componentes / **26/1-xx** =Only crankshaft / Cigüeñal solamente  
Main and conrod bearing sets are available in 0.010" - 0.020" - 0.030" undersize. Please add the suffix A, B, or C respectively. See page 22-23. / Cojinetes de bancada y de biela disponibles en las siguientes sobremedidas: 0.254mm (0.010"), 0.508mm (0.020") and 0.762mm (0.030") ver pagina 22-23. Adjuntar los prefijos A, B, o C respectivamente.

## CRANKSHAFT & RELATED PARTS CIGÜEÑALES Y PIEZAS RELACIONADAS



Tractors Tractores	Engines Motores	Crankshaft Cigüeñal	Main bearing kit Cojinetes bancada	Conrod bear kit. Cojinetes biela	Washer Kit Arandela axial	Gear Piñón
		1	2	3	4	5
<b>6 cylinder engines / Motores 6 cilindros</b>						
7020	6404A	26/1-51 (1A) (RE53422)	26/2-51 (2-2) (B251) (6 x 26/7-51 (AR74814)+ 1 x 26/8-51 (AR77748)) Less flange Sin pestaña	26/3-51 (B351) (6 x 26/9-51 (AR45723))	26/6-51 (AR77747) Standard  26/6-52 (AR77753) +0.18mm (0.007")	26/12-51 (R26049) Helical gear Piñón dentado helicoïdal Z = 23 Wide / Anch. 19mm 26/12-92 (R105488) Helical gear Piñón dentado helicoïdal Z = 23 Wide / Anch. 23mm
7700, 7800	6076T	26/1-89 (1A) (RG23551)		26/3-52 (B352) (6 x 26/9-52 (AR73277))		
8100, 8200, 8300 (↔009999)	6076H					
7710, 7810 (USA) (↔089999)	6081T Power Tech	↔142156 Helical rear gear Piñón posterior helicoïdal 26/1-86 (1A) (RE55522, RE535300)				
8100, 8200, 8300 (010000↔) 8100T, 8110, 8110T, 8200T, 8210, 8210T, 8300T, 8310, 8310T, 8400, 8400T, 8410, 8410T 9100	6081H Power Tech	142157↔ Spur rear gear Piñón posterior recto 26/1-94 (1A) (RE530437, RE534314)	26/2-89 (2-2) (B289) (6 x 26/7-89 (RE529319) + 1 x 26/8-89 (RE504198)) Less flange Sin pestaña  26/2-127 (2-1) (B2127) (6 x 26/7-89 (RE529319) + 1 x 26/8-127 (RE529320) With flange Con pestaña	26/3-89 (B389) (6 x 26/9-89 (RE57165, R525767x 2))	26/6-89 (RE61253) Standard  26/6-90 (RE61851) +0.18mm (0.007")	26/12-89 (R104587) Z = 27 Spur Gear Piñón dentado recto
7710, 7810 (USA) (090000↔) 7820 (USA) 7920 8120, 8120T, 8220, 8220T, 8320, 8320T, 8420, 8420T, 8520, 8520T 9120		26/1-94 (1A) (RE530437, RE534314)				
8130, 8230, 8230T, 8330, 8330T, 8430, 8430T, 8530 9230	6090H Power Tech	-	26/2-127 (2-1) (B2127) (6 x 26/7-89 (RE529319) + 1 x 26/8-127 (RE529320) With flange Con pestaña	26/3-127 (B3127) (6 x 26/9-127 (RE529318))		

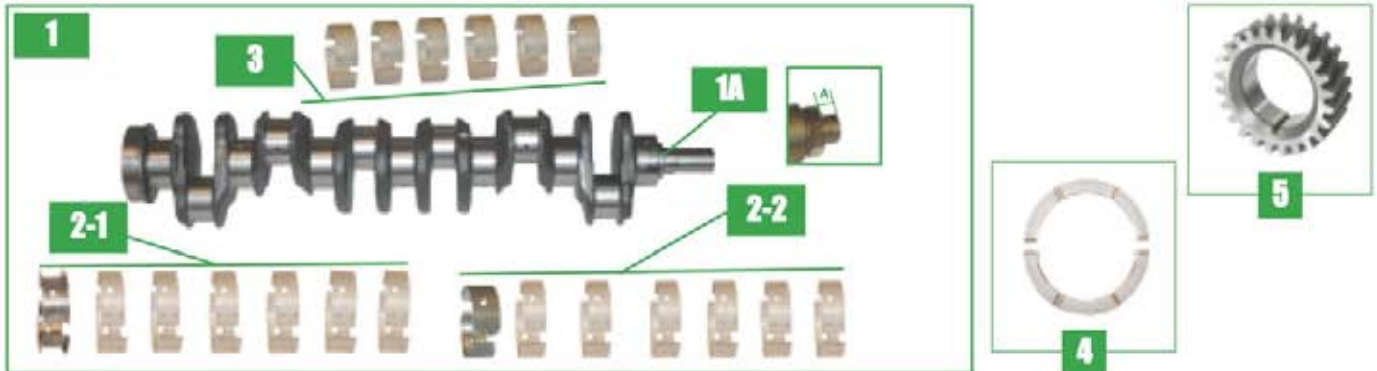
(NB) : Crankshaft kit see page 21 for components 26/1-xxK / Conjunto de cigüeñal, ver página 21 para componentes / 26/1-xx –Only crankshaft / Cigüeñal solamente  
Main and conrod bearing sets are available in 0.010"- 0.020"- 0.030" undersize. Please add the suffix A, B, or C respectively. See page 22-23. / Cojinetes de bancada y de biela disponibles en las siguientes sobremedidas: 0.254mm (0.010"), 0.508mm (0.020") and 0.762mm (0.030") ver pagina 22-23. Adjuntar los prefijos A, B, o C respectivamente.

Part numbers are quoted for reference purposes only.  
Our parts and accessories are not original

**"THE RELIABLE SERVICE"**

Las referencias originales tienen un propósito identificativo. Nuestras piezas no son originales

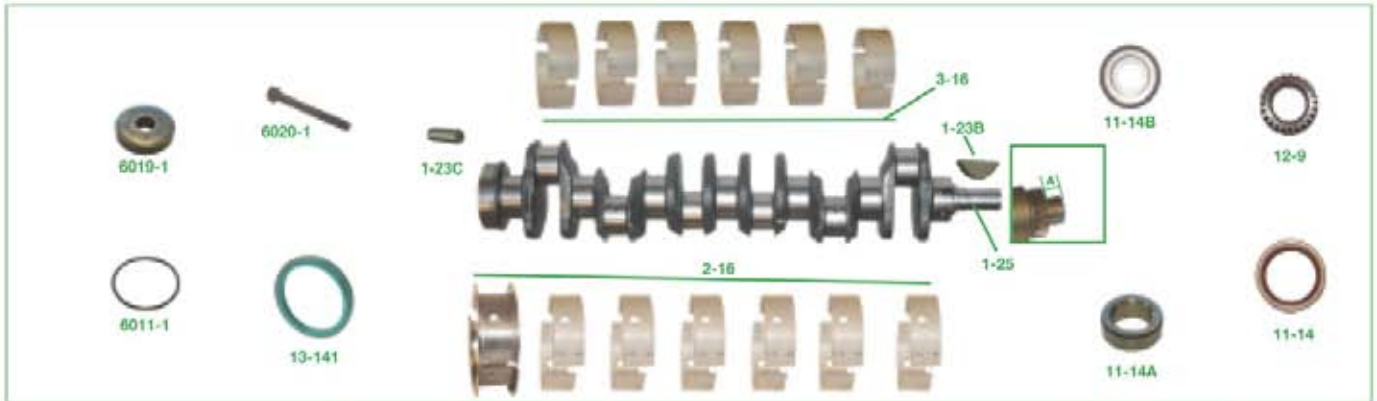
## CRANKSHAFT & RELATED PARTS CIGÜEÑALES Y PIEZAS RELACIONADAS



Tractors Tractores	Engines Motores	Crankshaft Cigüeñal	Main bearing kit Cojinetes bancada	Conrod bear kit. Cojinetes biela	Washer Kit Arandela axial	Gear Piñón
		1	2	3	4	5
<b>6 cylinder engines / Motores 6 cilindros</b>						
8430, 8440, 8450	6466A	26/1-51 (1A) (RE53422)				26/12-51 (R26049) Helical gear Piñón dentado helicoidal Z = 23 Wide / Anch. 19mm 26/12-92 (R105488) Helical gear Piñón dentado helicoidal Z = 23 Wide / Anch. 23mm
8560 (↔499999)	6076H	26/1-51 (1A) (RE53422) Front gear Piñón delantero 23mm	26/2-51 (2-2) (B251) (6 x 26/7-51 (AR74814) + 1 x 26/8-51 (AR77748)) Less flange Sin pestaña	26/3-52 (B352) (6 x 26/9-52 (AR73277))	26/6-51 (AR77747) Standard 26/6-52 (AR77753) +0.18mm (0.007")	26/12-92 (R105488) Helical gear Piñón dentado helicoidal For / Para 26/1-51 Wide / Anch. 23mm Z = 23
		26/1-52 (1A) (RE63293) Front gear Piñón delantero 36mm				26/12-93 (R86565) Helical gear Piñón dentado helicoidal For / Para 26/1-52 Wide / Anch. 36mm Z = 23
8560 (500000 ↔), 8570		26/1-89 (1A) (RG23551)				26/12-89 (R104587) Z = 27 Spur Gear Piñón dentado recto

(NB) : Crankshaft kit see page 21 for components **26/1-xxK** / Conjunto de cigüeñal, ver página 21 para componentes / **26/1-xx** =Only crankshaft / Cigüeñal solamente  
 Main and conrod bearing sets are available in 0.010" - 0.020" - 0.030" undersize. Please add the suffix A, B, or C respectively. See page 22-23. / Cojinetes de bancada y de biela disponibles en las siguientes sobremedidas: 0.254mm (0.010"), 0.508mm (0.020") and 0.762mm (0.030") ver pagina 22-23. Adjuntar los prefijos A, B, o C respectivamente.

**CRANKSHAFT KIT**  
**CONJUNTO DE CIGÜEÑAL**



Engines Motores	3152D, 3164D, 3179D, 3179T	3179D, 3179T, 3029D, 3029T	4202D, 4219D, 4239D, 4239T, 4039D, 4039T	4239D, 4239T, 4039D, 4039T	4276D, 4276T	4276D, 4276T, 4045D, 4045T	6303D, 6329D, 6359D, 6359T, 6059D, 6059T	6414D, 6414T, 6068D, 6068T
<b>Crankshaft kit</b> <i>Conjunto de cigüeñal</i>	<b>26/1-23K</b> (RE47637, RE46896, RE521349) Short nose kit Punta corta A) 35mm (1.37")	<b>26/1-85K</b> (RE47638, RE46897, RE50979, RE521348) Long nose kit Punta larga A) 60mm (2.36")	<b>26/1-24K</b> (RE48748) Short nose kit Punta corta A) 35mm (1.37")	<b>26/1-64K</b> (RE48747, RE65224) Long nose kit Punta larga A) 60mm (2.36")	<b>26/1-95K</b> (RE71439) Short nose kit Punta corta A) 35mm (1.37")	<b>26/1-53K</b> (RE54883) Long nose kit Punta larga 60mm (2.36")	<b>26/1-25K</b> (RE47640, RE48830, RE54130, RE502190)	<b>26/1-50K</b> (RE57438, RE500340, RE502191)
<b>Contents</b> <i>Composición</i>	One each of <i>Una pieza de cada</i>	One each of <i>Una pieza de cada</i>	One each of <i>Una pieza de cada</i>	One each of <i>Una pieza de cada</i>	One each of <i>Una pieza de cada</i>	One each of <i>Una pieza de cada</i>	One each of <i>Una pieza de cada</i>	One each of <i>Una pieza de cada</i>
Bare crankshaft (with dowel pin & key) <i>Cigüeñal sólo con centrador y chaveta</i>	<b>26/1-23</b> (AT18031)	<b>26/1-85</b> (RE31257)	<b>26/1-24</b> (AT18030, RE57664, RE33197)	<b>26/1-64</b> (RE20585, RE44468, RE36805)	<b>26/1-95</b> (AR62362, RE56792)	<b>26/1-53</b> (RE55452)	<b>26/1-25</b> (AT22562, RE45541)	<b>26/1-50</b> (RE33687, RE45517)
Main bearing kit <i>Juego de cojinete bancada</i>	<b>26/2-12</b> (3 x 7-12 (RE27352) + 1 x 8-12 (RE521350))	<b>26/2-12</b> (3 x 7-12 (RE27352) + 1 x 8-12 (RE521350))	<b>26/2-14</b> (4 x 7-12 (RE27352) + 1 x 8-12 (RE521350))	<b>26/2-14</b> (4 x 7-12 (RE27352) + 1 x 8-12 (RE521350))	<b>26/2-14</b> (4 x 7-12 (RE27352) + 1 x 8-12 (RE521350))	<b>26/2-14</b> (4 x 7-12 (RE27352) + 1 x 8-12 (RE521350))	<b>26/2-16</b> (6 x 7-12 (RE27352) + 1 x 8-12 (RE521350))	<b>26/2-16</b> (6 x 7-12 (RE27352) + 1 x 8-12 (RE521350))
Conrod bearing kit <i>Juego de cojinete biela</i>	<b>26/3-12</b> (3 x 9-12 (RE27348))	<b>26/3-12</b> (3 x 9-12 (RE27348))	<b>26/3-14</b> (4 x 9-12 (RE27348))	<b>26/3-14</b> (4 x 9-12 (RE27348))	<b>26/3-110</b> (4 x 9-65 (RE47867))	<b>26/3-110</b> (4 x 9-65 (RE47867))	<b>26/3-16</b> (6 x 9-12 (RE27348))	<b>26/3-111</b> (6 x 9-65 (RE47867))
Dowel pin <i>Centrador</i>	<b>26/1-23B</b> (R48685)	<b>26/1-23B</b> (R48685)	<b>26/1-23B</b> (R48685)	<b>26/1-23B</b> (R48685)	<b>26/1-23B</b> (R48685)	<b>26/1-23B</b> (R48685)	<b>26/1-23B</b> (R48685)	<b>26/1-23B</b> (R48685)
Shaft key <i>Chaveta</i>	<b>26/1-23C</b> (26H72, T28041)	<b>26/1-23C</b> (26H72, T28041)	<b>26/1-23C</b> (26H72, T28041)	<b>26/1-23C</b> (26H72, T28041)	<b>26/1-23C</b> (26H72, T28041)	<b>26/1-23C</b> (26H72, T28041)	<b>26/1-23C</b> (26H72, T28041)	<b>26/1-23C</b> (26H72, T28041)
Front seal <i>Retén frontal</i>	<b>26/11-14</b> (AR67942)	<b>26/11-14</b> (AR67942)	<b>26/11-14</b> (AR67942)	<b>26/11-14</b> (AR67942)	<b>26/11-14</b> (AR67942)	<b>26/11-14</b> (AR67942)	<b>26/11-14</b> (AR67942)	<b>26/11-14</b> (AR67942)
Oil slinger <i>Deflector de aceite</i>	<b>26/11-14B</b> (T20046)	<b>26/11-14B</b> (T20046)	<b>26/11-14B</b> (T20046)	<b>26/11-14B</b> (T20046)	<b>26/11-14B</b> (T20046)	<b>26/11-14B</b> (T20046)	<b>26/11-14B</b> (T20046)	<b>26/11-14B</b> (T20046)
Sleeve <i>Junta</i>	<b>26/11-14A</b> (T30413, R81989)	<b>26/11-14A</b> (T30413, R81989)	-	<b>26/11-14A</b> (T30413, R81989)	<b>26/11-14A</b> (T30413, R81989)	<b>26/11-14A</b> (T30413, R81989)	<b>26/11-14A</b> (T30413, R81989)	<b>26/11-14A</b> (T30413, R81989)
"O" Ring <i>Junta tórica</i>	<b>26/6011-1</b> (H35244)	<b>26/6011-1</b> (H35244)	-	<b>26/6011-1</b> (H35244)	<b>26/6011-1</b> (H35244)	<b>26/6011-1</b> (H35244)	<b>26/6011-1</b> (H35244)	<b>26/6011-1</b> (H35244)
Helical gear <i>Piñón helicoidal</i>	<b>26/12-9</b> (T20094)	<b>26/12-9</b> (T20094)	<b>26/12-9</b> (T20094)	<b>26/12-9</b> (T20094)	<b>26/12-9</b> (T20094)	<b>26/12-9</b> (T20094)	<b>26/12-9</b> (T20094)	<b>26/12-9</b> (T20094)
Spur gear (Straight) <i>Piñón recto</i>	-	<b>26/12-90</b> (R100850)	-	<b>26/12-90</b> (R100850)	-	<b>26/12-90</b> (R100850)	-	-
Rear housing seal <i>Retén trasero</i>	<b>26/13-141</b> (RE44574)	<b>26/13-141</b> (RE44574)	<b>26/13-141</b> (RE44574)	<b>26/13-141</b> (RE44574)	<b>26/13-141</b> (RE44574)	<b>26/13-141</b> (RE44574)	<b>26/13-141</b> (RE44574)	<b>26/13-141</b> (RE44574)
Spacer <i>Arandelas</i>	-	-	-	-	-	-	<b>26/6019-1</b> (R109086)	<b>26/6019-1</b> (R109086)
Cap screw <i>Tornillos</i>	-	-	-	-	-	-	<b>26/6020-1</b> (R85363)	<b>26/6020-1</b> (R85363)

Part numbers are quoted for reference purposes only.  
Our parts and accessories are not original

**"THE RELIABLE SERVICE"**

Las referencias originales tienen un propósito identificativo. Nuestras piezas no son originales

## MAIN AND CONROD BEARING KITS JUEGOS DE COJINETES DE CIGÜEÑAL (BANCADA Y BIELA)



Main bearings kits  
Juego de cojinete bancada



Conrod bearings kits  
Juego de cojinete biela

OEM numbers for undersized main bearing

Referencias de origen de cojinetes bancada en las siguientes sobremedidas

Standard	0,254mm (0.010")	0,508mm (0.020")	0,0762mm (0.030")
26/2-12 (B920) (RE27352x3 + RE521350x1)	26/2-12A (B920A) (RE27353x3 + RE526754x1)	26/2-12B (B920B) (RE27360x3 + RE527235x1)	26/2-12C (B920C) (RE27368x3 + RE527236x1)
26/2-14 (B922) (RE27352x4 + RE521350x1)	26/2-14A (B922A) (RE27353x4 + RE526754x1)	26/2-14B (B922B) (RE27360x4 + RE527235x1)	26/2-14C (B922C) (RE27368x4 + RE527236x1)
26/2-15 (B923) (RE27352x4 + RE60350x1)	26/2-15A (B923A) (RE27353x4 + RE27351x1)	26/2-15B (B923B) (RE27360x4 + RE27359x1)	26/2-15C (B923C) (RE27368x4 + RE527236x1)
26/2-16 (B924) (RE27352x6 + RE521350x1)	26/2-16A (B924A) (RE27353x6 + RE526754x1)	26/2-16B (B924B) (RE27360x6 + RE527235x1)	26/2-16C (B924C) (RE27368x6 + RE527236x1)
26/2-17 (B925) (RE27352x6 + RE60350x1)	26/2-17A (B925A) (RE27353x6 + RE27351x1)	26/2-17B (B925B) (RE27360x6 + RE27359x1)	26/2-17C (B925C) (RE27368x6 + RE27366x1)
26/2-51 (B251) (AR74814x6 + AR77748x1)	26/2-51A (AR74816x6 + AR77750x1)	26/2-51B (B251B) (AR74817x6 + AR77751x1)	26/2-51C (B251C) (AR74818x6 + AR77752x1)
26/2-82 (B282) (RE65165x4 + RE65168x1)	26/2-82A (B282A) (RE65911x4 + RE65912x1)	-	-
26/2-83 (B283) (RE65165x6 + RE65168x1)	26/2-83A (B283A) (RE65911x6 + RE65912x1)	-	-
26/2-89 (B289) (RE529319x6 + RE504198x1)	26/2-89A (B289A) (RE534181x6 + RE504199x1)	26/2-89B (B289B) (RE534182x6 + RE504200x1)	-
26/2-108 (B2108) (AR74814x4 + AR77748x1)	26/2-108A (B2108A) (AR74816x4 + AR77750x1)	26/2-108B (B2108B) (AR74817x4 + AR77751x1)	26/2-108C (B2108C) (AR74818x4 + AR77752x1)
26/2-120 (B921) (RE27352x3 + RE60350x1)	26/2-120A (B921A) (RE27353x3 + RE27351x1)	26/2-120B (B921B) (RE27360x3 + RE27359x1)	26/2-120C (B921C) (RE27368x3 + RE27366x1)
26/2-121 (B2121) (AR49243x4 + AR77754x1)	26/2-121A (B2121A) (AR49245x4 + AR77756x1)	26/2-121B (B2121B) (AR49246x4 + AR77757x1)	26/2-121C (B2121C) (AR49247x4 + AR77758x1)
26/2-122 (B2122) (AR49243x6 + AR77754x1)	26/2-122A (B2122A) (AR49245x6 + AR77756x1)	26/2-122B (B2122B) (AR49246x6 + AR77757x1)	26/2-122C (B2122C) (AR49247x6 + AR77758x1)
26/2-127 (B2127) (RE529319x6 + RE529320x1)	26/2-127A (B2127A) (RE534181x6 + RE534183x1)	26/2-127B (B2127B) (RE534182x6 + RE534184x1)	-

OEM numbers for undersized conrod bearing

Referencias de origen de cojinetes biela en las siguientes sobremedidas


Standard	0,254mm (0.010")	0,508mm (0.020")	0,0762mm (0.030")
26/3-12 (B930) (RE27348x3)	26/3-12A (B930A) (RE27349x3)	26/3-12B (B930B) (RE27358x3)	26/3-12C (B930C) (RE27364x3)
26/3-14 (B932) (RE27348x4)	26/3-14A (B932A) (RE27349x4)	26/3-14B (B932B) (RE27358x4)	26/3-14C (B932C) (RE27364x4)
26/3-16 (B934) (RE27348x6)	26/3-16A (B934A) (RE27349x6)	26/3-16B (B934B) (RE27358x6)	26/3-16C (B934C) (RE27364x6)
26/3-51 (B351) (AR45723x6)	26/3-51A (B351A) (AR46396x6)	26/3-51B (B351B) (AR46397x6)	26/3-51C (B351C) (AR46398x6)
26/3-52 (B352) (AR73277x6)	26/3-52A (B352A) (AR73279x6)	26/3-52B (B352B) (AR73280x6)	26/3-52C (B352C) (AR73281x6)
26/3-81 (B381) (RE65908x4)	26/3-81A (B381A) (RE65909x4)	-	-
26/3-82 (B382) (RE65908x6)	26/3-82A (B382A) (RE65909x6)	-	-
26/3-89 (B389) (RE57165x6)	26/3-89A (B389A) (RE57167x6)	-	-
26/3-108 (B3108) (AR45723x4)	26/3-108A (B3108A) (AR46396x4)	26/3-108B (B3108B) (AR46397x4)	26/3-108C (B3108C) (AR46398x4)
26/3-110 (B3110) (RE47867x4)	26/3-110A (B3110A) (AR97653x4)	26/3-110B (B3110B) (AR97654x4)	26/3-110C (B3110C) (AR97655x4)
26/3-111 (B3111) (RE47867x6)	26/3-111A (B3111A) (AR97653x6)	26/3-111B (B3111B) (AR97654x6)	26/3-111C (B3111C) (AR97655x6)
26/3-127 (B3127) (RE529318x6)	-	-	-

Part numbers are quoted for reference purposes only.  
Our parts and accessories are not original

**"THE RELIABLE SERVICE"**

Las referencias originales tienen un propósito identificativo. Nuestras piezas no son originales

## MAIN & CONROD BEARING PAIRS JUEGOS DE COJINETES DE CIGÜEÑAL (BANCADA Y BIELA)

Main bearing pairs <i>Cojinetes de bancada</i>				Thrust bearing pairs <i>Par de cojinetes traseros de bancada</i>				
				With flange <i>Con pestaña</i>				Less flange <i>Sin pestaña</i>
								
OEM numbers for undersized main bearing <i>Referenc. de origen de cojinete bancada en las siguientes sobremedidas</i>				OEM numbers for undersized main bearing <i>Referencias de origen de cojinete bancada en las siguientes sobremedidas</i>				
Standard	0,254mm (0.010")	0,508mm (0.020")	0,0762mm (0.030")	Fig.	Standard	0,254mm (0.010")	0,508mm (0.020")	0,0762mm (0.030")
26/7-12 (RE27352x1)	26/7-12A (RE27353x1)	26/7-12B (RE27360x1)	26/7-12C (RE27368x1)	1	26/8-12 (RE521350x1)	26/8-12A (RE526754x1)	26/8-12B (RE527235x1)	26/8-12C (RE527236x1)
26/7-51 (AR74814x1)	26/7-51A (AR74816x1)	26/7-51B (AR74817x1)	26/7-51C (AR74818x1)	2	6/8-15 (RE60350x1)	26/8-15A (RE27351x1)	26/8-15B (RE27359x1)	26/8-15C (RE27366x1)
26/7-82 (RE65165x1)	26/7-82A (RE65911x1)	-	-	2	26/8-51 (AR77748x1)	26/8-51A (AR77750x1)	26/8-51B (AR77751x1)	26/8-51C (AR77752x1)
26/7-89 (RE529319x1)	26/7-89A (RE534181x1)	26/7-89B (RE534182x1)	-	1	26/8-82 (RE65168x1)	26/8-82A (RE65912x1)	-	-
26/7-121 (AR49243x1)	26/7-121A (AR49245x1)	26/7-121B (AR49246x1)	26/7-121C (AR49247x1)	2	26/8-89 (RE504198x1)	26/8-89A (RE504199x1)	26/8-89B (RE504200x1)	-
				2	26/8-121 (AR77754x1)	26/8-121A (AR77756x1)	26/8-121B (AR77757x1)	26/8-121C (AR77758x1)
				1	26/8-127 (RE529320x1)	26/8-127A (RE534183x1)	26/8-127B (RE534184x1)	-

Conrod bearing pairs <i>Par de cojinetes de biela</i>				OEM numbers for undersized conrod bearing <i>Referencias de origen de cojinete de biela en las siguientes sobremedidas</i>			
				Standard	0,254mm (0.010")	0,508mm (0.020")	0,0762mm (0.030")
				26/9-12 (RE27348x1)	26/9-12A (RE27349x1)	26/9-12B (RE27358x1)	26/9-12C (RE27364x1)
				26/9-51 (AR45723x1)	26/9-51A (AR46396x1)	26/9-51B (AR46397x1)	26/9-51C (AR46398 x1)
				26/9-52 (AR73277x1)	26/9-52A (AR73279x1)	26/9-52B (AR73280x1)	26/9-52C (AR73281x1)
				26/9-65 (RE47867x1)	26/9-65A (AR97653x1)	26/9-65B (AR97654x1)	26/9-65C (AR97655x1)
				26/9-82 (RE65908x1)	26/9-82A (RE65909x1)	-	-
				26/9-89 (R525767x2)	26/9-89A (RE534185x1)	-	-
				26/9-127 (R529318x1)	-	-	-

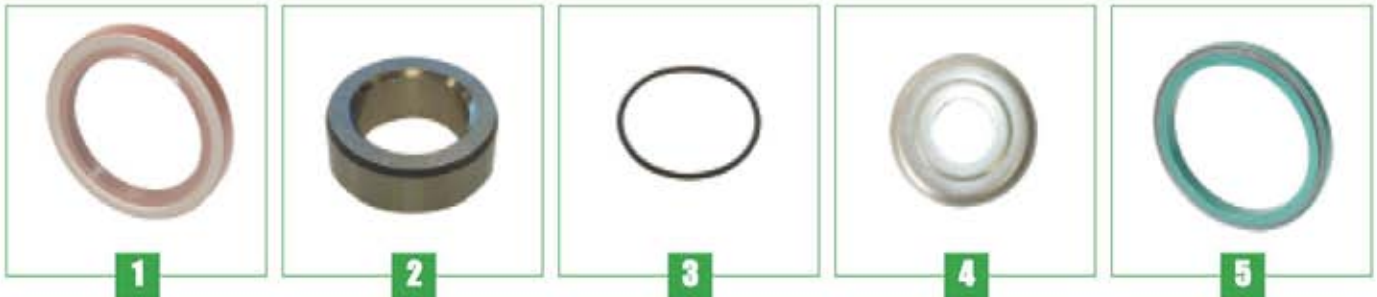
Part numbers are quoted for reference purposes only.  
Our parts and accessories are not original

**"THE RELIABLE SERVICE"**

Las referencias originales tienen un propósito identifica-  
tivo. Nuestras piezas no son originales



## CRANKSHAFT SEALS RETENES DE CIGÜEÑAL



Tractors <i>Tractores</i>	Engines <i>Motores</i>	Front seal <i>Reten delant.</i>	Wear sleeve <i>Casquillo</i>	O'Ring <i>Juntas tóricas</i>	Oil slinger <i>Deflector de aceite</i>	Rear seal <i>Reten trasero</i>				
		1	2	3	4	5				
<b>3 cylinder engines / Motores 3 cilindros</b>										
310, 510 820, 920 1020 (EU ⇄085099), 1020 (USA)	3152D					26/13-140 (T20326) Early models <i>Primer. modelos</i> 145,50x117,7x23				
1020 (EU 085100 ⇄), 1120	3164D					26/13-11 (AR92893) Late models <i>Últim. modelos</i> 146,20x118,4x12,82				
830 (USA)	3152D					26/13-11 (AR92893) Early Single Lip <i>Primero labio simple</i> 146,20x118,4x12,82				
830 (EU), 930 1030, 1035, 1130, 1520, 1530 2040 (USA ⇄349999)	3164D					26/13-141 (RE44574) Unitized Seal <i>Retén unificado</i> 146,20x117,7x14,55				
840, 940 1040, 1140, 1630, 1635 2040 (USA 350000 ⇄), 2150, 2240, 2255	3179D					26/11-14 (AR67942)	26/11-14A (R81989)	26/6011-1 (H35244)	26/11-14B (T20046)	26/13-141 (RE44574)
1350, 1445F, 1550, 1745F, 1750, 1845F, 1850, 1850N, 2155	3179D									
1950, 1950N, 2345F, 2355N	3179T									
3100, 3110										
5103 (IND), 5103S (Asia), 5200, 5203 (Asia), 5203 (IND), 5303 (MEX), 5310 (Asia), 5310 (IND)	3029D									
5300, 5300N										
5400, 5400N	3029T									
5103 (IND), 5103 (USA), 5104, 5105, 5203 (IND), 5203 (USA), 5204, 5205, 5210, 5220, 5303 (MEX), 5303 (North Africa), 5303 (South America), 5303 (TUR), 5303 (ZA), 5310 (EU), 5310 (IND), 5310N (EU)	3029D Power Tech									
5103 (AUS), 5103 (USA), 5203 (AUS), 5203 (USA), 5215, 5303 (AUS), 5303 (EU), 5303 (USA), 5310 (USA), 5310N (USA), 5310S, 5315, 5320, 5320N, 5403, 5410 (EU), 5410 (IND), 5410N, 5503, 5610	3029T Power Tech									

Part numbers are quoted for reference purposes only.  
 Our parts and accessories are not original

**"THE RELIABLE SERVICE"**

Las referencias originales tienen un propósito identificativo. Nuestras piezas no son originales

**CRANKSHAFT SEALS**  
**RETENES DE CIGUEÑAL**



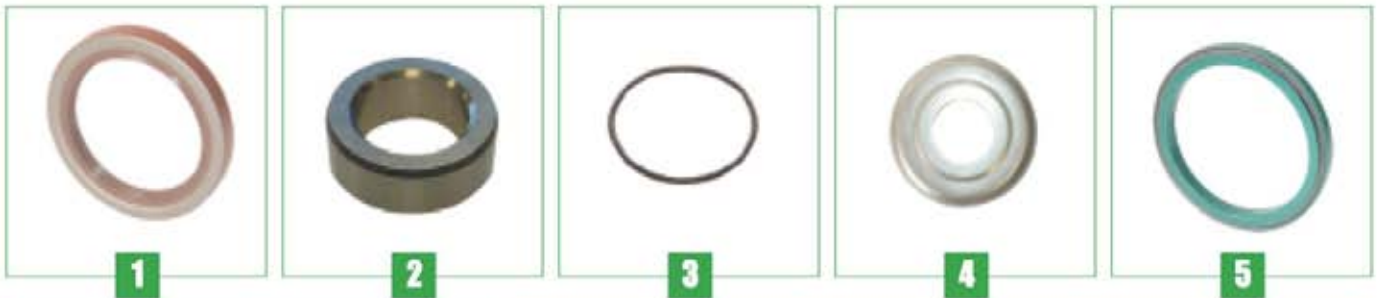
Tractors <i>Tractores</i>	Engines <i>Motores</i>	Front seal <i>Reten delant.</i>	Wear sleeve <i>Casquillo</i>	O'Ring <i>Juntas tóricas</i>	Oil slinger <i>Deflector de aceite</i>	Rear seal <i>Reten trasero</i>				
		1	2	3	4	5				
<b>4 cylinder engines / Motores 4 cilindros</b>										
710 2020, 2510	4202D	26/11-14 (AR67942)			26/11-14B (T20046)	26/13-140 (T20326) Early models <i>Primer. modelos</i> 145,50x117,7x23				
2120	4219D					26/13-11 (AR92893) Late models <i>Últim. modelos</i> 146,20x118,4x12,82				
1830 2030, 2035, 2440, 2520	4239D					26/13-11 (AR92893) Early Single Lip <i>Primero</i> <i>labio simple</i> 146,20x118,4x12,82				
1840 2130, 2135, 2350, 2550						26/13-141 (RE44574) Unitized Seal <i>Retén unificado</i> 146,20x117,7x14,55				
1640 2040 (EU), 2040S, 2450 (ES), 2450F	4239D						26/11-14A (R81989)	26/6011-1 (H35244)		
2140, 2650 (ES), 2650F, 2750, 2850	4239T									
2250, 2355, 2450 (DE), 2555CS, 2650CS	4239D									
2555TSS, 2650N, 2650TSS, 2755, 2855N	4239T									26/13-141 (RE44574)
2630, 2640	4276D									
3010, 3020	4270D					26/11-51 (AR49025)				26/13-51 (RE22764, RE504363, RE520036)
3200, 3200X, 3210, 3210X	4039D									
3400, 3400X, 3410, 3410X 5500, 5500N	4039T	26/11-14 (AR67942)	26/11-14A (R81989)	26/6011-1 (H35244)	26/11-14B (T20046)					
3300, 3300X, 3310, 3310X	4045D									
3210, 3210X, 3310, 3310X 5403 (BR), 5410 (USA), 5415, 5415N, 5420, 5420N, 5425 (MEX), 5425N (MEX), 5603 (BR), 5805, 5615 (MEX), 5615 (TUR), 5620, 5625 (MEX)	4045D Power Tech	26/11-40 (RE59810, RE505515, RE516340) Unitized Seal <i>Retén</i> <i>unificado</i>				26/13-141 (RE44574)				
3410, 3410X 5425 (USA), 5425N (USA), 5510, 5510N, 5515, 5520, 5520N, 5525, 5525N, 5603 (USA), 5615 (EU), 5625 (USA), 5705, 5715, 5720, 5725, 5725N, 5820	4045T Power Tech									

Part numbers are quoted for reference purposes only.  
 Our parts and accessories are not original

**"THE RELIABLE SERVICE"**

Las referencias originales tienen un propósito identificativo. Nuestras piezas no son originales

## CRANKSHAFT SEALS RETENES DE CIGÜEÑAL



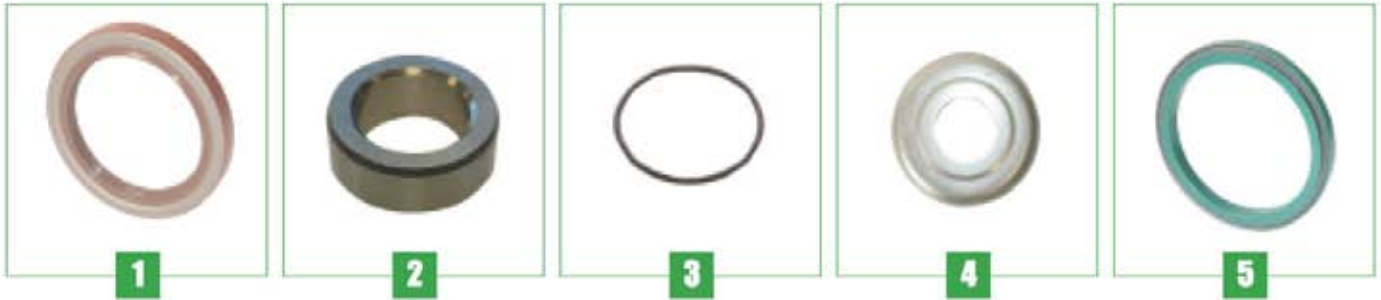
Tractors <i>Tractores</i>	Engines <i>Motores</i>	Front seal <i>Reten delant.</i>	Wear sleeve <i>Casquillo</i>	O'Ring <i>Juntas tóricas</i>	Oil slinger <i>Deflector de aceite</i>	Rear seal <i>Reten trasero</i>
		1	2	3	4	5
<b>4 cylinder engines / Motores 4 cilindros</b>						
6200, 6200L, 6200SE, 6300, 6300L, 6300SE	4039T					
6100, 6100SE	4045D	26/11-14 (AR67942)	26/11-14A (R81989)	26/6011-1 (H35244)	26/11-14B (T20046)	
6400, 6400L, 6400SE, 6400SP (TP001), 6500, 6500L	4045T					
6010, 6010SE 6020, 6020SE (⇨799999)	4045D Power Tech		-	-	-	
6020, 6020SE (800000 ⇨) 6110, 6110L, 6110SE, 6120, 6120L, 6120SE, 6205, 6210, 6210L, 6210SE, 6215, 6220, 6220L, 6220SE, 6310, 6310L, 6310S, 6310SE, 6320SE (⇨799999), 6400SP (TP054), 6403, 6405, 6410, 6410L, 6410S, 6410SE, 6415 (BR), 6415 (MEX), 6425 (MEX), 6510L, 6510S	4045T Power Tech	26/11-40 (RE59810, RE505515, RE516340) Unitized Seal <i>Retén unificado</i>	-	-	-	26/13-141 (RE44574)
6320, 6320L, 6320SE (800000 ⇨), 6415 (USA), 6420, 6420L, 6420S, 6420SE, 8520L	4045H Power Tech		-	-	-	
6130, 6225, 6230, 6230PR, (USA), 6325, 6330, 6330PR (USA), 6425 (EU), 6430, 6430PR (USA)	4045H Power Tech E		-	-	-	
6230PR, 6330PR, 6430PR	4045H Power Tech Plus		-	-	-	
<b>6 cylinder engines / Motores 6 cilindros</b>						
3120	6303D					26/13-11 (AR92893) Early Single Lip <i>Primero labio simple</i> 146,20x118,4x12,82
2840 3030, 3130, 3135 4030	6329D	26/11-14 (AR67942)	26/11-14A (T30413, R81989)	26/6011-1 (H35244)	26/11-14B (T20046)	26/13-141 (RE44574) Unitized Seal <i>Retén unificado</i> 148,20x117,7x14,55
2940, 2950, 2955 3040, 3050, 3055, 3140, 3150, 3155, 3340, 3350 (DE) 3350 (ES ⇨155860), 3640	6359D					26/13-141 (RE44574)
3255, 3350 (ES 761166 ⇨), 3640S, 3650 4040 (EU), 4040S, 4050	6359T					

Part numbers are quoted for reference purposes only.  
 Our parts and accessories are not original

**"THE RELIABLE SERVICE"**

Las referencias originales tienen un propósito identifica-  
 tivo. Nuestras piezas no son originales

**CRANKSHAFT SEALS**  
**RETENES DE CIGÜENAL**



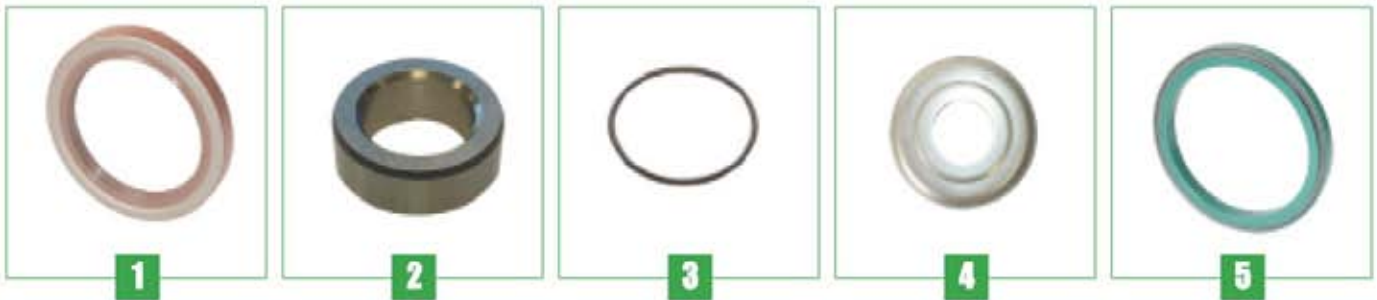
Tractors <i>Tractores</i>	Engines <i>Motores</i>	Front seal <i>Reten delant.</i>	Wear sleeve <i>Casquillo</i>	O'Ring <i>Juntas tóricas</i>	Oil slinger <i>Deflector de aceite</i>	Rear seal <i>Reten trasero</i>					
		1	2	3	4	5					
<b>6 cylinder engines / Motores 6 cilindros</b>											
4000, 4010, 4020, 4040 (USA), 4230	6404D	26/11-51 (AR49025)	-	-	-	26/13-51 (RE22764, RE520036)					
4050, 4240	6486D										
4050E, 4240S, 4250, 4350, 4440, 4450, 4455 (MEX)	6486T										
4055, 4255, 4455, 4555, 4560	6076T										
4320, 4430, 4520	6404T										
4620, 4630	6404A										
4640, 4650, 4840, 4850	6466A										
4755, 4760, 4955, 4960	6076A										
6600 7200	6059T	26/11-14 (AR67942)	26/11-14A (R81989)	26/6011-1 (H35244)	26/11-14B (T20046)	26/13-141 (RE44574)					
6506	6068D										
6800, 6900 7400, 7500 (↔001336), 7600	6068T										
6505, 6510, 6510SE 6515, 6520, 6520SE (↔799999)	6068D Power Tech										
6520, 6520SE, 6620, 6620SE, 6715 (↔799999)	6068T Power Tech										
6603, 6605, 6610, 6610SE, 6615 (BR), 6810, 6910, 6910S, 6920SE											
7210, 7220, 7320, 7405, 7410, 7420, 7425, 7500 (001337↔), 7505, 7510, 7515, 7520, 7525, 7610, 7810 (BR)											
6515, 6520, 6520SE, 6620, 6620SE, 6715 (800000 ↔) 6615 (USA), 6820, 6920, 6920S 7220, 7320, 7420 (USA), 7520 (USA), 7715, 7720, 7815, 7820 (EU)	6068H Power Tech						26/11-40 (RE59810, RE505515, RE516340) Unitized Seal <i>Retén unificado</i>	-	-	-	26/13-141 (RE44574)
6525, 6530, 6630, 6830, 6930 7130, 7130PR, 7230, 7230PR, 7330, 7330PR, 7430PR (USA)	6068H Power Tech E						-	-	-	26/13-51 (RE22764, RE504363, RE520036)	
6530PR, 6630PR, 6830PR, 6930PR 7130PR, 7230PR, 7330PR, 7430PR, 7530PR, 7630, 7730, 7730, 7830	6068H Power Tech Plus						-	-	-		
7020	6404A	26/11-51 (AR49025)	-	-	-	26/13-51 (RE22764, RE504363, RE520036)					
7700, 7800	6076T		-	-	-						

Part numbers are quoted for reference purposes only.  
 Our parts and accessories are not original

**"THE RELIABLE SERVICE"**

Las referencias originales tienen un propósito identificativo. Nuestras piezas no son originales

## CRANKSHAFT SEALS RETENES DE CIGÜEÑAL




Tractors <i>Tractores</i>	Engines <i>Motores</i>	Front seal <i>Reten delant.</i>	Wear sleeve <i>Casquillo</i>	O'Ring <i>Juntas tóricas</i>	Oil slinger <i>Deflector de aceite</i>	Rear seal <i>Reten trasero</i>
		1	2	3	4	5
<b>6 cylinder engines / Motores 6 cilindros</b>						
7710, 7810 (USA) (⇔089999)	6081T Power Tech		-	-	-	26/13-51 (RE22764, RE504363, RE520036)
8100, 8200, 8300 (⇔009999)	6076H		-	-	-	
7710, 7810 (USA) (090000⇔) 7820 (USA), 7920 8100, 8200, 8300 (010000⇔) 8100T, 8110, 8110T, 8120, 8120T, 8200T, 8210, 8210T, 8220, 8220T, 8300T, 8310, 8310T, 8320, 8320T, 8400, 8400T, 8410, 8410T, 8420, 8420T, 8520, 8520T 9100, 9120	6081H Power Tech	26/11-51 (AR49025)	-	-	-	
8130, 8230, 8330, 8430, 8530 Reg I or II Non-certified Emission Engine <i>Tier I o II Motor con emisiones no certifi.</i>	6090H Power Tech		-	-	-	-
8430, 8440, 8450	6466A		-	-	-	26/13-51 (RE22764, RE504363, RE520036)
8560, 8570	6076H		-	-	-	

## CRANKSHAFT PULLEY POLEA DE CIGÜEÑAL

Tractors <i>Tractores</i>	Engines <i>Motores</i>	Crankshaft pulley <i>Polea de cigüeñal</i>
<b>3 cylinder engines / Motores 3 cilindros</b>		
310, 510 820, 830, 920 1020 (EU ⇔085099), 1020 (USA)	3152D	26/59-4 (T25366)
830 (EU), 930 1020 (EU 085100 ⇔), 1120 1030, 1035, 1130, 1520, 1530 2040 (USA ⇔349999)	3164D	
1630, 1635 2240 (⇔349999)	3179D	
<b>4 cylinder engines / Motores 4 cilindros</b>		
710 2020, 2510	4202D	26/59-5 (T25365, R59312)
1830 2030, 2035, 2120 2440, 2520	4219D	
2130, 2135	4239D	
2630, 2640	4276D	



**FLYWHEEL ASSEMBLIES**  
**VOLANTES DE MOTOR**

Tractors <i>Tractores</i>	Engines <i>Motores</i>	Flywheel <i>Volante de motor</i>	
<b>3 cylinder engines / Motores 3 cilindros</b>			
2355N (Flywheel marked R80986 / <i>Marcaje sobre volante de motor</i> )	3179T	 <p><b>26/296-2</b>            (RE18678)            (A) 21mm            Ø 330mm</p>	
<b>4 cylinder engines / Motores 4 cilindros</b>			
040S, 2130, 2135, 2250, 2450 (DE), 2555CS, 2650CS 2350 (With 320mm diaph. single clutch / <i>Con embrague simple diafra. 320mm</i> ), 2355, 2450 (ES), 2450F (Embrague simple / <i>Single clutch</i> ), 2550 (Except with reverser / <i>Salvo con inversor</i> )	4239D		
2140, 2555TSS, 2650 (ES), 2650F, 2650N, 2650TSS, 2750, 2755, 2850, 2855N	4239T		
2630, 2640	4276D		
<b>6 cylinder engines / Motores 6 cilindros</b>			
3120	6303D		
2840 3030, 3130, 3135	6329D		
2940, 2950, 2955 3040, 3050, 3140, 3150 (ES), 3340, 3350(DE), 3350 (ES ⇔ 155860)	6359D		
3350 (ES 761166⇔)	6359T		
2955, 3040, 3050, 3140 (DE), 3350 (DE) (With increased lift capacity/ <i>Con capacidad de alzamiento reforzada</i> ) 3150 (USA), 3640	6359D		
3640S	6359T		
3055	6359D	<p><b>26/296-3</b>            (RE31572)            (A) 27mm            Ø 330mm</p>	
3055 (With increased lift capacity/ <i>Con capacidad de alzamiento reforzada</i> ) 3155			
3255, 3650			

## FLYWHEEL RING GEARS AND REAR HOUSING GASKETS CORONA DE VOLANTE Y JUNTAS TRASERAS



**1**

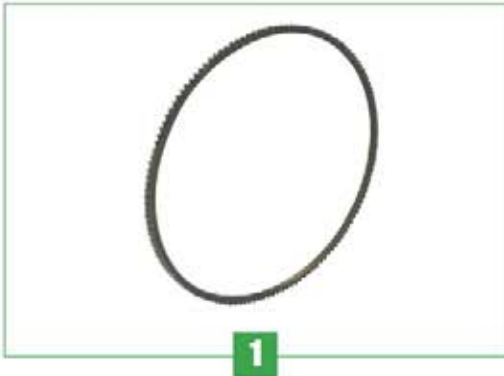


**2**

See page 35 for the flywheel ring gear and rear housing gasket pictures / Ver pagina 35 para las fotos de corona de volante y de juntas traseras

Tractors <i>Tractores</i>	Engines <i>Motores</i>	Flywheel ring gear <i>Corona de volante</i>	Rear housing gasket <i>Juntas traseras</i>
		<b>1</b>	<b>2</b>
<b>3 cylinder engines / Motores 3 cilindros</b>			
310, 510		-	
820, 830 (USA), 920 1020 (EU ↔085099), 1020 (USA)	3152D		
830 (EU), 930 1020 (EU 085100↔), 1030, 1035, 1120, 1130, 1520, 1530 2040 (USA ↔349999)	3164D		<b>26/17-10</b> (T23596, R49516, R70483, R97351)
840, 940 1040, 1140, 1350, 1445F, 1550, 1630, 1635, 1745F, 1750, 1845F, 1850, 1850N 2040 (USA 350000↔), 2150, 2155, 2240, 2255	3179D		
1950, 1950N 2345F, 2355N	3179T		
3100, 3110 5103 (IND), 5103S (Asia), 5203 (Asia), 5203 (IND), 5310 (Asia), 5310 (IND)	3029D		
5103 (IND), 5103 (USA), 5104, 5203 (IND), 5203 (USA), 5204, 5303 (North Africa), 5303 (TUR), 5310 (IND)	3029D Power Tech	<b>26/15-6</b> (T20088, R114282) Z = 142	<b>26/17-10</b> (R97351)
5103 (USA), 5203 (USA), 5303 (USA), 5310S, 5403 (North Africa), 5403 (South America), 5403 (TUR), 5403 (USA), 5403 (ZA), 5410 (IND), 5503 (TUR), 5610	3029T Power Tech		
5200, 5300, 5300N	3029D		
5400, 5400N	3029T		<b>26/17-10</b> (R97351) Early design <i>Primeros modelos</i>
5210, 5220, 5310 (EU), 5310N	3029D Power Tech		<b>26/17-18</b> (R515021) Late Design with R515019 Housing <i>Ultimos mod. con caja R515019</i>
5103 (AUS), 5203 (AUS), 5215, 5303 (AUS), 5310 (USA), 5310N (USA), 5315, 5320, 5320N, 5403 (AUS) 5410 (EU), 5410N	3029T Power Tech		
5105, 5205, 5303 (MEX), 5303 (South America), 5303 (ZA)	3029D Power Tech		
5303 (EU), 5403 (EU), 5503 (EU)	3029T Power Tech		<b>26/17-18</b> (R515021)

## FLYWHEEL RING GEARS AND REAR HOUSING GASKETS CORONA DE VOLANTE Y JUNTAS TRASERAS



**1**



**2**

See page 35 for the flywheel ring gear and rear housing gasket pictures / Ver pagina 35 para las fotos de corona de volante y de juntas traseras

Tractors Tractores	Engines Motores	Flywheel ring gear Corona de volante	Rear housing gasket Juntas traseras
		1	2
<b>4 cylinder engines / 4 Motores cilindros</b>			
710	4202D		
2020, 2510			
1830	4219D		
2030, 2035, 2120, 2440, 2520			
1640, 1840	4239D	<b>26/15-6</b> (T20088, R114282) Z = 142	<b>26/17-10</b> (R23596, R49516, R70483, R97351)
2040 (EU), 2040S, 2130, 2135, 2250, 2350, 2355, 2450, 2550, 2555CS, 2650CS			
2140, 2555TSS, 2650 (ES), 2650F, 2650N, 2650TSS, 2750, 2755, 2850, 2855N	4239T		
2630, 2640	4276D		
3010, 3020	4270D	<b>26/15-20</b> (R28811) Z = 129	<b>26/17-19</b> (R26058, R520504, R522768)
3200, 3200X, 3210, 3210X	4039D		
3400, 3400X, 3410, 3410X	4039T		<b>26/17-10</b> (R97351)
3300, 3300X, 3310, 3310X	4045D		
3210, 3210X, 3310, 3310X	4045D Power Tech		<b>26/17-20</b> (R502428)
3410, 3410X	4045T Power Tech		
5500, 5500N	4039T	<b>26/15-6</b> (T20088, R114282) Z = 142	<b>26/17-10</b> (R97351) Early design Primeros modelos <b>26/17-18</b> (R515021) Late Design with R515019 Housing Ultimos mod. con caja R515019
5403 (BR), 5410 (USA), 5415, 5415N, 5420, 5420N, 5605, 5615 (MEX)	4045D Power Tech		<b>26/17-10</b> (R97351) Early design Primeros modelos <b>26/17-21</b> (R515050) Late Design with R515028 Housing Ultimos mod. con caja R515028

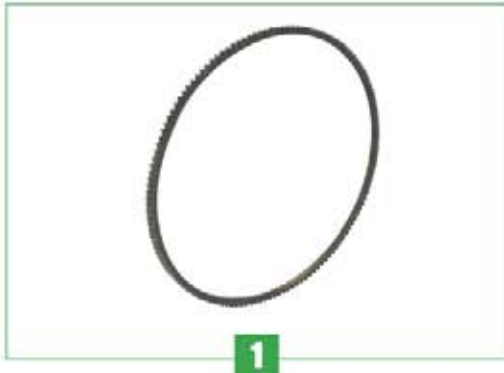
Part numbers are quoted for reference purposes only.  
 Our parts and accessories are not original

**"THE RELIABLE SERVICE"**

Las referencias originales tienen un propósito identificativo. Nuestras piezas no son originales



## FLYWHEEL RING GEARS AND REAR HOUSING GASKETS CORONA DE VOLANTE Y JUNTAS TRASERAS



1



2

See page 35 for the flywheel ring gear and rear housing gasket pictures / Ver pagina 35 para las fotos de corona de volante y de juntas traseras

Tractors <i>Tractores</i>	Engines <i>Motores</i>	Flywheel ring gear <i>Corona de volante</i>	Rear housing gasket <i>Juntas traseras</i>
		1	2
<b>4 cylinder engines / Motores 4 cilindros</b>			
5510, 5510N, 5515, 5520, 5520N, 5615 (EU), 5705, 5715 (MEX)	4045T Power Tech	26/15-6 (T20088, R114282) Z = 142	26/17-10 (R97351) Early design <i>Primeros modelos</i>  26/17-21 (R515050) Late Design with R515028 Housing <i>Ultimos mod. con caja R515028</i>
5425 (MEX), 5425N (MEX), 5603 (BR), 5615 (TUR), 5625 (MEX)	4045D Power Tech		26/17-21 (R515050)
5425 (USA), 5425N (USA), 5525, 5525N, 5603 (USA), 5625 (USA), 5715 (TUR), 5725, 5725N	4045T Power Tech		
5620	4045D Power Tech		26/17-17 (DD15664) Liquid Gasket <i>Junta liquido</i>
5720, 5820	4045T Power Tech		
6100, 6100SE	4045D		26/17-10 (R97351)
6200, 6200L, 6200SE, 6300, 6300L, 6300SE	4039T		
6400, 6400L, 6400SE, 6400SP (TP001), 6500, 6500L	4045T		26/17-17 (DD15664) Liquid Gasket <i>Liquido forma juntas</i>
6010, 6010SE 6020, 6020SE (⇔799999)	4045D Power Tech		
6020, 6020SE (800000⇔) 6110, 6110L, 6110SE, 6120, 6120L, 6120SE, 6205, 6210, 6210L, 6210SE, 6215, 6220, 6220L, 6220SE, 6310, 6310L, 6310S, 6310SE, 6320SE (⇔799999), 6400SP (TP054), 6405, 6410, 6410L, 6410S, 6410SE, 6415 (BR), 6415 (MEX), 6425 (MEX), 6510L, 6510S	4045T Power Tech		
6320, 6320L, 6320SE (800000⇔), 6415 (USA), 6420, 6420L, 6420S, 6420SE, 6520L	4045H Power Tech		26/15-20 (R28811) Z = 129
6130, 6225, 6230, 6230PR (USA), 6325, 6330, 6330PR (USA), 6425 (EU), 6430, 6430PR (USA)	4045H Power Tech E		

## FLYWHEEL RING GEARS AND REAR HOUSING GASKETS CORONA DE VOLANTE Y JUNTAS TRASERAS



1



2

See page 35 for the flywheel ring gear and rear housing gasket pictures / Ver pagina 35 para las fotos de corona de volante y de juntas traseras

Tractors <i>Tractores</i>	Engines <i>Motores</i>	Flywheel ring gear <i>Corona de volante</i>	Rear housing gasket <i>Juntas traseras</i>
		1	2
<b>4 cylinder engines / Motores 4 cilindros</b>			
6230PR, 6330PR, 6430PR	4045H Power Tech Plus	26/15-20 (R28811) Z = 129	26/17-17 (DD15664) Liquid Gasket <i>Líquido forma juntas</i>
6403	4045H Power Tech Plus		-
<b>6 cylinder engines / Motores 6 cilindros</b>			
3120	6303D	26/15-6 (T20088, R114282) Z = 142	26/17-10 (R70483, R97351)
2840	6329D		
3030, 3130, 3135	6359D		
2940, 2950, 2955 3040, 3050, 3055, 3140, 3150 (ES), 3340, 3350(DE), 3350 (ES ⇨ 155860)	6359T		
3350 (ES 761166⇨)	6359D		
2955, 3040, 3050, 3055, 3140 (DE), 3350 (DE) (With increased lift capacity/ <i>Con capacidad de alzamiento reforzada</i> ) 3150 (USA), 3155, 3640	6359T		
3255, 3640S, 3650	6329D		
4030	6359T		
4040 (EU), 4040S	6404D		
4050	6466D		
4000, 4010, 4020, 4040 (USA), 4230	6466T	26/15-20 (R28811) Z = 129	26/17-19 (R26058, R520504, R522768)
4050, 4240	6076T		
4050E, 4240S, 4250, 4350, 4440, 4450, 4455 (MEX)	6404T		
4055, 4255, 4455, 4555, 4560	6404A		
4320, 4430, 4520			
4620, 4630			

## FLYWHEEL RING GEARS AND REAR HOUSING GASKETS CORONA DE VOLANTE Y JUNTAS TRASERAS



1



2

See page 35 for the flywheel ring gear and rear housing gasket pictures / Ver pagina 35 para las fotos de corona de volante y de juntas traseras

Tractors Tractores	Engines Motores	Flywheel ring gear Corona de volante	Rear housing gasket Juntas traseras	
		1	2	
<b>6 cylinder engines / Motores 6 cilindros</b>				
4640, 4650, 4840, 4850	6466A		26/17-19 (R26058, R520504, R522768)	
4755, 4760, 4955, 4960	6076A			
6600 7200	6059T			
6506	6068D		26/17-10 (R97351)	
6800, 6900 7400, 7500 (⇔001336), 7600	6068T			
6505, 6510, 6510SE 6515, 6520, 6520SE (⇔799999)	6068D Power Tech			
6520, 6520SE, 6620, 6620SE, 6715 (⇔799999) 6605, 6610, 6610SE, 6615 (BR), 6810, 6910, 6910S, 6920SE 7210, 7220, 7320, 7405, 7410, 7420, 7425, 7500 (001337⇔), 7505, 7510, 7515, 7520, 7525, 7610, 7810 (BR)	6068T Power Tech			
6515, 6520, 6520SE, 6620SE, 6715 (800000⇔), 6615 (USA), 6620, 6820, 6920, 6920S 7220, 7320, 7420 (USA), 7520 (USA), 7715, 7720, 7815, 7820 (EU)	6068H Power Tech		26/15-20 (R28811) Z = 129	26/17-17 (DD15664) Liquid Gasket Líquido forma juntas
6525, 6530, 6630, 6830, 6930 7130, 7130PR, 7230, 7230PR, 7330, 7330PR, 7430PR (USA)	6068H Power Tech E			
6530PR, 6630PR, 6830PR, 6930PR 7130PR, 7230PR, 7330PR, 7430PR, 7530PR, 7630, 7730, 7730, 7830	6068H Power Tech Plus			
6603	6068T Power Tech			
7020	6404A			
7700, 7800	6076T			
7710, 7810 (USA) (⇔089999)	6081T Power Tech			
8100, 8200, 8300 (⇔009999)	6076H			26/17-19 (R26058, R520504, R522768)

## FLYWHEEL RING GEARS AND REAR HOUSING GASKETS CORONA DE VOLANTE Y JUNTAS TRASERAS



**1**



**2**

Tractors <i>Tractoros</i>	Engines <i>Motores</i>	Flywheel ring gear <i>Corona de volante</i>	Rear housing gasket <i>Juntas traseras</i>
		<b>1</b>	<b>2</b>
<b>6 cylinder engines / Motores 6 cilindros</b>			
7710, 7810 (USA) (090000⇔) 7820 (USA), 7920 8100, 8200, 8300 (010000⇔) 8100T, 8110, 8110T, 8120, 8120T, 8200T, 8210, 8210T, 8220, 8220T, 8300T, 8310, 8310T, 8320, 8320T, 8400, 8400T, 8410, 8410T, 8420, 8420T, 8520, 8520T 9100, 9120	6081H Power Tech	26/15-20 (R28811) Z = 129	26/17-19 (R26058, R520504, R522768)
8130, 8230, 8230T, 8330, 8330T, 8430, 8430T, 8530, 9230	6090H Power Tech Plus		
8430, 8440, 8450	6466A		
8560, 8570	6076H		

<b>26/15-6</b> Z = 142 Teeth / <i>Dientes</i> Ø int. 339mm Ø ext. 365mm	<b>26/15-20</b> Z = 129 Teeth / <i>Dientes</i> Ø int. 385mm Ø ext. 415mm	<b>26/17-10</b>	<b>26/17-17</b>	<b>26/17-18</b>
<b>26/17-19</b>	<b>26/17-20</b>	<b>26/17-21</b>	<b>26/17-23</b>	

Part numbers are quoted for reference purposes only.  
 Our parts and accessories are not original

**"THE RELIABLE SERVICE"**

Las referencias originales tienen un propósito identifica-  
 tiva. Nuestras piezas no son originales

## CONNECTING RODS & RELATED PARTS BIELAS Y PIEZAS RELACIONADAS



Tractors <i>Tractores</i>	Engines <i>Motores</i>	Piston Pin dia. <i>Bulón de pistón Ø</i>	Conrod <i>Biela</i>	Conrod bear. kit <i>Juego cojinetes biela</i>	Conrod bolt <i>Tornillo biela</i>	Conrod bush <i>Casquillo biela</i>
			1	2	3	4
<b>3 cylinder engines / Motores 3 cilindros</b>						
310, 510 820, 830 (USA) 920, 1020 (EU↔085099) 1020 (USA)	3152D	(T23482) 30mm (1.19")	26/25-9 (AT18005, RE19733)		26/26-7 (R74194) For/Para AT18005	26/28-9 (T23471) Type I
1020 (EU 085100↔199742) 1120 (↔199742) 1520 1530 (↔179600)	3164D	(T26149) 30mm (1.19")			26/26-8 (R80033) For/Para RE19733	
830 (EU), 930 1030, 1035, 1130 1020 (EU 199743↔), 1120 (199743↔) 1530 (179601↔) 2040 (USA ↔349999)	3179D	(R125754) 35mm (1.38")  (RE63914) Kit	26/25-10 (AR55978, RE16495, SE500747, RE21076)	26/3-12 (B930) (3 x 26/9-12 (RE27348))	26/26-7 (R74194) For/Para AR55978	26/28-10 (R55647) Type I
840, 940 1040, 1140, 1350, 1445F, 1550, 1630, 1635, 1745F, 1750, 1845F, 1850, 1850N, 2040 (USA 350000↔), 2150, 2155, 2240, 2255	3179T	(R124230) 41mm (1.62")  (RE63913) Kit			26/26-8 (R80033)	
1950, 1950N, 2345F, 2355N	3179T	(R125754) 35mm (1.38")  (RE63914) Kit	26/25-10 (SE500747, RE21076)		26/26-8 (R80033)	26/28-10 (R55647) Type I
3100, 3110 (↔384505)	3029D	(R125754) 35mm (1.38")  (RE63914) Kit	26/25-10 (SE500747, RE21076)		26/26-8 (R80033) For/Para RE68540 & RE507799	26/28-10 (R55647) Type I
3100 (SB RE65004), 3110 (384506 ↔) 5103 (IND), 5103S (Asia), 5203 (Asia), 5203 (IND), 5303 (MEX), 5310 (Asia), 5310 (IND)		(R130145) 32mm (1.26")  (RE508859) Kit				

Main and conrod bearing sets are available in 0.010"- 0.020"- 0.030" undersize. Please add the suffix A, B, or C respectively. / Cojinetes de bancada y de biela disponibles en las siguientes sobremedidas 0.254mm (0.010"), 0.508mm (0.020") and 0.762mm (0.030"). Adjuntar los prefijos A, B, o C respectivamente

Part numbers are quoted for reference purposes only.  
Our parts and accessories are not original

**"THE RELIABLE SERVICE"**

Las referencias originales tienen un propósito identificativo. Nuestras piezas no son originales

## CONNECTING RODS & RELATED PARTS BIELAS Y PIEZAS RELACIONADAS



Tractors Tractores	Engines Motores	Piston Pin dia. Bulón de pistón Ø	Conrod Biela	Conrod bear kit Juego cojinetes biela	Conrod bolt Tornillo biela	Conrod bush Casquillo biela
			1	2	3	4
<b>3 cylinder engines / Motores 3 cilindros</b>						
5103 (IND), 5103 (USA), 5104, 5203 (IND), 5203 (USA), 5204, 5303 (MEX), 5303 (North Africa), 5303 (South America), 5303 (TUR), 5303 (ZA), 5310 (IND)	3029D Power Tech	(R130145) 32mm (1.26")	(RE68540, RE507799, RE501674)	26/3-12 (B930) (3 x 26/9-12 (RE27348))	26/26-8 (R80033) For/Para RE68540 & RE507799	26/28-110 (R130601) Type I
5103 (AUS), 5103 (USA), 5203 (AUS), 5203 (USA), 5303 (AUS), 5303 (EU), 5303 (USA), 5310S, 5403, 5410 (IND), 5503, 5610	3029T Power Tech	(RE508859) Kit			26/26-93 (R501124) For/Para RE501674	
5200 (⇔262108) 5300 (USA ⇔291222)	3029D	(R107707) 35mm (1.38")	(RE44416)		26/26-8 (R80033)	26/28-98 (R116816) Type II
5200 (262109 ⇔) 5300 (USA 291223 ⇔) 5300 (EU) 5300N		(R130145) 32mm (1.26")	(RE68540, RE501674)		26/26-8 (R80033) For/Para RE68540	26/28-110 (R130601) Type I
5105, 5205, 5210, 5220, 5310 (EU), 5310N (EU)	3029D Power Tech	(RE508859) Kit			26/26-93 (R501124) For/Para RE501674	
5400, 5400N	3029T	(R123177) 41mm (1.62")	(RE40541, RE501675)		26/26-8 (R80033) For/Para RE40541	26/28-99 (R116817) Type II
5215, 5310 (USA), 5310N (USA), 5315, 5320, 5320N, 5410 (EU), 5410N	3029T Power Tech	(RE63915) Kit		26/26-93 (R501124) For/Para RE501675		

Main and conrod bearing sets are available in 0.010"- 0.020"- 0.030" undersize. Please add the suffix A, B, or C respectively. / Cojinetes de bancada y de biela disponibles en las siguientes sobremedidas: 0.254mm (0.010"), 0.508mm (0.020") and 0.762mm (0.030"). Adjuntar los prefijos A, B, o C respectivamente

## CONNECTING RODS & RELATED PARTS BIELAS Y PIEZAS RELACIONADAS



Tractors Tractores	Engines Motores	Piston Pin dia. Bulón de pistón Ø	Conrod Biela	Conrod bear. kit Juego cojinetes biela	Conrod bolt Tornillo biela	Conrod bush Casquillo biela
			1	2	3	4
<b>4 cylinder engines / Motores 4 cilindros</b>						
710 2020, 2510	4202D	(T23482) 30mm (1.19")	<b>26/25-9</b> (AT18005, RE19733)		<b>26/26-7</b> (R74194) For/Para AT18005	<b>26/28-9</b> (T23471) Type I
2030 (USA ⇔ 275484) 2120 (⇔ 199742) 2520 (30mm / 1.19" pin / aros)		(T26149) 30mm (1.19")				
1830, 2030 (EU) 2030 (USA 275485 ⇔) 2035 2120 (199743 ⇔) 2440 2520 (35mm / 1.38" pin / aros)	4219D	(R125754) 35mm (1.38")	<b>26/25-10</b> (AR55978, RE16495, SE500747, RE21076)	<b>26/3-14</b> (B932) (4 x <b>26/9-12</b> (RE27348))	<b>26/26-7</b> (R74194) For/Para AR55978	<b>26/28-10</b> (R55647) Type I
1640, 1840, 2040 (EU) 2040S, 2130, 2135, 2250, 2350, 2355, 2450, 2550, 2555CS, 2650CS	4239D	(RE63914) Kit				
2140, 2555TSS, 2650 (ES) 2650F, 2650N, 2650TSS, 2750, 2755, 2850, 2855N	4239T	(R124230) 41mm (1.62")  (RE63913) Kit	<b>26/25-90</b> (AR71068, RE16494, RE42733)		<b>26/26-7</b> (R74194) For/Para AR71068	<b>26/28-11</b> (R57451) Type I
2630, 2640	4276D	(R125754) 35mm (1.38")				
3010 3020	4270D	(R44161) 38mm (1.50")	<b>26/25-95</b> (SE500081, AR70910, AR86981)	<b>26/3-108</b> (B3108) (4 x <b>26/9-51</b> (AR45723))	<b>26/26-8</b> (R80033)	<b>26/28-120</b> (R57450) Type I

Main and conrod bearing sets are available in 0.010"-0.020"-0.030" undersize. Please add the suffix A, B, or C respectively. / Cojinetes de bancada y de biela disponibles en las siguientes sobremedidas 0.254mm (0.010"), 0.508mm (0.020") and 0.762mm (0.030"). Adjuntar los prefijos A, B, o C respectivamente

## CONNECTING RODS & RELATED PARTS BIELAS Y PIEZAS RELACIONADAS



Tractors <i>Tractores</i>	Engines <i>Motores</i>	Piston Pin dia. <i>Bulón de pistón Ø</i>	Conrod <i>Biela</i>	Conrod bear.kit <i>Juego cojinetes biela</i>	Conrod bolt <i>Tornillo biela</i>	Conrod bush <i>Casquillo biela</i>
			1	2	3	4
<b>4 cylinder engines / Motores 4 cilindros</b>						
3200, 3200X, 3210, 3210X	4039D	(R125754) 35mm (1.38") (RE63914) Kit	<b>26/25-10</b> (SE500747, RE21076)	<b>26/3-14</b> (B932) (4 x <b>26/9-12</b> (RE27348))	<b>26/26-8</b> (R80033)	<b>26/28-10</b> (R55647) Type I
3400, 3400X, 3410, 3410X 5500, 5500N	4039T	(R124230) 41mm (1.62")	<b>26/25-90</b> (RE42733)	<b>26/3-110</b> (B3110) (4 x <b>26/9-65</b> (RE47867))	<b>26/26-9</b> (R74195)	<b>26/28-11</b> (R57451) Type I
3300, 3300X, 3310, 3310X	4045D	(RE63913) Kit	(RE53716)			
3210, 3210X, 3310, 3310X 5403 (BR), 5410 (USA), 5415 (EU), 5415 (MEX), 5415N, 5420, 5420N, 5425 (MEX), 5425N (MEX), 5603 (BR), 5605, 5615 (MEX), 5615 (TUR), 5620, 5625 (MEX)	4045D Power Tech	(R123178) 35mm (1.38")	<b>26/25-97</b> (RE500002)	<b>26/3-81</b> (B381) (4 x <b>26/9-82</b> (RE65908))	<b>26/26-93</b> (R501124)	<b>26/28-30</b> (R123960) Type I
3410, 3410X 5425 (USA), 5425N (USA), 5510, 5510N, 5515, 5520, 5520N, 5525, 5525N, 5603 (USA), 5615 (EU), 5625 (USA), 5705, 5715, 5725, 5725N	4045T Power Tech					
5720, 5820	4045T Power Tech	(R123177) 41mm (1.62")	<b>26/25-98</b> (RE500608)			
6200, 6200L, 6200SE, 6300, 6300L, 6300SE	4039T	(R124230) 41mm (1.62")	<b>26/25-90</b> (RE42733)	<b>26/3-14</b> (B932) (4 x <b>26/9-12</b> (RE27348))	<b>26/26-8</b> (R80033)	<b>26/28-11</b> (R57451) Type I
6100, 6100SE	4045D	(RE63913) Kit	(RE53716)			
6400, 6400L, 6400SE, 6400SP (TP001), 6500, 6500L	4045T			<b>26/3-110</b> (B3110) (4 x <b>26/9-65</b> (RE47867))	<b>26/26-9</b> (R74195)	

Main and conrod bearing sets are available in 0.010"- 0.020"- 0.030" undersize. Please add the suffix A, B, or C respectively. / Cojinetes de bancada y de biela disponibles en las siguientes sobremedidas: 0.254mm (0.010"), 0.508mm (0.020") and 0.762mm (0.030"). Adjuntar los prefijos A, B, o C respectivamente



## CONNECTING RODS & RELATED PARTS BIELAS Y PIEZAS RELACIONADAS



Tractors <i>Tractores</i>	Engines <i>Motores</i>	Piston Pin dia. <i>Bulón de pistón Ø</i>	Conrod <i>Biela</i>	Conrod bear. kit <i>Juego cojinetes biela</i>	Conrod bolt <i>Tornillo biela</i>	Conrod bush <i>Gasquilla biela</i>
			1	2	3	4
<b>4 cylinder engines / Motores 4 cilindros</b>						
6010, 6010SE 6020, 6020SE (⇔799999)	4045D Power Tech	(R123178) 35mm (1.38")	26/25-97 (RE60272, RE500002)		26/26-12 (R114083) For/Para RE60272  26/26-93 (R501124) For/Para RE500002	26/28-30 (R123960) Type I
6020, 6020SE (800000⇔) 6110, 6110L, 6110SE, 6120, 6120L, 6120SE, 6205, 6210, 6210L, 6210SE, 6215, 6220, 6220L, 6220SE, 6310, 6310L, 6310S, 6310SE, 6320SE (⇔799999), 6400SP (TP054) 6403, 6405, 6410, 6410L, 6410S, 6410SE, 6415 (BR), 6415 (MEX), 6425 (MEX), 6510L, 6510S	4045T Power Tech	(R123177) 41mm (1.62")	26/25-98 (RE50770, RE500608)	26/3-81 (B381) (4 x 26/9-82 (RE65908))	26/26-12 (R114083) For/Para RE50770  26/26-93 (R501124) For/Para RE500608	26/28-31 (R114082) Type III
6320, 6420, 6420S (Except / Salvo 4045HL472⇔L476) 6320SE (800000 ⇔) 6320L, 6415 (USA), 6420L, 6420SE, 6520L	4045H Power Tech					
6320, 6420, 6420S (4045HL472⇔L476)			26/25-98 (RE500608)		26/26-93 (R501124)	
6130, 6225, 6230, 6230PR (USA), 6325, 6330, 6330PR (USA), 6425 (EU), 6430, 6430PR (USA)	4045H Power Tech E	(R502755) 41mm (1.62")				
6230PR, 6330PR, 6430PR	4045H Power Tech Plus					

Main and conrod bearing sets are available in 0.010" - 0.020" - 0.030" undersize. Please add the suffix A, B, or C respectively. / Cojinetes de bancada y de biela disponibles en las siguientes sobremedidas 0.254mm (0.010"), 0.508mm (0.020") and 0.762mm (0.030"). Adjuntar los prefijos A, B, o C respectivamente

## CONNECTING RODS & RELATED PARTS BIELAS Y PIEZAS RELACIONADAS



Tractors Tractores	Engines Motores	Piston Pin dia. Bulón de pistón Ø	Conrod Biela	Conrod bear. kit Juego cojinetes biela	Conrod bolt Tornillo biela	Conrod bush Casquillo biela	
			1	2	3	4	
<b>6 cylinder engines / Motores 6 cilindros</b>							
3120	6303D	(T23482) 30mm (1.19")	<b>26/25-9</b> (AT18005, RE19733)		<b>26/26-7</b> (R74194) For/Para AT18005	<b>26/28-9</b> (T23471) Type I	
4030 (⇨277549)	6329D	(T26419) 30mm (1.19")					
2840 3030, 3130, 3135 4030 (277550⇨)	6329D	(R125754) 35mm (1.38")	<b>26/25-10</b> (AR55978, RE16495, SE500747, RE21076)	<b>26/3-16</b> (B934) (6 x <b>26/9-12</b> (RE27348))	<b>26/26-7</b> (R74194) For/Para AR55978	<b>26/28-10</b> (R55647) Type I	
2940, 2950, 2955, 3040, 3050, 3055, 3140, 3150, 3155, 3340, 3350 (DE) 3350 (ES ⇨ 155860) 3640	6359D	(RE63914) Kit					
3255, 3350 (ES 761166⇨) 3640S, 3650, 4040 (EU) 4040S, 4050	6359T	(R124230) 41mm (1.62")  (RE63913) Kit	<b>26/25-90</b> (AR71068, RE16494, RE42733)		<b>26/26-7</b> (R74194) For/Para AR71068	<b>26/28-11</b> (R57451) Type I	
4000, 4010, 4020 4040 (USA) 4230	6404D	(R44161) 38mm (1.50")	<b>26/25-95</b> (SE500081, AR70910, AR86981)	<b>26/3-51</b> (B351) (6 x <b>26/9-51</b> (AR45723))	<b>26/26-8</b> (R80033) For RE Conrods Para Biela RE y SE	<b>26/26-10</b> (R66452)	<b>26/28-20</b> (R30939) Type I

Main and conrod bearing sets are available in 0.010"- 0.020"- 0.030" undersize. Please add the suffix A, B, or C respectively. / Cojinetes de bancada y de biela disponibles en las siguientes sobremedidas 0.254mm (0.010"), 0.508mm (0.020") and 0.762mm (0.030"). Adjuntar los prefijos A, B, o C respectivamente

## CONNECTING RODS & RELATED PARTS BIELAS Y PIEZAS RELACIONADAS



Tractors <i>Tractoros</i>	Engines <i>Motores</i>	Piston Pin dia. <i>Bulón de pistón Ø</i>	Conrod <i>Biela</i>	Conrod bear. kit <i>Juego cojinetes biela</i>	Conrod bolt <i>Tornillo biela</i>	Conrod bush <i>Casquillo biela</i>
			1	2	3	4
<b>6 cylinder engines / Motores 6 cilindros</b>						
4050, 4240	6466D	(R41425) 41mm (1.62")	(SE500080, AR86980)	26/3-51 (B351) (6 x 26/9-51 (AR45723))		26/28-21 (R42173) Type I
4320, 4430, 4520	6404T					
4620, 4630	6404A					
4240S (⇨252662) 4440 (EU) 4440 (USA except / salvo SB570601⇨) (Conrods marked R57303 or R67320) (Con bielas R57303 ou R67320)	6466T	(R57771) 47mm (1.87")	(SE500079, AR87638)	26/3-52 (B352) (6 x 26/9-52 (AR73277))	26/26-10 (R66452)	26/28-25 (R60724) Type II
4050E 4240S (252663⇨) 4440 (USA SB570601⇨) 4250, 4350, 4450, 4455 (MEX) (Conrods marked R71074) (Con bielas R71074)			(SE500498, AR93341)			26/28-22 (R74008) Type III
4640 (except / salvo SB570601⇨) 4840 (except / salvo SB572027⇨) (Conrods marked R57303 ou R67320) (Con bielas R57303 or R67320)	6466A		(SE500079, AR87638)			26/28-25 (R60724) Type II
4640 (SB570601⇨) 4840 (SB572027⇨) 4650, 4850 (Conrods marked R71074) (Con bielas R71074)		(SE500498, AR93341)	26/28-22 (R74008) Type III			
4055, 4255, 4455, 4555, 4560	6076T					
4755, 4760, 4955, 4960	6076A					
6600 7200	6059T	(R124230) 41mm (1.62")	26/25-90 (RE42733)	26/3-16 (B934) (6 x 26/9-12 (RE27348))	26/26-8 (R80033)	26/28-11 (R57451) Type I
6506	6068D	(RE63913) Kit	(RE53716)	26/3-111 (B3111) (6 x 26/9-65 (RE47867))	26/26-9 (R74195)	
6800, 6900 7400, 7500 (⇨001336), 7600	6068T					
6505, 6510, 6510SE 6515, 6520, 6520SE (⇨799999)	6068D Power Tech	(R123178) 35mm (1.38")	26/25-97 (RE60272, RE500002)	26/3-82 (B382) (6 x 26/9-82 (RE65908))	26/26-12 (R114083) For/Para RE60272  26/26-93 (R501124) For/Para RE500002	26/28-30 (R123960) Type I

Main and conrod bearing sets are available in 0.010" - 0.020" - 0.030" undersize. Please add the suffix A, B, or C respectively. / Cojinetes de bancada y de biela disponibles en las siguientes sobremedidas 0.254mm (0.010"), 0.508mm (0.020") and 0.762mm (0.030"). Adjuntar los prefijos A, B, o C respectivamente

Part numbers are quoted for reference purposes only.  
Our parts and accessories are not original

**"THE RELIABLE SERVICE"**

Las referencias originales tienen un propósito identificativo. Nuestras piezas no son originales

## CONNECTING RODS & RELATED PARTS BIELAS Y PIEZAS RELACIONADAS



Tractors Tractores	Engines Motores	Piston Pin dia. Bulón de pistón Ø	Conrod Biela	Conrod bear. kit Juego cojinetes biela	Conrod bolt Tornillo biela	Conrod bush Casquillo biela
			1	2	3	4
<b>6 cylinder engines / Motores 6 cilindros</b>						
6603		(R123178) 35mm (1.38")	26/25-97 (RE500002)		26/26-93 (R501124)	26/28-30 (R123960) Type I
6520, 6520SE, 6620, 6620SE, 6715 (→799999) 6605, 6610, 6610SE, 6615 (BR), 6810, 6910, 6910S, 6920SE 7210, 7220, 7320, 7405, 7410, 7420, 7425, 7500 (001337→) 7505, 7510, 7515, 7520, 7525, 7610, 7810 (BR)	6068T Power Tech		26/25-98 (RE50770, RE500608)		26/26-12 (R114083) For/Para RE50770	
6620, 6820, 6920, 6920S (→799999) 7220, 7320 (except / salvo 6068HRW61) 7420, 7520 (except / salvo 6068HRW62)		(R123177) 41mm (1.62")			26/26-93 (R501124) For/Para RE500608	
6515, 6520, 6520SE, 6620, 6620SE, 6715 (6068HL270 to / de L273) (800000→) 6615 (USA) 7715, 7815	6068H Power Tech			26/3-82 (B382) (6 x 26/9-82 (RE65908))		26/28-31 (R114082) Type III
6520, 6620, 6820, 6920, 6920S (6068HL470 to / de L475) (800000→) 7220, 7320 (6068HRW61) 7420 (USA), 7520 (USA) (6068HRW62) 7720, 7820 (EU)			26/25-98 (RE500608)		26/26-93 (R501124)	
6525, 6530, 6830, 6830, 6930, 7130, 7130PR, 7230, 7230PR, 7330, 7330PR, 7430PR (USA)	6068H Power Tech E	(R502755) 41mm (1.62")				
6530PR, 6630PR, 6830PR, 6930PR 7130PR, 7230PR, 7330PR, 7430PR, 7530PR, 7630, 7730, 7830, 7930	6068H Power Tech Plus					
7020	6404A	(R41425) 41mm (1.62")	(SE500080, AR86980)	26/3-51 (B351) (6 x 26/9-51 (AR45723))		26/28-21 (R42173) Type I
7700, 7800	6076T	(R57771) 47mm (1.87")	(SE500498, AR93341)	26/3-52 (B352) (6 x 26/9-52 (AR73277))	26/26-10 (R66452)	26/28-22 (R74008) Type III
8100, 8200, 8300 (→009999)	6076H					

Main and conrod bearing sets are available in 0.010"- 0.020"- 0.030" undersize. Please add the suffix A, B, or C respectively. / Cojinetes de bancada y de biela disponibles en las siguientes sobremedidas: 0.254mm (0.010"), 0.508mm (0.020") and 0.762mm (0.030"). Adjuntar los prefijos A, B, o C respectivamente

Part numbers are quoted for reference purposes only.  
 Our parts and accessories are not original

**"THE RELIABLE SERVICE"**

Las referencias originales tienen un propósito identifica-  
 tivo. Nuestras piezas no son originales

## CONNECTING RODS & RELATED PARTS BIELAS Y PIEZAS RELACIONADAS



Tractors <i>Tractores</i>	Engines <i>Motores</i>	Piston Pin dia. <i>Bulón de pistón Ø</i>	Conrod <i>Biela</i>	Conrod bear kit <i>Juego cojinetes biela</i>	Conrod bolt <i>Tornillo biela</i>	Conrod bush <i>Casquillo biela</i>
			1	2	3	4
<b>6 cylinder engines / Motores 6 cilindros</b>						
7710, 7810 (USA) (⇨089999)	6081T Power Tech				26/26-10 (RE66452) ⇨086535	
8100, 8200, 8300 (010000⇨) 8100T, 8200T, 8300T, 8400, 8400T 9100		(R57771) 47mm (1.87")		26/3-89 (B389) (6 x 26/9-89 (RE57165, R525767 x 2))	26/26-94 (R501035) 086536⇨	
7710, 7810 (USA) (090000⇨) 7820 (USA), 7920 8110, 8110T, 8120, 8120T, 8210, 8210T, 8220, 8220T, 8310, 8310T, 8320, 8320T, 8410, 8410T, 8420, 8420T, 8520, 8520T 9120	6081H Power Tech				26/26-94 (R501035)	26/28-22 (R74008) Type III
8130, 8230, 8230T, 8330, 8330T, 8430, 8430T, 8530 9130	6090H Power Tech	(R517073) 47mm (1.87")		26/3-127 (B3127) (6 x 26/9-127 (RE529318))		
8430, 8440, 8450 (⇨241468 & ⇨SB572026) (Conrods marked R57303 ou R67320) (Con bielas R57303 or R67320)			(SE500079, AR87638)			26/28-25 (R60724) Type II
8430, 8440, 8450 (241469⇨ & SB572027⇨) (Conrods marked R71074) (Con bielas R71074)	6466A	(R57771) 47mm (1.87")	(SE500498, AR93341)	26/3-52 (B352) (6 x 26/9-52 (AR73277))	26/26-10 (R66452)	26/28-22 (R74008) Type III
8560, 8570	6076H					

Main and conrod bearing sets are available in 0.010"- 0.020"- 0.030" undersize. Please add the suffix A, B, or C respectively. / Cojinetes de bancada y de biela disponibles en las siguientes sobremedidas 0.254mm (0.010"), 0.508mm (0.020") and 0.762mm (0.030"). Adjuntar los prefijos A, B, o C respectivamente

Conrod screw dimensions <i>Dimensiones de tornillos de biela</i>			
	Thread <i>Rosca</i>	Length under head <i>Longitud sin contar la cabeza</i>	Thread length <i>Longitud rosca</i>
26/26-7	7/16" UNF	54mm (2.13")	28mm (1.10")
26/26-8		59mm (2.32")	
26/26-9	1/2" UNF	63mm (2.50")	30mm (1.18")
26/26-10	9/16" UNF	63mm (2.50")	20mm (0.77")
26/26-12	M12 (1.25mm)	64mm (2.52")	55mm (2.18")
26/26-93	M12 (1.50mm)	61mm (2.40")	53mm (2.07")
26/26-94	9/16" UNF	59mm (2.34")	49mm (1.94")

**OVERHAUL KITS**  
**JUEGOS COMPLETOS DE REPARACIÓN DE MOTOR**

Overhaul kit available on request  
*Juegos completos de reparación disponible sobre pedido.*



Consult us for further information about this range  
*Consultar cualquier información complementaria*

## PISTONS, RING SETS & LINERS PISTONS, JUEGO SEGMENTOS Y CAMISAS



Tractors <i>Tractores</i>	Engines <i>Motores</i>	Bore <i>Dia.</i>	Piston Pin dia. <i>Bulón de pistón</i>	Kit set <i>Equipo cilindro</i>	Piston <i>Pistón</i>	Ring set <i>Juego de segm</i>	Liner <i>Camisa</i>	Liner seal kit <i>J.gomas camisa</i>
				1	2	3	4	5
<b>3 cylinder engines / Motores 3 cilindros</b>								
310, 510 820, 920, 1020 (EU ↔074999) 1020 (USA ↔154765)	3152D	98mm (3.86")	(T23482) 30mm (1.19")	26/31-45 (B1130) Grooved Liner <i>Camisa con alojamiento de gomas</i>	26/33-46 (T23481)	26/34-46 (AR70633)	26/35-45 (AR51902) Grooved Liner <i>Camisa con aloj. de gomas (A) 4-1</i>	26/37-1 (B1230)
820, 920 (075000↔) 830 (USA) 1020 (EU 075000↔085099) 1020 (USA 154766↔)				26/31-46 (AR71591)			26/35-46 (T32340)	26/37-2 (AR71617)
1120 (↔074999) 1520 (↔160309)	3164D	102mm (4.02")	(T26149) 30mm (1.19")	26/31-47 (B1132)	26/33-48 (T30015)	26/34-48 (AR55759)	26/35-47 (AR51903) Grooved Liner <i>Camisa con aloj. de gomas (B) 4-1</i>	26/37-3 (B1231)
1020 (EU 085100↔199742) 1120 (075000↔199742) 1520 (160310↔) 1530 (↔179600)				26/31-48 (AR71593)				
830 (EU), 930, 1030, 1035, 1130 1020 (EU 199743↔) 1120 (199743↔) 1530 (179601↔) 2040 (USA ↔349999)				(R125754) 35mm (1.38")  (RE63914) Kit	26/31-49 (AR78041) Marked 'B' <i>Marcado 'B'</i>		26/33-49 (AR77762) Marked 'B' <i>Marcado 'B'</i>	26/35-48 (T32343)
840, 940 1040, 1140, 1350, 1445F, 1550, 1630, 1635, 1745F, 1750, 1845F, 1850, 1850N, 2040 (USA 350000↔), 2150, 2155, 2240, 2255	3179D	106.5mm (4.19")		26/31-51 (RE24539, RE30250, RE24458)	26/33-51 (RE19282)	26/34-51 (RE507852)	26/35-51 (R80724, R116281)	26/37-5 (AR65507)

- (A) 26/35-45 (AR51902) is supplied complete with 26/37-1 seal kit (B1230 = 2 x R48637 & 1 x R48638)  
26/35-45 (AR51902) sirven completas con el juego de gomas 26/37-1 (B1230 = 2 x R48637 & 1 x R48638)
- (B) 26/35-47 (AR51903) is supplied complete with 26/37-3 seal kit (B1231 = 2 x R48637 & 1 x T32341)  
26/35-47 (AR51903) sirven completas con el juego de gomas 26/37-3 (B1231 = 2 x R48637 & 1 x T32341)
- (NB) Kit sets and pistons are supplied complete with gudgeon pin and circlips  
El equipo de cilindro y los pistones se sirven completos con bulón y circlips

## PISTONS, RING SETS & LINERS

### PISTONES, SEGMENTOS Y CAMISAS



Tractors <i>Tractores</i>	Engine <i>Motor</i>	Bore Ø <i>Dia. Ø</i>	Piston Pin dia. <i>Bulón de pistón</i>	Kit set <i>Equipo cilindro</i>	Piston <i>Pistón</i>	Ring set <i>Juego segm.</i>	Liner <i>Camisa</i>	Liner seal kit <i>L. gomas cam.</i>
				1	2	3	4	5
<b>3 cylinder engines / Motores 3 cilindros</b>								
1950, 1950N, 2345F, 2355N	3179T	106.5mm (4.19")	(R124230) 41mm (1.62")	26/31-53 (RE22681, RE33115, RE22678)	26/33-53 (RE48368)	26/34-51 (RE507852)	26/35-51 (R80724, R116281)	26/37-5 (AR65507)
3100, 3110 (↔384505)			(R125754) 35mm (1.38")	26/31-51 (RE24539, RE24458)	26/33-51 (RE19282)			
3100 (SB RE65004), 3110 (384506↔) 5103 (IND ↔138432), 5103E (IND ↔138458), 5103S (Asia), 5103S (IND ↔138177), 5203 (Asia), 5203 (IND ↔137677), 5203S (IND ↔137895), 5303 (MEX↔138121) 5310(Asia), 5310 (IND ↔137672)	3029D			26/31-192 (RE66968)	26/33-192 (RE61467, RE507808)			
5103 (IND 138433↔) 5103 (USA ↔140838) 5103E (IND 138459↔) 5103S (IND 138178↔) 5104, 5203 (IND 137678↔) 5203 (USA ↔140336) 5203S (IND 137896↔) 5204 5303 (MEX138122↔) 5303 (North Africa) 5303 (South America) 5303 (TUR) 5303 (ZA) 5310 (IND 137673↔)	3029D Power Tech		(R130145) 32mm (1.26")	26/31-306 (RE500672)	26/33-306 (RE500210)	26/34-180 (RE66271)	26/35-53 (R131575)	
5103 (AUS) 5103 (USA 106597↔) 5203 (AUS) 5203 (USA 106478↔) 5303 (AUS), 5303 (EU), 5303 (USA) 5310S, 5403, 5410 (IND), 5503, 5610	3029T Power Tech			26/31-318 (RE520768)	26/33-318 (RE520573)		26/35-318 (R502260)	

**(NB)** Kit sets and pistons are supplied complete with gudgeon pin and circlips  
*El equipo de cilindro y los pistones se sirven completos con bulón y circlips*

Part numbers are quoted for reference purposes only.  
 Our parts and accessories are not original.

**"THE RELIABLE SERVICE"**

Las referencias originales tienen un propósito identificativo. Nuestras piezas no son originales



## PISTONS, RING SETS & LINERS PISTONES, SEGMENTOS Y CAMISAS



Tractors <i>Tractores</i>	Engine <i>Motor</i>	Bore Ø <i>Diá. Ø</i>	Piston Pin dia. <i>Bulón de pistón</i>	Kit set <i>Equipo cilindro</i>	Piston <i>Pistón</i>	Ring set <i>Juego segm.</i>	Liner <i>Camisa</i>	Liner seal kit <i>J. gomas cam.</i>
				1	2	3	4	5
<b>3 cylinder engines / Motores 3 cilindros</b>								
5200 (↔262108) 5300 (USA ↔291222)	3029D	106.5mm (4.19")	(R107707) 35mm (1.38")	26/31-191 (RE48721)	26/33-191 (RE45323)	26/34-51 (RE507852)		
			(RE63916) Kit					
5200 (262109↔) 5300 (USA 291223↔) 5300(EU) 5300N			(R130145) 32mm (1.26")	26/31-192 (RE66968)	26/33-192 (RE61467)			
5105, 5205, 5210, 5220, 5310 (EU), 5310N (EU)	3029D Power Tech		(RE508859) Kit	26/31-306 (RE500672)	26/33-306 (RE500210)	26/34-180 (RE66271)		
5215, 5310 (USA), 5310N (USA), 5315, 5320, 5320N, 5410 (EU), 5410N	3029T Power Tech		26/31-307 (RE500673)	26/33-307 (RE500211)		26/35-53 (R131575)		
5400, 5400N	3029T	(R123177) 41mm (1.62")	(RE63915) Kit	26/31-194 (RE48724, RE67426)	26/33-194 (RE40557, RE61270)	26/34-51 (RE507852) For / Para RE40557  26/34-180 (RE66271) For / Para RE61270		
<b>4 cylinder engines / Motores 4 cilindros</b>								
710 2020 (EU ↔074999) 2020 (USA ↔157575)	4202D	98mm (3.86")	(T23482) 30mm (1.19")	26/31-45 (B1130) Grooved Liner <i>Bloques estri- ado</i>	26/33-46 (T23481)	26/34-46 (AR70633)	26/35-45 (AR51902) Grooved Liner <i>Bloques estri- ado</i> (A) 4-1	26/37-1 (B1230)
2510 (Grooved Liner / <i>Cam. aloj. gomas</i> )								

- (A) 26/35-45 (AR51902) is supplied complete with 26/37-1 seal kit (B1230 = 2 x R48637 & 1 x R48638)  
26/35-45 (AR51902) sirven completas con el juego de gomas 26/37-1 (B1230 = 2 x R48637 & 1 x R48638)
- (NB) Kit sets and pistons are supplied complete with gudgeon pin and circlips  
El equipo de cilindro y los pistones se sirven completos con bulón y circlips

**PISTONS, RING SETS & LINERS**  
**PISTONES, SEGMENTOS Y CAMISAS**



Tractors <i>Tractores</i>	Engine <i>Motor</i>	Bore Ø <i>Dia. Ø</i>	Piston Pin dia. <i>Bulón de pistón</i>	Kit set <i>Equipo cilindro</i>	Piston <i>Pistón</i>	Ring set <i>Juego segm.</i>	Liner <i>Camisa</i>	Liner seal kit <i>L. gomas cam.</i>
				1	2	3	4	5
<b>4 cylinder engines / Motores 4 cilindros</b>								
2020 (EU 075000⇄) 2020 (USA 157576⇄) 2510 (Grooved Block / Bloques estriado)	4202D	98mm (3.86")	(T23482) 30mm (1.19")	26/31-46 (AR71591)	26/33-46 (T23481)	26/34-46 (AR70633)	26/35-46 (T32340)	26/37-2 (AR71617)
2120 (⇄074999) 2520 (⇄157575)	4219D	102mm (4.02")	(T26149) 30mm (1.19")	26/31-47 (B1132) Grooved Liner Bloques estri- ado	26/33-48 (T30015)	26/34-48 (AR55759)	26/35-47 (AR51903) Grooved Liner Bloques estri- ado (B) 4-1	26/37-3 (B1231)
2030 (USA ⇄275484) 2120 (075000⇄199742) 2520 (157576⇄) (Pin / Ejes 30mm (1.19" ))				26/31-48 (AR71593)			26/35-48 (T32343)	26/37-4 (AR71618)
1830, 2030 (EU) 2030 (USA 275485⇄) 2035 2120 (199743⇄) 2440 2520 (157576⇄) (Pin / Ejes 35mm (1.38"))	4239D	106.5 mm (4.19")	(R125754) 35mm (1.38")  (RE63914) Kit	26/31-49 (AR78041) Marked 'B' Marcado 'B'	26/33-49 (AR77762) Marked 'B' Marcado 'B'	26/34-51 (RE507852)	26/35-51 (R80724, R116281)	26/37-5 (AR65507)
1640,1840, 2040 (EU) 2040S, 2130, 2135, 2250, 2350, 2355, 2450, 2550, 2555CS, 2650CS				26/31-50 (AR90550) Marked 'H' Marcado 'H'	26/33-50 (AR87736) Marked 'H' Marcado 'H'			
2140, 2650 (ES), 2555TSS, 2650F, 2650N, 2650TSS, 2750, 2755, 2850, 2855N	4239T		(R124230) 41mm (1.62")  (RE63913) Kit	26/31-51 (RE24539, RE30250) RE24458)	26/33-51 (RE19282)			
				26/31-53 (RE22681, RE33115, RE22678)	26/33-53 (RE48368)			

(B) 26/35-47 (AR51903) is supplied complete with 26/37-3 seal kit (B1231 = 2 x R48637 & 1 x T32341)  
 26/35-47 (AR51903) sirven completas con el juego de gomas 26/37-3 (B1231 = 2 x R48637 & 1 x T32341)

(NB) Kit sets and pistons are supplied complete with gudgeon pin and circlips  
 El equipo de cilindro y los pistones se sirven completos con bulón y circlips

## PISTONS, RING SETS & LINERS PISTONES, SEGMENTOS Y CAMISAS



Tractors Tractores	Engine Motor	Bore Ø Dia. Ø	Piston Pin dia. Bulón de pistón	Kit set Equipo cilindro	Piston Pistón	Ring set Juego segm.	Liner Camisa	Liner seal kit J. gomas can.
				1	2	3	4	5
<b>4 cylinder engines / Motores 4 cilindros</b>								
2630, 2640	4276D	106.5mm (4.19")	(R125754) 35mm (1.38")	26/31-315 (RE19831)	26/33-315 (AR63342)	26/34-51 (RE507852)	26/35-150 (R121867)	26/37-5 (AR85507)
3010 3020 (↔122999) Blocks / Bloques R26160, R32020, R40850	4270D	108mm (4.25")	(R44161) 38mm (1.50")	26/31-311 (RE23173)	26/33-311 (RE23172, RE40566)	26/34-311 (AR55630)	26/35-311 (R32050)	26/37-311 (AR40155)
3020 (↔122999) Blocks / Bloques R40910, R46350, R46430				26/31-312 (RE23170)			26/33-313 (RE23168, RE40563)	26/35-152 (R40615)
3020 (123000↔) Blocks / Bloques R40700, R47520, R48430, R50610, R72127				26/31-313 (RE23165)				
3200, 3200X, 3210, 3210X	4039D	106.5mm (4.19")	(R125754) 35mm (1.38")  (RE63914) Kit	26/31-51 (RE24458)	26/33-51 (RE19282)	26/34-51 (RE507852)	26/35-51 (R80724, R116281)	26/37-5 (AR65507)
3400, 3400X, 3410, 3410X	4039T		(R124230) 41mm (1.62")	26/31-53 (RE22678)	26/33-53 (RE48368)			
3300, 3300X, 3310, 3310X	4045D		(RE63913) Kit	26/31-150 (RE47862)	26/33-150 (RE28919)			
3210, 3210X, 3310, 3310X	4045D Power Tech		(R123178) 35mm (1.38")	26/31-180 (RE65966, RE505110)	26/33-180 (RE59279, RE505101)	26/34-180 (RE86271)	26/35-149 (R115336)	
3410, 3410X	4045T Power Tech			26/31-309 (RE65967, RE505111, RE507920)	26/33-309 (RE59277, RE505100, RE515372)	26/34-180 (RE66271) For / Para RE59277 & RE505100		
5500, 5500N 6200, 6200L, 6200SE, 6300, 6300L, 6300SE	4039T		(R124230) 41mm (1.62")  (RE63913) Kit	26/31-53 (RE22678)	26/33-53 (RE48368)	26/34-51 (RE507852)	26/35-51 (R80724, R116281)	

**(NB)** Kit sets and pistons are supplied complete with gudgeon pin and circlips  
El equipo de cilindro y los pistones se sirven completos con bulón y circlips

**PISTONS, RING SETS & LINERS**  
**PISTONES, SEGMENTOS Y CAMISAS**



Tractors Tractores	Engine Motor	Bore Ø Dia. Ø	Piston Pin dia. Bulón de pistón	Kit set Equipo cilindro	Piston Pistón	Ring set Juego segm.	Liner Camisa	Liner seal kit J. gomas cam.
				1	2	3	4	5
<b>4 cylinder engines / Motores 4 cilindros</b>								
6100, 6100SE	4045D	106.5mm (4.19")	(R124230) 41mm (1.62")	26/31-150 (RE47862)	26/33-150 (RE28919)	26/34-51 (RE507852)	26/35-149 (R115336)	26/37-5 (AR65507)
6400, 6400L, 6400SE, 6500, 6500L	4045T		(RE63913) Kit	26/31-151 (RE53073)	26/33-151 (RE48469)		26/35-150 (R121867)	
5410 (USA), 5415 (MEX), 5415N, 5420, 5420N, 5425 (MEX), 5425N (MEX), 5605, 5615 (TUR), 5615 (MEX), 5625 (MEX) 6010, 6010SE 6020, 6020SE (⇔799999)	4045D Power Tech		(R123178) 35mm (1.38")	26/31-180 (RE65966, RE505110)	26/33-180 (RE59279, RE505101)	26/34-180 (RE66271)		
5415 (EU), 5603 (BR), 5620				26/31-308 (RE520835)	26/33-308 (RE520589)			
5425 (USA), 5425N (USA), 5510, 5510N, 5515, 5520, 5520N, 5525, 5525N, 5603 (USA), 5615 (EU), 5625 (USA), 5705, 5715 (TUR), 5725, 5725N	4045T Power Tech		26/31-309 (RE65967, RE505111, RE507920)	26/33-309 (RE59277, RE505100, RE515372)	26/34-180 (RE66271) For / Para RE59277 & RE505100	26/34-51 (RE507852) For / Para RE515372	26/35-149 (R115336)	
5720, 5820 6020, 6020SE (800000⇔) 6110, 6110L, 6110SE, 6120, 6120L, 6120SE, 6205, 6210, 6210L, 6210SE, 6215, 6220, 6220L, 6220SE, 6310, 6310L, 6310S, 6310SE, 6403, 6405, 6410, 6410L, 6410S, 6410SE, 6415 (BR) 6415 (MEX), 6425 (MEX) 6510L, 6510S	4045T Power Tech		(R123177) 41mm (1.62")	26/31-181 (RE65969, RE505112, RE507850)	26/33-181 (RE55512, RE505102, RE509540)	26/34-51 (RE507852)		
6320, 6320L, 6320SE, 6415 (USA), 6420, 6420L, 6420S, 6420SE, 6520L (⇔799999) & (4045HL270 to / de L273) (800000⇔)	4045H Power Tech							

(NB) Kit sets and pistons are supplied complete with gudgeon pin and circlips  
 El equipo de cilindro y los pistones se sirven completos con bulón y circlips

## PISTONS, RING SETS & LINERS PISTONES, SEGMENTOS Y CAMISAS



Tractors Tractores	Engine Motor	Bore Ø Dia. Ø	Piston Pin dia. Bulón de pistón	Kit set Equipo cilindro	Piston Pistón	Ring set Juego segm.	Liner Camisa	Liner seal kit J. gomas cam.
				1	2	3	4	5
<b>4 cylinder engines / Motores 4 cilindros</b>								
6320, 6420, 6420S (4045HL472 de / to L476) (800000⇔)	4045H Power Tech	106.5mm (4.19")	(R502755) 41mm (1.62")	26/31-310 (RE516227)	26/33-310 (RE515037)	26/34-51 (RE507852)	26/35-149 (R115336)	26/37-5 (AR65507)
6130, 6225, 6230, 6230PR (USA), 6325, 6330, 6330PR (USA), 6425 (EU), 6430, 6430PR (USA)	4045H Power Tech E		26/31-327 (RE536083) (C)	26/33-326 (RE527039)	26/34-326 (RE527844)	26/35-320 (R116397)		
6230PR, 6330PR, 6430PR	4045H Power Tech Plus		26/31-320 (RE530616)	26/33-310 (RE515037)	26/34-320 (RE530613)			
<b>6 cylinder engines / Motores 6 cilindros</b>								
3120 (⇔074999)	6303D	98mm (3.86")	(T23482) 30mm (1.19")	26/31-45 (B1130) Grooved Liner Camisa con alof. de gomas	26/33-46 (T23481)	26/34-46 (AR70633)	26/35-45 (AR51902) Grooved Liner Bloques estrí- ado (A) 4-1	26/37-1 (B1230)
3120 (075000⇔)			26/31-46 (AR71591)	26/35-46 (T32340)	26/37-2 (AR71617)			
4030 (⇔277549)	6329D	102mm (4.02")	(T26419) 30mm (1.19")	26/31-48 (AR71593)	26/33-48 (T30015)	26/34-48 (AR55759)	26/35-48 (T32343)	26/37-4 (AR71618)
2840 3030, 3130, 3135 4030 (277550⇔)			(R125754) 35mm (1.38")	26/31-49 (AR78041) Marked 'B' Marcado 'B'	26/33-49 (AR77762) Marked 'B' Marcado 'B'			
			(RE63914) Kit	26/31-50 (AR90550) Marked 'H' Marcado 'H'	26/33-50 (AR87736) Marked 'H' Marcado 'H'			
2940, 2950, 2955 3040, 3050, 3055, 3140, 3150, 3155, 3340, 3350 (DE) 3350 (ES ⇔155860) 3640	6359D	106.5mm (4.19")		26/31-51 (RE24539, RE30250, RE24458)	26/33-51 (RE19282)	26/34-51 (RE507852)	26/35-51 (R80724, R116281)	26/37-5 (AR65507)

- (A) 26/35-45 (AR51902) is supplied complete with 26/37-1 seal kit (B1230 = 2 x R48637 & 1 x R48638)  
26/35-45 (AR51902) sirven completas con el juego de gomas 26/37-1 (B1230 = 2 x R48637 & 1 x R48638)
- (C) The earlier kit set RE527843 with unhardened liner is available as 26/31-326  
El juego para primeros modelos RE527843 con camisa no-reforzada se sirven bajo la referencia 26/31-326
- (NB) Kit sets and pistons are supplied complete with gudgeon pin and circlips  
El equipo de cilindro y los pistones se sirven completos con bulón y circlips

**PISTONS, RING SETS & LINERS**  
**PISTONES, SEGMENTOS Y CAMISAS**



Tractors <i>Tractores</i>	Engine <i>Motor</i>	Bore Ø <i>Dia. Ø</i>	Piston Pin dia. <i>Bulón de pistón</i>	Kit set <i>Equipo cilindro</i>	Piston <i>Pistón</i>	Ring set <i>Juego segm.</i>	Liner <i>Camisa</i>	Liner seal kit <i>J. gomas cam.</i>
				1	2	3	4	5
<b>6 cylinder engines / Motores 6 cilindros</b>								
3255 3350 (ES 761166⇔) 3640S, 3650 4040 (EU) 4040S, 4050	6359T	106.5mm (4.19")	(R124230) 41mm (1.62")  (RE63913) Kit	<b>26/31-53</b> (RE22681, RE33115, RE22678)	<b>26/33-53</b> (RE48368)	<b>26/34-51</b> (RE507852)	<b>26/35-51</b> (R80724, R116281)	<b>26/37-5</b> (AR65507)
4010 4020 (⇔200999) Blocks / Bloques R26070, R33180, R34340, R40890, R40900	6404D	108mm (4.25")	(R44161) 38mm (1.50")	<b>26/31-311</b> (RE23173)	<b>26/33-311</b> (RE23172, RE40566)	<b>26/34-311</b> (AR55630)	<b>26/35-311</b> (R32050)	<b>26/37-311</b> (AR40155)
<b>26/31-312</b> (RE23170)				<b>26/37-313</b> (AR70645)				
4010 4020 (⇔200999) Blocks / Bloques R40930				<b>26/31-313</b> (RE23165)	<b>26/33-313</b> (RE23168, RE40563)			<b>26/35-152</b> (R40615)
4000 4020 (201000⇔) Blocks / Bloques R40610, R40620, R45950, R47170, R48440	6404T	108mm (4.25")	(R41425) 41mm (1.62")	<b>26/31-152</b> (RE23160)	<b>26/33-152</b> (RE23163, RE41869)	<b>26/34-152</b> (AR65502)	<b>26/35-152</b> (R40615)	<b>26/37-5</b> (AR65507) 3 Ring block Bloques con tres gomas
4040 (USA) 4230				<b>26/31-314</b> (AR51798, RE69393)	<b>26/33-314</b> (AR50624, RE67932)	<b>26/34-154</b> (AR51741)		<b>26/35-154</b> (R46661)
4320, 4520				<b>26/31-154</b> (AR63272)	<b>26/33-154</b> (AR54552, AR58704)			
4620	6404A	116mm (4.56")	(R41425) 41mm (1.62")	<b>26/31-153</b> (AR83610, RE60290)	<b>26/33-153</b> (AR85629)	<b>26/34-153</b> (AR87753)	<b>26/35-155</b> (AR63060, R123969)	<b>26/37-153</b> (AR98850)
4430	6404T			<b>26/31-317</b> (AR98847, RE60292)	<b>26/33-317</b> (AR100442, AR100440)			
4630	6404A							
4240	6466D	116mm (4.56")	(R41425) 41mm (1.62")	<b>26/31-153</b> (AR83610, RE60290)	<b>26/33-153</b> (AR85629)	<b>26/34-153</b> (AR87753)	<b>26/35-155</b> (AR63060, R123969)	<b>26/37-153</b> (AR98850)
4050				<b>26/31-317</b> (AR98847, RE60292)	<b>26/33-317</b> (AR100442, AR100440)			

(NB) Kit sets and pistons are supplied complete with gudgeon pin and circlips  
*El equipo de cilindro y los pistones se sirven completos con bulón y circlips*

## PISTONS, RING SETS & LINERS PISTONES, SEGMENTOS Y CAMISAS



Tractors Tractores	Engine Motor	Bore Ø Dia. Ø	Piston Pin dia. Bulón de pistón	Kit set Equipo cilindro	Piston Pistón	Ring set Juego segm.	Liner Camisa	Liner seal kit J. gomas cam.
				1	2	3	4	5
<b>6 cylinder engines / Motores 6 cilindros</b>								
4240S (↔252662) 4440 (EU) 4440 (USA Except / Excepto SB570601↔) (Conrods marked / Con bielas) R57303 or / o R67320)	6466T	116mm (4.56")	(R57771) 47mm (1.87")	26/31-155 (AR72079, RE60288)	26/33-155 (AR93629, AR93627)	26/34-155 (RE48380)	26/35-155 (AR63060, R123969)	26/37-153 (AR98850)
4640 (Except/ExceptoSB570601↔) 4840 (Except/ExceptoSB572027↔) (Conrods marked / Con bielas) R57303 or / o R67320)	6466A							
4240S (252663↔) 4440 (USA SB570601↔) 4050E, 4250, 4350, 4450 (Conrods marked / Con bielas) R71074)	6466T			26/31-325 (AR100646, RE60282)	26/33-325 (AR100616, AR98838)			
4640 (SB570601↔) 4650 (Conrods marked / Con bielas) R71074)	6466A			26/31-319 (AR100960, RE60284)	26/33-319 (AR100673, AR100672)			
4840 (USA SB572027↔) 4850 (Conrods marked / Con bielas) R71074)	6466A			26/31-157 (RE60294) High ring Segment. sup.	26/33-157 (RE57512)			
4055, 4255, 4455, 4555, 4560	6076T			26/31-316 (RE60297) Low ring Segm. estan.	26/33-316 (RE57731)			
4755, 4760	6076A			26/34-157 (RE57517)	26/34-155 (RE48380)			
4955, 4960	6076A	26/34-155 (RE48380)	26/34-155 (RE48380)					
6600	6059T	106.5mm (4.19")	(R124230) 41mm (1.62")  (RE63913) Kit	26/31-53 (RE22678)	26/33-53 (RE48368)	26/34-51 (RE507852)	26/35-51 (R80724, R116281)	26/37-5 (AR65507)
6508	6068D			26/31-150 (RE47862)	26/33-150 (RE28919)		26/35-149 (R115336)	
6800, 6900	6068T			26/31-151 (RE53073)	26/33-151 (RE48469)		26/35-150 (R121867)	
6505, 6510, 6510SE 6515, 6520, 6520SE (↔799999)	6068D Power Tech			26/31-180 (RE65968, RE505110)	26/33-180 (RE59279, RE505101)		26/34-180 (RE66271)	

(NB) Kit sets and pistons are supplied complete with gudgeon pin and circlips  
El equipo de cilindro y los pistones se sirven completos con bulón y circlips

## PISTONS, RING SETS & LINERS PISTONES, SEGMENTOS Y CAMISAS



Tractors Tractores	Engine Motor	Bore Ø Dia. Ø	Piston Pin dia. Bulón de pistón	Kit set Equipo cilindro	Piston Pistón	Ring set Juego segm.	Liner Camisa	Liner seal kit J. gomas cam.
				1	2	3	4	5
<b>6 cylinder engines / Motores 6 cilindros</b>								
6603	6068T Power Tech	106.5mm (4.19")	(R123178) 35mm (1.38")	26/31-309 (RE505111, RE507920)	26/33-309 (RE505100, RE515372)	26/34-51 (RE507852)	26/35-149 (R115336)	26/37-5 (AR65507)
6605, 6610, 6610SE, 6615 (BR) 6810, 6910, 6910S, 6920SE 6520, 6520SE, 6620, 6620SE, 6715 (⇔ 799999)			(R123177) 41mm (1.62")	26/31-181 (RE65969, RE505112, RE507850)	26/33-181 (RE55512, RE505102, RE509540)			
6515, 6520, 6520SE, 6620, 6620SE, 6715 (⇔ 799999 & (6068HL270 to / de L273) (800000 ⇔) 6820, 6920, 6920S (⇔ 799999) 6615 (USA)			6068H Power Tech	26/31-310 (RE516227)	26/33-310 (RE515037)			
6520, 6620, 6820, 6920, 6920S (6068HL470 to / de L475) (800000 ⇔)	6068H Power Tech E	(R502755) 41mm (1.62")	26/31-327 (RE536083)	26/33-326 (RE527039)	26/34-326 (RE527844)	26/35-320 (R116397)		
6525, 6530, 6630, 6830, 6930	6068H Power Tech Plus	26/31-320 (RE530616)	26/33-310 (RE515037)	26/34-320 (RE530613)				
6530PR, 6630PR, 6830PR, 6930PR	6068H Power Tech Plus	26/31-314 (RE69393)	26/33-314 (RE67932)	26/34-154 (AR51741)	26/35-154 (R46661)			
7020 (⇔ 335845)	6404A	108mm (4.25")	(R41425) 41mm (1.62")	26/31-154 (AR63272)	26/33-154 (AR55452, AR58704)			
7020 (335846⇔)			26/31-53 (RE33115, RE22678)	26/33-53 (RE48368)	26/35-51 (R116281)			
7200	6059T	(R124230) 41mm (1.62")	26/31-151 (RE53073)	26/33-151 (RE48469)	26/34-51 (RE507852)	26/35-150 (R121867)		
7400, 7500 (⇔ 001336) 7600	6068T	106.5mm (4.19")	(RE63913) Kit	26/31-181 (RE65969, RE505112, RE507850)	26/33-181 (RE55512, RE505102, RE509540)	26/35-149 (R115336)		
7210, 7405, 7410, 7220, 7320, 7420, 7425, 7500 (001337⇔) 7505, 7510, 7515, 7520, 7525, 7610, 7810 (BR)	6068T Power Tech	(R123177) 41mm (1.62")	26/31-181 (RE65969, RE505112, RE507850)	26/33-181 (RE55512, RE505102, RE509540)	26/35-149 (R115336)			

(NB) Kit sets and pistons are supplied complete with gudgeon pin and circlips  
El equipo de cilindro y los pistones se sirven completos con bulón y circlips



## PISTONS, RING SETS & LINERS PISTONES, SEGMENTOS Y CAMISAS



Tractors Tractores	Engine Motor	Bore Ø Dia. Ø	Piston Pin dia. Bulón de pistón	Kit set Equipo cilindro	Piston Pistón	Ring set Juego segm.	Liner Camisa	Liner seal kit J. gomas cam.
				1	2	3	4	5
<b>6 cylinder engines / Motores 6 cilindros</b>								
7220, 7320 (Except / Excepto 6068HRW61) 7420 (USA), 7520 (USA) (Except / Excepto 6068HRW62) 7715, 7815	6068H Power Tech	106.5mm (4.19")	(R123177) 41mm (1.62")	26/31-181 (RE65969, RE505112, RE507850)	26/33-181 (RE55512, RE505102, RE509540)	26/34-51 (RE507852)	26/35-149 (R115336)	26/37-5 (AR65507)
7420 (USA), 7520 (USA) (6068HRW62)				26/31-310 (RE516227)	26/33-310 (RE515037)			
7220, 7320 (6068HRW61), 7720, 7820 (EU)	6068H Power Tech E		(R502755) 41mm (1.62")	26/31-321 (RE516228)	26/33-321 (RE507758)	26/34-322 (RE524453)		
7130, 7130PR, 7230, 7230PR, 7330, 7330PR, 7430PR (USA)				26/31-327 (RE536083)	26/33-326 (RE527039)	26/34-326 (RE527844)		
7130PR, 7230PR, 7330PR, 7430PR, 7530PR	6068H Power Tech Plus		26/31-320 (RE530616)	26/33-310 (RE515037)	26/34-320 (RE530613)	26/35-320 (R116397)		
7630, 7730, 7830, 7930	26/31-322 (RE524450)		26/33-322 (RE521616)	26/34-322 (RE524453)				
7700, 7800	6076T	116mm (4.56")	(R57771) 47mm (1.87")	26/31-157 (RE60294)	26/33-157 (RE57512)	26/34-157 (RE57517)	26/35-155 (AR63060, R123969)	26/37-153 (AR98850)
7710 & 7810 (USA) (⇔089999)	6081T Power Tech			26/31-195 (RE64509)	26/33-195 (RE70688)	26/34-195 (RE503528)	26/35-195 (R520212)	
7710 & 7810 (USA) (090000⇔) 7820 (USA) 7920	6081H Power Tech			26/31-157 (RE60294)	26/33-157 (RE57512)	26/34-157 (RE57517)	26/35-155 (AR63060, R123969)	
8100, 8200, 8300 (⇔009999)	6076H			26/31-195 (RE64509)	26/33-195 (RE70688)	26/34-195 (RE503528)	26/35-195 (R520212)	
8100, 8200, 8300 (010000 ⇔) 8100T, 8110, 8110T, 8120, 8120T, 8200T, 8210, 8210T, 8220, 8220T, 8300T, 8310, 8310T, 8320, 8320T, 8400, 8400T 9100	6081H Power Tech			26/31-324 (RE62791, RE508156)	26/33-324 (RE70689, RE516291)			
8410, 8410T, 8420, 8420T, 8520, 8520T 9120								

(NB) Kit sets and pistons are supplied complete with gudgeon pin and circlips  
El equipo de cilindro y los pistones se sirven completos con bulón y circlips

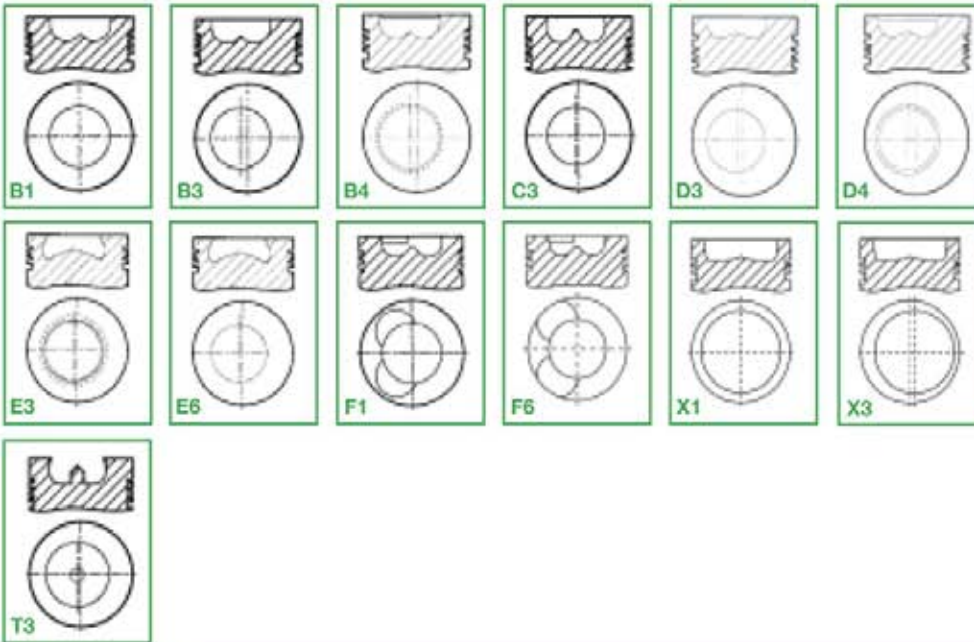
## PISTONS, RING SETS & LINERS PISTONES, SEGMENTOS Y CAMISAS



Tractors <i>Tractores</i>	Engine <i>Motor</i>	Bore Ø <i>Dia. Ø</i>	Piston Pin dia. <i>Bulón de pistón</i>	Kit set <i>Equipo cilindro</i>	Piston <i>Pistón</i>	Ring set <i>Juego segm.</i>	Liner <i>Camisa</i>	Liner seal kit <i>J. gomas cam.</i>
				1	2	3	4	5
<b>6 cylinder engines / Motores 6 cilindros</b>								
8430, 8440, 8450 (⇔241468 & ⇔SB572026) Conrods marked / <i>Con bielas</i> R57303 or / o R67320)	6466A	116mm (4.56")	(R57771) 47mm (1.87")	26/31-155 (AR72079, RE60288)	26/33-155 (AR93629, AR93627)	26/34-155 (RE48380)	26/35-155 (AR63060, R123969)	26/37-153 (AR98850)
8430, 8440, 8450 (241469⇔ & SB572027⇔) Conrods marked / <i>Con bielas</i> R71074)				26/31-319 (AR100960, RE60284)	26/33-319 (AR100673, AR100672)			
8560, 8570 (⇔568444)				26/31-316 (RE60297) <i>Low ring</i> <i>Segm. estan.</i>	26/33-316 (RE57731)			
8570 (568445⇔)	6076H			26/31-157 (RE60294) <i>High ring</i> <i>Segm. superi.</i>	26/33-157 (RE57512)	26/34-157 (RE57517)		

**(NB)** Kit sets and pistons are supplied complete with gudgeon pin and circlips  
 El equipo de cilindro y los pistones se sirven completos con bulón y circlips

## PISTONS PISTONES



- A : Compression height (mm)  
Altura de compresión (mm)
- B : Combustion bowl depth (mm)  
Profundidad cámara de combustión (mm)
- D : Overall length (mm)  
Largo total (mm)
- E : Gudgeon pin diameter (mm)  
Diámetro bulón (mm)

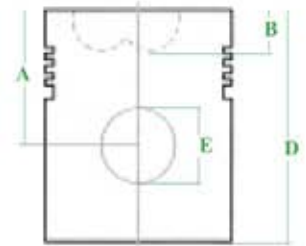
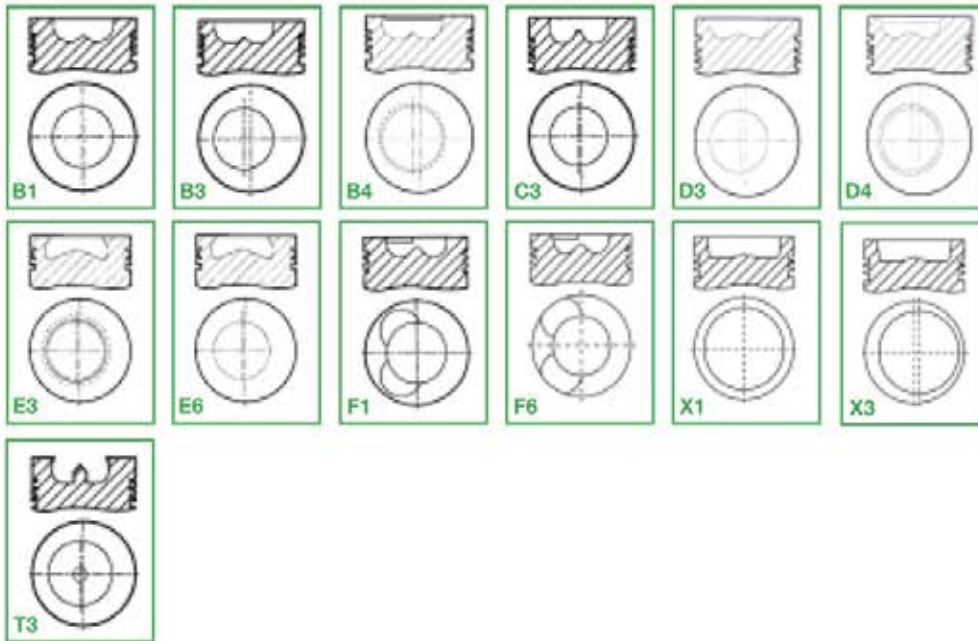
Ref. Ref.	Engines Motores	Bore Ø Dia. B	Type Tipo	Rings Segm.	Al-fin Al-fin	A (mm)	B (mm)	D (mm)	E (mm)	
26/33-46	3152D, 4202D, 6303D	98.00mm (3.86")	C3	3	No/No	57.35	16.50	99.35	30.17	
26/33-48			E3					103.10		
26/33-49	3164D, 4219D, 6329D	102.00mm (4.02")	B3			Yes SI	66.30	21.80	112.00	34.92
26/33-50										
26/33-51	3179D, 3179T, 4049T	106.5mm (4.19")	B3				66.35	18.92	120.00	41.27
26/33-53	4239T, 6359T						66.30	18.80		
26/33-150	4045D, 6068D	108mm (4.25")	B4				71.70	21.10	124.70	38.10
26/33-151	4045T, 6068T							22.20		
26/33-152	6404D	108mm (4.25")	D3				70.00	18.90	125.30	41.27
26/33-153	6466D	116mm (4.56")	B3				70.60	22.00		
26/33-154	6404A/T	108mm (4.25")	F6		70.00		23.40	124.60	34.92	
26/33-155	6466A/T	116mm (4.56")	F1		70.40		20.50			125.00
26/33-157	6076H/T		D4			14.57				
26/33-180	4045D PowerTech 6068D PowerTech	106.5mm (4.19")	T3		71.70	23.80	100.70	34.92		
26/33-181	4045H/T PowerTech 6068H/T PowerTech								25.50	104.60
26/33-191	3029D	116mm (4.56")	B3		66.30	18.70	100.00	34.92		
26/33-192						19.00			95.20	32.00
26/33-194	3029T		B4			18.80	99.40	41.27		
26/33-195	6081H PowerTech	116mm (4.56")	E3		66.50	15.30	111.50	47.62		
26/33-306	3029D PowerTech	108.5mm (4.19")	T3		66.30	21.70	95.20	32.00		

Part numbers are quoted for reference purposes only.  
Our parts and accessories are not original.

**"THE RELIABLE SERVICE"**

Las referencias originales tienen un propósito identificativo. Nuestras piezas no son originales.

**PISTONS**  
**PISTONES**



- A : Compression height (mm)  
Altura de compresión (mm)
- B : Combustion bowl depth (mm)  
Profundidad cámara de combustión (mm)
- D : Overall length (mm)  
Largo total (mm)
- E : Gudgeon pin diameter (mm)  
Diámetro bulón (mm)

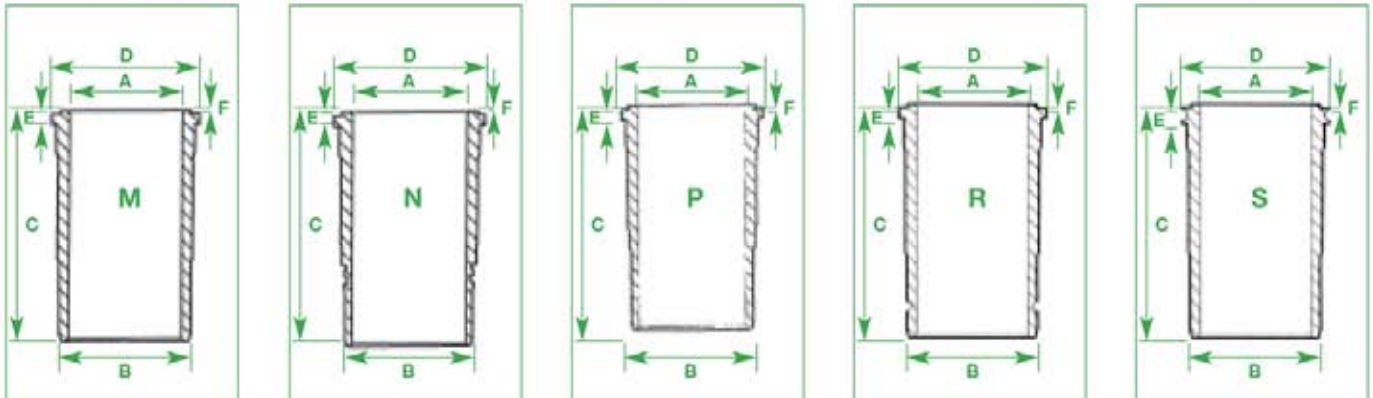
Ref. Ref.	Engines Motores	Bore Ø Dia. Ø	Type Tipo	Rings Segm.	Al-fin Al-fin	A (mm)	B (mm)	D (mm)	E (mm)
26/33-307	3029T PowerTech	106.5mm (4.19")	T3	3	Yes Sí	66.30	21.70	99.50	41.27
26/33-308	4045D PowerTech					71.70	23.70	101.00	34.92
26/33-309	4045T PowerTech 6068T PowerTech					25.50	100.70		
26/33-310	4045H PowerTech 4045H PowerTech Plus 6068H PowerTech Plus	106.5mm (4.19")	X1			14.50	108.50	41.27	
26/33-311	4270D, 6404D	108mm (4.25")	E6			70.00	14.70	124.20	38.10
26/33-313	4270D, 6404D					B3	18.30		
26/33-314	6404A, 6404T					B1	19.00	124.40	41.27
26/33-315	4276D	106.5mm (4.19")	B3			71.70	22.70	124.60	34.92
26/33-316	6076A, 6466A	116mm (4.56")	D4			70.40	14.00	125.00	47.62
26/33-317	6466D					B3	70.70	22.20	125.30
26/33-318	3029T PowerTech	106.5mm (4.19")	T3			66.40	21.60	95.30	32.00
26/33-319	6466A	116mm (4.58")	F1			70.40	20.80	125.00	47.62
26/33-321	6068H PowerTech	106.5mm (4.19")	X1			71.70	14.50	108.50	41.27
26/33-322	6068H PowerTech Plus					71.60			
26/33-324	6081H PowerTech	116mm (4.56")	E3			66.50	16.30	111.60	47.62
26/33-325	6466A/T			F1	70.40	19.50	125.00		
26/33-326	4045H PowerTech E 6068H PowerTech E	106.5mm (4.19")	X3	71.70	13.50	108.50	41.27		

Part numbers are quoted for reference purposes only.  
Our parts and accessories are not original.

**"THE RELIABLE SERVICE"**

Las referencias originales tienen un propósito identificativo. Nuestras piezas no son originales

## LINERS CAMISAS



- A : Nominal bore diameter (mm)  
*Diámetro interior (mm)*
- B : Outside diameter (mm)  
*Diámetro exterior (mm)*
- C : Overall length (mm)  
*Largo total (mm)*
- D : Flange diameter (mm)  
*Grueso de pestaña (mm)*
- E : Flange width (mm)  
*Altura pestaña (mm)*
- F : Fire lip height (mm)  
*Altura del corta fuegos (mm)*

	
<b>26/35-152</b> (R40615)	<b>26/35-311</b> (R32050)
A = 167mm (6.59") B = 182mm (7.18") C = 225mm (8.87)	A = 149mm (5.86") B = 163mm (6.43") C = 225mm (8.87)

### Fully-finished liners / Camisas terminadas

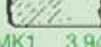
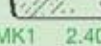
Ref. <i>Ref.</i>	Type <i>Tipo</i>	A (mm)	B (mm)	C (mm)	D (mm)	E (mm)	F (mm)
26/35-45	N	98.00	107.19	197.10	122.97	6.07	0.64
26/35-46	M		107.62	196.97	122.99		0.89
26/35-47	N	102.00	110.52	198.85	125.00	6.07	0.81
26/35-48	P		110.01	196.97			0.89
26/35-51	M	106.50	115.70	197.61	125.99	6.05	0.89
26/35-53	R		114.90	197.00	125.95		0.87
26/35-149	R	106.50	114.83	218.84	125.93	6.06	0.84
26/35-150	M		115.72	218.82	125.92		0.84
26/35-152	P	108.00	117.47	232.38	131.49	6.40	0.66
26/35-154	P		117.54	232.64	131.53		0.68
26/35-155	M	116.00	125.15	233.10	135.12	8.21	1.14
26/35-195	S		125.06	228.22	135.10		12.05
26/35-311	P	108.00	117.58	232.79	130.20	6.45	1.04
26/35-318	M	106.50	115.72	196.00	126.00	6.05	0.82
26/35-320	M		115.71	218.82	125.90		6.04

Part numbers are quoted for reference purposes only.  
Our parts and accessories are not original.

**"THE RELIABLE SERVICE"**

Las referencias originales tienen un propósito identificativo. Nuestras piezas no son originales.

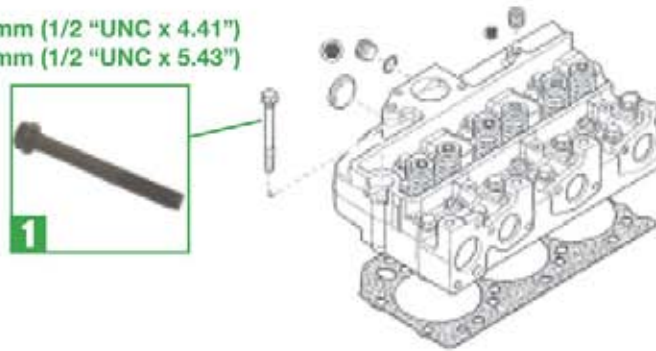
**RING SETS**  
**JUEGOS DE SEGMENTOS**

Ref. Ref.	Bore Ø Dia. Ø			
26/34-46	98mm (3.86")	 MP3 2.38	 T5 2.38	 CBEH 5.00
26/34-48	102mm (4.02")	 MK3 3.16	 T5 2.38	 CBEH 5.00
26/34-51	106.5mm (4.19")	 MK3 3.16	 T5 2.38	 CBEH 3.47
26/34-152	108mm (4.25")	 MK1 3.17	 MT5 2.39	 CBEH 4.75
26/34-153	116mm (4.56")	 MK1 3.94	 MT5 2.39	 CBEH 4.75
26/34-154	108mm (4.25")	 MK1 3.94	 MTK1 3.94	 CBEH 4.74
26/34-155	116mm (4.56")	 MK1 3.94	 MTK1 3.94	 CBEH 4.74
26/34-157		 MK1 3.95	 MTK1 3.94	 CBEH 4.00
26/34-180	106.5mm (4.19")	 MK1 2.40	 T5 2.38	 CBEH 3.47
26/34-195	116mm (4.56")	 MK3 3.90	 TH1 3.20	 CBEH 4.00
26/34-311	108mm (4.25")	 MK1 3.16	 MT3 2.38	 CBEH 6.32
26/34-320	106.5mm (4.19")	 MK3 3.16	 T5 2.39	 CBEH 3.47
26/34-322		 MK3 3.16	 TH1 2.50	 CBEH 3.47
26/34-326		 MK3 3.16	 T5 2.38	 CBEH 3.47

- CBEH : Chrome plated bevelled edge with helical coil spring / Cromado y rebajado con muelle helicoidal  
 MK1 : Molybdenum coated keystone / Trapezoidal ambos lados con recubrimiento de Molibdeno en cara exterior  
 MK3 : Molybdenum coated keystone internally bevelled top / Trapezoidal ambos lados de Molibdeno interior alto.  
 MP3 : Molybdenum coated parallel faces internally bevelled top / Rectangular molybdeno rebaje interior alto.  
 MT3 : Molybdenum coated taper faced internally bevelled top / Exterior cónico molybdeno ambos lados interior alto  
 MT5 : Molybdenum coated taper faced internally bevelled bottom / Exterior cónico molybdeno ambos lados interior inferior  
 MTK1 : Molybdenum coated taper faced keystone / Trapezoidal ambos lados molybdeno con cara cónica.  
 T5 : Taper faced internally bevelled bottom (Reverse torsion) / Exterior cónico cromado con rebaje interior inferior (Torsión inversa)  
 TH1 : Tapered half-keystone / Sección semi-keystone

## CYLINDER HEAD BOLTS TORNILLOS DE CULATA

26/20-1 = 12,7mm x 112mm (1/2 "UNC x 4.41")  
26/20-2 = 12,7mm x 138mm (1/2 "UNC x 5.43")



Tractors Tractores	Engines Motores	Cylinder Head Bolt Tornillos de culata
<b>1</b>		
<b>3 cylinder engines / Motores 3 cilindros</b>		
840, 940, 1040, 1140, 1630 2150 & 2255 (With RE29217 & RE29218 Blocks / Con bloques RE29217 & RE29218 )	3179D	-
1350, 1445F, 1550, 1745F, 1750, 1845F, 1850, 1850N, 2155 (741898⇄)		-
1950, 1950N 2345F (741898⇄), 2355N	3179T	-
3100, 3110 5103 (IND), 5103S (Asia), 5200, 5203 (Asia), 5203 (IND), 5300, 5300N, 5303 (MEX), 5310 (Asia), 5310 (IND)	3029D	<b>26/20-1</b> (R85363) 14 required Se usan 14 piezas
5103 (IND), 5103 (USA), 5104, 5105, 5203 (IND), 5203 (USA), 5204, 5205, 5210, 5220, 5303 (MEX), 5303 (North Africa), 5303 (South America), 5303 (TUR), 5303 (ZA), 5310 (EU), 5310 (IND), 5310N (EU)	3029D PowerTech	-
5103 (AUS), 5103 (USA), 5203 (AUS), 5203 (USA), 5215, 5303 (AUS), 5303 (EU), 5303 (USA), 5310 (USA), 5310N (USA), 5310S, 5315, 5320, 5320N, 5403, 5410 (EU), 5410 (IND), 5503, 5610	3029T PowerTech	-
5400, 5400N	3029T	-
<b>4 cylinder engines / Motores 4 cilindros</b>		
2020 (USA) (With RE19855 short block / Con bloque motores RE19855 )	4202D	-
1840 (DE), 2130 (DE) (With RE25575 & RE25595 blocks / Con bloques RE25575 & RE25595)		-
1640, 2040 (EU), 2040S (687811⇄) 2350, 2550 (686938⇄) 2250, 2355, 2450, 2555CS, 2650CS	4239D	<b>26/20-1</b> (R85363) 18 required Se usan 18 piezas
2140, 2750 (687811⇄) 2555TSS, 2650 (ES), 2650F, 2650N, 2650TSS, 2755, 2850, 2855N	4239T	-
2440	4219D	-
2630, 2640	4276D	<b>26/20-1</b> (R85363) 4 required Se usan 4 piezas
3200, 3200X, 3210, 3210X	4039D	<b>26/20-1</b> (R85363) 18 required Se usan 18 piezas

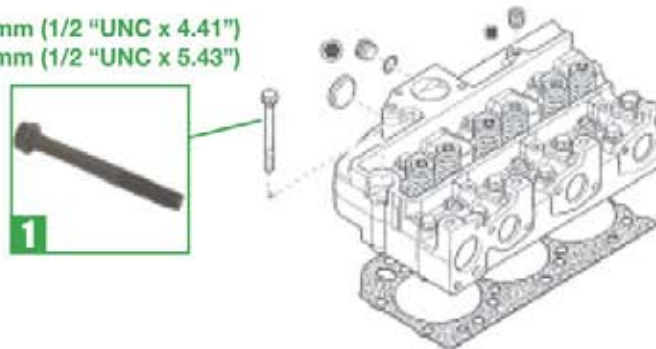
Part numbers are quoted for reference purposes only.  
Our parts and accessories are not original.

**"THE RELIABLE SERVICE"**

Las referencias originales tienen un propósito identificativo. Nuestras piezas no son originales.

**CYLINDER HEAD BOLTS**  
**TORNILLOS DE CULATA**

26/20-1 = 12,7mm x 112mm (1/2 "UNC x 4.41")  
 26/20-2 = 12,7mm x 138mm (1/2 "UNC x 5.43")

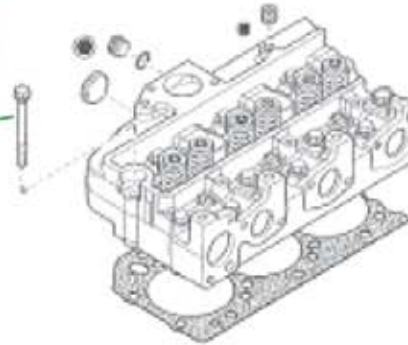


Tractors <i>Tractores</i>	Engines <i>Motores</i>	Cylinder Head Bolt <i>Tornillos de culata</i>	
		1	
<b>4 cylinder engines / Motores 4 cilindros</b>			
3300, 3300X, 3310, 3310X	4045D	26/20-1 (R85363) 18 required <i>Se usan 18 piezas</i>	-
3400, 3400X, 3410, 3410X 5500, 5500N	4039T		-
3210, 3210X, 3310, 3310X 5403 (BR), 5410 (USA), 5415N, 5420, 5420N, 5425 (MEX), 5425N (MEX), 5603 (BR), 5605, 5615 (MEX), 5615 (TUR), 5620, 5625 (MEX)	4045D PowerTech		-
3410, 3410X 5425 (USA), 5425N (USA), 5510, 5510N, 5515, 5520, 5520N, 5525, 5525N, 5603 (USA), 5615 (EU), 5625 (USA), 5705, 5715, 5720, 5725, 5725N, 5820	4045T PowerTech		-
6100, 6100SE	4045D		-
6200, 6200L, 6200SE, 6300, 6300L, 6300SE	4039T		-
6400, 6400L, 6400SE, 6400SP (TP001), 6500, 6500L	4045T		-
6010, 6010SE 6020, 6020SE (→799999)	4045D PowerTech		-
6020, 6020SE (800000→) 6110, 6110L, 6110SE, 6120, 6120L, 6120SE, 6205, 6210, 6210L, 6210SE, 6215, 6220, 6220L, 6220SE, 6310, 6310L, 6310S, 6310SE, 6320SE (→799999), 6400SP (TP054), 6403, 6405, 6410, 6410L, 6410S, 6410SE, 6415 (BR), 6415 (MEX), 6425 (MEX), 6510L, 6510S,	4045T PowerTech		-
6320, 6420, 6420S (Sauf / Except 4045HL472 de / to 476) 6320L, 6320SE (800000→), 6415 (USA), 6420L, 6420SE, 6520L (2 valves for cylinder / 2 válvulas por cilindro)	4045H PowerTech		-
6320, 6420, 6420S (4045HL472 de / to 476) (4 valves for cylinder / 4 válvulas por cilindro)		26/20-2 (R502511) 18 required <i>Se usa 18 piezas</i>	
6130, 6225, 6230, 6230PR (USA), 6325, 6330, 6330PR (USA), 6425 (EU), 6430, 6430PR (USA)	4045H PowerTech E	26/20-1 (R85363) 16 required <i>Se usan 16 piezas</i>	26/20-2 (R502511) 2 required <i>Se usan 2 piezas</i>
6230PR, 6330PR, 6430PR)	4045H PowerTech Plus	-	26/20-2 (R502511) 18 required <i>Se usan 18 piezas</i>



## CYLINDER HEAD BOLTS TORNILLOS DE CULATA

26/20-1 = 12,7mm x 112mm (1/2 "UNC x 4.41")  
 26/20-2 = 12,7mm x 138mm (1/2 "UNC x 5.43")



Tractors Tractores	Engines Motores	Cylinder Head Bolt Tornillos de culata	
		1	
<b>6 cylinder engines / Motores 6 cilindros</b>			
2950, 2955 3040 & 3140 (686039↔) 3050, 3055, 3150, 3155, 3350 (DE), 3350 (ES ↔ 155860), 3640	6359D		-
3255, 3350 (ES 761166↔), 3640S, 3650 4050	6359T		-
6600 7200	6059T		-
6506	6068D		-
6800, 6900 7400, 7500 (↔001336), 7600	6068T		-
6505, 6510, 6510SE 6515, 6520, 6520SE (↔799999)	6068D PowerTech	<b>26/20-1</b> (R85363) 26 required Se usan 26 piezas	-
6520, 6520SE, 6620, 6620SE, 6715 (↔799999) 6603, 6605, 6610, 6610SE, 6615 (BR), 6810, 6910, 6910S, 6920SE 7210, 7220, 7320, 7405, 7410, 7420, 7425, 7500 (001337↔), 7505, 7510, 7515, 7520, 7525, 7610, 7810 (BR)	6068T PowerTech		-
6515, 6520SE, 6620SE, 6715 (800000↔) 6520, 6620, 6820, 6920, 6920S (Except / Excepto 6068HL470 de / de 475) 7220 & 7320 (Except / Excepto 6068HRW61) 7420 (USA) & 7520 (USA) (Except / Excepto 6068HRW62) 6615 (USA), 7715, 7815 (2 valves for cylinder / 2 válvulas por cilindro)	6068H PowerTech		-
6520, 6620, 6820, 6920, 6920S (6068HL470 to / de 475) 7220 & 7320 (6068HRW61) 7420 & 7520 (6068HRW62) 7720, 7820 (EU) (4 valves for cylinder / 4 válvulas por cilindro)			<b>26/20-2</b> (R502511) 26 required Se usan 26 piezas
6525, 6530, 6630, 6830, 6930 7130, 7130PR, 7230, 7230PR, 7330, 7330PR, 7430PR (USA)	6068H PowerTech E	<b>26/20-1</b> (R85363) 24 required Se usan 24 piezas	<b>26/20-2</b> (R502511) 2 required Se usan 2 piezas
6530PR, 6630PR, 6830PR, 6930PR 7130PR, 7230PR, 7330PR, 7430PR, 7530PR, 7630, 7730, 7730, 7830	6068H PowerTech Plus		<b>26/20-2</b> (R502511) 26 required Se usan 26 piezas

**CYLINDER HEAD PARTS**  
**CULATAS Y PIEZAS ANEXAS**



Tractors <i>Tractores</i>	Engines <i>Motores</i>	Inlet Valve <i>Válvulas admi.</i>	Exhaust Valve <i>Válvulas esca.</i>	Valve springs <i>Muel. válvula</i>	Valve cotter <i>Vál.semiconos</i>	Valve Stem Seal <i>Junta válvulas</i>	Valve Stem Cap <i>Tapón de válvula</i>
		1	2	3	4	5	6
<b>3 cylinder engines / Motores 3 cilindros</b>							
310, 510 820, 830 (USA), 920 1020 (EU ⇔085099), 1020 (USA)	3152D	26/42-17 (R79623)	26/43-17 (R79624)	26/45-10 (R26125)	26/46-9 (T20077)	26/47-17 (R87627)	26/49-1 (T20129)
830 (EU), 930 1020 (EU 085100⇔), 1030, 1035, 1120, 1130, 1520, 1530 2040 (USA ⇔349999)	3164D						
840, 940 1040, 1140, 1350, 1445F, 1550, 1630, 1635, 1745F, 1750, 1845F, 1850, 1850N, 2040 (USA 350000⇔), 2150, 2155, 2240, 2255	3179D						
1950, 1950N, 2345F, 2355N	3179T	26/42-18 (R89219)					
3100, 3110 5103 (IND), 5103S (Asia), 5200, 5203 (Asia), 5203 (IND), 5300, 5300N, 5303 (MEX), 5310 (Asia), 5310 (IND)	3029D	26/42-150 (R98062)	26/43-150 (R90692)	26/45-10 (R26125)	26/46-10 (R91889)	26/47-191 (RE31617)	-
5400, 5400N	3029T						
5103 (IND), 5103 (USA), 5104, 5105, 5203 (IND), 5203 (USA), 5204, 5205, 5210, 5220, 5303 (MEX), 5303 (North Africa), 5303 (South America), 5303 (TUR), 5303 (ZA), 5310 (EU), 5310 (IND), 5310N (EU)	3029D Power Tech						
5103 (AUS), 5103 (USA), 5203 (AUS), 5203 (USA), 5215, 5303 (AUS), 5303 (EU), 5303 (USA), 5310 (USA), 5310N (USA), 5310S, 5315, 5320, 5320N, 5403, 5410 (EU), 5410 (IND), 5410N, 5503, 5610	3029T Power Tech						

Inlet and Exhaust valves are available in 0.076mm (0.003"), 0.381mm (0.015") and 0.762mm (0.030") oversize. Please add the suffix 'A', 'B' or 'C' respectively.  
 See page 71 for equivalent John Deere part numbers.  
 Las válvulas de admisión y escape están disponibles en las siguientes sobremedidas 0.076mm (0.003"), 0.381mm (0.015") y 0.762mm (0.030"). Adjuntar los prefijos A, B, o C respectivamente. Ver página 71 para las siguientes sobremedidas

Part numbers are quoted for reference purposes only.  
 Our parts and accessories are not original.

**"THE RELIABLE SERVICE"**

Las referencias originales tienen un propósito identificativo. Nuestras piezas no son originales

## CYLINDER HEAD PARTS CULATAS Y PIEZAS ANEXAS



Tractors Tractores	Engines Motores	Inlet Valve Válvulas adm.	Exhaust Valve Válvulas esca.	Valve springs Muel. válvula	Valve cotter Vál.semiconos	Valve Stem Seal Junta válvulas	Valve Stem Cap Tapón de válvula
		1	2	3	4	5	6
<b>4 cylinder engines / Motores 4 cilindros</b>							
710 2020, 2510	4202D						
1830 2030, 2035, 2120, 2440, 2520	4219D	26/42-17 (R79623)	26/43-17 (R79624)		26/46-9 (T20077)	26/47-17 (R87627)	26/49-1 (T20129)
1640, 1840 2040 (EU), 2040S, 2130, 2135, 2250, 2350, 2355, 2450, 2550, 2555CS, 2650CS	4239D					26/47-18 (R110524) For RE Heads Para tapa RE	
2140, 2555TSS, 2850 (ES), 2650F, 2650N, 2650TSS, 2750, 2755, 2850, 2855N	4239T	26/42-18 (R89219)					
2630, 2640	4276D	26/42-17 (R79623)					
3010		26/42-89 (R26124) (A)	26/43-89 (R26123) (A)				
3020 (⇔122999)	4270D	26/42-90 (R44174) (A)	26/43-90 (R44175) (A)	26/45-10 (R26125)		26/47-17 (R87627) Intake 'O' Ring Junta torica admisión	
3020 (123000 ⇔)		26/42-151 (R43883)	26/43-151 (R43679)		26/46-9 (T20077)		26/49-1 (T20129)
3200, 3200X, 3210, 3210X	4039D						
3400, 3400X, 3410, 3410X 5500, 5500N 6200, 6200L, 6200SE, 6300, 6300L, 6300SE	4039T						
3300, 3300X, 3310, 3310X 6100, 6100SE	4045D	26/42-150 (R98062)	26/43-150 (R90692)		26/46-10 (R91889)	26/47-191 (RE31617)	
3210, 3210X, 3310, 3310X 5403 (BR), 5410 (USA), 5415, 5415N, 5420, 5420N, 5425 (MEX), 5425N (MEX), 5603 (BR), 5605, 5615 (MEX), 5615 (TUR), 5620, 5625 (MEX) 6010, 6010SE 6020, 6020SE (⇔799999)	4045D Power Tech						

(A) Valve guide 26/41-90 (R28654) is also available / Guías de válvula 26/41-90 (R28654) están disponibles

Inlet and Exhaust valves are available in 0.076mm (0.003"), 0.381mm (0.015") and 0.762mm (0.030") oversize. Please add the suffix 'A', 'B' or 'C' respectively.

See page 71 for equivalent John Deere part numbers.

Las válvulas de admisión y escape están disponibles en las siguientes sobremedidas 0.076mm (0.003"), 0.381mm (0.015") y 0.762mm (0.030"). Adjuntar los prefijos A, B, o C respectivamente. Ver página 71 para las siguientes sobremedidas

**CYLINDER HEAD PARTS**  
**CULATAS Y PIEZAS ANEXAS**



Tractors Tractores	Engines Motores	Inlet Valve Válvulas adm.	Exhaust Valve Válvulas esca.	Valve springs Muef. válvula	Valve cotter Vál.semiconos	Valve Stem Seal Junta válvulas	Valve Stem Cap Tapón de válvula
		1	2	3	4	5	6
<b>4 cylinder engines / Motores 4 cilindros</b>							
3410, 3410X 5425 (USA), 5425N (USA), 5510, 5510N, 5515, 5520, 5520N, 5525, 5525N, 5603 (USA), 5615 (EU), 5625 (USA), 5705, 5715, 5720, 5725, 5725N, 5820 6020, 6020SE (800000⇄) 6110, 6110L, 6110SE, 6120, 6120L, 6120SE, 6205, 6210, 6210L, 6210SE, 6215, 6220, 6220L, 6220SE, 6310, 6310L, 6310S, 6310SE, 6320SE (⇄799999), 6400SP (TP054), 6403, 6405, 6410, 6410L, 6410S, 6410SE, 6415 (BR), 6415 (MEX), 6425 (MEX), 6510L, 6510S	4045T Power Tech	26/42-150 (R98062)	26/43-150 (R90692)	26/45-10 (R26125)	26/46-10 (R91889)	26/47-191 (RE31617)	-
6400, 6400L, 6400SE, 6400SP (TP001), 6500, 6500L	4045T						-
6320, 6420, 6420S (4045HL270 to L273) (800000⇄) 6320L, 6320SE (800000⇄), 6415 (USA), 6420L, 6420SE, 6520L	4045H Power Tech						-
6320, 6420, 6420S (4045HL472 to L476) (800000⇄)		26/42-93 (R502369 x2=RE518080)	26/43-93 (R502370 x2=RE518081)	26/45-93 (R503906 x2= RE516486)	-	-	-
6130, 6225, 6230, 6230PR (USA), 6325, 6330, 6330PR (USA), 6425 (EU), 6430, 6430PR (USA)	4045H Power Tech E	26/42-150 (R98062)	26/43-150 (R96092)	26/45-10 (R26125)	26/46-10 (R91889)	-	-
6230PR, 6330PR, 6430PR	4045H Power Tech Plus	26/42-94 (R518806 x2= RE531221)	26/43-93 (R502370 x2=RE518081)	26/45-94 (R518872)	-	-	-

Inlet and Exhaust valves are available in 0.076mm (0.003"), 0.381mm (0.015") and 0.762mm (0.030") oversize. Please add the suffix 'A', 'B' or 'C' respectively.  
 See page 71 for equivalent John Deere part numbers.  
 Las válvulas de admisión y escape están disponibles en las siguientes sobremedidas 0.076mm (0.003"), 0.381mm (0.015") and 0.762mm (0.030"). Adjuntar los prefijos A, B, o C respectivamente. Ver página 71 para las siguientes sobremedidas

## CYLINDER HEAD PARTS CULATAS Y PIEZAS ANEXAS



Tractors <i>Tractores</i>	Engines <i>Motores</i>	Inlet Valve <i>Válvulas adm.</i>	Exhaust Valve <i>Válvulas esca.</i>	Valve springs <i>Muel. válvula</i>	Valve cotter <i>Vál.semiconos</i>	Valve Stem Seal <i>Junta válvulas</i>	Valve Stem Cap <i>Tapón de válvula</i>	
		1	2	3	4	5	6	
<b>6 cylinder engines / Motores 6 cilindros</b>								
3120	6303D							
2840 3030, 3130, 3135 4030	6329D	<b>26/42-17</b> (R79623)	<b>26/43-17</b> (R79624)	<b>26/45-10</b> (R26125)	<b>26/46-9</b> (T20077)	<b>26/47-17</b> (R87627)	<b>26/49-1</b> (T20129)	
2940, 2950, 2955 3040, 3050, 3055, 3140, 3150, 3155, 3340, 3350 (DE), 3350 (ES ⇨ 155860), 3640	6359D					<b>26/47-18</b> (R110524) For RE Heads Para tapa RE		
3255, 3350 (ES 761166⇨), 3640S, 3650 4040 (EU), 4040S, 4050	6359T	<b>26/42-18</b> (R89219)						
4010	6404D	<b>26/42-89</b> (R26124) (A)	<b>26/43-89</b> (R26123) (A)				<b>26/47-17</b> (R87627) Intake 'O' Ring Junta torica admisión	
4020 (⇨ 200999)		<b>26/42-90</b> (R44174) (A)	<b>26/43-90</b> (R44175) (A)					
4000, 4020 (201000⇨), 4040 (USA), 4230		<b>26/42-151</b> (R43883)	<b>26/43-151</b> (R43679)					
4050, 4240	6466D							
4050E, 4240S, 4250, 4350, 4440, 4450, 4455 (MEX)	6466T	<b>26/42-152</b> (R50358)	<b>26/43-152</b> (R50357)					
4320	6404T	<b>26/42-95</b> (R43914)	<b>26/43-151</b> (R43679)					
4620	6404A							
4520	6404T	<b>26/42-151</b> (R43883) 45 deg. ⇨ 245756			<b>26/46-9</b> (T20077)		<b>26/49-1</b> (T20129)	
		<b>26/42-95</b> (R43914) 30 deg. 245757⇨						
4430								
4630	6404A	<b>26/42-152</b> (R50358)	<b>26/43-152</b> (R50357)					
4640, 4650, 4840, 4850	6466A							

(A) Valve guide **26/41-90** (R28654) is also available / Guías de válvula **26/41-90** (R28654) están disponibles

Inlet and Exhaust valves are available in 0.076mm (0.003"), 0.381mm (0.015") and 0.762mm (0.030") oversize. Please add the suffix 'A', 'B' or 'C' respectively.

See page 71 for equivalent John Deere part numbers.

Las válvulas de admisión y escape están disponibles en las siguientes sobremedidas 0.076mm (0.003"), 0.381mm (0.015") and 0.762mm (0.030"). Adjuntar los prefijos A, B, o C respectivamente. Ver pagina 71 para las siguientes sobremedidas

## CYLINDER HEAD PARTS CULATAS Y PIEZAS ANEXAS



Tractors Tractores	Engines Motores	Inlet Valve Válvulas adm.	Exhaust Valve Válvulas esca.	Valve springs Muel. válvula	Valve cotter Vál.semiconos	Valve Stem Seal Junta válvulas	Valve Stem Cap Tapón de válvula						
		1	2	3	4	5	6						
<b>6 cylinder engines / Motores 6 cilindros</b>													
4055, 4255, 4455, 4555, 4560	6076T	26/42-153 (R84618, R504060)	26/43-153 (R84619, R504061)	26/45-23 (R91822)	26/46-9 (T20077)	26/47-153 (R102882) Exhaust only Escape unic.	26/49-1 (T20129)						
4755, 4760, 4955, 4960	6076A												
6600 7200	6059T	26/42-150 (R98062)	26/43-150 (R90692)	26/45-10 (R26125)	26/46-10 (R91889)	26/47-191 (RE31617)							
6506	6068D												
6800, 6900 7400, 7500 (↔001336), 7600	6068T												
6505, 6510, 6510SE 6515, 6520, 6520SE (↔799999)	6068D Power Tech												
6603, 6605, 6610, 6610SE, 6615 (BR), 6810, 6910, 6910S, 6920SE 6520, 6520SE, 6620, 6620SE, 6715 (↔799999) 7210, 7220, 7320, 7405, 7410, 7420, 7425, 7500 (001337↔), 7505, 7510, 7515, 7520, 7525, 7610, 7810 (BR)	6068T Power Tech												
6515, 6520SE, 6620SE, 6715 (800000↔) 6520 (6068HL270), 6615 (USA) (6068HL271) (800000↔) 6620 (6068HLA70) (↔799999) & (6068HL272) (800000↔) 6820, 6920, 6920S (6068HLA71 to LA73) (↔799999) 7220, 7320 (Except / Excepto 6068HRW61) 7420 (USA), 7520 (USA) (Except / Excepto 6068HRW62) 7715, 7815	6068H Power Tech												
6520, 6620 (6068HL470, L471 & L475) (800000↔) 6820, 6920, 6920S (6068HL472 to L474) (800000↔) 7220, 7320 (6068HRW61) 7420 (USA), 7520 (USA) (6068HRW62) 7720, 7820 (EU)								26/42-93 (R502369 x2=RE518080)	26/43-93 (R502370 x2=RE518081)	26/45-93 (R503906 x2=RE516486)			

Inlet and Exhaust valves are available in 0.076mm (0.003"), 0.381mm (0.015") and 0.762mm (0.030") oversize. Please add the suffix 'A', 'B' or 'C' respectively.  
 See page 71 for equivalent John Deere part numbers.  
 Las válvulas de admisión y escape están disponibles en las siguientes sobremedidas 0.076mm (0.003"), 0.381mm (0.015") and 0.762mm (0.030"). Adjuntar los prefijos A, B, o C respectivamente. Ver página 71 para las siguientes sobremedidas.

Part numbers are quoted for reference purposes only.  
 Our parts and accessories are not original.

**"THE RELIABLE SERVICE"**

Las referencias originales tienen un propósito identificativo. Nuestras piezas no son originales.

## CYLINDER HEAD PARTS CULATAS Y PIEZAS ANEXAS



Tractors <i>Tractores</i>	Engines <i>Motores</i>	Inlet Valve <i>Válvulas adm.</i>	Exhaust Valve <i>Válvulas esca.</i>	Valve springs <i>Muel. válvula</i>	Valve cotter <i>Vál.semiconos</i>	Valve Stem Seal <i>Junta válvulas</i>	Valve Stem Cap <i>Tapón de válvula</i>
		1	2	3	4	5	6
<b>6 cylinder engines / Motores 6 cilindros</b>							
6525, 6530, 6630, 6830, 6930 7130, 7130PR, 7230, 7230PR, 7330, 7330PR, 7430PR (USA)	6068H Power Tech E	26/42-150 (R98062)	26/43-150 (R98092)	26/45-10 (R26125)	26/46-10 (R91889)	-	-
6530PR, 6630PR, 6830PR, 6930PR 7130PR, 7230PR, 7330PR, 7430PR, 7530PR, 7630, 7730, 7830, 7930	6068H Power Tech Plus	26/42-94 (R518806 x2=RE531221)	26/43-93 (R502370 x2=RE518081)	26/45-94 (R518872)	-	-	-
7020 (↔335845)	6404A	26/42-95 (R43914)	26/43-151 (R43679)	26/45-10 (R26125)			
7020 (335846↔)		26/42-152 (R50358)	26/43-152 (R50357)				
7700, 7800	6076T	26/42-153 (R84618, R504060)	26/43-153 (R84619, R504061)	26/45-23 (R91822)	26/46-9 (T20077)	26/47-153 (R102882) Exhaust only <i>Escape unic.</i>	26/49-1 (T20129)
8100, 8200, 8300 (↔009999)	6076H						
7710, 7810 (USA) (↔089999)	6081T Power Tech						
8100, 8200, 8300 (010000↔) 8100T, 8110, 8110T, 8200T, 8210, 8210T, 8300T, 8310, 8310T, 8400, 8400T, 8410, 8410T 9100	6081H Power Tech						
7710, 7810 (USA) (090000↔) 7820 (USA), 7920 8120, 8120T, 8220, 8220T, 8320, 8320T, 8420, 8420T, 8520, 8520T 9120	6081H Power Tech						
8430, 8440, 8450	6466A	26/42-152 (R50358)	26/43-152 (R50357)	26/45-10 (R26125)	-	-	-
8560, 8570	6076H	26/42-153 (R84618, R504060)	26/43-153 (R84619, R504061)	26/45-23 (R91822)	-	26/47-153 (R102882) Exhaust only <i>Escape unic.</i>	-

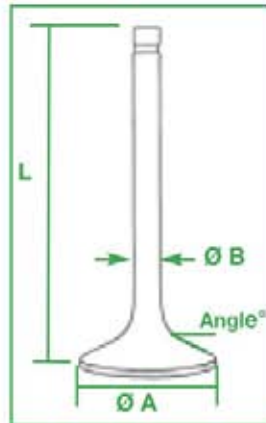
Inlet and Exhaust valves are available in 0.076mm (0.003"), 0.381mm (0.015") and 0.762mm (0.030") oversize. Please add the suffix 'A', 'B' or 'C' respectively.

See page 71 for equivalent John Deere part numbers.

Las válvulas de admisión y escape están disponibles en las siguientes sobremedidas 0.076mm (0.003"), 0.381mm (0.015") and 0.762mm (0.030"). Adjuntar los prefijos A, B, o C respectivamente. Ver página 71 para las siguientes sobremedidas

## CYLINDER HEAD PARTS CULATAS Y PIEZAS ANEXAS

Inlet / Admisión				
Ref.	Ø A (mm)	Ø B (mm)	L (mm)	Angle°
26/42-17	45	9,5	131	45
26/42-18	46			30
26/42-89	45,1	9,4	159	45
26/42-90	48,3		158,6	
26/42-93	37	7	135,6	30
26/42-94			135,5	
26/42-95	44,5	9,5	156	
26/42-150	46,6	7,9	134,2	
26/42-151	48,2	9,4	156,1	45
26/42-152	43,5	9,5	157,5	30
26/42-153	51		153,9	



Outlet / Escape				
Ref.	Ø A (mm)	Ø B (mm)	L (mm)	Angle°
26/43-17	40	9,5	131	45
26/43-89	40,4	9,4	158,7	
26/43-90	43,5		158,2	
26/43-93	36	7	135,5	
26/43-150	42,5	7,9	133,4	30
26/43-151	43,5	9,5	156	45
26/43-152			157,5	30
26/43-153	47	157		

OEM numbers for oversized inlet valve Referencias originales de válv. admisión en las siguientes sobremedidas				OEM numbers for oversized outlet valve Referencias originales de válv. escape en las siguientes sobremedidas			
Standard	0.076mm (0.003")	0.381mm (0.015")	0.762mm (0.030")	Standard	0.076mm (0.003")	0.381mm (0.015")	0.762mm (0.030")
26/42-17 (R79623)	26/42-17A (R79628)	26/42-17B (R79629)	26/42-17C (R79630)	26/43-17 (R79624)	26/43-17A (R79625)	26/43-17B (R79626)	26/43-17C (R79627)
26/42-18 (R89219)	26/42-18A (R89220)	26/42-18B (R89221)	26/42-18C (R89222)	26/43-89 (R26123)	-	-	-
26/42-89 (R26124)	-	-	-	26/43-90 (R44175)	-	-	-
26/42-90 (R44174)	-	-	-	26/43-93 (R502370 x2=RE518081)	-	-	-
26/42-93 (R502369 x2=RE518080)	-	-	-	26/43-150 (R90692)	-	26/43-150B (R97492)	26/43-150C (R97493)
26/42-94 (R518806 x2=RE531221)	-	-	-	26/43-151 (R43679)	26/43-151A (R43787)	26/43-151B (R43788)	26/43-151C (R43789)
26/42-95 (R43914)	26/42-95A (R46206)	26/42-95B (R46207)	26/42-95C (R46208)	26/43-152 (R50357)	26/43-152A (R55056)	26/43-152B (R55058)	26/43-152C (R55060)
26/42-150 (R98062)	-	26/42-150B (R97490)	26/42-150C (R97491)	26/43-153 (R504061)	26/43-153A (R93311)	26/43-153B (R93313)	26/43-153C (R93315)
26/42-151 (R43883)	26/42-151A (R45003)	26/42-151B (R45004)	26/42-151C (R45005)				
26/42-152 (R50358)	26/42-152A (R55055)	26/42-152B (R55057)	26/42-152C (R55059)				
26/42-153 (R504060)	26/42-153A (R93308)	26/42-153B (R93312)	26/42-153C (R93314)				

Part numbers are quoted for reference purposes only.  
Our parts and accessories are not original.

**"THE RELIABLE SERVICE"**

Las referencias originales tienen un propósito identificativo. Nuestras piezas no son originales



## ROCKER SHAFTS & ARMS BALANCINES



Tractors Tractoros	Engines Motores	Rocker arm inlet Balancin de admis.	Rocker arm exhaust Balancin de escape	Push rod Empujador	Tappet Taquet	Camshaft bush Casa. árbol levas
		1	2	3	4	5
<b>3 cylinder engines / Motores 3 cilindros</b>						
310, 510 820, 830 (USA) 920 1020 (EU ↔085099), 1020 (USA)	3152D					-
830 (EU), 930 1020 (EU 085100↔) 1030, 1035, 1120, 1130, 1520, 1530 2040 (USA ↔349999)	3164D	<b>26/50-3</b> (AT31250, RE19031, RE31973)	<b>26/50-3</b> (AT31250, RE19031, RE31973)	<b>26/53-3</b> (T20310, R82896)	<b>26/54-4</b> (T20073)	-
840, 940 1040, 1140, 1350, 1445F, 1550, 1630, 1635, 1745F, 1750, 1845F, 1850, 1850N, 2040 (USA 350000↔), 2150, 2155, 2240, 2255	3179D					
1950, 1950N, 2345F, 2355N	3179T					
3100, 3110	3029D					
5103 (IND), 5103S (Asia), 5203 (Asia), 5203 (IND), 5303 (MEX), 5310 (Asia), 5310 (IND)	3029D					
5103 (IND), 5104, 5203 (IND), 5204, 5303 (MEX), 5303 (North Africa), 5303 (South America), 5303 (TUR), 5303 (ZA), 5310 (IND)	3029D Power Tech	<b>26/50-20</b> (RE62148)	<b>26/50-20</b> (RE62148)	<b>26/53-20</b> (R515095)	<b>26/54-20</b> (R515092)	
5103 (AUS), 5203 (AUS), 5303 (AUS), 5303 (EU), 5403, 5410 (IND), 5503, 5610	3029T Power Tech					<b>26/56-20</b> (R102840, R505418, R119874)
5103 (USA), 5203 (USA)	3029D Power Tech	<b>26/50-3</b> (RE31973) ↔107810	<b>26/50-3</b> (RE31973) ↔107810	<b>26/53-3</b> (R82896) ↔107810 234mm (9.21")	<b>26/54-4</b> (T20073) ↔107810	
5103 (USA), 5203 (USA), 5303 (USA)	3029T Power Tech	<b>26/50-20</b> (RE62148) 107811↔	<b>26/50-20</b> (RE62148) 107811↔	<b>26/53-20</b> (R515095) 107811↔ 230mm (9.06")	<b>26/54-20</b> (R515092) 107811↔	
5200, 5300, 5300N	3029D	<b>26/50-3</b> (RE31973)	<b>26/50-3</b> (RE31973)	<b>26/53-3</b> (R82896)		
5105, 5205, 5210, 5220, 5310 (EU), 5310N (EU)	3029D Power Tech	Early design <i>Primeros modelos</i>	Early design <i>Primeros modelos</i>	Early design <i>Primeros modelos</i> 234mm (9.21")		
5400, 5400N	3029T	<b>26/50-24</b> (RE508317)	<b>26/50-24</b> (RE508317)	<b>26/53-20</b> (R515095)	<b>26/54-4</b> (T20073)	
5215, 5310 (USA), 5310N (USA), 5310S, 5315, 5320, 5320N, 5410 (EU), 5410N	3029T Power Tech	Late design <i>Ultimos mod.</i>	Late design <i>Ultimos mod.</i>	Late design <i>Ultimos mod.</i> 230mm (9.06")		

(NB) See page 79, for the rocker arm difference between early design and late design and also for the tappets.  
Ver página 79 para la diferencia entre balancines de los primeros modelos y los últimos modelos, también para los taquets.

## ROCKER SHAFTS & ARMS BALANCINES



Tractors <i>Tractores</i>	Engines <i>Motores</i>	Rocker arm inlet <i>Balancin de admis.</i>	Rocker arm exhaust <i>Balancin de escape</i>	Push rod <i>Empujador</i>	Tappet <i>Taquet</i>	Camshaft bush <i>Casq. árbol levas</i>
		1	2	3	4	5
<b>4 cylinder engines / Motores 4 cilindros</b>						
710 2020, 2510	4202D					-
1830 2030, 2035, 2120, 2440, 2520	4219D					-
1640, 1840 2040 (EU), 2040S, 2130, 2135, 2250, 2350, 2355, 2450, 2550, 2555CS, 2650CS	4239D	26/50-3 (AT31250, RE19031, RE31973)	26/50-3 (AT31250, RE19031, RE31973)	26/53-3 (T20310, R82896) 234mm (9.21")	26/54-4 (T20073)	26/56-20 (R119874)
2140, 2555TSS, 2650 (ES), 2650F, 2650N, 2650TSS, 2750, 2755, 2850, 2855N	4239T					
2630, 2640	4276D	26/50-3 (RE31973)	26/50-3 (RE31973)	26/53-21 (R54799, R83429) 270mm (10.63")		-
3010, 3020 (⇔ 122999) Blocks / Bloques R26160, R32020, R40850	4270D				26/54-22 (R26342)	26/56-22 (R46903)
3020 (⇔ 122999) Blocks / Bloques R40910, R46350, R46430 3020 (123000 ⇔)						
3200, 3200X, 3210, 3210X	4039D	26/50-3 (RE31973)	26/50-3 (RE31973)	26/53-3 (T20310, R82896) 234mm (9.21")	26/54-4 (T20073)	26/56-20 (R119874)
3400, 3400X, 3410, 3410X	4039T					
3300, 3300X, 3310, 3310X	4045D			26/53-21 (R54799, R83429) 270mm (10.63")		
3210, 3210X, 3310, 3310X	4045D Power Tech	26/50-24 (RE68695, RE508317)	26/50-24 (RE68695, RE508317)	26/53-24 (R107731)	26/54-24 (R123565)	
3410, 3410X	4045T Power Tech					

(NB) See page 79, for the rocker arm difference between early design and late design and also for the tappets.  
 Ver página 79 para la diferencia de balancin, entre los primeros modelos y los últimos modelos, así como los taquets.

## ROCKER SHAFTS & ARMS BALANCINES



1



2



3



4



5

Tractors <i>Tractores</i>	Engines <i>Motores</i>	Rocker arm inlet <i>Balancin de admis.</i>	Rocker arm exhaust <i>Balancin de escape</i>	Push rod <i>Empujador</i>	Tappet <i>Taquet</i>	Camshaft bush <i>Casa. árbol levas</i>
		1	2	3	4	5
<b>4 cylinder engines / Motores 4 cilindros</b>						
5500, 5500N 6200, 6200L, 6200SE, 6300, 6300L, 6300SE	4039T	26/50-3 (RE31973) Early design <i>Primeros modelos</i>	26/50-3 (RE31973) Early design <i>Primeros modelos</i>	26/53-3 (R82896) Early design <i>Primeros modelos</i> 234mm (9.21")	26/54-4 (T20073)	26/56-20 (R119874)
6100, 6100SE	4045D	26/50-24 (RE508317) Late design <i>Ultimos mod.</i>	26/50-24 (RE508317) Late design <i>Ultimos mod.</i>	26/53-20 (R515095) Late design <i>Ultimos mod.</i> 230mm (9.06")		
6400, 6400L, 6400SE, 6400SP (TP001), 6500, 6500L	4045T			26/53-21 (R83429) Early design <i>Primeros modelos</i> 270mm (10.63")		
5403 (BR), 5410 (USA), 5415, 5415N, 5420, 5420N, 5425 (MEX), 5425N (MEX), 5603 (BR), 5605, 5615 (MEX), 5615 (TUR), 5620, 5625 (MEX) 6010, 6010SE 6020, 6020SE (⇔ 799999)	4045D Power Tech			26/53-24 (R107731) Late design <i>Ultimos mod.</i> 265mm (10.43")		
5425 (USA), 5425N (USA) 5510, 5510N, 5515, 5520, 5520N, 5525, 5525N, 5603 (USA), 5615 (EU), 5625 (USA), 5705, 5715, 5720, 5725, 5725N, 5820 6020, 6020SE (800000 ⇔) 6110, 6110L, 6110SE, 6120, 6120L, 6120SE, 6205, 6210, 6210L, 6210SE, 6215, 6220, 6220L, 6220SE, 6310, 6310L, 6310S, 6310SE, 6320SE (⇔ 799999) 6400SP (TP054) 6403, 6405, 6410, 6410L, 6410S 6410SE, 6415 (BR), 6415 (MEX), 6425 (MEX), 6510L, 6510S	4045T Power Tech	26/50-24 (RE68695, RE508317)	26/50-24 (RE68695, RE508317)	26/53-24 (R107731)	26/54-24 (R123565)	
6320, 6420, 6420S (4045HL270 to / de L273) (800000⇔) 6320L, 6320SE (800000⇔), 6415 (USA), 6420L, 6420SE, 6520L	4045H Power Tech					
6320, 6420, 6420S (4045HL472 to / de L476) (800000⇔)	4045H Power Tech					

(NB) See page 79, for the rocker arm difference between early design and late design and also for the tappets.  
Ver página 79 para la diferencia de balancin, entre los primeros modelos y los últimos modelos, así como los taquets.

Part numbers are quoted for reference purposes only.  
Our parts and accessories are not original.

**"THE RELIABLE SERVICE"**

Las referencias originales tienen un propósito identificativo. Nuestras piezas no son originales

## ROCKER SHAFTS & ARMS BALANCINES



1



2



3



4



5

Tractors <i>Tractores</i>	Engines <i>Motores</i>	Rocker arm inlet <i>Balancin de admis.</i>	Rocker arm exhaust <i>Balancin de escape</i>	Push rod <i>Empujador</i>	Tappet <i>Taquet</i>	Camshaft bush <i>Casq. árbol levas</i>
		1	2	3	4	5
<b>4 cylinder engines / Motores 4 cilindros</b>						
6130, 6225, 6230, 6230PR (USA), 6325, 6330, 6330PR (USA), 6425 (EU), 6430, 6430PR (USA)	4045H Power Tech E	26/50-24 (RE508317)	26/50-24 (RE508317)	26/53-24 (R107731)		
6230PR, 6330PR, 6430PR	4045H Power Tech Plus	-	-	-	26/54-24 (R123565)	26/56-20 (R119874)
<b>6 cylinder engines / Motores 6 cilindros</b>						
3120	6303D					-
2840 3030, 3130, 3135 4030	6329D					-
2940, 2950, 2955 3040, 3050, 3055, 3140, 3150, 3155, 3340, 3350 (DE) 3350 (ES ⇔ 155860) 3640	6359D	26/50-3 (AT31250, RE19031, RE31973)	26/50-3 (AT31250, RE19031, RE31973)	26/53-3 (T20310, R82896)	26/54-4 (T20073)	26/56-20 (R119874)
3255, 3350 (ES 761166⇔) 3640S, 3650, 4040 (EU) 4040S, 4050	6359T					
4010, 4020 (⇔200999) Blocks / Bloques R26070, R33180, R34340, R40890, R40900					26/54-22 (R26342)	
4010, 4020 (⇔200999) Blocks / Bloques R40930	6404D					26/56-22 (R46903)
4000, 4020 (201000⇔) 4040 (USA) 4230						
4050, 4240	6466D				26/54-23 (R52773)	
4050E, 4240S, 4250, 4350, 4440, 4450, 4455 (MEX)	6466T					
4320, 4430, 4520	6404T					
4620, 4630	6404A					
4640, 4650, 4840, 4850	6466A					

NB) See page 79, for the rocker arm difference between early design and late design and also for the tappets.  
 Ver página 79 para la diferencia de balancin, entre los primeros modelos y los últimos modelos, así como los taquets.

## ROCKER SHAFTS & ARMS BALANCINES



Tractors Tractores	Engines Motores	Rocker arm inlet Balancin de admis.	Rocker arm exhaust Balancin de escape	Push rod Empujador	Tappet Taquet	Camshaft bush Casq. árbol levas
		1	2	3	4	5
<b>6 cylinder engines / Motores 6 cilindros</b>						
4055, 4255, 4455, 4555, 4580	8076T				26/54-27 (R105379)	26/56-28 (R87561)
4755, 4760, 4955, 4960	8076A				26/54-28 (R110126) With Camshaft marked Árbol de levas R108370	
6600	8059T	26/50-3 (RE31973) Early design Primeros modelos	26/50-3 (RE31973) Early design Primeros modelos	26/53-3 (R82896) Early design Primeros modelos 234mm (9.21")	26/54-4 (T20073)	26/56-20 (R119874)
6506	6068D	26/50-24 (RE508317) Late design Ultimos mod.	26/50-24 (RE508317) Late design Ultimos mod.	26/53-20 (R515095) Late design Ultimos mod. 230mm (9.06")		
6800, 6900	6068T			26/53-21 (R83429) Early design Primeros modelos 270mm (10.63")		
6505, 6510, 6510SE 6515, 6520, 6520SE (↔ 799999)	6068D Power Tech			26/53-24 (R107731) Late design Ultimos mod. 265mm (10.43")		
6603, 6605, 6610, 6610SE, 6615 (BR) 6810, 6910, 6910S, 6920SE 6520, 6520SE, 6620, 6620SE, 6715 (↔ 799999) 7210, 7220, 7320, 7405, 7410, 7420, 7425, 7500 (001337↔) 7505, 7510, 7515, 7520, 7525, 7610, 7810 (BR)	6068T Power Tech	26/50-24 (RE68695, RE508317)	26/50-24 (RE68695, RE508317)	26/53-24 (R107731)	26/54-24 (R123565)	

(NB) See page 79, for the rocker arm difference between early design and late design and also for the tappets.  
 Ver página 79 para la diferencia de balancin, entre los primeros modelos y los últimos modelos, así como los taquets.

## ROCKER SHAFTS & ARMS BALANCINES



1



2



3



4



5

Tractors <i>Tractoros</i>	Engines <i>Motores</i>	Rocker arm inlet <i>Balancin de admis.</i>	Rocker arm exhaust <i>Balancin de escape</i>	Push rod <i>Empujador</i>	Tappet <i>Taquet</i>	Camshaft bush <i>Casa. árbol levas</i>
		1	2	3	4	5
<b>6 cylinder engines / Motores 6 cilindros</b>						
6515, 6520SE, 6620SE, 6715 (800000↔) 6520 (6068HL270) (800000↔) 6615 (USA) (6068HL271) (800000↔) 6620 (6068HLA70) (↔799999) & (6068HL272) (800000↔) 6820, 6920, 6920S (6068HLA71 to / de LA73) (↔799999) 7220, 7320 (Except / Excepto 6068HRW61) 7420 (USA), 7520 (USA) (Except / Excepto 6068HRW62) 7715, 7815	6068H Power Tech	26/50-24 (RE68695, RE508317)	26/50-24 (RE68695, RE508317)	26/53-24 (R107731)		
6520, 6620 (6068HL470, L471 & L475) (800000↔) 6820, 6920, 6920S (6068HL472 to / de L474) (800000↔) 7220, 7320 (6068HRW61) 7420 (USA), 7520 (USA) (6068HRW62) 7720, 7820 (EU)		-	-	-	26/54-24 (R123565)	26/56-20 (R119874)
6525, 6530, 6630, 6830, 6930 7130, 7130PR, 7230, 7230PR, 7330, 7330PR, 7430PR (USA)	6068H Power Tech E	26/50-24 (RE68695, RE508317)	26/50-24 (RE68695, RE508317)	26/53-24 (R107731)		
6530PR, 6630PR, 6830PR, 6930PR 7130PR, 7230PR, 7330PR, 7430PR, 7530PR, 7630, 7730, 7830, 7930	6068H Power Tech Plus	-	-	-		
7020	6404A	-	-	-	26/54-23 (R52773)	26/56-22 (R48903)
7200	6059T	26/50-20 (RE62148)	26/50-20 (RE62148)	26/53-29 (R107732) 230mm (9.06")		-
7400	6068T			26/53-24 (R107731) 265mm (10.43")	26/54-4 (T20073)	-
7500 (↔001336)		26/50-3 (RE31973)	26/50-3 (RE31973)	26/53-21 (R54799, R83429)		-

(NB) See page 79, for the rocker arm difference between early design and late design and also for the tappets.  
 Ver página 79 para la diferencia de balancin, entre los primeros modelos y los últimos modelos, así como los taquets.

## ROCKER SHAFTS & ARMS BALANCINES



1



2



3



4



5

Tractors Tractores	Engines Motores	Rocker arm inlet Balancin de admis.	Rocker arm exhaust Balancin de escape	Push rod Empujador	Tappet Taquet	Camshaft bush Caja. árbol levas
		1	2	3	4	5
<b>6 cylinder engines / Motores 6 cilindros</b>						
7600	6068T	26/50-3 (RE31973) ↔379968  26/50-20 (RE62148) 379969 ↔	26/50-3 (RE31973) ↔379968  26/50-20 (RE62148) 379969 ↔	26/53-21 (R83429) ↔379968 270mm (10.63")  26/53-24 (R107731) 379969 ↔ 265mm (10.43")	26/54-4 (T20073)	-
7700, 7800	6076T					
8100, 8200, 8300 (↔009999)	6076H					
7710, 7810 (USA) (↔089999)	6081T Power Tech					
7710, 7810 (USA) (090000↔) 7820 (USA) 7920 8100, 8200, 8300 (010000↔) 8100T, 8110, 8110T, 8120, 8120T, 8200T, 8210, 8210T, 8220, 8220T, 8300T, 8310, 8310T, 8320, 8320T, 8400, 8400T, 8410, 8410T, 8420, 8420T, 8520, 8520T 9100, 9120	6081H Power Tech	-	-		26/54-28 (R110126)	26/56-28 (R87561)
8130, 8230, 8230T, 8330, 8330T, 8430, 8430T, 8530 9230	6090H Power Tech	-	-		-	
8430, 8440, 8450	6466A	-	-		26/54-23 (R52773)	26/56-22 (R46903)
8560 (↔499999)					26/54-27 (R105379)	26/56-28 (R87561)
8560 (500000 ↔), 8570	6076H	-	-		26/54-28 (R110126)	

(NB) See page 79, for the rocker arm difference between early design and late design and also for the tappets.  
 Ver página 79 para la diferencia de balancin, entre los primeros modelos y los últimos modelos, así como los taquets.

**ROCKER SHAFTS & ARMS**  
**BALANCINES**

**Tappets / Taquets**



With 4 holes  
 Con 4 agujeros

26/54-4 (T20073)  
 26/54-20 (R515092)  
 26/54-24 (R123565)

With 1 holes  
 Con 1 agujero

26/54-22 (R26342)



26/54-23 (R52773)  
 26/54-27 (R105379)  
 26/54-28 (R110126)

**Rocker arm and push rod / Balancin y empujador**



Early design rocker  
 Primeros modelos

26/50-3 (RE31973)  
 26/53-3 (R82896)  
 26/53-21 (R83429)



Late design rocker  
 Últimos modelos

26/50-24 (RE508314)  
 26/53-20 (R515095)  
 26/53-24 (R107731)

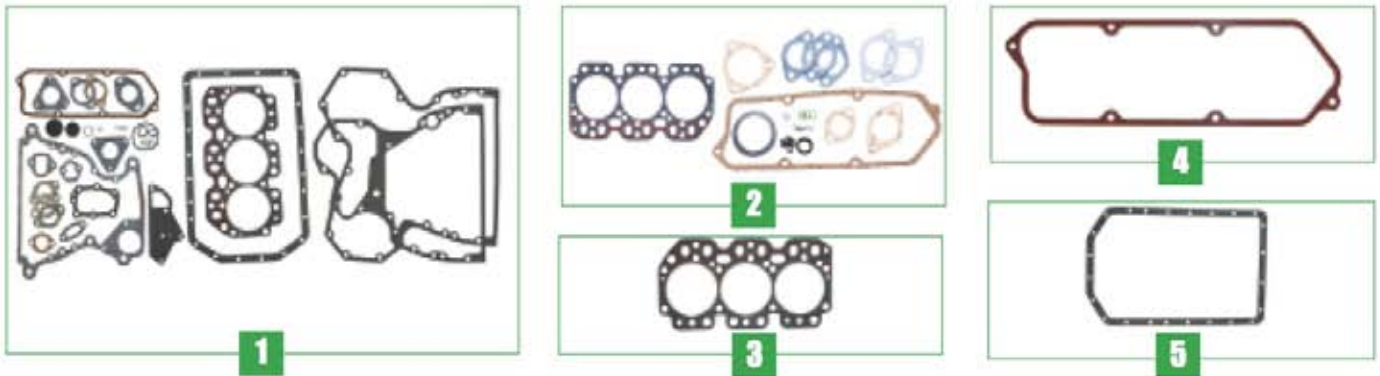
Part numbers are quoted for reference purposes only.  
 Our parts and accessories are not original.

**"THE RELIABLE SERVICE"**

Las referencias originales tienen un propósito identificativo. Nuestras piezas no son originales



**ENGINE GASKET SETS**  
**JUNTAS DE MOTOR**



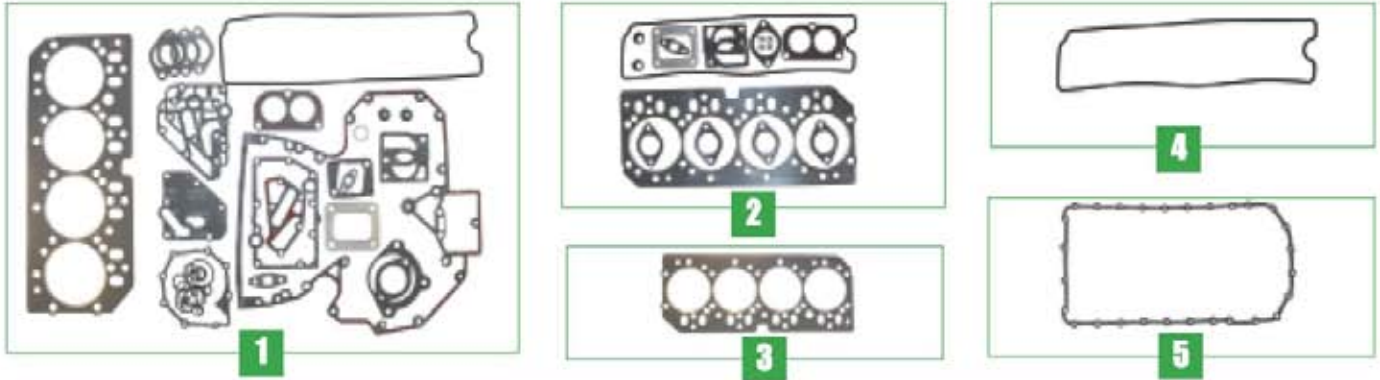
Tractors <i>Tractores</i>	Engines <i>Motores</i>	Full gasket set <i>Juego completo</i>	Top gasket set <i>Juego superior</i>	Cyl. head gasket <i>Junta culata</i>	Rocker cov. gasket <i>Junta tapa de bal.</i>	Sump gasket <i>Junta de cárter</i>
		1	2	3	4	5
<b>3 cylinder engines / Motores 3 cilindros</b>						
310, 510 820, 830 (USA), 920 1020 (EU ↔085099), 1020 (USA)	3152D	<b>26/70-40</b> (RE38570, RE501574, RE524747)	<b>26/71-40</b> (RE38848)	<b>26/73-40</b> (R98460) Ø 115mm	<b>26/74-40</b> (R75729)	<b>26/75-41</b> (T24534, R119359)
830 (EU), 930 1020 (EU 085100 ↔), 1030, 1035, 1120, 1130, 1520, 1530 2040 (USA ↔349999)	3164D	<b>26/70-41</b> (RE37492, RE38853, RE50978, RE527026)	<b>26/71-41</b> (RE37489, RE38850, RE527282)	<b>26/73-41</b> (R97356, R515090, R515273) Ø 119mm		
840, 940 1040, 1140, 1350, 1445F, 1550, 1630, 1635, 1745F, 1750, 1845F, 1850, 1850N 2040 (USA 350000 ↔), 2150, 2155, 2240, 2255	3179D				<b>26/74-206</b> (R106796)	<b>26/75-41</b> (R119359)
1950, 1950N, 2345F, 2355N	3179T	<b>26/74-206</b> (R106796)	<b>26/75-41</b> (R119359)			
3100, 3110	3029D			<b>26/70-206</b> (RE64294)	<b>26/71-206</b> (RE64293)	<b>26/74-206</b> (R106796)
5103 (IND), 5103S (Asia), 5200, 5203 (Asia), 5203 (IND), 5300, 5300N, 5303 (MEX), 5310 (Asia), 5310 (IND)						
5103 (IND), 5103 (USA), 5104, 5105, 5203 (IND), 5203 (USA), 5204, 5205, 5210, 5220, 5303 (MEX), 5303 (North Africa), 5303 (South America), 5303 (TUR), 5303 (ZA), 5310 (EU), 5310 (IND), 5310N (EU)	3029D Power Tech	<b>26/70-206</b> (RE64294)	<b>26/71-206</b> (RE64293)	<b>26/74-206</b> (R106796)	<b>26/75-41</b> (R119359)	
5400, 5400N	3029T					
5103 (AUS), 5103 (USA), 5203 (AUS), 5203 (USA), 5215, 5303 (AUS), 5303 (EU), 5303 (USA), 5310 (USA), 5310N (USA), 5310S, 5315, 5320, 5320N, 5403, 5410 (EU), 5410 (IND), 5410N, 5503, 5610	3029T Power Tech	<b>26/70-206</b> (RE64294)	<b>26/71-206</b> (RE64293)	<b>26/74-206</b> (R106796)	<b>26/75-41</b> (R119359)	

Part numbers are quoted for reference purposes only.  
 Our parts and accessories are not original.

**"THE RELIABLE SERVICE"**

Las referencias originales tienen un propósito identifica-  
 tivo. Nuestras piezas no son originales

**ENGINE GASKET SETS**  
**JUNTAS DE MOTOR**



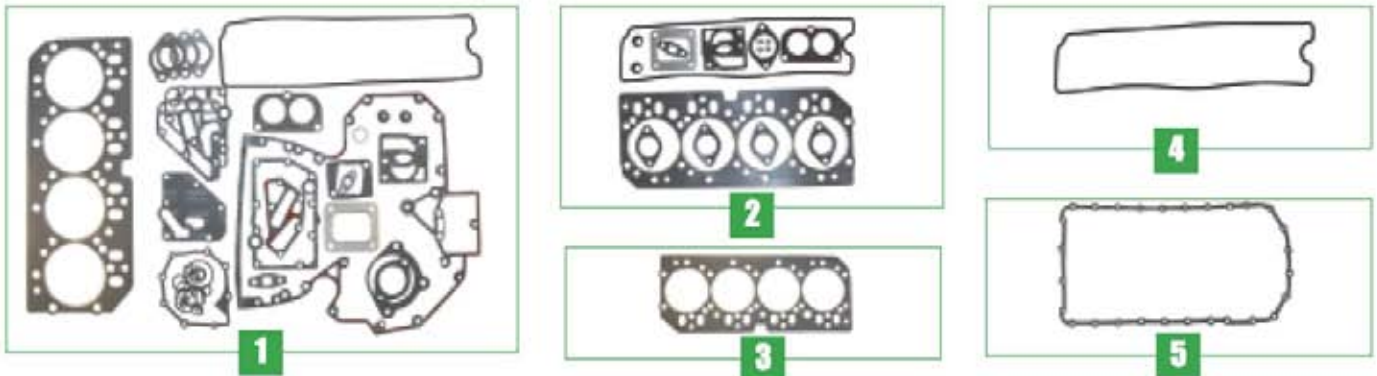
Tractors <i>Tractores</i>	Engines <i>Motores</i>	Full gasket set <i>Juego completo</i>	Top gasket set <i>Juego superior</i>	Cyl. head gasket <i>Junta culata</i>	Rocker cov. gasket <i>Junta tapa de bal.</i>	Sump gasket <i>Junta de cárter</i>
		1	2	3	4	5
<b>4 cylinder engines / Motores 4 cilindros</b>						
710 2020, 2510	4202D	26/70-42 (RE38558, RE501570, RE524745)	26/71-42 (AR100417, RE38847, RE526666)	26/73-42 (R98461) 115mm dia. <i>Diam. 115mm</i>	26/74-43 (R73521)	26/75-43 (R97342) Cast Iron Pan Cárter hierro colado 26/75-42 (R119360) Steel Pan Cárter acero
1830 2030, 2035, 2120, 2440, 2520	4219D	26/70-43 (RE12459, RE38857, RE501579, RE524748)	26/71-43 (AR100426, RE38851, RE526668)	26/73-43 (R92425, R125863, R515274) 119mm dia. <i>Diam. 119mm</i>		26/74-43 (R73521) Metal Cover <i>Tapas de metal</i>
1640, 1840 2040 (EU), 2040S, 2130, 2135, 2250 (DE), 2450 (DE), 2650CS	4239D					
2140, 2650N, 2650TSS, 2750, 2850 (DE)	4239T				26/74-206 (R106796) Composite Cover <i>Tapas de plástico</i>	
2250 (ES), 2250F, 2350, 2355, 2450 (ES), 2450F, 2550, 2555CS	4239D	26/70-207 (RE53141, RE526878)	26/71-207 (RE53123, RE526891)			
2555TSS, 2650 (ES), 2650F, 2755, 2850 (ES), 2855N	4239T					
2630 (⇔325067)	4276D	26/70-150 (RE16934, RE38599, RE525071)	26/71-43 (RE38851, RE526668)		26/74-43 (R73521)	26/75-42 (T24535, R119360)
2630 (325068⇔), 2640	4276D	26/70-151 (RE37715, RE501588, RE524751)				
3010 3020 (⇔122999)	4270D	26/70-208 (AR53033, RE524091)	26/71-208 (AR53032, RE524090)	26/73-208 (R45616, R520529)	26/74-208 (R49865)	26/75-208 (R71917, R520582)
3020 (123000⇔)		26/70-209 (AR53035, RE524093)	26/71-209 (AR53034, RE524092)	26/73-209 (R48292, R520535)		

Part numbers are quoted for reference purposes only.  
 Our parts and accessories are not original.

**"THE RELIABLE SERVICE"**

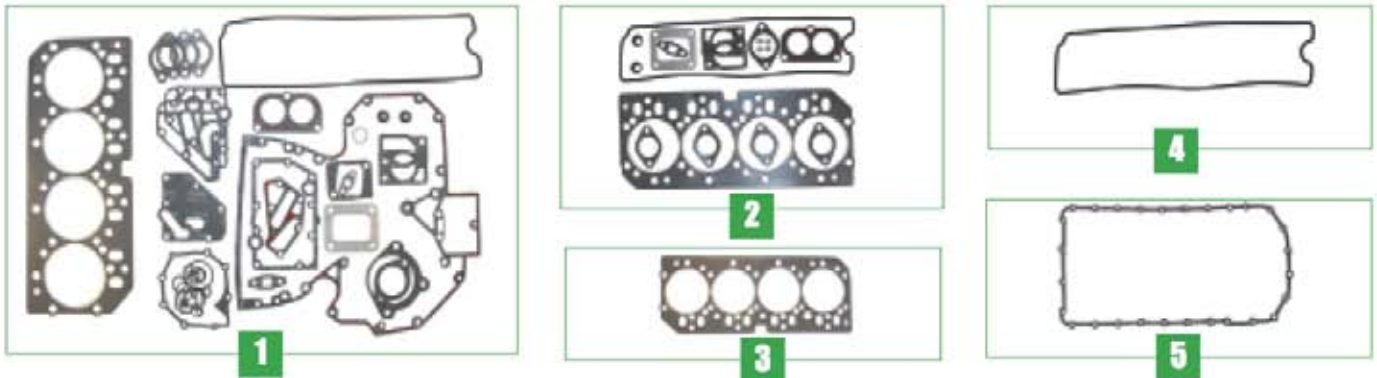
Las referencias originales tienen un propósito identificativo. Nuestras piezas no son originales

## ENGINE GASKET SETS JUNTAS DE MOTOR



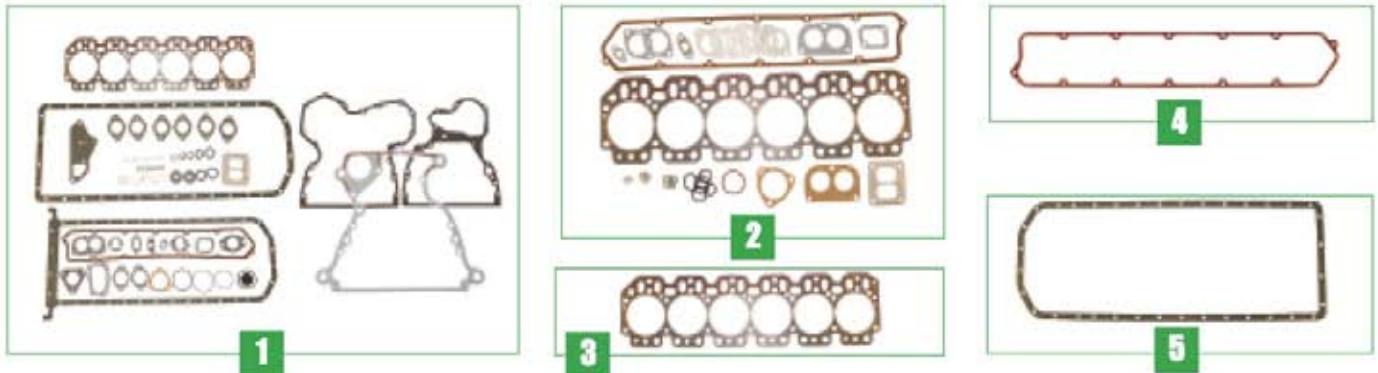
Tractors Tractores	Engines Motores	Full gasket set Juego completo	Top gasket set Juego superior	Cyl. head gasket Junta culata	Rocker cov. gasket Junta tapa de bal.	Sump gasket Junta de cárter
		1	2	3	4	5
<b>4 cylinder engines / Motores 4 cilindros</b>						
3200, 3200X, 3210, 3210X	4039D				<b>26/74-206</b> (R106796)	
3400, 3400X, 3410, 3410X	4039T					
3300, 3300X, 3310, 3310X	4045D	<b>26/70-210</b> (RE64291)	<b>26/71-210</b> (RE64290)	<b>26/73-43</b> (R92425, R125863, R515274)	<b>26/74-43</b> (R73521) Early Design Primeros modelos <b>26/74-206</b> (R106796) Late design Últimos modelos	<b>26/75-43</b> (R97342)
3210, 3210X, 3310, 3310X	4045D Power Tech					<b>26/75-310</b> (R123353)
3410, 3410X	4045T Power Tech		<b>26/71-305</b> (RE66082, RE526670)			
5403 (BR), 5410 (USA), 5415, 5415N, 5420, 5420N, 5425 (MEX), 5425N (MEX), 5603 (BR), 5605, 5615 (MEX), 5615 (TUR), 5625 (MEX)	4045D Power Tech	<b>26/70-305</b> (RE66086, RE501455, RE527042)	<b>26/71-308</b> (RE66084, RE526671) With Sump Set Con juego de cárter	<b>26/73-305</b> (R116515)	<b>26/74-305</b> (R123542)	<b>26/75-311</b> (R123352, R521525, R522030) Holes / Agujeros Ø 11mm
5425 (USA), 5425N (USA), 5510, 5510N, 5515, 5520, 5520N, 5525, 5525N, 5603 (USA), 5615 (EU), 5625 (USA), 5705, 5715, 5725, 5725N	4045T Power Tech					
5500, 5500N	4039T					<b>26/75-42</b> (R119360)
6100, 6100SE	4045D					
6200, 6200L, 6200SE, 6300, 6300L, 6300SE	4039T	<b>26/70-210</b> (RE64291)	<b>26/71-210</b> (RE64290)	<b>26/73-43</b> (R92425, R125863, R515274)	<b>26/74-206</b> (R106796)	<b>26/75-311</b> (R123352, R522030) Holes / Agujeros Ø 11mm
6400, 6400L, 6400SE, 6400SP (TP001), 6500, 6500L	4045T					

**ENGINE GASKET SETS**  
**JUNTAS DE MOTOR**



Tractors <i>Tractores</i>	Engines <i>Motores</i>	Full gasket set <i>Juego completo</i>	Top gasket set <i>Juego superior</i>	Cyl. head gasket <i>Junta culata</i>	Rocker cov. gasket <i>Junta tapa de bal.</i>	Sump gasket <i>Junta de cárter</i>
		1	2	3	4	5
<b>4 cylinder engines / Motores 4 cilindros</b>						
5620 6010, 6010SE 6020, 6020SE (↔799999)	4045D Power Tech					
5720, 5820 6020, 6020SE (800000↔) 6110, 6110L, 6110SE, 6120, 6120L, 6120SE, 6205, 6210, 6210L, 6210SE, 6215, 6220, 6220L, 6220SE, 6310, 6310L, 6310S, 6310SE, 6320SE (↔799999), 6400SP (TP054), 6403, 6405, 6410, 6410L, 6410S, 6410SE, 6415 (BR), 6415 (MEX), 6425 (MEX), 6510L, 6510S	4045T Power Tech	26/70-305 (RE66086, RE501455, RE527042)	26/71-305 (RE66082, RE526670)  26/71-308 (RE66084, RE526671) With Sump Set <i>Con juego de cárter</i>		26/74-305 (R123542)	
6320, 6420, 6420S (4045HL270 to L273) (800000↔) 6320L, 6320SE (800000↔), 6415 (USA), 6420L, 6420SE, 6520L				26/73-305 (R116515)		26/75-223 (R521493) Holes / <i>Agujeros</i> Ø 9mm
6320, 6420, 6420S (4045HL472 to L476) (800000↔)	4045H Power Tech	26/70-223 (RE518198, RE527010)	26/71-223 (RE518200, RE527008) 26/71-222 (RE518199, RE527009) With Sump Set <i>Con juego de cárter</i>		26/74-223 (R505174, R524499)	
6130, 6225, 6230, 6230PR, 6230PR (USA), 6325, 6330, 6330PR (USA), 6425 (EU), 6430, 6430PR (USA)	4045H Power Tech E	26/70-224 (RE532713)	26/71-224 (RE532842)		26/74-224 (R523925, R524468)	
6230PR, 6330PR, 6430PR)	4045H Power Tech Plus	-	-		26/74-223 (R505174, R524499)	

**ENGINE GASKET SETS**  
**JUNTAS DE MOTOR**



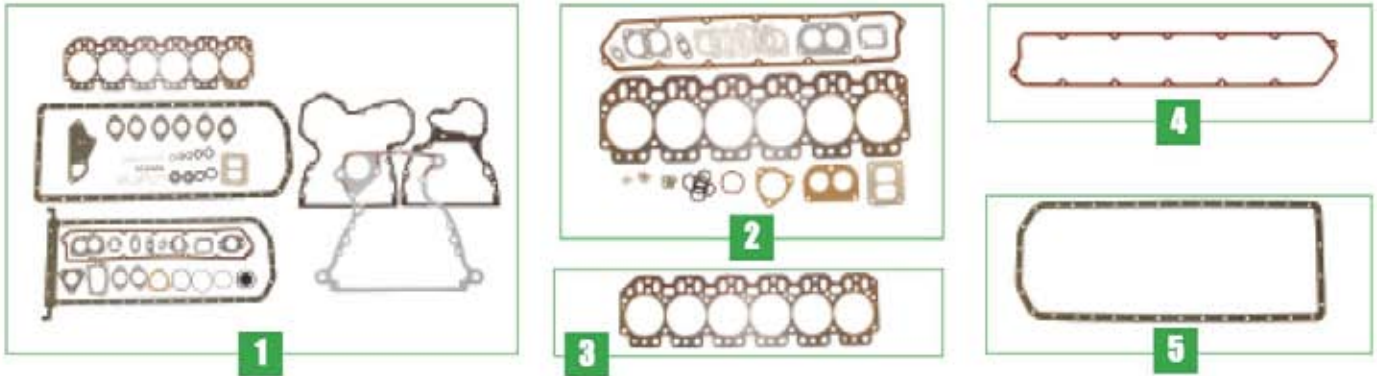
Tractors <i>Tractores</i>	Engines <i>Motores</i>	Full gasket set <i>Juego completo</i>	Top gasket set <i>Juego superior</i>	Cyl. head gasket <i>Junta culata</i>	Rocker cov. gasket <i>Junta tapa de bal.</i>	Sump gasket <i>Junta de cárter</i>
		1	2	3	4	5
<b>6 cylinder engines / Motores 6 cilindros</b>						
3120	6303D	26/70-44 (RE13256, RE526837)	26/71-44 (RE13268, RE38571, RE526667)	26/73-44 (R98462) 115mm dia. Diam. 115mm		
2840 3130 (ES), 3135	6329D	26/70-45 (RE38858, RE501580, RE527022)				
3030, 3130 (DE)		26/70-46 (RE38860, RE527027)				
2940, 2950 3040, 3140 (DE ⇨ 429999) 3150 (ES)	6359D	26/70-55 (RE38859, RE501581, RE524749)			26/74-45 (R75728)	26/75-45 (R97344)
3040, 3140 (DE 430000⇨) 3140 (ES), 3340		26/70-45 (RE38858, RE501580, RE527022)				
2955 3040, 3140 (DE 430000⇨) With increased lift capacity <i>Con aumentado de la capacidad de levante</i> 3050, 3055, 3150 (USA), 3155, 3350 (DE), 3640		26/70-46 (RE38860, RE44575, RE527027)				
3255, 3350 (ES), 3640S	6359T	26/70-45 (RE38858, RE501580, RE527022)				
3650		26/70-46 (RE38860, RE527027)				
4030	6329D	26/70-45 (RE38858, RE501580, RE527022)				26/75-226 (R97345)
4040(EU), 4040S, 4050	6359T					
4010 4020 (⇨200999)	6404D	26/70-212 (AR53626, RE524099)	26/71-212 (AR53625, RE524098)	26/73-212 (R45615, R520528)	26/74-212 (R49866)	26/75-46 (R71918, R520583)
4000, 4020 (201000 ⇨)		26/70-213 (AR53631, RE524102)	26/71-213 (AR53630, RE524101)	26/73-154 (R48291, R520534)		

Part numbers are quoted for reference purposes only.  
 Our parts and accessories are not original.

**"THE RELIABLE SERVICE"**

Las referencias originales tienen un propósito identifica-  
 tivo. Nuestras piezas no son originales

**ENGINE GASKET SETS**  
**JUNTAS DE MOTOR**



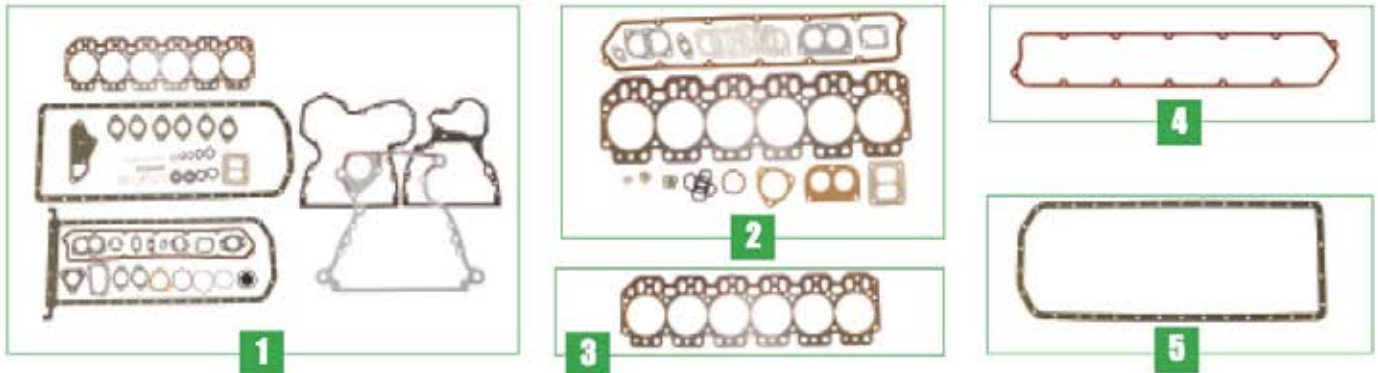
Tractors <i>Tractores</i>	Engines <i>Motores</i>	Full gasket set <i>Juego completo</i>	Top gasket set <i>Juego superior</i>	Cyl. head gasket <i>Junta culata</i>	Rocker cov. gasket <i>Junta tapa de bal.</i>	Sump gasket <i>Junta de cárter</i>
		1	2	3	4	5
<b>6 cylinder engines / Motores 6 cilindros</b>						
4040 (USA), 4230	6404D	26/70-154 (AR63938, RE524107)	26/71-154 (AR63940, RE524110)	26/73-154 (R48291, R520534) Thin <i>Fino</i>  26/73-153 (R53438, R520550) Thick <i>Grueso</i>	26/74-212 (R49866)	26/75-46 (R71918, R520583)
4320, 4520 4620	6404T 6404A	26/70-214 (AR53094, RG27873, RE524182)	26/71-214 (RG27874, RE524626)	26/73-154 (R48291, R520534)		
4430 4630	6404T 6404A	26/70-158 (AR63269, RG27875, RE524423)	26/71-158 (AR63270, RG27876, RE524429)			
4050, 4240	6466D	26/70-157 (AR100638, RG27872, RE524395)	26/71-157 (AR100632, RG27871, RE524396)	26/73-156 (RE47336) Thin <i>Fino</i>  26/73-157 (R66065, R520706) Thick <i>Grueso</i>		
4050E, 4240S, 4250, 4350, 4440, 4450, 4455 (MEX) 4640, 4650, 4840, 4850	6466T 6466A	26/70-155 (AR98845, RG27877, RE524404)	26/71-155 (AR98851, RG27883, RE524409)	26/73-156 (R55182, RE47336)		
4055, 4255, 4455, 4555, 4580 4755, 4760, 4955, 4960	6076T 6076A	26/70-156 (RE35647, RG27878, RE524624)	26/71-156 (RE29859, RG27884, RE526730)			
6506	6068D					
6600	6059T	26/70-216 (RE501055, RE527288)	26/71-216 (RE501054)	26/73-45 (R114157)		
6800, 6900	6068T					

Part numbers are quoted for reference purposes only.  
 Our parts and accessories are not original.

**"THE RELIABLE SERVICE"**

Las referencias originales tienen un propósito identificativo. Nuestras piezas no son originales

## ENGINE GASKET SETS JUNTAS DE MOTOR



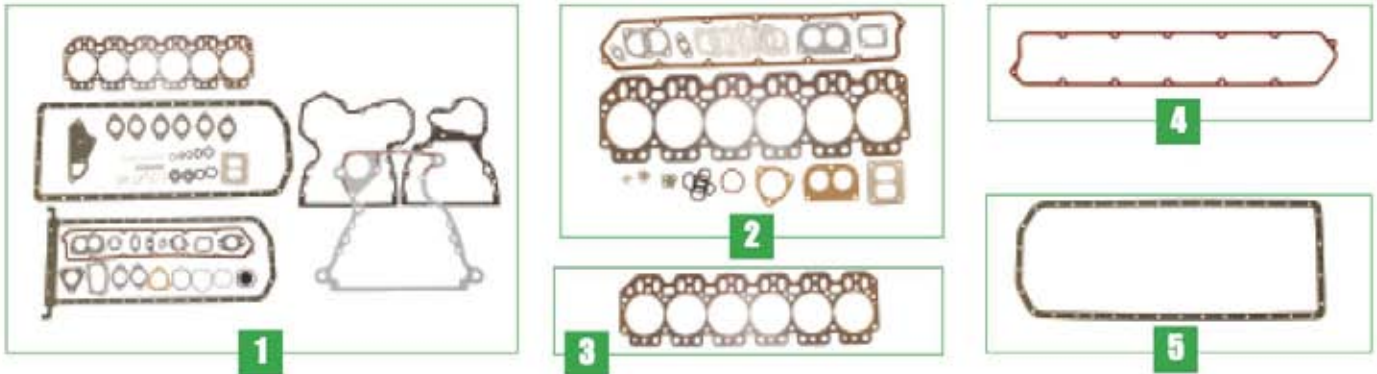
Tractors <i>Tractores</i>	Engines <i>Motores</i>	Full gasket set <i>Juego completo</i>	Top gasket set <i>Juego superior</i>	Cyl. head gasket <i>Junta culata</i>	Rocker cov. gasket <i>Junta tapa de bal.</i>	Sump gasket <i>Junta de cárter</i>
		1	2	3	4	5
<b>6 cylinder engines / Motores 6 cilindros</b>						
7200	6059T	26/70-217 (RE501585, RE525008)	26/71-217 (RE54843, RE526669)			26/75-45 (R97344) Early design <i>Primeros mode- los</i> 26/75-306 (R123354) Late Design <i>Últimos modelos</i>
7400, 7600	6068T	26/70-153 (RE38555, RE501569, RE524752)	26/71-45 (RE38852, RE527283)	26/73-45 (R114157)	26/74-45 (R75728)	
7500 (↔001336)	6068D	26/70-45 (RE38858, RE527022)				26/75-45 (R97344)
6505, 6510, 6510SE 6515, 6520, 6520SE (↔799999)	6068D Power Tech					26/75-45 (R97344) Early design <i>Primeros mode- los</i>
6603, 6605, 6610, 6610SE, 6615 (BR), 6810, 6910, 6910S 6520, 6520SE, 6620, 6620SE, 6715 (↔799999), 6920SE 7210, 7220, 7320, 7405, 7410, 7420, 7425, 7500 (001337↔), 7505, 7510, 7515, 7520, 7525, 7610, 7810 (BR)	6068T Power Tech	26/70-306 (RE66087, RE501456, RE526965)	26/71-306 (RE66083, RE526672)			26/75-224 (R500349, R521498) Late Design <i>Últimos modelos</i>
6515, 6520SE, 6620SE, 6715 (800000↔), 6520 (6068HL270) (800000↔), 6615 (USA) (6068HL271) (800000↔) 6620 (6068HLA70) (↔799999) & (6068HL272) (800000↔) 6820, 6920, 6920S (6068HLA71 to LA73) (↔799999) 7220 & 7320 (except / excepto 6068HRW61) 7420 (USA) & 7520 (USA) (except / excepto 6068HRW62) 7715, 7815	6068H Power Tech		26/71-307 (RE66085, RE526673) With Sump Set <i>Con juego de cárter</i>	26/73-306 (R116516)	26/74-306 (R123543)	
6520, 6620 (6068HL470, L471 & L475) (800000↔) 6820, 6920, 6920S (6068HL472 to / de L474) (800000↔) 7220 & 7320 (6068HRW61) 7420 (USA) & 7520 (USA) (6068HRW62) 7720, 7820 (EU)		26/70-218 (RE518148, RE527015)	26/71-218 (RE518152)  26/71-219 (RE518154, RE527014) With Sump Set <i>Con juego de cárter</i>		26/74-218 (R504882, R524497)	26/75-224 (R500349, R521498)
6525, 6530, 6630, 6830, 6930 7130, 7130PR, 7230, 7230PR, 7330, 7330PR, 7430PR (USA)	6068H Power Tech E	26/70-225 (RE532631)	26/71-225 (RE532841)		26/74-225 (R524469)	
6530PR, 6630PR, 6830PR, 6930PR 7130PR, 7230PR, 7330PR, 7430PR, 7530PR, 7630, 7730, 7830, 7930	6068H Power Tech Plus				26/74-218 (R504882, R524497)	

Part numbers are quoted for reference purposes only.  
Our parts and accessories are not original.

**"THE RELIABLE SERVICE"**

Las referencias originales tienen un propósito identifica-  
tivo. Nuestras piezas no son originales

**ENGINE GASKET SETS**  
**JUNTAS DE MOTOR**



Tractors <i>Tractores</i>	Engines <i>Motores</i>	Full gasket set <i>Juego completo</i>	Top gasket set <i>Juego superior</i>	Cyl. head gasket <i>Junta culata</i>	Rocker cov. gasket <i>Junta tapa de bal.</i>	Sump gasket <i>Junta de cárter</i>
		1	2	3	4	5
<b>6 cylinder engines / Motores 6 cilindros</b>						
7020 (⇔335845)	6404A	26/70-214 (AR53094, RG27873, RE524182)	26/71-214 (AR53095, RG27874, RE524626)	26/73-154 (R48291, R520534)	26/74-212 (R49866)	26/75-46 (R71918, R520583)
7020 (335846⇔)		26/70-158 (AR63269, RG27875, RE524423)	26/71-158 (AR63270, RG27876, RE524429)			26/75-156 (R49377, RE504822, R521228)
7700, 7800	6076T	26/70-220 (RG27881, RE524640)	26/71-156 (RG27884, RE526730)	26/73-156 (RE47336)	26/74-212 (R49866)	26/75-191 (R125855)
8100, 8200, 8300 (⇔009999)	6076H					26/75-156 (R49377, RE504822, R521228)
7710, 7810 (USA) (⇔089999)	6081T Power Tech	26/70-191 (RE57187, RE506220, RE524761, RE527549)	26/71-191 (RE57186, RE506222, RE527550)	26/73-191 (RE55475)	26/74-212 (R49866) ⇔018791	26/75-156 (RE504822, R521228)
8100, 8200, 8300 (010000⇔) 8100T, 8110, 8110T, 8200T, 8210, 8210T, 8300T, 8310, 8310T, 8400, 8400T, 8410, 8410T	6081H Power Tech					26/75-191 (R125855) Cast Iron Pan Cárter hierro colado
9100		26/70-221 (RE521058, RE526258, RE527551)	26/71-221 (RE521059, RE526729, RE527552)	26/74-212 (R49866)	26/75-156 (R521228) Aluminium Pan Cárter de aluminio	
7710, 7810 (USA) (090000⇔) 7820 (USA), 7920 9120		and y	26/75-191 (R125855) Cast Iron Pan Cárter hierro colado			
8120, 8120T, 8220, 8220T, 8320, 8320T, 8420, 8420T, 8520, 8520T	26/74-222 (R502719)	26/70-155 (RG27877, RE524404)	26/71-155 (RG22247, RG27883, RE524409)	26/73-156 (RE47336)	26/74-212 (R49866)	26/75-46 (R71918, R520583)
8430, 8440, 8450	6466A	26/70-156 (RG27878, RE524624)	26/71-156 (RG27884, RE526730)	26/73-156 (RE47336)	26/74-212 (R49866)	26/75-156 (R49377, RE504822, R521228)
8560 (⇔499999)	6076H	26/70-220 (RG27881, RE524640)				26/75-156 (R49377, RE504822, R521228)
8560 (500000⇔), 8570						

Part numbers are quoted for reference purposes only.  
 Our parts and accessories are not original.

**"THE RELIABLE SERVICE"**

Las referencias originales tienen un propósito identificativo. Nuestras piezas no son originales



## TIMING GEAR ENGRANAJES DE DISTRIBUCIÓN



Tractors <i>Tractores</i>	Motors <i>Motores</i>	Up. Idler Gear <i>Piñón sup.</i>	Up. Idler Bush <i>Casquillo sup.</i>	Low. Idler Gear <i>Piñón inferior</i>	Low Idler Bush <i>Casquillo inferior</i>	Camshaft gear <i>Piñ arbol de levas</i>
		1	2	3	4	5
<b>3 cylinder engines / Motores 3 cilindros</b>						
310, 510 820, 830 (USA), 920 1020 (EU ⇄ 085099), 1020 (USA)	3152D					
830 (EU), 930 1020 (EU 085100⇄), 1120 1030, 1035, 1130, 1520, 1530 2040 (USA ⇄ 349999)	3164D	26/82-5 (AT18009, AR91660) Z = 55	26/84-1 (T20034)	26/82-6 (AT18039, AT24252) Z = 45	26/84-1 (T20034) For / Para AT18039 Width / Ancho 21,20 26/84-2 (T26321) For / Para AT24252 Width / Ancho 19,00	26/81-20 (T20070) Z = 48
840, 940 1040, 1140, 1350, 1445F, 1550, 1630, 1635, 1745F, 1750, 1845F, 1850, 1850N 2040 (USA 350000⇄) 2150, 2155, 2240, 2255	3179D			26/82-6 (AT24252) Z = 45	26/84-2 (T26321)	
1950, 1950N, 2345F, 2355N	3179T					
<b>4 cylinder engines / Motores 4 cilindros</b>						
710 2020, 2510	4202D			26/82-6 (AT18039, AT24252) Z = 45	26/84-1 (T20034) For / Para AT18039 Width / Ancho 21,20 26/84-2 (T26321) For / Para AT24252 Width / Ancho 19,00	
1830 2030, 2035, 2120, 2440, 2520	4219D					
1640, 1840 2040 (EU), 2040S, 2130, 2135, 2250, 2350, 2355, 2450, 2550, 2555CS, 2650CS	4239D	26/82-5 (AT18009, AR91660) Z = 55	26/84-1 (T20034)			26/81-20 (T20070) Z = 48
2140, 2555TSS, 2650 (ES), 2650F, 2650N, 2650TSS, 2750, 2755, 2850, 2855N	4239T			26/82-6 (AT24252) Z = 45	26/84-2 (T26321)	
2630, 2640	4276D					
6100, 6100SE	4045D					
6200, 6200L, 6200SE, 6300, 6300L, 6300SE	4039T					
6400, 6400L, 6400SE, 6500, 6500L	4045T					

Part numbers are quoted for reference purposes only.  
Our parts and accessories are not original.

**"THE RELIABLE SERVICE"**

Las referencias originales tienen un propósito identificativo. Nuestras piezas no son originales.

**TIMING GEAR**  
**ENGRANAJES DE DISTRIBUCIÓN**



Tractors <i>Tractores</i>	Motors <i>Motores</i>	Up. Idler Gear <i>Piñón sup.</i>	Up. Idler Bush <i>Casquillo sup.</i>	Low. Idler Gear <i>Piñón inferior</i>	Low Idler Bush <i>Casquillo inferior</i>	Camshaft gear <i>Piñ arbol de levas</i>
		1	2	3	4	5
<b>8 cylinder engines / Motores 6 cilindros</b>						
3120	6303D					
2840	6329D					
3030, 3130, 3135 4030						
2940, 2950, 2955 3040, 3050, 3055, 3140, 3150, 3155, 3340, 3350 (DE), 3350 (ES ↔155860), 3640	6359D					
3255, 3350 (ES 761166↔), 3640S, 3650 4040 (EU), 4040S, 4050	6359T					
6506	6068D					
6600, 7200	6059T					
6800, 6900, 7400, 7500, 7600	6068T					

## CAPS AND DIPSTICKS TAPONES Y VARILLAS



1



2



3



4

See page 101 for the photos and dimensions of the parts shown below. / Para las fotos y dimensiones de los artículos mostrados más abajo, ver página 101

Tractors Tractores	Engines Motores	Oil filler cap Tapón aceite	Dipstick Varilla	Sump plug Tapón de carter	Washer Junta tapón de carter
		1	2	3	4
<b>3 cylinder engines / Motores 3 cilindros</b>					
310, 510 820, 830 (USA), 920 1020 (EU ⇔ 085099), 1020 (USA)	3152D	26/85-7 (T20294, R90788)	26/86-11 (AT21534)	26/88-7 (T20098, R515346)	26/6088-7 (T13213) Aluminium Aluminio
830 (EU), 930 1020 (EU 085100⇔), 1030, 1035, 1120, 1130, 1520, 1530 2040 (USA ⇔ 349999)	3164D				
840, 940, 1040, 1140 2150, 2255	3179D	26/85-7 (R90788) 1 1/2" - 12UNF  or / o  26/85-23 (R80136) M48 x 2	26/86-21 (AT21535)	26/88-7 (T20098, R515346) Sheet Metal Pan Carter chapa metálica 7/8" - 20UNF 26/88-8 (M1746T)	26/6088-8 (R120247) Copper Cobre
1350 1445F, 1745F, 1845F 1750V, 1850 (ES), 1850F, 1850V (⇔ 155860)		26/85-7 (R90788)			
1550, 1750, 1850 (DE), 1850N 1750V & 1850V (766422⇔) 1850 (ES) & 1850F (765518⇔)		26/85-23 (R80136)	26/86-11 (AT21534)	Cast Iron Pan Cárter hierro colado 7/8" - 14UNC	
1630, 1635 2040 (USA 350000⇔), 2240		26/85-7 (R90788)			
1950, 1950N	3179T	26/85-23 (R80136)	26/86-21 (AT21535)	26/88-8 (M1746T)	
2345F		26/85-7 (R90788)			

**CAPS AND DIPSTICKS**  
**TAPONES Y VARILLAS**



**1**



**2**



**3**



**4**

See page 101 for the photos and dimensions of the parts shown below. / Para las fotos y dimensiones de los artículos mostrados más abajo, ver página 101

Tractors <i>Tractores</i>	Engines <i>Motores</i>	Oil filler cap <i>Tapón aceite</i>	Dipstick <i>Varilla</i>	Sump plug <i>Tapón de carter</i>	Washer <i>Junta tapón de carter</i>			
		1	2	3	4			
<b>3 cylinder engines / Motores 3 cilindros</b>								
2155CS (↔751023), 2155TSS (↔743474)	3179D	26/85-23 (R80136)	26/86-21 (AT21535) >963019	26/88-7 (T20098, R515346) Sheet Metal Pan Carter chapa metálica 7/8" - 20UNF 26/88-8 (M1746T) Cast Iron Pan Carter hierro colado 7/8" - 14UNC	26/6088-7 (T13213) Aluminium Aluminio  or / o  26/6088-8 (R120247) Copper Cobre			
2155CS (751024↔), 2155TSS (743475↔)		26/85-7 (R90788)		26/88-8 (M1746T)				
2355N	3179T	-		26/88-22 (R116102, R515195)				
3100, 3110	3029D	-		-				
5103 (IND), 5103S (Asia), 5203 (Asia), 5203 (IND), 5303 (MEX), 5310 (Asia), 5310 (IND)	3029D Power Tech	26/85-7 (R90788)		26/86-22 (RE56302)	26/88-22 (R503808, R515195)	26/6088-8 (R120247)		
5103 (IND), 5103 (USA), 5104, 5203 (IND), 5203 (USA), 5204, 5303 (MEX), 5303 (North Africa), 5303 (South America), 5303 (TUR), 5303 (ZA), 5310 (IND)					26/88-20 (RE46887)	26/6088-20 (51M7045)		
5103 (AUS), 5103 (USA), 5203 (AUS), 5203 (USA), 5303 (AUS), 5303 (EU), 5303 (USA), 5310S, 5403, 5410 (IND), 5503	3029T Power Tech					26/88-7 (T20098, R515346)		
5105, 5205	3029D Power Tech							
5200, 5300 (USA), 5400 (USA), 5400N (USA) (↔167812)	3029D 3029T							
5200, 5300 (USA), 5400 (USA), 5400N (USA) (167813↔) 5300 (EU), 5300N, 5400 (EU), 5400N (EU)								
5210, 5310 (EU), 5310N (EU), 5220	3029D Power Tech					26/88-22 (R116102, R515195)	26/6088-8 (R120247)	
5215, 5310 (USA), 5310N (USA), 5315, 5320, 5320N, 5410 (EU), 5410N	3029T Power Tech							
5610								

## CAPS AND DIPSTICKS TAPONES Y VARILLAS



See page 101 for the photos and dimensions of the parts shown below. / Para las fotos y dimensiones de los artículos mostrados más abajo, ver página 101

Tractors Tractores	Engines Motores	Oil filler cap Tapón aceite	Dipstick Varilla	Sump plug Tapón de carter	Washer Junta tapón de carter
		1	2	3	4
<b>4 cylinder engines / Motores 4 cilindros</b>					
710 2020, 2510	4202D	26/85-7 (T20294, R90788)	26/86-11 (AT21534)	26/88-7 (T20098, R515346)	
2030 (USA)					
1830 & 2030 (DE) (↔229944) 2030 (ES) & 2035 (↔057135) 2120, 2520	4219D				
1830 & 2030 (DE) (229945↔) 2030 (ES) & 2035 (057136↔)					
1640 (DE) & 1840 (DE) 1640 (ES), 1840 (ES)	4239D	26/85-7 (R90788) 1 1/2" - 12UNF  or / o  26/85-23 (R80136) M48 x 2	26/86-23 (AR78192)		26/6088-7 (T13213) Aluminium Aluminio  or / o
2130 (DE ↔229944) 2130 (ES) & 2135 (↔057135) 2130 (USA)		26/85-7 (T20294, R90788)	26/86-11 (AT21534)	26/88-8 (M1746T)	26/6088-8 (R120247) Copper Cobre
2130 (DE 229945↔) 2130 (ES) & 2135 (057136↔)			26/86-23 (AR78192)		
2040, 2040S, 2140	4239D 4239T	26/85-7 (R90788) 1 1/2" - 12UNF  or / o			
2040S, 2140 With increased lift Con aumento del alzamiento		26/85-23 (R80136) M48 x 2	26/86-11 (AT21534)		
2250, 2355, 2450, 2555CS, 2650CS,	4239D	26/85-23 (R80136)			

Part numbers are quoted for reference purposes only.  
 Our parts and accessories are not original.

**"THE RELIABLE SERVICE"**

Las referencias originales tienen un propósito identifica-  
 tivo. Nuestras piezas no son originales

**CAPS AND DIPSTICKS**  
**TAPONES Y VARILLAS**



See page 101 for the photos and dimensions of the parts shown below. / Para las fotos y dimensiones de los artículos mostrados más abajo, ver página 101

Tractors Tractores	Engines Motores	Oil filler cap Tapón aceite	Dipstick Varilla	Sump plug Tapón de carter	Washer Junta tapón de carter	
		1	2	3	4	
<b>4 cylinder engines / Motores 4 cilindros</b>						
2350, 2550, 2750	4239 D & T	26/85-7 (R90788) 1 1/2" - 12UNF	26/86-23 (AR78192)	26/88-8 (M1746T)	26/6088-7 (T13213) Aluminium Aluminio  or / o  26/6088-8 (R120247) Copper Cobre	
2440	4219D	or / o 26/85-23 (R80136) M48 x 2	26/86-11 (AT21534) >594971 5.7L (6 QT)	26/88-7 (T20098, R515346)		
2555TSS, 2650 (ES), 2650F, 2650N, 2650TSS, 2755, 2850, 2855N	4239T	26/85-23 (R80136)	26/86-11 (AT21534)	26/88-8 (M1746T)		
2630, 2640	4276D	26/85-7 (T20294, R90788)	26/86-21 (AT21535)	26/88-7 (T20098, R515346)		
3010, 3020	4270D	-	-	26/88-28 (R26727)		26/6088-28 (A4827R)
3200, 3200X, 3210, 3210X	4039D	-	-	26/88-22 (R116102, R515195)		26/6088-8 (R120247)
3400, 3400X, 3410, 3410X	4039T	-	-			
3300, 3300X, 3310, 3310X	4045D	-	-			
3210, 3210X, 3310, 3310X	4045D Power Tech	-	-			
3410, 3410X	4045T Power Tech	-	-			
5500, 5500N	4039T	26/85-7 (R90788)	26/86-22 (RE56302)			
5403 (BR), 5410 (USA), 5415 (MEX), 5415N, 5420, 5420N, 5425 (MEX), 5425N (MEX), 5603 (BR), 5605, 5615 (MEX), 5615 (TUR), 5625 (MEX)	4045D Power Tech	26/85-24 (RE500005, RE535560)	26/86-24 (RE69243)			
5415 (EU)			-			

## CAPS AND DIPSTICKS TAPONES Y VARILLAS



1



2



3



4

See page 101 for the photos and dimensions of the parts shown below. / Para las fotos y dimensiones de los artículos mostrados más abajo, ver página 101

Tractors Tractores	Engines Motores	Oil filler cap Tapón aceite	Dipstick Varilla	Sump plug Tapón de carter	Washer Junta tapón de carter	
		1	2	3	4	
<b>4 cylinder engines / Motores 4 cilindros</b>						
5510 (EU), 5510N (EU) (↔688038) 5510 (USA), 5510N (USA)	4045T Power Tech	26/85-24 (RE500005, RE535560)	26/86-24 (RE69243)	26/88-22 (R116102, R515195)	26/6088-8 (R120247)	
5510 (EU), 5510N (EU) (688039↔) 5515, 5615 (EU)			-			
5425 (USA), 5425N (USA), 5525, 5525N (xxxxxx↔ with 322mm long dipstick) (xxxxxx↔ con long. de 322mm para la varilla nivel de aceite) 5520, 5520N, 5705, 5715, 5725, 5725N			26/86-24 (RE69243)			
5425 (USA), 5425N (USA), 5525, 5525N (xxxxxx↔ with 267mm long dipstick) (xxxxxx↔ con long. de 267mm para la varilla nivel de aceite) 5603 (USA), 5625 (USA)			26/86-24 (RE69243)			
5620	4045D Power Tech	26/85-23 (R80136)	26/86-25 (RE502740)	26/88-20 (RE46687)	26/6088-20 (51M7045)	
5720, 5820	4045T Power Tech					
6100, 6100SE	4045D		26/86-21 (AT21535)	26/88-7 (R515346) 7/8" - 20UNF  or / o	26/88-22 (R515195) M22 x 1.5	26/6088-8 (R120247)
6200, 6200L, 6200SE, 6300, 6300L, 6300SE	4039T					
6400, 6400L, 6400SE, 6400SP (TP001), 6500, 6500L	4045T					
6010, 6010SE	4045D Power Tech		26/86-21 (AT21535) ↔550948	26/88-22 (R116102, R515195)	26/88-22 (R116102, R515195)	26/6088-8 (R120247)
6110, 6110L, 6110SE, 6210, 6210L, 6210SE, 6310, 6310L, 6310S, 6310SE, 6405 (USA), 6410, 6410L, 6410S, 6410SE, 6510L, 6510S	4045T Power Tech		26/86-25 (RE502740) 550949↔			
6020, 6020SE (799999)	4045D Power Tech		26/86-25 (RE502740)	26/88-20 (RE500611, RE46687)	26/88-20 (RE500611, RE46687)	26/6088-20 (51M7045)

Part numbers are quoted for reference purposes only.  
 Our parts and accessories are not original.

**"THE RELIABLE SERVICE"**

Las referencias originales tienen un propósito identifica-  
 tivo. Nuestras piezas no son originales.

**CAPS AND DIPSTICKS**  
**TAPONES Y VARILLAS**



**1**



**2**



**3**



**4**

See page 101 for the photos and dimensions of the parts shown below. / Para las fotos y dimensiones de los artículos mostrados más abajo, ver página 101

Tractors <i>Tractores</i>	Engines <i>Motores</i>	Oil filler cap <i>Tapón aceite</i>	Dipstick <i>Varilla</i>	Sump plug <i>Tapón de carter</i>	Washer <i>Junta tapón de carter</i>		
		1	2	3	4		
<b>4 cylinder engines / Motores 4 cilindros</b>							
6020, 6020SE (800000↔) 6120, 6120L, 6120SE, 6215 (EU), 6215 (USA 800000↔), 6220, 6220L, 6220SE, 6320SE (↔799999)	4045T Power Tech	26/85-23 (R80136)	26/86-25 (RE502740)	26/88-20 (RE500611, RE46687)	26/6088-20 (51M7045)		
6205, 6405 (BR), 6415 (BR)				26/88-22 (R116102, R515195)	26/6088-8 (R120247)		
6215 (USA ↔799999)				26/88-22 (R515195) M22 x 1.5  or / o	26/6088-8 (R120247) Washer Arandela  or / o		
6400SP (TP054)				26/85-24 (RE500005, RE535560)	26/86-24 (RE69243)	26/88-20 (RE46687) M22 x 1.5	26/6088-20 (51M7045) 'O' Ring Junta torica
6403				26/85-23 (R80136)		26/88-22 (R515195)	26/6088-8 (R120247)
6415 (MEX), 6425 (MEX)				26/85-24 (RE500005, RE535560)	26/86-25 (RE502740)		
6320, 6320L, 6320SE (800000↔), 6415 (USA), 6420, 6420L, 6420S, 6420SE, 6520L	4045H Power Tech	26/85-23 (R80136)		26/88-20 (RE500611, RE46687)	26/6088-20 (51M7045)		
6130, 6225, 6230, 6230PR (USA), 6325, 6330, 6330PR (USA), 6425 (EU), 6430, 6430PR (USA)	4045H Power Tech E	26/85-26 (RE529554)	26/86-26 (RE529421)				
6230PR, 6330PR, 6430PR	4045H Power Tech Plus						



## CAPS AND DIPSTICKS TAPONES Y VARILLAS



1



2



3



4

See page 101 for the photos and dimensions of the parts shown below. / Para las fotos y dimensiones de los artículos mostrados más abajo, ver página 101

Tractors Tractores	Engines Motores	Oil filler cap Tapón aceite	Dipstick Varilla	Sump plug Tapón de carter	Washer Junta tapón de carter
		1	2	3	4
<b>6 cylinder engines / Motores 6 cilindros</b>					
3120	6303D	26/85-7 (T20294, R90788)	26/86-11 (AT21534)	26/88-8 (M1746T)	26/6088-7 (T13213) Aluminium Aluminio  or / o  26/6088-8 (R120247) Copper Cobre
2840	6329D		26/86-21 (AT21535)		
3030 & 3130 (DE) (↔281074) 3130 (ES) & 3135 (↔069991)					
3030 & 3130 (DE) (281075↔) 3130 (ES) & 3135 (069992↔)					
2940, 2950, 3040, 3140, 3340	6359D	26/85-7 (R90788) 1 1/2" - 12UNF  or / o  26/85-23 (R80136) M48 x 2	26/86-11 (AT21534)		
2955, 3050, 3055, 3150, 3155, 3350 (DE), 3350 (ES ↔155860), 3640		26/85-23 (R80136)	26/86-21 (AT21535)	26/88-28 (R26727)	26/6088-28 (A4827R)
3255, 3350 (ES 761166↔), 3640S, 3650	6359T				
4030	6329D	26/85-7 (T20294, R90788)	26/86-21 (AT21535)		
4040 (EU), 4040S, 4050	6359T				
4000, 4010, 4020					
4040 (USA) 4230	6404D				
4240 4440	6468D 6466T				
4240S, 4350	6466T			26/88-29 (R27175)	26/6088-29 (F3171R)
4050 4050E, 4250, 4450 4055, 4255, 4455	6466D 6466T 6076T	26/85-7 (T20294, R90788)	26/86-27 (AR74021)	26/88-29 (R27175) 1 1/16" - 12UN or / o 26/88-28 (R26727) 1" - 14NS High Crop	26/6088-29 (F3171R) O' Ring Junta torica or / o 26/6088-28 (A4827R) High Crop Washer Arandela

Part numbers are quoted for reference purposes only.  
Our parts and accessories are not original.

**"THE RELIABLE SERVICE"**

Las referencias originales tienen un propósito identificativo. Nuestras piezas no son originales

**CAPS AND DIPSTICKS**  
**TAPONES Y VARILLAS**



**1**



**2**



**3**



**4**

See page 101 for the photos and dimensions of the parts shown below. / Para las fotos y dimensiones de los artículos mostrados más abajo, ver página 101

Tractors <i>Tractores</i>	Engines <i>Motores</i>	Oil filler cap <i>Tapón aceite</i>	Dipstick <i>Varilla</i>	Sump plug <i>Tapón de carter</i>	Washer <i>Junta tapón de carter</i>
		1	2	3	4
<b>6 cylinder engines / Motores 6 cilindros</b>					
4320, 4520 4620	6404T 6404A	-	-	26/88-28 (R26727)	26/6088-28 (A4827R)
4430 4630	6404T 6404A	26/85-7 (T20294, R90788)	26/86-27 (AR74021)	26/88-28 (R26727) ⇔ 116895 1" - 14NS	26/6088-28 (A4827R) ⇔ 116895 Washer <i>Arandela</i> 26/6088-29 (F3171R) 116896⇔ 'O' Ring <i>Junta torica</i>
4640, 4840	6466A			26/88-29 (R27175) 116896⇔ 1 1/16" - 12UN	26/6088-29 (F3171R)
4555, 4560 4650, 4850 4755, 4760, 4955, 4960	6076T 6466A 6076A			26/88-29 (R27175)	26/6088-29 (F3171R)
6506	6068D			26/88-29 (R27175) 1 1/16" - 12UN	26/6088-29 (F3171R) 'O' Ring <i>Junta torica</i> or / o
6600	6059T	26/85-23 (R80136)	26/86-21 (AT21535)	26/88-22 (R515195) M22 x 1.5	26/6088-8 (R120247) Washer <i>Arandela</i>
6800, 6900	6068T			26/88-22 (R515195) ⇔ 539441	26/6088-8 (R120247) ⇔ 539441
6510, 6510SE	6068D Power Tech			26/86-21 (AT21535) ⇔ 557342	26/88-20 (RE46687) 539442⇔ Early design <i>Primeros modelos</i>
6605 (USA), 6610, 6610SE, 6810, 6910, 6910S	6068T Power Tech		26/86-25 (RE502740) 557343⇔	26/88-30 (RE523251) Late design <i>Últimos modelos</i>	26/6088-30 (R519742) Late design <i>Últimos modelos</i>

Part numbers are quoted for reference purposes only.  
 Our parts and accessories are not original.

**"THE RELIABLE SERVICE"**

Las referencias originales tienen un propósito identificativo. Nuestras piezas no son originales

## CAPS AND DIPSTICKS TAPONES Y VARILLAS



See page 101 for the photos and dimensions of the parts shown below. / Para las fotos y dimensiones de los artículos mostrados más abajo, ver página 101

Tractors Tractores	Engines Motores	Oil filler cap Tapón aceite	Dipstick Varilla	Sump plug Tapón de carter	Washer Junta tapón de carter
		1	2	3	4
<b>6 cylinder engines / Motores 6 cilindros</b>					
6505, 6920SE 6515, 6520, 6520SE, 6620, 6620SE, 6715 (⇨799999)	6068 D & T Power Tech	26/85-23 (R80136)	26/86-25 (RE502740)	26/88-20 (RE46687) Early design Primeros modelos	26/6088-20 (51M7045) Early design Primeros modelos
6515, 6520, 6520SE, 6620, 6620SE, 6715 (800000⇨) 6615 (USA), 6820, 6920, 6920S	6068H Power Tech			26/88-30 (RE523251) Late design Últimos modelos	26/6088-30 (RE519742) Late design Últimos modelos
6525, 6530, 6630, 6830, 6930	6068H Power Tech E	26/85-26 (RE529554)	26/86-26 (RE529421)	26/88-30 (RE523251)	26/6088-30 (R519742)
6530PR, 6630PR, 6830PR, 6930PR	6068H Power Tech Plus			26/88-20 (RE46687) & 26/88-30 (RE523251)	26/6088-20 (51M7045) & 26/6088-30 (R519742)
6603		26/85-24 (RE500005, RE535560)	26/86-24 (RE69243)	26/88-20 (RE500611, RE46687)	26/6088-20 (51M7045)
6605 (BR), 6615 (BR)	6068T Power Tech	26/85-23 (R80136)	26/86-21 (AT21535) 270mm long	26/88-20 (RE46687) ⇨415373	26/6088-20 (51M7045) ⇨415373
			or / o 26/86-25 (RE502740) 267mm long	26/88-30 (RE523251) 415374⇨	26/6088-30 (R519742) 415374⇨
7020 (⇨335845)	6404A	-	-	26/88-28 (R26727)	26/6088-28 (A4827R)
7020 (335846⇨)		26/85-7 (T20294, R90788)	-		
7200	6059T	26/85-25 (RE43845)	26/86-** (AT21535)	26/88-29 (R27175) 1 1/16" - 12UN or / o 26/88-22 (R515195) M22 x 1.5	26/6088-29 (F3171R) O' Ring Junta torica or / o 26/6088-8 (R120247) Washer Arandela

**CAPS AND DIPSTICKS**  
**TAPONES Y VARILLAS**



See page 101 for the photos and dimensions of the parts shown below./ Para las fotos y dimensiones de los artículos mostrados más abajo, ver página 101

Tractors Tractores	Engines Motores	Oil filler cap Tapón aceite	Dipstick Varilla	Sump plug Tapón de carter	Washer Junta tapón de carter
		1	2	3	4
<b>6 cylinder engines / Motores 6 cilindros</b>					
7400 7600	6068T	26/85-25 (RE43845)	26/86-21 (AT21535)	26/88-29 (R27175) 1 1/16" - 12UN	26/6088-29 (F3171R) "O" Ring Junta torica or / o
7500 (⇔001336)		26/85-23 (R80136)		or / o	
7405 7500 (001337⇔)	6068T Power Tech	26/85-24 (RE500005, RE535560)	26/86-24 (RE66098, RE69243)	26/88-22 (R515195) M22 x 1.5	26/6088-8 (R120247) Washer Arandela
7210, 7410, 7610				26/88-29 (R27175) ⇔702154	26/6088-29 (F3171R) ⇔702154
7510				26/88-20 (RE46687) 800238⇔	26/6088-20 (51M7045) 800238⇔
7505 7515				26/88-20 (RE500611, RE46687)	26/6088-20 (51M7045) ⇔465417
7220, 7320, 7420, 7425, 7520, 7525				26/88-30 (RE523251) 465418⇔	26/6088-30 (R519742) 465418⇔
7130, 7130PR, 7230, 7230PR, 7330, 7330PR, 7430PR (USA)	6068 T & H Power Tech	26/86-21 (AT21535) 270mm long or / o	26/86-25 (RE502740)	26/88-20 (RE500611, RE46687)	26/6088-20 (51M7045)
7505 7515	26/86-25 (RE502740) 267mm long	26/88-20 (RE46687) ⇔465417	26/88-30 (RE523251) 465418⇔	26/6088-20 (51M7045) ⇔465417	26/6088-30 (R519742) 465418⇔
7130PR, 7230PR, 7330PR, 7430PR, 7530PR	6068H Power Tech E	26/86-21 (AT21535) 270mm long or / o	26/86-25 (RE502740)	26/88-20 (RE46687) & 26/88-30 (RE523251)	26/6088-20 (51M7045) & 26/6088-30 (R519742)
7810 (BR)	6068H Power Tech Plus	26/85-26 (RE529554)	26/86-26 (RE529421)	26/88-20 (RE500611, RE46687)	26/6088-20 (51M7045)
	6068T Power Tech	26/85-23 (R80136)	26/86-24 (RE69243)	26/88-20 (RE500611, RE46687)	26/6088-20 (51M7045)

Part numbers are quoted for reference purposes only.  
Our parts and accessories are not original.

**"THE RELIABLE SERVICE"**

Las referencias originales tienen un propósito identificativo. Nuestras piezas no son originales

## CAPS AND DIPSTICKS TAPONES Y VARILLAS



1



2



3



4

See page 101 for the photos and dimensions of the parts shown below. / Para las fotos y dimensiones de los artículos mostrados más abajo, ver página 101

Tractors Tractores	Engines Motores	Oil filler cap Tapón aceite	Dipstick Varilla	Sump plug Tapón de carter	Washer Junta tapón de carter
		1	2	3	4
<b>6 cylinder engines / Motores 6 cilindros</b>					
7715, 7720, 7815, 7820 (EU)	6068H Power Tech	<b>26/85-24</b> (RE500005, RE535560)	<b>26/86-24</b> (RE69243)	<b>26/88-20</b> (RE46687) ↔025000	<b>26/6088-20</b> (51M7045) ↔025000
7630, 7730, 7730, 7830	6068H Power Tech Plus			<b>26/88-30</b> (RE523251) 025001↔	<b>26/6088-30</b> (R519742) 025001↔
7700, 7800	6076T	-	-	<b>26/88-29</b> (R27175)	<b>26/6088-29</b> (F3171R)
7710, 7810 (USA) (↔089999)	6081T Power Tech	-	-		
7710, 7810 (USA) (090000↔)	6081H Power Tech	-	-		
8100, 8200, 8300 (↔009999)	6076H	-	-	<b>26/88-28</b> (R26727)	<b>26/6088-28</b> (A4827R)
8100, 8200, 8300 (010000↔) 8100T, 8110, 8110T, 8120, 8120T, 8200T, 8210, 8210T, 8220, 8220T, 8300T, 8310, 8310T, 8320, 8320T, 8400, 8400T, 8410, 8410T, 8420, 8420T, 8520, 8520T 9100, 9120	6081H Power Tech	-	-		
8430, 8440 (↔161920)	6466A	<b>26/85-7</b> (T20294, R90788)	<b>26/86-27</b> (AR74021)	<b>26/88-29</b> (R27175)	<b>26/6088-29</b> (F3171R)
8430, 8440 (161921↔)				-	-
8450	6076H			-	-
8560, 8570				<b>26/88-28</b> (R26727) 1" - 14NS & <b>26/88-29</b> (R27175) 1 1/16" - 12UN	<b>26/6088-28</b> (A4827R) Washer Arandela <b>26/6088-29</b> (F3171R) O' Ring Junta torica

Part numbers are quoted for reference purposes only.  
Our parts and accessories are not original.

**"THE RELIABLE SERVICE"**

Las referencias originales tienen un propósito identificativo. Nuestras piezas no son originales

**CAPS AND DIPSTICKS**  
**TAPONES Y VARILLAS**

 26/85-7	 26/85-23	 26/85-24	 26/85-25	 26/85-26
	 26/86-11	 26/86-21	 26/86-22	 26/86-23
 26/86-24	 26/86-25	 26/86-26	 26/86-27	 26/88-7 7/8" - 20 UNF
 26/88-8 7/8" - 14UNC	 26/88-20 M22x1.5	 26/88-22 M22x1.5	 26/88-28 1" - 14NS	 26/88-29 1 1/16" - 12UN
 26/88-30 M22x1.5	 26/6088-7 Out Ø Ext. Ø : 30,18 / 1,19" Ø Inn/ Int. : 22,63 / 0,89"	 26/6088-8 Out Ø Ext. Ø : 29,05 / 1,14" Ø Inn/ Int. : 22,46 / 0,88"	 26/6088-20 Out Ø Ext. Ø : 23,70 / 0,93" Ø Inn/ Int. : 19,30 / 0,76"	 26/6088-28 Out Ø Ext. Ø : 32,00 / 1,26" Ø Inn/ Int. : 25,42 / 1,00"
 26/6088-29 Out Ø Ext. Ø : 29,37 / 1,15" Ø Inn/ Int. : 23,47 / 0,92"	 26/6088-30 Out Ø Ext. Ø : 29,56 / 1,16" Ø Inn/ Int. : 20,00 / 0,79"			

N°	OEM	Description	A	B	C	D
26/86-11	AT21534	Dipstick Varilla	333.50mm (13.13")	270.00mm (10.63")	57.91mm (2.28")	37.74mm (1.49")
26/86-21	AT21535		333.50mm (13.13")	270.00mm (10.63")	28.20mm (1.11")	19.00mm (0.75")
26/86-22	RE56302		348.00mm (13.70")	235.00mm (9.25")	47.00mm (1.85")	39.36mm (1.55")
26/86-23	AR78192		333.50mm (13.13")	270.00mm (10.63")	88.14mm (3.47")	61.00mm (2.40")
26/86-24	RE69243		370.00mm (14.57")	322.00mm (12.67")	46.62mm (1.84")	37.20mm (1.46")
26/86-25	RE502740		319.00mm (12.57")	267.00mm (10.51")	28.00mm (1.10")	19.20mm (0.76")
26/86-26	RE529421		305.00mm (12.00")	280.00mm (11.02")	48.00mm (1.89")	35.00mm (1.38")
26/86-27	AR74021		426.00mm (16.77")	378.00mm (14.88")	39.20mm (1.54")	33.70mm (1.33")

Part numbers are quoted for reference purposes only.  
Our parts and accessories are not original.

**"THE RELIABLE SERVICE"**

Las referencias originales tienen un propósito identificativo. Nuestras piezas no son originales

## OIL PUMPS BOMBAS DE ACEITE



1



2



3



4

See page 107-108 for the photos of the parts shown below. / Para las fotos de los artículos mostrados más abajo, ver página 107-108

Tractors Tractores	Engines Motores	Intake Strainer Filtro de aspiración	Oil Pump Bomba de aceite	Drive gear Piñón de bomba	Oil tube Tubo de aceite
		1	2	3	4
<b>3 cylinder engines / Motores 3 cilindros</b>					
310, 510 820, 830 (USA), 920 1020 (EU ⇄085099), 1020 (USA)	3152D				
830 (EU), 930 1020 (EU 085100⇄) 1030, 1035, 1120, 1130, 1520, 1530 2040 (USA ⇄349999)	3164D	<b>26/87-6</b> (AR60701, RE36425) Early type <i>Primeros modelos</i>			<b>26/6191-1</b> (T20050) For pumps up to <i>Para las bombas</i> RE35685
840, 940 1040, 1140, 1350, 1550, 1630, 1635, 1750, 1850, 1850N 2150, 2240, 2255	3179D		<b>26/90-29</b> (RE35685, RE55343)	<b>26/91-10</b> (T20298) Z = 33 Helical Gear <i>Piñón helicoidal</i>	<b>26/6191-2</b> (R113752) For / Para RE55343
1950, 1950N	3179T		<b>26/90-87</b> (RE52020) Pump kit <i>Bombas</i>		<b>26/6191-2 (A)</b> (R113752)
2040 (USA 350000⇄)	3179D	<b>26/87-7</b> (AR59621)			or / o
1445F, 1745F, 1845F 2155		-			<b>26/6191-3 (A)</b> (R115280) For / Para RE52020
2345F, 2355N	3179T				
3100, 3110		-			
5200, 5300, 5300N, 5310 (IND ⇄005108)					
5103 (IND), 5103S (Asia), 5203 (Asia), 5203 (IND), 5303 (MEX), 5310 (Asia), 5310 (IND 005109⇄)	3029D				
5103 (IND), 5103 (USA), 5104, 5203 (IND), 5203 (USA), 5204, 5303 (MEX), 5303 (North Africa), 5303 (South America), 5303 (TUR), 5303 (ZA), 5310 (IND)	3029D Power Tech		<b>26/90-88</b> (RE515746)	<b>26/91-11</b> (R100856, R503794, R126252) Z = 33 Spur Gear <i>Piñón recto</i>	<b>26/6191-3</b> (R115280)
5103 (AUS), 5103 (USA), 5203 (AUS), 5203 (USA), 5303 (AUS), 5303 (EU), 5303 (USA), 5310S, 5403, 5410 (IND), 5503, 5610	3029T Power Tech	-			
5105, 5205, 5210, 5220 (Early models / <i>Primeros modelos</i> ) 5310 (EU), 5310N (EU)	3029D Power Tech		<b>26/90-87</b> (RE52020)		<b>26/6191-2 (A)</b> (R113752)
5215, 5315 5310 (USA), 5310N (USA), 5320, 5320N (Early models / <i>Primeros modelos</i> )	3029T Power Tech				or / o
5105, 5205, 5210, 5220 (Late models / <i>Últimos modelos</i> )	3029D Power Tech		<b>26/90-88</b> (RE515746)		<b>26/6191-3 (A)</b> (R115280)

(A) Oil tubes **26/6191-2** (R113752) and **26/6191-3** (R115280) are included in the **26/90-87** (RE52020) Oil Pump Kit  
Los tubos a aceite **26/6191-2** (R113752) y **26/6191-3** (R115280) están incluidas con el juego de bombas de aceite **26/90-87** (RE52020)

**OIL PUMPS**  
**BOMBAS DE ACEITE**



**1**



**2**



**3**



**4**

See page 107-108 for the photos of the parts shown below./ Para las fotos de los artículos mostrados más abajo, ver página 107-108

Tractors <i>Tractores</i>	Engines <i>Motores</i>	Intake Strainer <i>Filtro de aspiración</i>	Oil Pump <i>Bomba de aceite</i>	Drive gear <i>Piñón de bomba</i>	Oil tube <i>Tubo de aceite</i>
		1	2	3	4
<b>3 cylinder engines / Motores 3 cilindros</b>					
5310 (USA), 5310N (USA), 5320, 5320N (Derniers modèles / Late)	3029T Power Tech	-	26/90-88 (RE515746)	26/91-11 (R100856, R503794, R126252) Z = 33 Spur Gear <i>Piñón recto</i>	26/6191-3 (R115280)
5400, 5400N	3029T	-	26/90-87 (RE52020)		26/6191-2 (A) (R113752)
5410 (EU), 5410N	3029T Power Tech	-			or / o 26/6191-3 (A) (R115280)
<b>4 cylinder engines / Motores 4 cilindros</b>					
710 2020, 2510	4202D	26/87-6 (AR60701, RE36425) Early type <i>Primeros modelos</i>	26/90-29 (RE35685, RE55343)  26/90-87 (RE52020) Pump kit <i>Juego de bombas</i>	26/91-10 (T20298) Z = 33 Helical Gear <i>Piñón helicoidal</i>	26/6191-1 (T20050) For pumps up to <i>Para las bombas</i> RE35685
1830 2030, 2035, 2120, 2440, 2520	4219D				26/6191-2 (R113752) For / Para RE55343
1640, 1840 2040, 2040S 2130, 2135, 2250, 2350, 2355, 2450, 2550 2650CS	4239D				26/6191-2 (A) (R113752)
2140 2650, 2650N, 2650TSS, 2750, 2850	4239T				or / o
2555CS	4239D				26/6191-3 (A) (R115280) For / Para RE52020
2555TSS, 2755, 2855N	4239T				-
2630, 2640	4276D	-	26/90-89 (RE65580) (With housing / <i>Con carcasa</i> AR63037)  26/90-92 (B9092) (With housing / <i>Con carcasa</i> RE15490)	-	-
3200, 3200X, 3210, 3210X	4039D	-	26/90-87 (RE52020)	26/91-11 (R100856/ R126252) Z = 33 Spur Gear <i>Piñón recto</i>	26/6191-2 (A) (R113752)
3300, 3300X, 3310, 3310X	4045D				or / o
3400, 3400X, 3410, 3410X	4039T				26/6191-3 (A) (R115280)
5500, 5500N					-

(A) Oil tubes 26/6191-2 (R113752) and 26/6191-3 (R115280) are included in the 26/90-87 (RE52020) Oil Pump Kit  
 Los tubos a aceite 26/6191-2 (R113752) y 26/6191-3 (R115280) están incluidas con el juego de bombas de aceite 26/90-87 (RE52020)

Part numbers are quoted for reference purposes only.  
 Our parts and accessories are not original.

**"THE RELIABLE SERVICE"**

Las referencias originales tienen un propósito identificativo. Nuestras piezas no son originales



## OIL PUMPS BOMBAS DE ACEITE



1



2



3



4

See page 107-108 for the photos of the parts shown below./ Para las fotos de los artículos mostrados más abajo, ver página 107-108

Tractors Tractores	Engines Motores	Intake Strainer Filtro de aspiración	Oil Pump Bomba de aceite	Drive gear Piñón de bomba	Oil tube Tubo de aceite
		1	2	3	4
<b>4 cylinder engines / Motores 4 cilindros</b>					
3210, 3210X, 3310, 3310X 5403 (BR), 5410 (USA), 5415, 5415N, 5420, 5420N, 5425 (MEX), 5425N (MEX), 5515, 5603 (BR), 5605, 5615 (MEX), 5615 (TUR), 5625 (MEX)	4045D Power Tech	-	26/90-90 (RE504914)	26/91-12 (R120638) Z = 30 Helical Gear Piñón helicoidal	26/6191-4 (R121376)
3410, 3410X 5425 (USA), 5425N (USA), 5510, 5510N, 5515, 5520, 5520N, 5525, 5525N, 5603 (USA), 5615 (EU), 5625 (USA), 5705, 5715, 5725, 5725N	4045T Power Tech	-			
5620	4045D Power Tech	-			
5720, 5820	4045T Power Tech	-			
6100, 6100SE	4045D	-	26/90-87 (RE52020)	26/91-10 (T20298) Z = 33 Helical Gear Piñón helicoidal	26/6191-2 (A) (R113752)
6200, 6200L, 6200SE, 6300, 6300L, 6300SE	4039T	-			or / o
6400, 6400L, 6400SE, 6400SP (TP001), 6500, 6500L	4045T	-			26/6191-3 (A) (R115280)
6010, 6010SE 6020, 6020SE (↔799999)	4045D Power Tech	-	26/90-90 (RE504914)	26/91-12 (R120638) Z = 30 Helical Gear Piñón helicoidal	26/6191-4 (R121376)
6020, 6020SE (800000↔) 6110, 6110L, 6110SE, 6120, 6120L, 6120SE, 6205, 6210, 6210L, 6210SE, 6215, 6220, 6220L, 6220SE, 6310, 6310L, 6310S, 6310SE, 6320, 6320L, 6320SE (↔799999), 6400SP (T054), 6403, 6405, 6410, 6410L, 6410S, 6410SE, 6415 (BR), 6415 (MEX), 6425 (MEX), 6510L, 6510S	4045T Power Tech	-			
6320, 6320L, 6320SE (800000↔), 6415 (USA), 6420, 6420L, 6420S, 6420SE, 6520L	4045H Power Tech	-			
6130, 6225, 6230, 6230PR (USA), 6325, 6330, 6330PR (USA), 6425 (EU), 6430, 6430PR (USA)	4045H Power Tech E	-			
6230PR, 6330PR, 6430PR	4045H Power Tech Plus	-			

A) Oil tubes 26/6191-2 (R113752) and 26/6191-3 (R115280) are included in the 26/90-87 (RE52020) Oil Pump Kit  
Los tubos a aceite 26/6191-2 (R113752) y 26/6191-3 (R115280) están incluidas con el juego de bombas de aceite 26/90-87 (RE52020)

**OIL PUMPS**  
**BOMBAS DE ACEITE**



**1**



**2**



**3**



**4**

See page 107-108 for the photos of the parts shown below. / Para las fotos de los artículos mostrados más abajo, ver página 107-108

Tractors Tractores	Engines Motores	Intake Strainer Filtro de aspiración	Oil Pump Bomba de aceite	Drive gear Piñón de bomba	Oil tube Tubo de aceite
		1	2	3	4
<b>6 cylinder engines / Motores 6 cilindros</b>					
3120	6303D	26/87-7 (AR59621)	26/90-29 (RE35685, RE55343)  26/90-87 (RE52020) Pump kit Juego de bombas	26/91-10 (T20298) Z = 33 Helical Gear Piñón helicoidal	26/6191-1 (T20050) For pumps up to Para las bombas RE35685
2840 3030, 3130, 3135 4030	6329D				26/6191-2 (R113752) For / Para RE55343
2940, 2950, 2955 3040, 3050, 3055, 3140, 3150, 3155, 3340, 3350 (DE), 3350 (ES ⇄ 155860), 3640	6359D				26/6191-2 (A) (R113752) or / o 26/6191-3 (A) (R115280) For / Para RE52020
3255, 3350 (ES 761166⇄), 3640S, 3650					
4040 (EU), 4040S, 4050	6359T	-	26/90-89 (RE65580) (With housing / Con carcasa AR63037)  26/90-92 (B9092) (With housing / Con carcasa RE15490)	-	-
4040 (USA) (Crank driven / Piñón bomba/cigüeñal)	6404D	-	26/90-191 (SE500877, RE60622, RE507076)	-	-
4050 4240 (Crank driven / Piñón bomba/cigüeñal)	6466D	-		-	-
4050E, 4240S, 4250, 4350, 4440 (Crank driven / Piñón bomba/cigüeñal)	6466T	-		-	-
4450 4055, 4255, 4455, 4555, 4560	6076T	-		-	-
4640, 4840 (Crank driven / Piñón bomba/cigüeñal) 4850, 4850 4755, 4760, 4955, 4960	6466A 6076A	-		-	-
6506	6068D	-	26/90-89 (RE65580) (With housing / Con carcasa AR63037)	26/91-10 (T20298) Z = 33 Helical Gear Piñón helicoidal	-
6600 7200	6059T		26/90-92 (B9092) (With housing / Con carcasa RE15490)		-
6800, 6900 7400, 7500 (⇄ 01336), 7600	6068T		-		-

A) Oil tubes 26/6191-2 (R113752) and 26/6191-3 (R115280) are included in the 26/90-87 (RE52020) Oil Pump Kit  
 Los tubos a aceite 26/6191-2 (R113752) y 26/6191-3 (R115280) están incluidas con el juego de bombas de aceite 26/90-87 (RE52020)

## OIL PUMPS BOMBAS DE ACEITE



1



2



3



4

See page 107-108 for the photos of the parts shown below. / Para las fotos de los artículos mostrados más abajo, ver página 107-108

Tractors Tractores	Engines Motores	Intake Strainer Filtro de aspiración	Oil Pump Bomba de aceite	Drive gear Piñón de bomba	Oil tube Tubo de aceite
		1	2	3	4
<b>6 cylinder engines / Motores 6 cilindros</b>					
6505, 6510, 6510SE 6515, 6520, 6520SE (↔799999)	6068D Power Tech	-	-	-	-
6520, 6520SE, 6620, 6620SE, 6715 (↔799999) 6603, 6605, 6610, 6610SE, 6615 (BR), 6810, 6910, 6910S, 6920SE 7210, 7220, 7320, 7405, 7410, 7420, 7425, 7500 (001337↔), 7505, 7510, 7515, 7520, 7525, 7610, 7810 (BR)	6068T Power Tech	-	26/90-90 (RE504914)	26/91-12 (R120638) Z = 30 Helical Gear Piñón helicoidal	26/6191-4 (R121376)
6515, 6520, 6520SE, 6620, 6620SE, 6715 (800000↔), 6615 (USA), 6820, 6920, 6920S 7220, 7320, 7420, 7520	6068H Power Tech	-	-	-	-
7715, 7720, 7815, 7820 (EU)	-	-	-	-	-
6525, 6530, 6630, 6830, 6930 7130, 7130PR, 7230, 7230PR, 7330, 7330PR, 7430PR (USA)	6068H Power Tech E	-	-	-	-
6530PR, 6630PR, 6830PR, 6930PR 7130PR, 7230PR, 7330PR, 7430PR, 7530PR	6068H Power Tech Plus	-	-	-	-
7630, 7730, 7830, 7930	-	-	-	-	-
7710, 7810 (USA) (↔089999)	6081T Power Tech	-	-	-	-
7710, 7810 (USA 090000↔) 7820 (USA), 7920 8100, 8200, 8300 (010000↔) 8100T, 8110, 8110T, 8120, 8120T, 8200T, 8210, 8210T, 8220, 8220T, 8300T, 8310, 8310T, 8320, 8320T, 8400, 8400T, 8410, 8410T, 8420, 8420T, 8520, 8520T 9100, 9120	6081H Power Tech	-	26/90-191 (SE500877, RE60622, RE507076)	-	-
8430, 8440, 8450 (Crank driven / Piñón bomba/cigüeñal)	6486A	-	-	-	-
8560 (↔499999)	6076H	-	-	-	-

Part numbers are quoted for reference purposes only.  
Our parts and accessories are not original.

**"THE RELIABLE SERVICE"**

Las referencias originales tienen un propósito identificativo. Nuestras piezas no son originales

**OIL PUMPS**  
**BOMBAS DE ACEITE**

**Oil pump / Bomba de aceite**



**Oil pump components parts / Piezas para bombas de aceite**



Oil pump <i>Bomba de aceite</i>	Housing <i>Carcasa</i>	Pinion <i>Pliñon con eje</i>	Gear <i>Pliñon</i>	Cover <i>Cuerpo</i>
26/90-29 (RE35685, RE55343)	26/90-29A (AR62979)	26/90-29B (AR62978)	26/90-29C (R54614) Z = 7	26/90-29D (R53382) Early 4 holes Primeros modelos 4 agujeros 26/90-91D (R113751) Later 3 holes Últimos modelos 3 agujeros
26/90-89 (RE65580)	26/90-89A (AR63037) 'O'ring outlet/Salida con tórica	26/90-89B (AR63038, AR85788)	26/90-89C (R54631, R66177) Z = 7	26/90-89D (R54632)
26/90-92 (B9092)	26/90-92A (RE15490) Adapter outlet / Salida adaptador.			

Part numbers are quoted for reference purposes only.  
 Our parts and accessories are not original.

**"THE RELIABLE SERVICE"**

Las referencias originales tienen un propósito identificativo. Nuestras piezas no son originales

## INTAKE STRAINER AND OIL TUBE *FILTRO DE ASPIRACIÓN Y TUBO DE ACEITE*

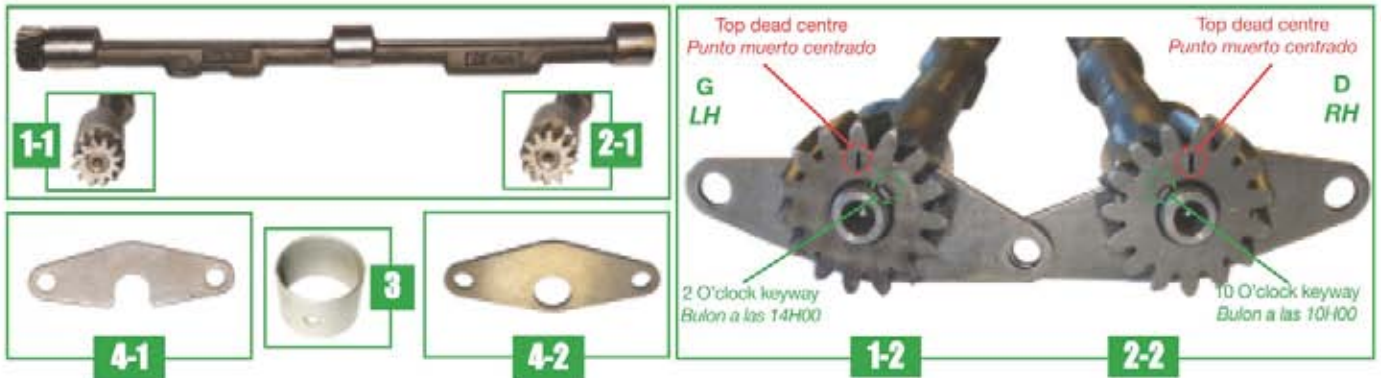
### Intake strainer / Filtro de aspiración



### Oil tube / Tubo de aceite



**BALANCER SHAFT**  
**EJE DE EQUILIBRADOR**



Tractors <i>Tractores</i>	Engine <i>Motores</i>	Balancer Shaft LH <i>Eje izquierdo</i>	Balancer Shaft RH <i>Eje derecho</i>	Bush standard <i>Casqu. estándar</i>	Bush + 2 mm (0.078") <i>Casqu. + 2 mm (0.078")</i>	Plate <i>Placa</i>
		1	2	3	3	4
<b>4 cylinder engines / Motores 4 cilindros</b>						
710 2020, 2510	4202D					<b>26/6095-1</b> (T20193) Early design <i>Primeros modelos</i> 4-1
1830, 2030, 2035 2120, 2440, 2520	4219D	<b>26/93-4</b> (AT18155, AR61352) 1-1	<b>26/93-3</b> (AT18156, AR61351) 2-1			<b>26/6095-3</b> (R88112) Late design <i>Últimos modelos</i> 4-2
1640, 1840 2040 (EU), 2040S, 2130, 2135 2250, 2350, 2355, 2450, 2550, 2555CS, 2650CS	4239D					
2140 2555TSS, 2650 (ES), 2650F, 2650N, 2650TSS, 2750, 2755, 2850, 2855N (⇒746396) (Early design, shaft requires weights <i>Primeros modelos, eje necesita un contrapesos</i> )		<b>26/93-6</b> (AR69711) 1-2	<b>26/93-5</b> (AR69710) 2-2	<b>26/6094-1</b> (T20283, R57160)		
2140 2555TSS, 2650 (ES), 2650F, 2650N, 2650TSS, 2750, 2755, 2850, 2855N (746397⇔) (Late design, shaft incorporates weights <i>Últimos modelos, contrapesos incorporados</i> )	4239T	-	-		<b>26/6094-4</b> (R91708)	<b>26/6095-3</b> (R88112) 4-2
2630, 2640	4276D	<b>26/93-6</b> (AR69711) 1-2	<b>26/93-5</b> (AR69710) 2-2			
3200, 3200X, 3210, 3210X	4039D	-	-			
3400, 3400X, 3410, 3410X 5500, 5500N	4039T	-	-	<b>26/6094-3</b> (R119210)		
3300, 3300X, 3310, 3310X	4045D	-	-			

Part numbers are quoted for reference purposes only.  
 Our parts and accessories are not original.

**"THE RELIABLE SERVICE"**

Las referencias originales tienen un propósito identificativo. Nuestras piezas no son originales

## BALANCER SHAFT EJE DE EQUILIBRADOR



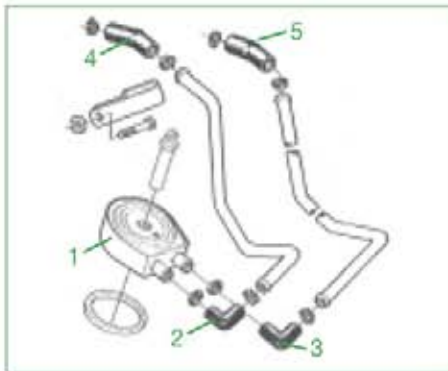
Tractors Tractores	Engine Motores	Balancer Shaft LH Eje izquierdo	Balancer Shaft RH Eje derecho	Bush standard Casqu. estándar	Bush + 2 mm (0.078") Casqu. + 2 mm (0.078")	Plate Placa
		1	2		3	4
<b>4 cylinder engines / Motores 4 cilindros</b>						
3210, 3210X, 3310, 3310X 5403 (BR), 5410 (USA), 5415, 5415N, 5420, 5420N, 5425 (MEX), 5425N (MEX), 5603 (BR), 5605, 5615 (MEX), 5615 (TUR), 5620, 5625 (MEX)	4045D Power Tech	26/93-8 (RE500449) 1-2	26/93-7 (RE500448) 2-2	26/6094-2 (R115299)	-	26/6095-2 (R116078) 4-2
3410, 3410X 5425 (USA), 5425N (USA), 5510, 5510N, 5515, 5520, 5520N, 5525, 5525N, 5603 (USA), 5615 (EU), 5625 (USA), 5705, 5715, 5720, 5725, 5725N, 5820	4045T Power Tech					
6200, 6200L, 6200SE, 6300, 6300L, 6300SE	4039T	-	-			
6100, 6100SE	4045D	26/93-6 (AR69711) 1-2	26/93-5 (AR69710) 2-2	26/6094-3 (R119210)	26/6094-4 (R91708)	26/6095-3 (R88112) 4-2
6400, 6400L, 6400SE, 6400SP (TP001), 6500, 6500L	4045T					
6010, 6010SE, 6020, 6020SE (⇨799999)	4045D Power Tech					
6020, 6020SE (800000⇨) 6110, 6110L, 6110SE, 6120, 6120L, 6120SE, 6205, 6210, 6210L, 6210SE, 6215, 6220, 6220L, 6220SE, 6310, 6310L, 6310S, 6310SE, 6320SE (⇨799999), 6400SP (TP054), 6403, 6405, 6410, 6410L, 6410S, 6410SE, 6415 (BR), 6415 (MEX), 6425 (MEX), 6510L, 6510S	4045T Power Tech	26/93-8 (RE500449) 1-2	26/93-7 (RE500448) 2-2	26/6094-2 (R115299)	-	26/6095-2 (R116078) 4-2
6320, 6320L, 6320SE (800000⇨), 6415 (USA), 6420, 6420L, 6420S, 6420SE, 6520L	4045H Power Tech					
6130, 6225, 6230, 6230PR (USA), 6325, 6330, 6330PR (USA), 6425 (EU), 6430, 6430PR (USA)	4045H Power Tech E					
6230PR, 6330PR, 6430PR	4045H Power Tech Plus					

Part numbers are quoted for reference purposes only.  
Our parts and accessories are not original.

**"THE RELIABLE SERVICE"**

Las referencias originales tienen un propósito identifica-  
tivo. Nuestras piezas no son originales

## ENGINE OIL COOLERS - FILTER MOUNTED ENFRIADOR SOPORTE DEL FILTRO DE ACEITE MOTOR



See page 125 for the photos and dimensions of the parts shown below. / Para las fotos y dimensiones de los artículos mostrados más abajo, ver página 125.

Tractors Tractores	Engines Motores	Oil cooler Refrige. aceite	Oil cooler hose Manguito refrige. de aceite		Water pump hose Manguito para bombas de agua		
		1	2	3	4	5	
<b>3 cylinder engines / Motores 3 cilindros</b>							
1040, 1140 (+462079) 8 plate basic capacity / Capacidad básica 8 laminas (AR64415, AR98852)	3179D	26/6097-1 (AR64415, AR98852, RE10869, RE14448, RE31929)	26/6098-1 (T22942)	26/6098-4 (R55127)	(A) Cut from Cortar del 26/6098-16 (R83063)	(A) Cut from Cortar del 26/6098-16 (R83063)	
1040, 1140 (462080⇄704045) 8 plate basic capacity / Capacidad básica 8 laminas (AR64415, AR98852, RE10869)			26/6098-4 (R55127)			26/6098-4 (R55127)	
1040, 1140 (+704045) 10 plate basic capacity / Capacidad básica 10 laminas (RE14448, RE31929)			26/6098-6 (R79691)	26/6098-6 (R79691)			
1040, 1140 (704046⇄) 4 plate basic capacity / Capacidad básica 4 laminas (RE24880)			26/6098-5 (R54829)	26/6098-5 (R54829)	26/6098-5 (R54829)	(A) Cut from Cortar del 26/6098-19 (R83064)	
1040, 1140 6 plate increased capacity / Capacidad reforzada 10 laminas (RE38077, RE61767)			26/6097-9 (RE24880, RE38077, RE61767)	26/6098-3 (R99254)	26/6098-3 (R99254)	(A) Cut from Cortar del 26/6098-16 (R83063) 16mm dia.	(A) Cut from Cortar del 26/6098-16 (R83063) 16mm dia.
1040, 1140 8 plate increased capacity / Capacidad reforzada 10 laminas (RE38078, RE61769)		26/6097-10 (RE38078, RE61769)	26/6098-18 (R99260) 16 x 19mm dia. Diam. 16 x 19mm			26/6098-18 (R99260) 16 x 19mm dia. Diam. 16 x 19mm	
1630, 1635 8 plate basic capacity / Capacidad básica 8 laminas (AR64415, RE10869)			26/6097-1 (AR64415, RE10869, RE31929)	26/6098-4 (R55127)	26/6098-4 (R55127)	26/6098-1 (T22942)	26/6098-2 (R48989)
1630, 1635 10 plate basic capacity / Capacidad básica 10 laminas RE31929)		26/6098-6 (R79691)	26/6098-6 (R79691)				

26/6098-16 5/8" (16,0mm) dia. x 1 metre long / 26/6098-16 16,0mm (5/8") dia. x 1 metro de longitud  
26/6098-19 3/4" (19,0mm) dia. x 1 metre long / 26/6098-19 19,0mm (3/4") dia. x 1 metro de longitud

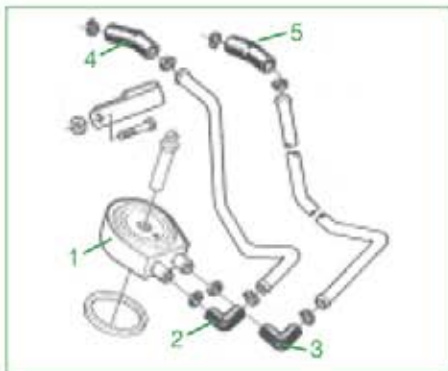
Part numbers are quoted for reference purposes only.  
Our parts and accessories are not original.

**"THE RELIABLE SERVICE"**

Las referencias originales tienen un propósito identificativo. Nuestras piezas no son originales.



## ENGINE OIL COOLERS - FILTER MOUNTED ENFRIADOR SOPORTE DEL FILTRO DE ACEITE MOTOR

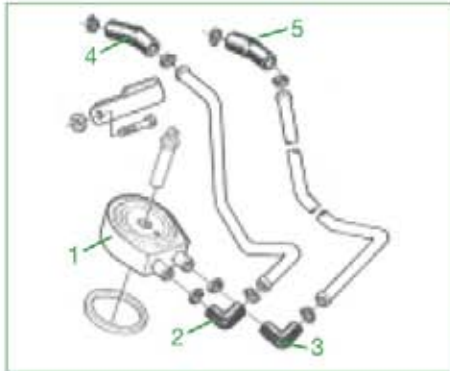


See page 125 for the photos and dimensions of the parts shown below. / Para las fotos y dimensiones de los artículos mostrados más abajo, ver página 125.

Tractors Tractores	Engines Motores	Oil cooler	Oil cooler hose		Water pump hose	
		Refrige. aceite	Manguito refrige. de aceite		Manguito para bombas de agua	
		1	2	3	4	5
<b>3 cylinder engines / Motores 3 cilindros</b>						
1630, 1635 10 plate basic capacity conversion (RE31929) With AR97708 water pump Capacidad reforzada 10 laminas (RE31929) con bomba de agua AR97708	3179D	26/6097-1 (AR64415, RE10869, RE31929)	26/6098-6 (R79691)	26/6098-6 (R79691)	(A) Cut from Cortar del 26/6098-16 (R83063)	(A) Cut from Cortar del 26/6098-16 (R83063)
1745F, 1845F (⇔794193) 4 plate basic capacity / Capacidad básica 4 laminas (RE24860)		26/6098-5 (R54829)	26/6098-5 (R54829)	(A) Cut from Cortar del 26/6098-19 (R83064)	(A) Cut from Cortar del 26/6098-19 (R83064)	
1745F, 1845F (⇔794193) 6 plate increased capacity / Capacidad reforzada 6 laminas (RE38077, RE61767)		26/6098-6 (R79691)	26/6098-6 (R79691)	(A) Cut from Cortar del 26/6098-16 (R83063)	(A) Cut from Cortar del 26/6098-16 (R83063)	
1745F, 1845F (794194⇔) 6 plate increased capacity / Capacidad reforzada 6 laminas (RE38077, RE61767)		26/6098-3 (R99254)	26/6098-3 (R99254)	(A) Cut from Cortar del 26/6098-19 (R83064)	(A) Cut from Cortar del 26/6098-19 (R83064)	
1750 (⇔751243) 1750V & 1850V (766422⇔791493) 1850 & 1850N (3179DL001⇔751023) 1850 & 1850N (3179DL016⇔743472) 1850 (ES ⇔155860) 2155CS (⇔751023) 2155TSS (⇔743474) 4 plate basic capacity / Capacidad básica 4 laminas (RE24860)		26/6097-9 (RE24860, RE38077, RE61767)	26/6098-5 (R54829)	26/6098-5 (R54829)	(A) Cut from Cortar del 26/6098-19 (R83064)	(A) Cut from Cortar del 26/6098-19 (R83064)
1750 (751244⇔794193), 1850 & 1850N (3179DL001 751024⇔791493), 1850 & 1850N (3179DL016 743473⇔791493), 1850 & 1850F (ES 765518⇔794193) 2155CS (751024⇔794193) 2155TSS (743475⇔794193) 4 plate basic capacity / Capacidad básica 4 laminas (RE24860)		26/6098-5 (R54829)	26/6098-5 (R54829)	(A) Cut from Cortar del 26/6098-19 (R83064)	(A) Cut from Cortar del 26/6098-19 (R83064)	

26/6098-16 5/8" (16,0mm) dia. x 1 metre long / 26/6098-16 16,0mm (5/8") dia. x 1 metro de longitud  
26/6098-19 3/4" (19,0mm) dia. x 1 metre long / 26/6098-19 19,0mm (3/4") dia. x 1 metro de longitud

## ENGINE OIL COOLERS - FILTER MOUNTED ENFRIADOR - SOPORTE DEL FILTRO DE ACEITE MOTOR



See page 125 for the photos and dimensions of the parts shown below. / Para las fotos y dimensiones de los artículos mostrados más abajo, ver página 125.

Tractors Tractores	Engines Motores	Oil cooler Refrig. aceite	Oil cooler hose Manguito refrige. de aceite		Water pump hose Manguito para bombas de agua	
		1	2	3	4	5
<b>3 cylinder engines / Motores 3 cilindros</b>						
1750 (⇔751243) 1750V & 1850V (766422⇔791493) 1850 & 1850N (3179DL001⇔751023) 1850 & 1850N (3179DL016 ⇔743472) 1850 (ES⇔155860) 2155CS (⇔751023) 2155TSS (⇔743474) 6 plate increased capacity / 6 laminas capacidad incrementada (RE38077, RE61767)			26/6098-6 (R79691)	26/6098-6 (R79691)	26/6098-5 (R54829)	(A) Cut from Cortar del 26/6098-19 (R83064)
1750 (751244⇔794193), 1850 & 1850N (3179DL001 751024⇔791493), 1850 & 1850N (3179DL016 743473⇔791493), 1850 & 1850F (ES 765518⇔794193) 2155CS (751024⇔794193) 2155TSS (743475⇔794193) 6 plate increased capacity / 6 laminas capacidad incrementada (RE38077, RE61767)	3179D				(A) Cut from Cortar del 26/6098-19 (R83064)	
1750 (794194⇔) 1750V & 1850V (794194⇔) 1850 & 1850N (794194) 1850 & 1850F (ES 794194⇔) 2155 (794194⇔) 6 plate increased capacity / 6 laminas capacidad incrementada (RE38077, RE61767)		26/6097-9 (RE24860, RE38077, RE61767)	26/6098-3 (R99254)	26/6098-3 (R99254)	(A) Cut from Cortar del 26/6098-16 (R83063)	(A) Cut from Cortar del 26/6098-16 (R83063)
1950 & 1950N (EU⇔794193) 1950 & 1950F (ES 765518⇔794193) 2345F (⇔791493) 2355N 4 plate basic capacity / 4 laminas capacidad básica (RE24860)			26/6098-5 (R54829)	26/6098-5 (R54829)		(A) Cut from Cortar del 26/6098-19 (R83064)
1950 & 1950N (EU⇔794193) 1950 & 1950F (ES 765518⇔794193) 2345F (⇔794193) 2355N 6 plate increased capacity / 6 laminas capacidad incrementada (RE38077, RE61767)	3179T		26/6098-6 (R79691)	26/6098-6 (R79691)		(A) Cut from Cortar del 26/6098-19 (R83064)

(A) 26/6098-16 5/8" (16.0mm) dia. x 1 metre long / 26/6098-16 16,0mm (5/8") dia. x 1 metro de longitud  
26/6098-19 3/4" (19.0mm) dia. x 1 metre long / 26/6098-19 19,0mm (3/4") dia. x 1 metro de longitud

## ENGINE OIL COOLERS - FILTER MOUNTED ENFRIADOR - SOPORTE DEL FILTRO DE ACEITE MOTOR

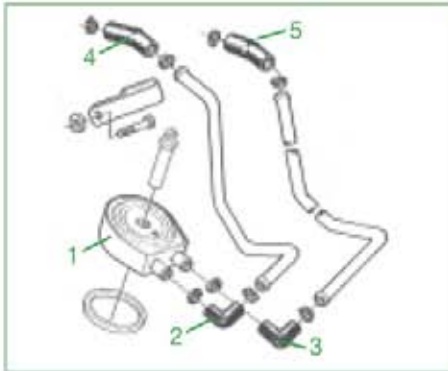


See page 125 for the photos and dimensions of the parts shown below. / Para las fotos y dimensiones de los artículos mostrados más abajo, ver página 125.

Tractors Tractores	Engines Motores	Oil cooler	Oil cooler hose		Water pump hose	
		Refrig. aceite	Manguito refrig. de aceite	2	3	Manguito para bombas de agua
<b>3 cylinder engines / Motores 3 cilindros</b>						
1950, 1950N (EU 794194⇔) 1950 & 1950F (794194⇔) 2345F (794194⇔) 2355N 6 plate increased capacity / 6 laminas capacidad incrementada (RE38077, RE61767)	3179T	26/6097-9 (RE24860, RE38077, RE61767)	26/6098-3 (R99254)	26/6098-3 (R99254)	(A) Cut from Cortar del 26/6098-16 (R83063)	
2040 (USA 350000⇔794193) 8 plate basic capacity / 8 laminas capacidad básica AR64415, AR98852, RE10869		26/6097-1 (AR64415, AR98852, RE10869, RE31929)	26/6098-4 (R55127)	26/6098-4 (R55127)	(A) Cut from Cortar del 26/6098-16 (R83063)	
2040 & 2240 (USA 350000⇔794193) 10 plate basic capacity/10 laminas capacidad básica (RE31929)			26/6098-7 (R99802)	26/6098-7 (R99802)		
2040 & 2240 (794194⇔) 6 plate increased capacity / 6 laminas capacidad incrementada (RE38077, RE61767)			26/6098-4 (R55127)	26/6098-4 (R55127)		
2150, 2255 (⇔704045) 8 plate basic capacity / 8 laminas capacidad básica (AR64415, AR98852, RE10869)	3179D	26/6097-1 (AR64415, AR98852, RE10869, RE31929)	26/6098-6 (R79691)	26/6098-6 (R79691)	(A) Cut from Cortar del 26/6098-19 (R83064)	
2150, 2255 (⇔704045) 10 plate basic capacity/10 laminas capacidad básica (RE31929)	26/6098-5 (R54829)		26/6098-5 (R54829)			
2150, 2255 (704046⇔) 4 plate basic capacity / 4 laminas capacidad básica (RE24860)	26/6098-6 (R79691)		26/6098-6 (R79691)			
2150, 2255 (704046⇔) 6 plate increased capacity / 6 laminas capacidad incrementada (RE61767)		26/6097-9 (RE24860, RE61767)	26/6098-5 (R54829)	26/6098-5 (R54829)	(A) Cut from Cortar del 26/6098-19 (R83064)	

(A) 26/6098-16 5/8" (16.0mm) dia. x 1 metre long / 26/6098-16 16,0mm (5/8") dia. x 1 metro de longitud  
26/6098-19 3/4" (19.0mm) dia. x 1 metre long / 26/6098-19 19,0mm (3/4") dia. x 1 metro de longitud

## ENGINE OIL COOLERS - FILTER MOUNTED ENFRIADOR - SOPORTE DEL FILTRO DE ACEITE MOTOR

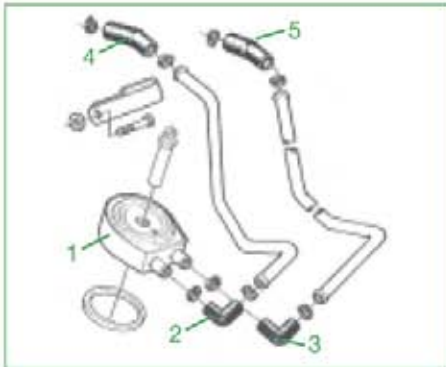


See page 125 for the photos and dimensions of the parts shown below. / Para las fotos y dimensiones de los artículos mostrados más abajo, ver página 125.

Tractors Tractores	Engines Motores	Oil cooler Refrig. aceite	Oil cooler hose Manguito refrig. de aceite		Water pump hose Manguito para bombas de agua	
		1	2	3	4	5
<b>3 cylinder engines / Motores 3 cilindros</b>						
3100, 3110	3029D	26/6097-9 (RE61767)				
5300, 5300N 5400, 5400N	3029D 3029T					
5103 (IND), 5103 (USA↔140838), 5104, 5203 (Asia), 5203 (IND), 5203 (USA↔140336), 5203S (IND), 5204, 5303 (TUR), 5303 (North Africa), 5303 (MEX), 5303 (South America), 5303 (ZA), 5310 (Asia), 5310 (IND)	3029D & 3029D Power Tech	-	26/6098-3 (R99254)	26/6098-3 (R99254)	(A) Cut from Cortar del 26/6098-16 (R83063)	(A) Cut from Cortar del 26/6098-16 (R83063)
5103 (AUS), 5103 (USA 106597↔), 5203 (AUS), 5203 (USA 106478↔), 5205, 5210, 5215, 5303 (AUS), 5303 (EU), 5303 (USA), 5310 (USA), 5310N (USA), 5310S, 5315, 5320, 5320N, 5403, 5410 (EU), 5410 (IND), 5410N, 5503 (EU), 5610 (Asia), 5610 (IND)	3029 D & T Power Tech	26/6097-9 (RE506410, RE61767)				
5503 (TUR)	3029T Power Tech	-				
<b>4 cylinder engines / Motores 4 cilindros</b>						
2030 (DE 197639↔), 2130 (DE 115335↔) 2030 (ES), 2030OU, 2035, 2035EF, 2130 (ES), 2135 (↔062674) With AR67607 oil cooler Con refrigerador de aceite AR67607	4219D 4239D	-	26/6098-1 (T22942)	26/6098-1 (T22942)	26/6098-2 (R48989)	26/6098-2 (R48989)
2030 (ES), 2030OU, 2035, 2035EF, 2130 (ES), 2135 (062675↔) 8 plate basic capacity / 8 laminas capacidad básica (AR64415)		26/6097-1 (AR64415, RE31929)	26/6098-4 (R55127)	26/6098-4 (R55127)	26/6098-1 (T22942)	
2030 (ES), 2030OU, 2035, 2035EF, 2130 (ES), 2135 (062675↔) 10 plate basic capacity/10 laminas capacidad básica (RE31929)		26/6098-6 (R79691)	26/6098-6 (R79691)			
2030 (DE), 2130 (DE) 6 plate increased capacity / 6 laminas capacidad incrementada (RE38077, RE61767)		26/6097-9 (RE38077, RE61767)	(A) Cut from Cortar del 26/6098-16 (R83063)	(A) Cut from Cortar del 26/6098-16 (R83063)	26/6098-2 (R48989)	

(A) 26/6098-16 5/8" (16.0mm) dia. x 1 metre long / 26/6098-16 16,0mm (5/8") dia. x 1 metro de longitud  
26/6098-19 3/4" (19.0mm) dia. x 1 metre long / 26/6098-19 19,0mm (3/4") dia. x 1 metro de longitud

## ENGINE OIL COOLERS - FILTER MOUNTED ENFRIADOR - SOPORTE DEL FILTRO DE ACEITE MOTOR

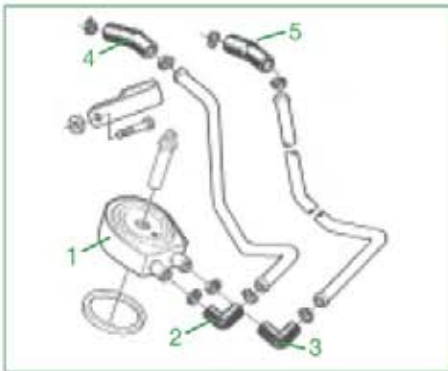


See page 125 for the photos and dimensions of the parts shown below. / Para las fotos y dimensiones de los artículos mostrados más abajo, ver página 125.

Tractors Tractores	Engines Motores	Oil cooler Refrig. aceite	Oil cooler hose Manguito refriger. de aceite		Water pump hose Manguito para bombas de agua	
		1	2	3	4	5
<b>4 cylinder engines / Motores 4 cilindros</b>						
2130 (DE) 10 plate basic capacity conversion (RE31929) With AR85250 or AR97708 water pumps 10 laminas capacidad conversion (RE31929) Con bombas de agua AR85250 ou AR97708	4239D	26/6097-1 (RE31929)	26/6098-6 (R79691)	26/6098-6 (R79691)		(A) Cut from Cortar del 26/6098-16 (R83063)
1640, 1840, 2040, 2040S, 2140 (↔462079) 8 plate basic capacity / 8 laminas capacidad básica (AR64415, AR98852, RE10869)			26/6098-1 (T22942)		(A) Cut from Cortar del 26/6098-16 (R83063)	
1640, 1840, 2040, 2040S (462080↔) 2140 (462080↔594282) 8 plate basic capacity / 8 laminas capacidad básica (AR64415, AR98852, RE10869)	4239 D & T	26/6097-1 (AR64415, AR98852, RE10869, RE14448, RE31929)	26/6098-4 (R55127)	26/6098-4 (R55127)		
1640, 1840, 2040, 2040S (462080↔) 2140 (462080↔594282) 10 plate basic capacity/10 laminas capacidad básica (RE14448, RE31929)			26/6098-6 (R79691)	26/6098-6 (R79691)		
2140 (594283↔) 8 plate basic capacity / 8 laminas capacidad básica (RE14448, RE31929)	4239T	26/6097-1 (RE14448, RE31929)	26/6098-5 (R54829)	26/6098-5 (R54829)	26/6098-5 (R54829)	(A) Cut from Cortar del 26/6098-19 (R83064)
2250, 2355, 2450, 2650CS (↔794193) 8 plate basic capacity / 8 laminas capacidad básica (AR98852, RE10869)		26/6097-1 (AR98852, RE10869, RE31929)	26/6098-4 (R55127)	26/6098-4 (R55127)		26/6098-4 (R55127)
2250, 2355, 2450, 2650CS (↔794193) 10 plate basic capacity/10 laminas capacidad básica (RE31929)	4239D		26/6098-6 (R79691)	26/6098-6 (R79691)	(A) Cut from Cortar del 26/6098-16 (R83063)	
2250, 2355, 2450, 2650CS (794194↔) 2250F, 2555CS 6 plate increased capacity / 6 laminas capacidad incrementada (RE38077, RE61767)		26/6097-9 (RE38077, RE61767)	26/6098-3 (R99254)	26/6098-3 (R99254)		(A) Cut from Cortar del 26/6098-16 (R83063)

(A) 26/6098-16 5/8" (16.0mm) dia. x 1 metre long / 26/6098-16 16,0mm (5/8") dia. x 1 metro de longitud  
26/6098-19 3/4" (19.0mm) dia. x 1 metre long / 26/6098-19 19,0mm (3/4") dia. x 1 metro de longitud

## ENGINE OIL COOLERS - FILTER MOUNTED ENFRIADOR - SOPORTE DEL FILTRO DE ACEITE MOTOR

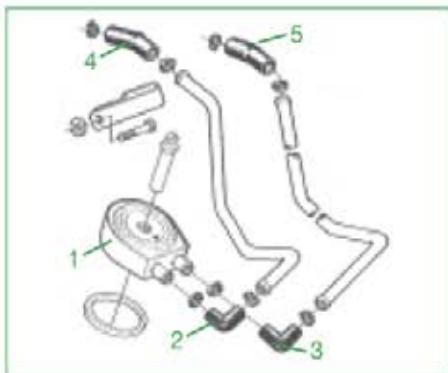


See page 125 for the photos and dimensions of the parts shown below. / Para las fotos y dimensiones de los artículos mostrados más abajo, ver página 125.

Tractors Tractores	Engines Motores	Oil cooler	Oil cooler hose		Water pump hose	
		Refrig. aceite	Manguito refrig. de aceite	2	3	Manguito para bombas de agua
<b>4 cylinder engines / Motores 4 cilindros</b>						
2350, 2550 2750 (⇔594282) 8 plate basic capacity / 8 laminas capacidad básica (AR64415, AR98852, RE10869)	4239 D & T	26/6097-1 (AR64415, AR98852, RE10869, RE14448, RE31929)	26/6098-4 (R55127)	26/6098-4 (R55127)	(A) Cut from Cortar del 26/6098-16 (R83063)	26/6098-4 (R55127)
2350, 2550 2750 (⇔594282) 10 plate basic capacity/10 laminas capacidad básica (RE14448, RE31929)			26/6098-6 (R79691)	26/6098-6 (R79691)		
2750 (594283⇔) 2555TSS, 2650N, 2650TSS, 2755, 2850, 2855N (⇔795106) 10 plate basic capacity/10 laminas capacidad básica (RE14448, RE31929)	4239T	26/6097-1 (RE14448, RE31929)	26/6098-5 (R54829)	26/6098-5 (R54829)	26/6098-5 (R54829)	(A) Cut from Cortar del 26/6098-19 (R83064)
2555TSS, 2650N, 2650TSS, 2755, 2850, 2855N (795107⇔) 8 plate increased capacity / 8 laminas capacidad Incrementada (RE38078, RE61769)			26/6097-10 (RE38078, RE61769)			
3200, 3200X, 3300, 3300X (⇔189845) 6 plates / 6 laminas capacidad básica	4039D 4045D	26/6097-9 (RE61767)	26/6098-3 (R99254)	26/6098-3 (R99254)	(A) Cut from Cortar del 26/6098-16 (R83063)	(A) Cut from Cortar del 26/6098-16 (R83063)
3200, 3200X, 3300, 3300X (189846⇔) 3210, 3210X, 3310, 3310X, 3400, 3400X, 3410, 3410X 8 plates / 6 laminas capacidad básica	4039D 4039T 4045D	26/6097-10 (RE61769)				
5500, 5500N	4039T	26/6097-9 (RE61767)	26/6098-8 (R134209)	26/6098-8 (R134209)		
6100, 6100SE	4045D	26/6097-10 (RE38078, RE61769)	26/6098-9 (R114098)	26/6098-10 (R114099)		
6200, 6200L, 6300, 6300L (⇔221092)	4039T					

(A) 26/6098-16 5/8" (16.0mm) dia. x 1 metre long / 26/6098-16 16,0mm (5/8") dia. x 1 metro de longitud  
26/6098-19 3/4" (19.0mm) dia. x 1 metre long / 26/6098-19 19,0mm (3/4") dia. x 1 metro de longitud

## ENGINE OIL COOLERS - FILTER MOUNTED ENFRIADOR - SOPORTE DEL FILTRO DE ACEITE MOTOR

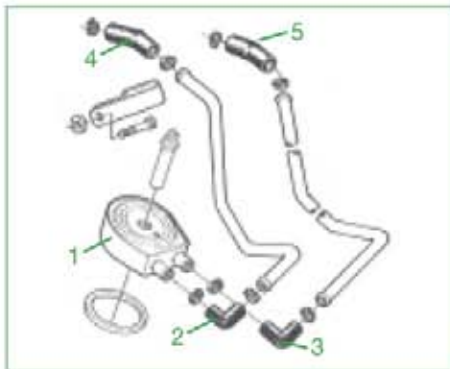


See page 125 for the photos and dimensions of the parts shown below. / Para las fotos y dimensiones de los artículos mostrados más abajo, ver página 125.

Tractors Tractores	Engines Motores	Oil cooler Refrig. aceite	Oil cooler hose Manguito refrig. de aceite		Water pump hose Manguito para bombas de agua		
		1	2	3	4	5	
<b>4 cylinder engines / Motores 4 cilindros</b>							
6200, 6200L, 6300, 6300L (221093⇔) 6200SE, 6300SE	4039T	26/6097-10 (RE38078, RE61769)	26/6098-11 (R128839)	26/6098-12 (R128838)	-	-	
6400, 6400L, 6400SE, 6400SP (TP001), 6500, 6500L	4045T		26/6098-9 (R114098)	26/6098-10 (R114099)	-	-	
<b>6 cylinder engines / Motores 6 cilindros</b>							
2940 (⇔462079) 8 plate basic capacity / 8 laminas capacidad básica (AR64415, RE10869)	6359D	26/6097-1 (AR64415, RE10869, RE31929)	26/6098-4 (R55127)	26/6098-4 (R55127)	(A) Cut from Cortar del 26/6098-16 (R83063)	26/6098-4 (R55127)	
2940 (⇔462079) 10 plate basic capacity/10 laminas capacidad básica (RE31929)			26/6098-7 (R99802)	26/6098-7 (R99802)			
2940 (462080⇔794193) 8 plate basic capacity / 8 laminas capacidad básica (AR98852)		26/6097-1 (AR98852, RE31929)	26/6098-4 (R55127)	26/6098-4 (R55127)			
2940 (462080⇔794193) 10 plate basic capacity/10 laminas capacidad básica (RE31929)			26/6098-6 (R79691)	26/6098-6 (R79691)			
2940 (794194⇔) 6 plate increased capacity / 6 laminas capacidad incrementada (RE38077, RE61767)		26/6097-9 (RE38077, RE61767)	26/6098-4 (R55127)	26/6098-4 (R55127)			(A) Cut from Cortar del 26/6098-16 (R83063)
2950 8 plate basic capacity / 8 laminas capacidad básica (AR64415, AR98852, RE10869)		26/6097-1 (AR64415, AR98852, RE10869, RE31929)	26/6098-6 (R79691)	26/6098-6 (R79691)			26/6098-4 (R55127)
2950 10 plate basic capacity/10 laminas capacidad básica (RE31929)			26/6098-4 (R55127)	26/6098-4 (R55127)			
2955 8 plate basic capacity / 8 laminas capacidad básica (AR98852)		26/6097-1 (AR98852, RE31929)	26/6098-4 (R55127)	26/6098-4 (R55127)			(A) Cut from Cortar del 26/6098-16 (R83063)
2955 10 plate basic capacity/10 laminas capacidad básica (RE31929)	26/6098-6 (R79691)		26/6098-6 (R79691)				

(A) 26/6098-16 5/8" (16.0mm) dia. x 1 metre long / 26/6098-16 16,0mm (5/8") dia. x 1 metro de longitud  
26/6098-19 3/4" (19.0mm) dia. x 1 metre long / 26/6098-19 19,0mm (3/4") dia. x 1 metro de longitud

## ENGINE OIL COOLERS - FILTER MOUNTED ENFRIADOR - SOPORTE DEL FILTRO DE ACEITE MOTOR



See page 125 for the photos and dimensions of the parts shown below. / Para las fotos y dimensiones de los artículos mostrados más abajo, ver página 125.

Tractors Tractores	Engines Motores	Oil cooler Refrig. aceite	Oil cooler hose Manguito refriger. de aceite		Water pump hose Manguito para bombas de agua		
		1	2	3	4	5	
<b>6 cylinder engines / Motores 6 cilindros</b>							
2955 6 plate increased capacity / 6 laminas capacidad incrementada (RE38077, RE61767)	6359D	26/6097-9 (RE38077, RE61767)	26/6098-3 (R99254)	26/6098-3 (R99254)			
3040, 3140 (⇔462079) 8 plate basic capacity / 8 laminas capacidad básica (AR64415, AR98852, RE10869)		26/6097-1 (AR64415, AR98852, RE10869, RE14448, RE31929)	26/6098-1 (T22942)		26/6098-4 (R55127)		
3040, 3140 (462080⇔) 3340 8 plate basic capacity / 8 laminas capacidad básica (AR64415, AR98852, RE10869)		26/6097-1 (AR64415, AR98852, RE10869, RE14448, RE31929)	26/6098-4 (R55127)				
3040, 3140 (462080⇔) 3340 10 plate basic capacity/10 laminas capacidad básica (RE14448, RE31929)		26/6097-1 (AR64415, AR98852, RE10869, RE14448, RE31929)	26/6098-6 (R79691)	26/6098-6 (R79691)		(A) Cut from Cortar del 26/6098-16 (R83063)	(A) Cut from Cortar del 26/6098-16 (R83063)
3050, 3150 (ES), 3350 (DE), 3350 (ES) (⇔794193) 8 plate basic capacity / 8 laminas capacidad básica (AR98852)	6359 D & T	26/6097-1 (AR98852, RE31929)	26/6098-4 (R55127)	26/6098-4 (R55127)			
3050, 3150 (ES), 3350 (DE), 3350 (ES) (⇔794193) 10 plate basic capacity/10 laminas capacidad básica (RE31929)		26/6097-1 (AR98852, RE31929)	26/6098-6 (R79691)	26/6098-6 (R79691)			
3050, 3150 (ES), 3350 (DE), 3350 (ES) (794194⇔) 3055 6 plate increased capacity / 6 laminas capacidad incrementada (RE38077, RE61767)		26/6097-9 (RE38077, RE61767)	26/6098-3 (R99254)	26/6098-3 (R99254)			
3150 (USA) 3155 (⇔795106) 3640, 3640S 3650 (⇔795106) 10 plate basic capacity/10 laminas capacidad básica (RE14448, RE31929)	6359 D & T	26/6097-1 (RE14448, RE31929)	26/6098-5 (R54829)	26/6098-5 (R54829)	(A) Cut from Cortar del 26/6098-19 (R83064)	(A) Cut from Cortar del 26/6098-19 (R83064)	
3155 (795107⇔) 3255 8 plate increased capacity / 8 laminas capacidad incrementada (RE38078, RE61769)		26/6097-10 (RE38078, RE61769)	26/6098-3 (R99254)	26/6098-3 (R99254)		(A) Cut from Cortar del 26/6098-16 (R83063)	(A) Cut from Cortar del 26/6098-16 (R83063)

(A) 26/6098-16 5/8" (16.0mm) dia. x 1 metre long / 26/6098-16 16,0mm (5/8") dia. x 1 metro de longitud  
26/6098-19 3/4" (19.0mm) dia. x 1 metre long / 26/6098-19 19,0mm (3/4") dia. x 1 metro de longitud



## ENGINE OIL COOLERS - FILTER MOUNTED ENFRIADOR - SOPORTE DEL FILTRO DE ACEITE MOTOR

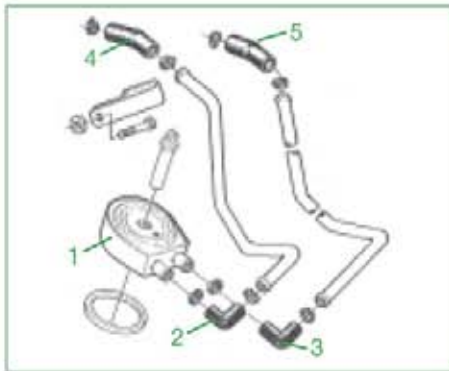


See page 125 for the photos and dimensions of the parts shown below. / Para las fotos y dimensiones de los artículos mostrados más abajo, ver página 125.

Tractors Tractores	Engines Motores	Oil cooler Refrig. aceite	Oil cooler hose Manguito refrige. de aceite		Water pump hose Manguito para bombas de agua	
		1	2	3	4	5
<b>6 cylinder engines / Motores 6 cilindros</b>						
3650 (795107⇔) 8 plate increased capacity / 8 laminas capacidad incrementada (RE38078, RE61769)	6359T	26/6097-10 (RE38078, RE61769)	26/6098-3 (R99254)	26/6098-3 (R99254)	26/6098-18 (R99260)	26/6098-18 (R99260)
4030 (xxxxxx⇔) 8 plate basic capacity / 8 laminas capacidad básica (RE10869)	6329D	26/6097-1 (RE10869, RE31929)	26/6098-4 (R55127)	26/6098-4 (R55127)	-	-
4030 (xxxxxx⇔) 10 plate basic capacity/10 laminas capacidad básica (RE31929)			26/6098-7 (R99802)	26/6098-7 (R99802)	-	-
4040 (EU⇔471012) 8 plate basic capacity / 8 laminas capacidad básica (AR64415, AR98852)	6359T	26/6097-1 (AR64415, AR98852, RE12838, RE14448, RE31929)	26/6098-1 (T22942)	(A) Cut from Cortar del 26/6098-16 (R83063)	26/6098-1 (T22942)	(A) Cut from Cortar del 26/6098-16 (R83063)
4040 (EU 471013⇔) 4040S (⇔599666) 8 plate basic capacity / 8 laminas capacidad básica (AR64415, AR98852)			26/6098-4 (R55127)	26/6098-4 (R55127)	(A) Cut from Cortar del 26/6098-16 (R83063)	
4040 (EU 471013⇔) 4040S (⇔599666) 10 plate basic capacity/10 laminas capacidad básica (RE14448, RE31929)			26/6098-6 (R79691)	26/6098-6 (R79691)	(A) Cut from Cortar del 26/6098-19 (R83064)	
4040S (599667⇔) 4050 (⇔795106) 10 plate basic capacity / 8 laminas capacidad básica (RE12838, RE14448, RE31929)			26/6098-5 (R54829)	26/6098-5 (R54829)	(A) Cut from Cortar del 26/6098-19 (R83064)	
4050 (795107⇔) 8 plate increased capacity / 8 laminas capacidad incrementada (RE38078, RE61769)		26/6097-10 (RE38078, RE61769)	26/6098-3 (R99254)	26/6098-3 (R99254)	(A) Cut from Cortar del 26/6098-16 (R83063)	(A) Cut from Cortar del 26/6098-16 (R83063)
6600	6059T		26/6098-13 (R121087)	26/6098-14 (R121088)	-	-
6506	6068D	26/6097-11 (RE50122)	26/6098-15 (R121566)	26/6098-20 (R121567)	-	-
6800, 6900 7500 (⇔001336)	6068T				-	-

(A) 26/6098-16 5/8" (16.0mm) dia. x 1 metre long / 26/6098-16 16,0mm (5/8") dia. x 1 metro de longitud  
26/6098-19 3/4" (19.0mm) dia. x 1 metre long / 26/6098-19 19,0mm (3/4") dia. x 1 metro de longitud

**ENGINE OIL COOLERS - FILTER MOUNTED**  
**ENFRIADOR - SOPORTE DEL FILTRO DE ACEITE MOTOR**

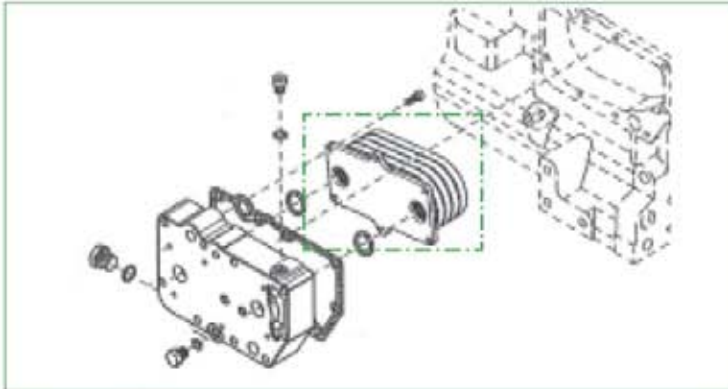


See page 125 for the photos and dimensions of the parts shown below. / Para las fotos y dimensiones de los artículos mostrados más abajo, ver página 125.

Tractors Tractores	Engines Motores	Oil cooler	Oil cooler hose		Water pump hose	
		Refrig. aceite	Manguito refrige. de aceite	Manguito para bombas de agua		
		1	2	3	4	5
<b>6 cylinder engines / Motores 6 cilindros</b>						
7200	6059T	26/6097-11 (RE50122)	26/6098-17 (TY22423)	26/6098-17 (TY22423)	-	-
7400 7600	6068T				-	-

(A) 26/6098-16 5/8" (16.0mm) dia. x 1 metre long / 26/6098-16 16,0mm (5/8") dia. x 1 metro de longitud  
 26/6098-19 3/4" (19.0mm) dia. x 1 metre long / 26/6098-19 19,0mm (3/4") dia. x 1 metro de longitud

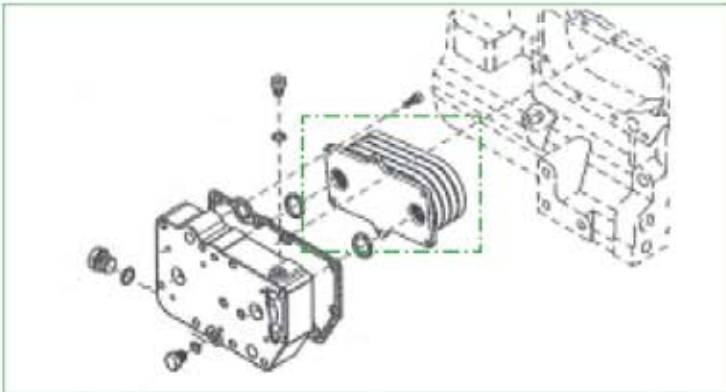
## OIL COOLERS ENFRIADOR DEL ACEITE MOTOR



See page 125 for the photos and dimensions of the parts shown below. / Para las fotos y dimensiones de los artículos mostrados más abajo, ver página 125..

Tractors Tractores	Engines Motores	Oil cooler Refrigerador de aceite
<b>4 cylinder engines / Motores 4 cilindros</b>		
3210, 3210X, 3310, 3310X 5403 (BR), 5410 (USA), 5415, 5415N, 5420, 5420N, 5425 (MEX), 5425N (MEX), 5603 (BR), 5605, 5615 (MEX), 5615 (TUR), 5620, 5625 (MEX)	4045D PowerTech	26/6097-14 (RE59296)
3410, 3410X 5603 (USA), 5625 (USA)	4045T PowerTech	26/6097-16 (RE56690)
5425 (USA), 5425N (USA), 5510, 5510N, 5515, 5520, 5520N, 5525, 5525N, 5615 (EU), 5705, 5715 (MEX), 5715 (TUR), 5720, 5725, 5725N, 5820	4045D PowerTech	26/6097-14 (RE59296)
6010, 6010SE	4045T PowerTech	26/6097-15 (RE59298)
6110, 6110L, 6110SE, 6205, 6210, 6210L, 6210SE, 6215 (USA 4045TL064), 6310, 6310L, 6310S, 6310SE, 6405, 6410, 6410L, 6410S, 6410SE, 6415 (BR 195006⇄), 6510L, 6510S	4045D PowerTech	26/6097-16 (RE56690)
6020 & 6020SE (⇄799999)	4045T PowerTech	26/6097-14 (RE59296)
6020 & 6020SE (800000⇄) 6120, 6120L, 6120SE, 6215 (EU), 6215 (USA 4045TL071 & 4045TL272), 6220, 6220L, 6220SE, 6320SE (⇄799999), 6415 (BR⇄195005)	4045H PowerTech E	26/6097-16 (RE56690)
6400SP (TP054), 6403, 6415 (MEX), 6425 (MEX)	4045H PowerTech E	26/6097-14 (RE59296)
6320, 6320L, 6420, 6420L, 6420S, 6420SE (⇄799999) (5 Plates / 5 laminas)	4045H PowerTech E	26/6097-14 (RE59296)
6320, 6320L, 6320SE, 6420, 6420L, 6420S, 6420SE, 6520L (800000⇄) (7 Plates / 7 laminas) 6415 (USA)	4045H PowerTech E	26/6097-16 (RE56690)
6130, 6225, 6230, 6230PR (USA), 6325, 6330, 6330PR (USA), 6425 (EU), 6430, 6430PR (USA)	4045H PowerTech Plus	26/6097-16 (RE56690)
6230PR, 6330PR, 6430PR		

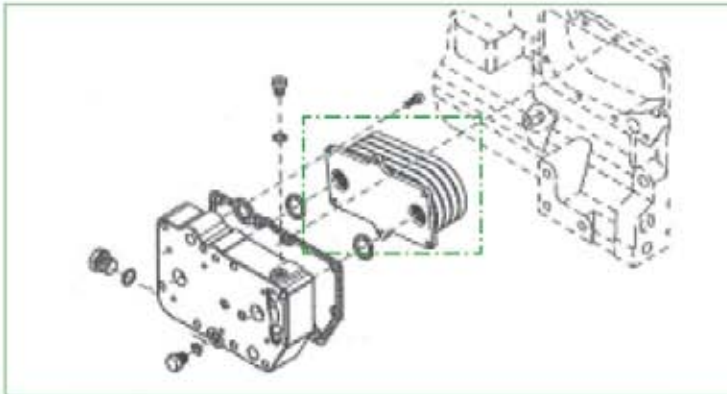
**OIL COOLERS**  
**ENFRIADOR DEL ACEITE MOTOR**



See page 125 for the photos and dimensions of the parts shown below. / Para las fotos y dimensiones de los artículos mostrados más abajo, ver página 125.

Tractors Tractores	Engines Motores	Oil cooler Refrigerador de aceite
<b>6 cylinder engines / Motores 6 cilindros</b>		
4040 (USA), 4230 4430	6404D	26/6097-13 (AR55394)
4630	6404A	26/6097-12 (AT25038)
4240 4240S, 4350, 4440, 4455 (MEX)	6466D 6466T	26/6097-13 (AR55394)
4440 4640, 4840	6466T 6466A	26/6097-12 (AT25038)
4050 (↔036869)	6466D	26/6097-13 (AR55394)
4050E, 4250, 4450, 4650, 4850 (↔336698)	6466T 6466A	26/6097-12 (AT25038)
4250, 4450, 4650, 4850 (336699↔)		26/6097-13 (AR55394)
4055, 4255, 4455 (USA), 4555, 4560 4755, 4760, 4955, 4960	6076T 6076A	
6505, 6510, 6510SE	6068D PowerTech	26/6097-15 (RE59298)
6515, 6520, 6520SE (↔799999)		
6520, 6520SE, 6620, 6620SE, 6715 (↔799999) 6603, 6615 (BR↔415009), 6920SE	6068T PowerTech	26/6097-16 (RE56690)
6605, 6610, 6610SE, 6615 (BR 415010↔), 6810, 6910, 6910S		26/6097-15 (RE59298)
6620, 6820, 6920, 6920S (↔799999)	6068H PowerTech	26/6097-14 (RE59296)
6515, 6520, 6520SE, 6620, 6620SE, 6715, 6820, 6920, 6920S (800000↔) 6615 (USA)		26/6097-16 (RE56690)
6525, 6530, 6630, 6830, 6930 7130PR, 7230, 7230PR, 7330, 7330PR, 7430PR (USA)	6068H PowerTech E	




























## OIL COOLERS ENFRIADOR DEL ACEITE MOTOR



See page 125 for the photos and dimensions of the parts shown below. / Para las fotos y dimensiones de los artículos mostrados más abajo, ver página 125..

Tractors Tractores	Engines Motores	Oil cooler Refrigerador de aceite
<b>6 cylinder engines / Motores 6 cilindros</b>		
6530PR, 6630PR, 6830PR, 6930PR 7130PR, 7230PR, 7330PR, 7430PR, 7530PR	6068H PowerTech Plus	<b>26/6097-16</b> (RE56690)
7020 (335846↔)	6404A	<b>26/6097-12</b> (AT25038)
7210, 7410, 7510	6068T PowerTech	<b>26/6097-14</b> (RE59296)
7220, 7320, 7405, 7420, 7425, 7500 (001337↔), 7515 (↔465008), 7520, 7525, 7610, 7720, 7820 (EU)	6068T & H PowerTech	<b>26/6097-16</b> (RE56690)
7505, 7515 (465009↔), 7715, 7810 (BR), 7815		<b>26/6097-15</b> (RE59298)
7630, 7730, 7830, 7930	6068H PowerTech Plus	
7710, 7810 (↔089999)	6081T PowerTech	
7820, 7920 8100, 8200, 8300 (010000↔) 8100T, 8110, 8110T, 8120, 8120T, 8200T, 8210, 8210T, 8220, 8220T, 8300T, 8310, 8310T, 8320, 8320T, 8400, 8400T, 8410, 8410T, 8420, 8420T, 8520, 8520T 9100, 9120	6081H PowerTech	<b>26/6097-13</b> (AR55394)
8130, 8230, 8230T, 8330, 8330T, 8430, 8430T, 8530 9230	6090H PowerTech Plus	
8430, 8440, 8450	6466A	<b>26/6097-12</b> (AT25038)
8560 (↔499999)	6076H	<b>26/6097-13</b> (AR55394)

**OIL COOLERS**  
**ENFRIADOR DEL ACEITE MOTOR**

<p>26/6097-1</p>  <p>10 Plates / 10 Laminas</p>	<p>26/6097-9</p>  <p>6 Plates / 6 Laminas</p>	<p>26/6097-10</p>  <p>8 Plates / 8 Laminas</p>	<p>26/6097-11</p>  <p>10 Plates / 10 Laminas</p>
<p>26/6097-12</p>  <p>12 Plates / 12 Laminas</p>	<p>26/6097-13</p>  <p>8 Plates / 8 Laminas</p>	<p>26/6097-14</p>  <p>5 Plates / 5 Laminas</p>	<p>26/6097-15</p>  <p>9 Plates / 9 Laminas</p>
<p>26/6097-16</p>  <p>7 Plates / 7 Laminas</p>	<p>26/6098-1</p>  <p>Ø 16 x 16mm</p>	<p>26/6098-2</p>  <p>Ø 16 x 16mm</p>	<p>26/6098-3</p>  <p>Ø 16 x 16mm</p>
<p>26/6098-4</p>  <p>Ø 16 x 16mm</p>	<p>26/6098-5</p>  <p>Ø 19 x 19mm</p>	<p>26/6098-6</p>  <p>Ø 16 x 19mm</p>	<p>26/6098-7</p>  <p>Ø 16 x 19mm</p>
<p>26/6098-8</p>  <p>Ø 16 x 16mm</p>	<p>26/6098-9</p>  <p>Ø 19 x 16mm</p>	<p>26/6098-10</p>  <p>Ø 19 x 16mm</p>	<p>26/6098-11</p>  <p>Ø 19 x 16mm</p>
<p>26/6098-12</p>  <p>Ø 19 x 16mm</p>	<p>26/6098-13</p>  <p>Ø 19 x 19mm</p>	<p>26/6098-14</p>  <p>Ø 19 x 19mm</p>	<p>26/6098-15</p>  <p>Ø 19 x 19mm</p>
<p>26/6098-16</p> 	<p>26/6098-17</p>  <p>Ø 19 x 19mm</p>	<p>26/6098-18</p>  <p>Ø 16 x 19mm</p>	<p>26/6098-20</p>  <p>Ø 19 x 19mm</p>
<p>26/6098-19</p> <p>26/6098-16 Ø 16,0mm (5/8") x 1m lg.                  26/6098-19 Ø 19,0mm (3/4") x 1m lg.</p>			

Part numbers are quoted for reference purposes only.  
 Our parts and accessories are not original.

**"THE RELIABLE SERVICE"**

Las referencias originales tienen un propósito identificativo. Nuestras piezas no son originales.

## HEATING PLUGS CALENTADORES



See page 129 for the photos of the parts shown below. / Para las fotos de los artículos mostrados más abajo, ver página 129

Tractors <i>Tractores</i>	Engine <i>Motor</i>	Heater Plug <i>Calentadores</i>	Nose <i>Tubo flexible</i>	Fuel Preheater <i>Calenta. de combu.</i>	Preheater Switch <i>Interrupt. calentad.</i>
		1	2	3	4
<b>3 cylinder engines / Motores 3 cilindros</b>					
310,510	3152D	26/60-5 (AT26190)	-	-	-
820 (EU), 920 1020 (EU↔085099)		26/60-5 (AT26190) Screw type / conexión con tornillo (↔115419) 26/60-6 (AR63103)	26/61-1 (AR94126)	-	-
1020 (EU 085100↔), 1120	3164D	Lucar type / conexión con fastón (115420↔)		-	-
830 (EU), 930 1030, 1035, 1130		26/60-6 (AR63103)	-	-	
1630, 1635	3179D	26/60-7 (AR63105)	26/61-1 (AR94126) (↔544451)	26/60-55 (DD14698)	26/180-33 (RE28533)
840					
940 (DE), 1040 (DE), 1140 (DE) Plastic fuel tank <i>Depósito plástico</i>		26/60-6 (AR63103)	26/61-1 (AR94126)	-	-
1040 (DE), 1140 (DE) Metal fuel tank <i>Depósito metálico</i>		26/60-6 (AR63103)	26/61-1 (AR94126) (↔127110)	-	-
940 (ES), 940V, 1040 (ES), 1040V, 1140 (ES), 1140F, 1140V	3179D & T	26/60-54 (RE29658, RE502079)	-	26/60-55 (DD14698)	26/180-33 (RE28533)
1350, 1550, 1750, 1850, 1850N 1950, 1950N 2155, 2355N			-	-	-
1445F, 1745F, 1845F 2345F	3179D	26/60-6 (AR63103)	26/61-1 (AR94126) (↔544451)	26/60-55 (DD14698)	26/180-33 (RE28533)
2150, 2255					
3100, 3110 5200, 5300, 5300N	3029D	26/60-54 (RE29658, RE502079)	-	-	-
5400, 5400N	3029T		-	-	-
5210, 5310 (EU), 5310N (EU)	3029D PowerTech		-	-	-
5215, 5310 (USA), 5310N (USA), 5315, 5410 (EU), 5410N	3029T PowerTech		-	-	-

Part numbers are quoted for reference purposes only.  
Our parts and accessories are not original.

**"THE RELIABLE SERVICE"**

Las referencias originales tienen un propósito identifica-  
tivo. Nuestras piezas no son originales.

## HEATING PLUGS CALENTADORES



See page 129 for the photos of the parts shown below. / Para las fotos de los artículos mostrados más abajo, ver página 129

Tractors <i>Tractores</i>	Engine <i>Motor</i>	Heater Plug <i>Calentadores</i>	Hose <i>Tubo flexible</i>	Fuel Preheater <i>Precalentad. gasoil</i>	Preheater Switch <i>Contacto precalenta.</i>	
		1	2	3	4	
<b>4 cylinder engines / Motores 4 cilindros</b>						
710	4202D	26/60-5 (AT26190)	-	-	-	
2020 (EU)		26/60-5 (AT26190) Screw type / Conexión con tornillo (⇔ 115419)	26/61-1 (AR94126)	-	-	
2120 (EU)	4219D	26/60-6 (AR63103) Lucar type / Conexión con fastón (115420⇔)		-	-	
1830 2030 (EU), 2035		4239D		-	-	-
2130, 2135	-			-		
1640 (DE), 1840 (DE) 2040 (DE), 2040S, 2140 (DE) (⇔ 429999)	4239D & T			26/60-6 (AR63103)	26/61-1 (AR94126) (⇔ 544831)	26/60-55 (DD14698)
1640 (DE) 2040 (DE), 2040S (DE), 2140 (DE) (430000⇔) Plastic fuel tank <i>Depósito plástico</i>		26/61-1 (AR94126)		-	-	
1640 (DE) 2040 (DE), 2140 (DE) (430000⇔) Metal fuel tank <i>Depósito metálico</i>	4239D	-		26/61-1 (AR94126) (⇔ 127110)	-	-
1640 (ES), 1640F, 1840 (ES), 1840F 2040S (ES), 2040F	4239T	26/60-7 (AR63105)		-	-	-
2250, 2355, 2450, 2555CS, 2650CS	4239D	26/60-54 (RE29658, RE502079)		-	26/60-55 (DD14698)	26/180-33 (RE28533)
2350, 2550, 2750	4239D & T	26/60-6 (AR63103)		26/61-1 (AR94126) (⇔ 544831)		
2555TSS, 2650TSS, 2650N, 2755, 2850 (DE), 2855N	4239T	26/60-54 (RE29658, RE502079)	-	-	-	
2650 (ES), 2650F, 2850 (ES)			-	-	-	
3200, 3200X, 3210, 3210X	4039D	-	-	-	-	

Part numbers are quoted for reference purposes only.  
 Our parts and accessories are not original.

**"THE RELIABLE SERVICE"**

Las referencias originales tienen un propósito identificativo. Nuestras piezas no son originales.



## HEATING PLUGS CALENTADORES



See page 129 for the photos of the parts shown below. / Para las fotos de los artículos mostrados más abajo, ver página 129

Tractors <i>Tractores</i>	Engine <i>Motor</i>	Heater Plug <i>Calentadores</i>	Hose <i>Tubo flexible</i>	Fuel Preheater <i>Precalentad. gasoil</i>	Preheater Switch <i>Contacto precalenta.</i>
1					
2					
3					
4					
<b>4 cylinder engines / 4 Motores cilindros</b>					
3300, 3300X, 3310, 3310X	4045D	26/60-54 (RE29658, RE502079)	-	-	-
3400, 3400X, 3410, 3410X 5500, 5500N	4039T		-	-	-
5410 (USA), 5415, 5415N, 5425 (MEX), 5425N (MEX), 5615 (MEX), 5615 (TUR), 5625 (MEX)	4045D PowerTech		-	-	-
5510 (USA), 5510N (USA), 5515, 5615 (EU), 5715, 5725, 5725N	4045T PowerTech		-	-	-
6100, 6100SE	4045D		-	-	-
6200, 6200L, 6200SE, 6300, 6300L, 6300SE	4039T		-	-	-
6400, 6400L, 6400SE, 6500, 6500L	4045T		-	-	-
<b>6 cylinder engines / 6 Motores cilindros</b>					
3120	6303D	26/60-5 (AT26190) Screw type / conexión con tornillo 26/60-7 (AR63105) Lucar type / conexión con fastón	26/61-1 (AR94126)	-	-
3030, 3130, 3135	6329D	26/60-7 (AR63105)		-	-
3040, 3140 (DE) (↔429999)	6359D		26/60-54 (RE29658, RE502079)	26/61-1 (AR94126) (↔541435)	26/60-55 (DD14698)
3040, 3140 (DE) (430000↔) 2950		-		-	-
3040 (430000↔), 3140 (DE) With Altitude Compensator Con Compensador de Altitud 2955, 3050, 3350 (DE)		-	-	-	-
3055, 3150 (ES), 3155		-	-	-	-
3140 (ES), 3340		26/60-7 (AR63105)	26/61-1 (AR94126) (↔127110)	-	-
3150 (USA)	-	-	26/60-55 (DD14698)	26/180-33 (RE28533)	
3255 3350 (ES 761166↔)	6359T	26/60-54 (RE29658, RE502079)	-	-	-

Part numbers are quoted for reference purposes only.  
 Our parts and accessories are not original.

**"THE RELIABLE SERVICE"**

Las referencias originales tienen un propósito identifica-  
 tivo. Nuestras piezas no son originales.

## HEATING PLUGS CALENTADORES



Tractors <i>Tractores</i>	Engine <i>Motor</i>	Heater Plug <i>Calentadores</i>	Hose <i>Tubo flexible</i>	Fuel Preheater <i>Precalentad. gasoil</i>	Preheater Switch <i>Contacto precalenta.</i>
		1	2	3	4
<b>6 cylinder engines / Motores 6 cilindros</b>					
3640	6359D	26/60-7 (AR63105)	26/61-1 (AR94126) (↔541435)	26/60-55 (DD14698)	26/180-33 (RE28533)
3640S				-	-
3650	6359T	26/60-54 (RE29658, RE502079)	-	26/60-55 (DD14698)	26/180-33 (RE28533)
6506	6068D			-	-
6600 7200	6059T			-	-
6800, 6900 7400, 7500, (↔001336), 7600	6068T			-	-
7210, 7410 7500 (001337↔) 7510, 7610, 7810 (BR)	6068T PowerTech			-	-



Part numbers are quoted for reference purposes only.  
 Our parts and accessories are not original.

**"THE RELIABLE SERVICE"**

Las referencias originales tienen un propósito identifica-  
 tivo. Nuestras piezas no son originales.

## FUEL PUMPS BOMBINES DE ALIMENTACIÓN



**1**



**2**



**3**

See page 142-143 for the photos of the parts shown below. / Para las fotos de los artículos mostrados más abajo, ver página 142-143.

Tractors <i>Tractoros</i>	Engine <i>Motor</i>	Fuel Pump <i>Bombin de alimentación</i>	Gasket <i>Junta</i>	Filter Head Ha nd prl. <i>Filtro bomba de purga</i>
		1	2	3
<b>3 cylinder engines / Motores 3 cilindros</b>				
310, 510 820 (EU), 920 1020 (EU→085099)	3152D	<b>26/100-21</b> (DD14195) BCD Corona type	<b>26/6110-1</b> (R27285, R97350, R520618)	-
830 (EU), 930 1020 (EU 085100↔), 1120 1030, 1035, 1130	3164D	<b>26/100-29</b> (RE37482, RE527115) Sofabex type		-
1630, 1635	3179D			-
820 (USA), 830 (USA) 1020 (USA)	3152D			-
1520, 1530 2040 (USA↔349999)	3164D	<b>26/100-121</b> (RE27667, RE42211)		-
2040 (USA 350000↔) 2240				-
840, 940, 1040, 1140 1350, 1445F, 1550, 1745F, 1750, 1845F, 1850, 1850N 2150, 2155, 2255	3179D	<b>26/100-21</b> (DD14195) BCD Corona type		-
		<b>26/100-29</b> (RE527115) Sofabex type		-
1950, 1950N 2345F, 2355N	3179T	<b>26/100-121</b> (RE42211) Airtex type (USA)		-
1350, 1445F, 1550, 1745F, 1750, 1845F, 1850, 1850N 2155 Composite Material Cover <i>Tapa en material plástico</i>	3179D	<b>26/100-26</b> (RE38009)		-
1950, 1950N 2345F, 2355N Composite Material Cover <i>Tapa en material plástico</i>	3179T		<b>26/6110-2</b> (T16318)	
3100, 3110	3029D	<b>26/100-68</b> (RE61260)	-	

Part numbers are quoted for reference purposes only.  
 Our parts and accessories are not original.

**"THE RELIABLE SERVICE"**

Las referencias originales tienen un propósito identifica-  
 tivo. Nuestras piezas no son originales.

**FUEL PUMPS**  
**BOMBINES DE ALIMENTACIÓN**



**1**



**2**



**3**

See page 142-143 for the photos of the parts shown below. / Para las fotos de los artículos mostrados más abajo, ver página 142-143.

Tractors <i>Tractores</i>	Engine <i>Motor</i>	Fuel Pump <i>Bombín de alimentación</i>	Gasket <i>Junta</i>	Filter Head and pri. <i>Filtro bomba de purga</i>
		1	2	3
<b>3 cylinder engines / Motores 3 cilindros</b>				
Engines / Motores 3029D & 3029T Pump codes / Número de bomba 3711 & 3716	3029D 3029T	26/100-95 (RE55390)	26/6110-2 (T16318)	-
5200, 5300, 5300N	3029D	-	-	26/100-127 (RE50467)
5400, 5400N	3029T	-	-	
5103 (USA), 5105, 5203 (USA), 5204 (MEX), 5205, 5210, 5220, 5303 (MEX), 5303 (North Africa), 5303 (South America), 5303 (TUR), 5303 (ZA), 5310 (EU), 5310N (EU)	3029D PowerTech	-	-	
5103 (AUS), 5103 (USA), 5203 (AUS), 5203 (USA), 5215, 5303 (AUS), 5303 (USA), 5310 (Asia), 5310 (USA), 5310N (USA), 5310S, 5315, 5320, 5320N, 5403, 5410 (EU), 5410 (IND), 5410N, 5503, 5610	3029T PowerTech	-	-	
<b>4 cylinder engines / Motores 4 cilindros</b>				
710 2020 (EU)	4202D	26/100-21 (DD14195) BCD Corona type  26/100-29 (RE37482, RE527115) Sofabex type	26/6110-1 (R27285, R97350, R520618)	-
1830 2030 (EU), 2035, 2120 (EU)	4219D			-
2130 (EU), 2135	4239D			-
2020 (USA) 2510	4202D	-		
2030 (USA), 2120 (USA) 2440, 2520	4219D	26/100-121 (RE27667, RE42211)		-
2130 (USA)	4239D			-

## FUEL PUMPS BOMBINES DE ALIMENTACIÓN



1



2



3

See page 142-143 for the photos of the parts shown below. / Para las fotos de los artículos mostrados más abajo, ver página 142-143.

Tractors <i>Tractores</i>	Engine <i>Motor</i>	Fuel Pump <i>Bombin de alimentaci3n</i>	Gasket <i>Junta</i>	Filter Head Head prl. <i>Filtro bomba de purga</i>
		1	2	3
<b>4 cylinder engines / Motores 4 cilindros</b>				
1640, 1840 2040, 2040S 2250, 2350, 2355, 2450, 2550, 2555CS, 2650CS	4239D	<b>26/100-21</b> (DD14195) BCD Corona type	<b>26/6110-1</b> (R27285, R97350, R520618)	-
2140 2555TSS, 2650 (ES), 2650F, 2650N, 2650TSS, 2750, 2755, 2850, 2855N	4239T	<b>26/100-29</b> (RE527115) Sofabex type  <b>26/100-121</b> (RE42211) Airtex type (USA)		-
2250, 2355, 2450, 2555CS, 2650CS Composite Material Cover <i>Tapa en material pl1stico</i>	4239D	<b>26/100-26</b> (RE38009)	<b>26/6110-2</b> (T16318)	-
2555TSS, 2650 (ES), 2650F, 2850N, 2650TSS, 2755, 2850, 2855N Composite Material Cover <i>Tapa en material pl1stico</i>	4239T			-
2630, 2640	4276D	<b>26/100-121</b> (RE27667, RE42211)	<b>26/6110-1</b> (R27285, R97350, R520618)	-
3010	4270D	<b>26/100-122</b> (AR53567, RE43273)		-
3020		<b>26/100-121</b> (RE27667, RE42211)		-
3200, 3200X, 3210, 3210X	4039D	<b>26/100-68</b> (RE61260)	<b>26/6110-2</b> (T16318)	-
3400, 3400X, 3410, 3410X	4039T			-
3300, 3300X, 3310, 3310X	4045D			-
Engines / Motores 4039D, 4039T, 4045D, 4045T Telescopic handlers with 4039T engine with pump codes 3709 & 3712 Including / Incluye 4400, 4500 <i>Telesc3picas con motores 4039T con los n1meros de bombas 3709 &amp; 3712</i>	4039D & T 4045D & T	<b>26/100-95</b> (RE55390)	-	-
3210, 3210X, 3310, 3310X	4045D PowerTech	-	-	<b>26/100-127</b> (RE50467)

Part numbers are quoted for reference purposes only.  
Our parts and accessories are not original.

**"THE RELIABLE SERVICE"**

Las referencias originales tienen un prop3sito identificativo. Nuestras piezas no son originales

## FUEL PUMPS BOMBINES DE ALIMENTACIÓN



1



2



3

See page 142-143 for the photos of the parts shown below. / Para las fotos de los artículos mostrados más abajo, ver página 142-143.

Tractors Tractores	Engine Motor	Fuel Pump Bombin de alimentaci3n	Gasket Junta	Filter Head and prl. Filtro bomba de purga
		1	2	3
<b>4 cylinder engines / Motores 4 cilindros</b>				
3410, 3410X	4045T PowerTech	-	-	26/100-127 (RE50487)
5500, 5500N	4039T	-	-	
5403 (BR), 5410 (USA), 5415, 5415N, 5420, 5420N, 5425 (MEX), 5425N (MEX), 5603 (South America), 5605, 5615 (MEX), 5615 (TUR), 5625 (MEX)	4045D PowerTech	-	-	
5425 (USA), 5425N (USA), 5510, 5510N, 5515, 5520, 5520N, 5525, 5525N, 5603 (USA), 5615 (EU), 5625 (USA), 5705, 5715, 5725, 5725N	4045T PowerTech	-	-	
6400SP (TP001) 6403	4045T	26/100-123 (RE68345)	26/6110-3 (R123273)	-
6400SP (TP054) 6405 (BR), 6415 (BR)	4045T PowerTech	26/100-124 (RE66153)		-
<b>6 cylinder engines / Motores 6 cilindros</b>				
3120	6303D	26/100-21 (DD14195) BCD Corona type	26/6110-1 (R27285, R97350, R520618)	-
3030, 3130	6329D	26/100-29 (RE37482, RE527115) Sofabex type		-
2840		26/100-21 (DD14195) BCD Corona type		-
2940, 2950, 2955 3040, 3050, 3055, 3140, 3150, 3155, 3340, 3350 (DE), 3350 (ES↔155860), 3540	6359D	26/100-29 (RE37482, RE527115) Sofabex type		-
3350 (ES 761166↔), 3640S, 3650 4040 (EU), 4040S, 4050	6359T	26/100-121 (RE42211) Airtex type (USA)		-

## FUEL PUMPS BOMBINES DE ALIMENTACIÓN



1



2



3

See page 142-143 for the photos of the parts shown below. / Para las fotos de los artículos mostrados más abajo, ver página 142-143.

Tractors Tractores	Engine Motor	Fuel Pump Bombin de alimentaci3n	Gasket Junta	Filter Head Ha nd prl. Filtro bomba de purga
		1	2	3
<b>6 cylinder engines / Motores 6 cilindros</b>				
2955, 3050, 3055, 3150, 3155, 3350 (DE) Composite Material Cover Tapa en material pl1stico	6359D	<b>26/100-26</b> (RE38009)	<b>26/6110-2</b> (T16318)	-
3255, 3350 (ES 761166⇄), 3650 Composite Material Cover Tapa en material pl1stico	6359T			-
4010	6404D	<b>26/100-122</b> (AR53567, RE43273)	<b>26/6110-1</b> (R27285, R97350, R520618)	-
4000, 4020		<b>26/100-121</b> (RE27667, RE42211)		-
4030		6329D		-
4040 (USA) 4230	6404D	<b>26/100-125</b> (AR57264)	<b>26/6110-4</b> (R48399)	-
4050 4240	6466D			-
4320	6404T	<b>26/100-126</b> (AR49771, RE43272)	<b>26/6110-1</b> (R27285, R97350, R520618)	-
4620	6404A			-
4520	6404T	<b>26/100-121</b> (RE27667, RE42211)	-	-
6603	6068T PowerTech	<b>26/100-123</b> (RE68345)	<b>26/6110-3</b> (R123273)	-
6605 (BR), 6615 (BR)		<b>26/100-124</b> (RE66153)		-
7020 (↔335845)	6404A	<b>26/100-126</b> (AR49771, RE43272)	<b>26/6110-1</b> (R27285, R97350, R520618)	-
7200	6059T	<b>26/100-121</b> (RE42211)		-
7400 7600	6068T			-

**FUEL PUMPS**  
**BOMBINES DE ALIMENTACIÓN**



**1**



**2**



**3**

See page 142-143 for the photos of the parts shown below. / Para las fotos de los artículos mostrados más abajo, ver página 142-143.

Tractors <i>Tractores</i>	Engine <i>Motor</i>	Fuel Pump <i>Bombin de alimentación</i>	Gasket <i>Junta</i>	Filter Head Ha nd pri. <i>Filtro bomba de purga</i>
		1	2	3
<b>4 cylinder engines / Motores 4 cilindros</b>				
7210, 7410 7505, 7510, 7515	6068T PowerTech	26/100-124 (RE66153)	-	-
7500 (001336⇄)	6068T	26/100-123 (RE68345)	26/6110-3 (R123273)	-
7405 7500 (001337⇄) 7610	6068T PowerTech			-
7810 (BR)				26/100-127 (RE50467)
7715, 7720 7815, 7820 (EU)	6068H PowerTech	26/100-124 (RE66153)		-
Engines / Motores 6059D, 6059T, 6068D, 6068T Including / Incluye 2054, 2254 (⇄068583) Combines with 6068T engine with pump codes 3710 & 3711 Cosechadoras para motores 6068T con números de bomba 3710 & 3711	6059D & T 6068D & T	26/100-95 (RE55390)	26/6110-2 (T16318)	-
8100, 8200, 8300 (010000⇄) 8100T, 8110, 8110T, 8200T, 8210, 8210 T, 8300T, 8310, 8310T, 8400, 8400T, 8410, 8410T 9100	6081H PowerTech	-	-	26/100-127 (RE50467)
8570	6076H	-	-	
8770, 8870	6101H	-	-	



## FUEL PUMPS "BOSCH TYPE" BOMBINES DE ALIMENTACIÓN "TIPO BOSCH"



See page 142-143 for the photos of the parts shown below. / Para las fotos de los artículos mostrados más abajo, ver página 142-143.

Tractors <i>Tractores</i>	Engine <i>Motor</i>	Fuel Pump <i>Bombín de alimentación</i>	Gasket <i>Junta</i>	Hand Primer <i>Bomba de cobado</i>		
		1	2	3		
<b>6 cylinder engines / Motores 6 cilindros</b>						
4050E 4250, 4450	6466T	<b>26/100-131</b> (RE20042)	<b>26/6110-5</b> (R67879, R520574)	<b>26/100-150 P</b> (R70135) Early design steel <i>Primeros modelos acero</i>		
4055 4255, 4455	6076T					
4430 4630	6404T 6404A	<b>26/100-150</b> (AR63831)				
4440 (↔068358) 4640 (↔069689)	6466T 6466A	<b>26/100-131</b> (RE20042)				
4440 (068359↔) 4640 (069690↔) 4650						
4755 (↔165526)	6076A	<b>26/100-136</b> (RE46248, RE46249)				
4755 (165527↔)		<b>26/100-133</b> (RE35142, RE524475)				
4760						
4840	6466A	<b>26/100-135</b> (AR58812, AR89955)			<b>26/100-142 P</b> (RE48048) Early design Aluminium <i>Primeros modelos Aluminio</i>	
4850	6466A	<b>26/100-133</b> (RE35142, RE524475)				
4955, 4960	6076A					
6030 7520	6531A	<b>26/100-135</b> (AR58812, AR89955)				
7020 (335846↔)	6404A	<b>26/100-150</b> (AR63831)				
7800	6076T	<b>26/100-136</b> (RE46248, RE46249)				
7710, 7810 (USA) (↔089999)	6081T PowerTech	<b>26/100-137</b> (RE46252)				<b>26/100-139 P</b> (RE65265) Later design <i>Últimos modelos</i>
8100, 8200, 8300 (↔009999)	6076H					
8100, 8200, 8300 (010000↔) 8100T, 8110, 8110T, 8200T, 8210, 8210T, 8300T, 8310, 8310T	6081H PowerTech	<b>26/100-138</b> (RE46375)				
8400, 8400T, 8410, 8410T 9100						
8430, 8440 8630, 8640	6466A 8619A	<b>26/100-135</b> (AR58812, AR89955)				
8450 8650		<b>26/100-133</b> (RE35142, RE524475)				
8560 (↔499999) 8760	6076H 6101H					
8560 (500000↔), 8570	6076H	<b>26/100-137</b> (RE46252)				
8770, 8870	6101H	<b>26/100-138</b> (RE46375)				

Part numbers are quoted for reference purposes only.  
 Our parts and accessories are not original.

**"THE RELIABLE SERVICE"**

Las referencias originales tienen un propósito identificativo. Nuestras piezas no son originales

## INLINE FUEL FILTERS PREFILTROS DE GASOIL EN LINEA

Tractors <i>Tractores</i>	Fuel Filter <i>Filtro a combustible</i>
<b>3 cylinder engines / Motores 3 cilindros</b>	
1350, 1550, 1750, 1850, 1850N, 1950, 1950N 2155, 2355N	<b>60/100-67</b> (AL67975)
5215, 5315	<b>60/111-97</b> (AL153517)
<b>4 cylinder engines / Motores 4 cilindros</b>	
2250, 2355, 2450, 2555, 2650, 2650N, 2755, 2850, 2855N	<b>60/100-67</b> (AL67975)
5415 (EU), 5425 (MEX), 5515, 5620, 5625 (MEX), 5720, 5725 (MEX), 5820 6020, 6020SE, 6120, 6120SE, 6220, 6220SE, 6320, 6320SE, 6410 (EU), 6420, 6420S With Bosch VP44 injection pump <i>Con bomba a inyección Bosch VP44</i>	<b>60/111-97</b> (AL153517)
<b>6 cylinder engines / Motores 6 cilindros</b>	
2955, 3050, 3055, 3150 (ES), 3155, 3255, 3350, 3650	<b>60/100-67</b> (AL67975)
4050, 4055, 4250, 4255, 4450, 4455, 4555, 4560, 4650, 4755, 4760, 4850, 4955, 4960	<b>60/111-277</b> (AR103220)
6610, 6620, 6810, 6820, 6910, 6910S, 6920, 6920S 7320 (⇨012450 Bosch VP44 injection pump) <i>Bomba a inyección Bosch VP44</i>	<b>60/111-97</b> (AL153517)
7420 & 7520 (⇨012453 Bosch VP44 injection pump) <i>Bomba a inyección Bosch VP44</i>	
7200, 7210, 7400, 7405, 7410, 7500, 7510, 7600, 7610, 7700, 7710 (⇨089999), 7800, 7810 (⇨089999), 8100, 8100T, 8110, 8110T, 8200, 8200T, 8210, 8210T, 8300, 8300T, 8310, 8310T, 8420 (CIS version), 8450, 8650	<b>60/111-277</b> (AR103220)



60/100-67



60/111-97



60/111-277

## ELECTRIC FUEL PUMPS BOMBAS ELÉCTRICAS DE ALIMENTACIÓN



See page 142-143 for the photos of the parts shown below. / Para las fotos de los artículos mostrados más abajo, ver página 142-143.

Tractors <i>Tractores</i>	Engine <i>Motor</i>	Fuel sender pump <i>Bomba de alimenta.</i>	Base Filter <i>Filtro de bomba</i>	Filter head pump <i>Soporte de bomba</i>	In Line Fuel Pump <i>Bomba de alimenta. en línea</i>
		1	2	3	4
<b>3 cylinder engines / Motores 3 cilindros</b>					
5215, 5315 (↔205094)	3029T PowerTech	-	-	-	26/100-115 (AL155607) 26/100-128 (AL171434) Service Kit / Juego Sustitución
5215, 5315 (205095↔)		-	-	-	26/100-129 (AL168483)
5300 (EU), 5300N	3029D	-	-	-	26/100-130 (AH130127)
5400 (EU), 5400N (EU)	3029T	-	-	-	
5310 (EU), 5310N (EU)	3029D PowerTech	-	-	-	
5410 (EU), 5410N	3029T PowerTech	-	-	-	
<b>4 cylinder engines / Motores 4 cilindros</b>					
5500 (EU), 5500N (EU)	4039T	-	-	-	26/100-130 (AH130127)
5510 (EU), 5510N (EU)	4045T PowerTech	-	-	-	
5415 (EU), 5515 (↔205103)	4045D & T PowerTech	-	-	-	26/100-115 (AL155607) 26/100-128 (AL171434) Service Kit / Juego Sustitución
5415 (EU), 5515 (205104↔) 5425 (MEX), 5603 (USA), 5615 (EU), 5625 (MEX), 5625 (USA), 5725		-	-	-	26/100-129 (AL168483)
5620, 5720, 5820 (↔443511)		-	-	-	26/100-115 (AL155607) 26/100-128 (AL171434) Service Kit / Juego Sustitución
5620, 5720, 5820 (443512↔)		-	-	-	26/100-129 (AL168483)

## ELECTRIC FUEL PUMPS BOMBAS ELÉCTRICAS DE ALIMENTACIÓN



See page 142-143 for the photos of the parts shown below. / Para las fotos de los artículos mostrados más abajo, ver página 142-143.

Tractors <i>Tractores</i>	Engine <i>Motor</i>	Fuel sender pump <i>Bomba de alimenta.</i>	Base Filter <i>Filtro de bomba</i>	Filter head pump <i>Soporte de bomba</i>	In Line Fuel Pump <i>Bomba de alimenta. en línea</i>	
		1	2	3	4	
<b>4 cylinder engines / Motores 4 cilindros</b>						
6100, 6100SE	4045D	26/100-90 (AL78405)	26/100-90 F	-	-	
6200, 6200L, 6200SE, 6300, 6300L, 6300SE	4039T			-	-	
6400, 6400L, 6400SE, 6400SP (TP001), 6500, 6500L	4045T			-	-	
6010, 6010SE	4045D PowerTech			-	-	
6110, 6110L, 6110SE, 6205, 6210, 6210L, 6210SE, 6310, 6310L, 6310S, 6310SE, 6400SP (TP054), 6405 (USA), 6410, 6410L, 6410S, 6410SE, 6415 (MEX), 6510L, 6510S	4045T PowerTech			-	-	
6310 (EU 4045TLA50), 6410 (EU 4045TLA51)				26/100-116 (RE509350)	-	
6020, 6020SE, 6120, 6120L, 6120SE, 6215, 6220, 6220L, 6220SE (↔443675) 6425 (MEX)	4045D & T PowerTech			-	26/100-115 (AL155607) Tier II 26/100-128 (AL171434) Service Kit / Juego Sustitución	
6020, 6020SE, 6120, 6120L, 6120SE, 6215, 6220, 6220L, 6220SE (443676↔)				-	26/100-129 (AL168483) Tier II	
6320, (EU 4045HLA70), 6420 & 6420L (4045HLA72)				26/100-116 (RE509350)	-	
6320, 6320L, 6320SE, 6420, 6420L, 6420SE, 6520L (↔443675)				-	26/100-115 (AL155607) Tier II 26/100-128 (AL171434) Service Kit / Juego Sustitución	
6320, 6320L, 6320SE, 6420, 6420L, 6420SE, 6520L (443676↔)	4045H PowerTech			-	26/100-129 (AL168483) Tier II	
6420S (4045HLA73)				-	26/100-116 (RE509350)	-
6415 (USA), 6420S (↔443675)				-	-	26/100-115 (AL155607) Tier II 26/100-128 (AL171434) Service Kit / Juego Sustitución

Part numbers are quoted for reference purposes only.  
 Our parts and accessories are not original.

**"THE RELIABLE SERVICE"**

Las referencias originales tienen un propósito identificativo. Nuestras piezas no son originales.

## ELECTRIC FUEL PUMPS BOMBAS ELÉCTRICAS DE ALIMENTACIÓN



See page 142-143 for the photos of the parts shown below. / Para las fotos de los artículos mostrados más abajo, ver página 142-143.

Tractors <i>Tractores</i>	Engine <i>Motor</i>	Fuel sender pump <i>Bomba de alimenta.</i>	Base Filter <i>Filtro de bomba</i>	Filter head pump <i>Soporte de bomba</i>	In Line Fuel Pump <i>Bomba de alimenta. en línea</i>
		1	2	3	4
<b>4 cylinder engines / Motores 4 cilindros</b>					
6415 (USA), 6420S (443676⇨)	4045H PowerTech	-	-	-	
6130, 6225, 6230, 6325, 6330, 6425 (EU), 6430, 6230PR (USA), 6330PR (USA), 6430PR (USA)	4045H PowerTech E	-	-	-	26/100-129 (AL168483) Tier II
6230PR, 6330PR, 6430PR	4045H PowerTech Plus	-	-	-	
<b>6 cylinder engines / Motores 6 cilindros</b>					
6506	6068D	26/100-90 (AL78405)	26/100-90 F	-	-
6600	6059T			-	-
6800, 6900	6068T			-	-
6505, 6510, 6510SE	6068D PowerTech			-	-
6605 (USA), 6610, 6610SE, 6810, 6910	6068T PowerTech			-	-
6610 (6068TLA50), 6810 (6068TL051), 6910 (6068TLA52)	6068T PowerTech			-	-
6910S (6068TLA53)		-	-		-
6515, 6520, 6520SE, 6715 (⇨443618)	6068D & T PowerTech	26/100-90 (AL78405)	26/100-90 F	-	26/100-115 (AL155607) Tier II
6515, 6520, 6520SE, 6715 (⇨443619)				-	26/100-128 (AL171434) Service Kit / Juego Sustitución
6620 (6068HLA70)	6068H PowerTech	-	-	26/100-116 (RE509350)	-
6820 (6068HLA71), 6920 (6068HLA72), 6920S (6068HLA73)		-	-		-
6615 (USA), 6620, 6620SE, 6820, 6920, 6920S (⇨443618)		6068D, T & H PowerTech	-		-
					26/100-128 (AL171434) Service Kit / Juego Sustitución

Part numbers are quoted for reference purposes only.  
 Our parts and accessories are not original.

**"THE RELIABLE SERVICE"**

Las referencias originales tienen un propósito identifica-  
 tivo. Nuestras piezas no son originales.

## ELECTRIC FUEL PUMPS BOMBAS ELÉCTRICAS DE ALIMENTACIÓN



See page 142-143 for the photos of the parts shown below. / Para las fotos de los artículos mostrados más abajo, ver página 142-143.

Tractors <i>Tractores</i>	Engine <i>Motor</i>	Fuel sender pump <i>Bomba de alimenta.</i>	Base Filter <i>Filtro de bomba</i>	Filter head pump <i>Soporte de bomba</i>	In Line Fuel Pump <i>Bomba de alimenta. en línea</i>
		1	2	3	4
<b>6 cylinder engines / Motores 6 cilindros</b>					
6615 (USA), 6620, 6620SE, 6820, 6920, 6920S (443619⇔) 6920SE	6068D, T & H PowerTech	-	-	-	26/100-129 (AL168483) Tier II
6525, 6530, 6630, 6830, 6930	6068H PowerTech E	-	-	-	26/100-129 (AL168483)
6530PR, 6630PR, 6830PR, 6930PR	6068H PowerTech Plus	-	-	-	26/100-129 (AL168483)
7220 (⇔012450)		26/100-90 (AL78405)	26/100-90 F	-	-
7220 & 7320 (012451⇔034662) 7420 (USA) & 7520 (USA) (012453⇔034662)	6068H PowerTech	-	-	-	26/100-115 (AL155607) Tier II 26/100-128 (AL171434) Service Kit / Juego Sustitución
7220, 7320, 7420 (USA), 7520 (USA) (034663⇔)		-	-	-	26/100-129 (AL168483) Tier II
7220, 7320, 7420 (USA), 7520 (USA) (6068HRW01)		-	-	26/100-116 (RE509350)	-
7130, 7230, 7330, 7430, 7530 7130PR, 7230PR, 7330PR, 7430PR (USA)	6068H PowerTech E	-	-	-	26/100-129 (AL168483)
7130PR, 7230PR, 7330PR, 7430PR, 7530PR	6068H PowerTech Plus	-	-	-	26/100-129 (AL168483)
7420 (MEX), 7425, 7520 (MEX), 7525	6068T PowerTech	-	-	-	26/100-115 (AL155607) Tier II 26/100-128 (AL171434) Service Kit / Juego Sustitución
7500 (⇔001336)	6068T	26/100-90 (AL78405)	26/100-90 F	-	-
7500 (001335⇔001914)	6068T PowerTech	-	-	-	-
7700	6076T	-	-	-	26/100-94 (RE55044)

Part numbers are quoted for reference purposes only. Our parts and accessories are not original.

**"THE RELIABLE SERVICE"**

Las referencias originales tienen un propósito identificativo. Nuestras piezas no son originales.

**FUEL PUMPS**  
**BOMBAS DE ALIMENTACIÓN**

26/100-21 	26/100-26 	26/100-29 	26/100-68 
26/100-90 	26/100-90F 	26/100-94 	26/100-95 
26/100-115 	26/100-116 	26/100-121 	26/100-122 
26/100-123 	26/100-124 	26/100-125 	26/100-126 
26/100-127 	26/100-128 	26/100-129 	26/100-130 

Part numbers are quoted for reference purposes only.  
 Our parts and accessories are not original.

**"THE RELIABLE SERVICE"**

Las referencias originales tienen un propósito identificativo. Nuestras piezas no son originales.

**FUEL PUMPS**  
**BOMBAS DE ALIMENTACIÓN**

<p>26/100-131</p> 	<p>26/100-133</p> 	<p>26/100-135</p> 	<p>26/100-136</p> 
<p>26/100-137</p> 	<p>26/100-138</p> 	<p>26/100-139 P</p> 	<p>26/100-142 P</p> 
<p>26/100-150</p> 	<p>26/100-150 P</p> 	<p>26/6110-1</p> 	<p>26/6110-2</p> 
<p>26/6110-3</p> 	<p>26/6110-4</p> 	<p>26/6110-5</p> 	

Part numbers are quoted for reference purposes only.  
 Our parts and accessories are not original.

**"THE RELIABLE SERVICE"**

Las referencias originales tienen un propósito identificativo. Nuestras piezas no son originales.



## FUEL TANKS AND RELATED PARTS DEPÓSITOS GASOIL Y ACCESORIOS RELACIONADOS



See page 152-153 for the photos of the parts shown below. / Para las fotos de los artículos mostrados más abajo, ver página 152-153.

Tractors <i>Tractores</i>	Engine <i>Motor</i>	Fuel tank <i>Depósito</i>	Fuel Tank Cap <i>Tapón depós.</i>	Grommet <i>Junta</i>	Fuel Sender Un. <i>Ahorador depós.</i>	Fuel Tap <i>Grifo depósito</i>	Drain Tap <i>Grifo drenaje</i>
		1	2	3	4	5	6
<b>3 cylinder engines / Motores 3 cilindros</b>							
820, 830 (USA), 920 1020 (EU→085099), 1020 (USA)	3152D						
830 (EU), 930 1020 (EU 085100→), 1030 (DE), 1030 (ES), 1030OU, 1035, 1035EF 1120, 1130		26/6099-1 (AR72910)		26/6105-1 (R39613, R82873)	26/172-6 (AT31619)		26/103-17 (AT13740)
930VU, 1030VU, 1035EV, 1130VU	3164D	-		-	-		-
1520		-	26/105-5 (AT20911)			26/103-7 (R34656)	-
1530 2040 (→349999)		26/6099-1 (AR72910)		26/6105-1 (R39613, R82873)	26/172-6 (AT31619)		26/103-17 (AT13740)
1630 (DE) 2240 (→349999)		26/6099-2 (AR72868)					-
1630 (ES), 1630OU, 1635, 1635EF		-					-
1630VU, 1635EV		-					-
840, 940, 1040, 1140 2040 (USA 350000→), 2240 (USA 350000→) 2150, 2255 Plastic fuel tank <i>Depósito plástico</i>		-	26/105-9 (AL34678)	26/6105-2 (L56921)	26/172-113 (AL38313)		
940V, 1040V, 1140V	3179D	-					
1040 (DE), 1140 (DE) Metal fuel tank <i>Depósito metálico</i>		-	26/105-5 (AT20911)	26/6105-1 (R39613, R82873)	26/172-6 (AT31619)	26/103-7 (R34656)	
1350, 1550, 1750, 1850, 1850N, 2155 (→621999)		-		26/6105-2 (L56921)	26/172-113 (AL38313)		26/103-17 (AT13740)
1350, 1550, 1750, 1850, 1850N, 2155 (622000→719999)		-	26/105-9 (AL34678)	26/6105-3 (L61773)			
1350, 1550, 1750, 1850, 1850N, 2155 (720000→)		-		26/6105-4 (L61774)	26/172-117 (AL60502)		
1950, 1950N 2355N	3179T						

Part numbers are quoted for reference purposes only.  
 Our parts and accessories are not original.

**"THE RELIABLE SERVICE"**

Las referencias originales tienen un propósito identificativo. Nuestras piezas no son originales.

## FUEL TANKS & RELATED PARTS DEPÓSITOS GASOIL Y ACCESORIOS RELACIONADOS



See page 152-153 for the photos of the parts shown below. / Para las fotos de los artículos mostrados más abajo, ver página 152-153.

Tractors <i>Tractores</i>	Engine <i>Motor</i>	Fuel tank <i>Depósito</i>	Fuel Tank Cap <i>Tapón depós.</i>	Grommet <i>Junta</i>	Fuel Sender Un. <i>Ahorador depós.</i>	Fuel Tap <i>Grifo depósito</i>	Drain Tap <i>Grifo drenaje</i>
		1	2	3	4	5	6
<b>3 cylinder engines / Motores 3 cilindros</b>							
5103 (AUS), 5103 (IND), 5103 (USA 007775↔), 5103E (IND↔002538), 5103S (Asia 005913↔), 5103S (IND 005913↔), 5104, 5203 (AUS), 5203 (Asia 002848↔), 5203 (IND 002848↔), 5203 (USA 003173↔), 5203S (IND 000228↔), 5204 (IND), 5303 (AUS), 5303 (EU), 5303 (MEX 000235↔), 5303 (North Africa), 5303 (South America), 5303 (TUR 000014↔), 5303 (USA 003918↔), 5303 (ZA), 5310 (Asia 007116↔020616), 5310 (IND 007116↔), 5310S (IND↔000239), 5403 (AUS), 5403 (EU), 5403 (North Africa), 5403 (South America), 5403 (TUR 000206↔), 5403 (USA), 5403 (ZA), 5503	3029D & 3029D & T PowerTech	-	26/105-50 (AL113086)  26/105-51 (AL113087) With lock & keys Con cierre y llaves	-	-	-	-
5400N (USA)	3029T	-	-	-	-	-	-
5210, 5310 (USA), 5310N (USA) (Without cab, (Fuel tank marked RE5736 ↔xxxxxx sin cab., depósito RE57360) (↔xxxxxx With cab / con cab.)	3029D & T PowerTech	-	26/105-52 (RE60714)	-	-	-	26/103-17 (AT13740)
5200, 5210, 5300 (USA), 5310 (USA), 5400 (USA) (Without cab, Fuel tank marked R194396 / Sin cab., depósito R194396)	3029D & T & 3029D & T PowerTech	-	26/105-50 (AL113086)  26/105-51 (AL113087) With lock & keys Con cierre y llaves	-	-	-	-
5220, 5320 (Except Straddle Mount Excepto montaje Straddle ↔xxxxxx) 5320N (With cab / con cab.)	3029D & T PowerTech	-	-	-	-	-	26/103-17 (AT13740)

Part numbers are quoted for reference purposes only.  
 Our parts and accessories are not original.

**"THE RELIABLE SERVICE"**

Las referencias originales tienen un propósito identificativo. Nuestras piezas no son originales.

## FUEL TANKS AND RELATED PARTS DEPÓSITOS GASOIL Y ACCESORIOS RELACIONADOS



See page 152-153 for the photos of the parts shown below. / Para las fotos de los artículos mostrados más abajo, ver página 152-153.

Tractors <i>Tractores</i>	Engine <i>Motor</i>	Fuel tank <i>Depósito</i>	Fuel Tank Cap <i>Tapón depós.</i>	Grommet <i>Junta</i>	Fuel Sender Un. <i>Ahorador depós.</i>	Fuel Tap <i>Grifo depósito</i>	Drain Tap <i>Grifo drenaje</i>
		1	2	3	4	5	6
<b>4 cylinder engines / Motores 4 cilindros</b>							
2020 (EU)	4202D						
1830, 2030 (DE) (⇔294961) 2030 (ES), 2030OU, 2035, 2035EF 2120	4219D	26/6099-2 (AR72868)					26/103-17 (AT13740)
2020 (USA)	4202D				26/172-6 (AT31619)	26/103-7 (R34656)	
2030 (USA)	4219D						
2130 (DE) (⇔294961) 2130 (USA)		26/6099-3 (AL23213, AR72951)	26/105-5 (AT20911)	26/6105-1 (R39613, R82873)			
1830, 2030 (DE), 2130 (DE) (294962⇔)	4239D				26/172-111 (AL29847)		
2130 (ES), 2135		26/6099-2 (AR72868)					26/103-17 (AT13740)
1640 (DE) 2040 (DE), 2140 (DE) Metal fuel tank <i>Depósito metálico</i>					26/172-6 (AT31619)	26/103-7 (R34656)	
	4239D & T						
1640, 1840 2040, 2040S, 2140 Plastic fuel tank <i>Depósito plástico</i>		26/6099-10 (AL38853, AL38858)	26/105-9 (AL34678)	26/6105-2 (L56921)	26/172-15 (AL68201)		
2440 (USA⇔340999)	4219D			26/6105-1 (R39613, R82873)	26/172-6 (AT31619)		
2440 (USA 341000⇔)			26/105-5 (AT20911)			26/103-7 (R34656)	
2510	4202D						
2520	4219D						
2250CS, 2450CS, 2450F, 2650CS							
2250TSS, 2355, 2450 (ES), 2450TSS, 2555 Main tank / <i>Depósito principal</i>					26/172-15 (AL68201)		26/103-17 (AT13740)
	4239D		26/105-9 (AL34678)	26/6105-5 (L57547)			
2250TSS, 2355, 2450 (ES), 2450TSS, 2555 Main tank with an additional fuel tank <i>Depósito principal y suplementario.</i>							

Part numbers are quoted for reference purposes only.  
Our parts and accessories are not original.

**"THE RELIABLE SERVICE"**

Las referencias originales tienen un propósito identificativo. Nuestras piezas no son originales.

## FUEL TANKS & RELATED PARTS

### DEPÓSITOS GASOIL Y ACCESORIOS RELACIONADOS



See page 152-153 for the photos of the parts shown below. / Para las fotos de los artículos mostrados más abajo, ver página 152-153.

Tractors <i>Tractores</i>	Engine <i>Motor</i>	Fuel tank <i>Depósito</i>	Fuel Tank Cap <i>Tapón depós.</i>	Grommet <i>Junta</i>	Fuel Sender Un. <i>Aforador depós.</i>	Fuel Tap <i>Grifo depósito</i>	Drain Tap <i>Grifo drenaje</i>
		1	2	3	4	5	6
<b>4 cylinder engines / Motores 4 cilindros</b>							
2250TSS, 2355, 2450 (ES), 2450TSS, 2555 Additional tank / <i>Depósito suplement.</i>	4239D	-	-	-	-	-	-
2250TSS, 2450 (ES), 2450TSS Additional tank with MC1 & CC2 cabs <i>Depósito suplementario con cab. MC1 &amp; CC2</i>		-	-	-	26/172-118 (AL63554)	-	-
2650 (ES), 2650F, 2650N, 2650TSS, 2755, 2850 (DE), 2850 (ES), 2855N Main tank / <i>Depósito principal</i>	4239T	-	26/105-9 (AL34678)	26/6105-5 (L57547)	26/172-15 (AL68201)	-	-
2650 (ES), 2650TSS, 2755, 2850 (DE), 2850 (ES) Main tank with an additional fuel tank <i>Depósito principal y suplementario.</i>		-	-	-	-	-	26/103-17 (AT13740)
2650 (ES), 2850 (ES) Additional tank / <i>Depósito suplementario</i>		-	-	-	-	-	-
2650 (ES), 2850 (ES) Additional fuel tank with SG2 cab <i>Depósito suplementario con cab. SG2</i>		-	-	-	-	-	-
2650TSS, 2755, 2850 (DE) Additional tank / <i>Depósito suplementario</i>		-	-	-	-	26/172-118 (AL63554)	-
2650TSS, 2650N, 2850 (DE) Additional tank with MC1 & CC2 cabs <i>Depós. suplement. con cab. MC1 &amp; CC2</i>		-	-	-	-	-	-
2350, 2550	4239D	26/6099-10 (AL35852, AL38858)	26/105-9 (AL34678)	26/6105-2 (L56921)	26/172-15 (AL68201)	-	-
2750	4239T	-	-	-	-	-	-
2630 2640 (↔340999)	4276D	-	26/105-5 (AT20911)	26/6105-1 (R39613, R82873)	26/172-6 (AT31619)	26/103-7 (R34656)	-
2640 (341000↔)		-			-		-
3010, 3020	4270D	-	-	-	-	-	26/103-17 (AT13740)

Part numbers are quoted for reference purposes only.  
Our parts and accessories are not original.

**"THE RELIABLE SERVICE"**

Las referencias originales tienen un propósito identificativo. Nuestras piezas no son originales.

## FUEL TANKS AND RELATED PARTS DEPÓSITOS GASOIL Y ACCESORIOS RELACIONADOS



See page 152-153 for the photos of the parts shown below. / Para las fotos de los artículos mostrados más abajo, ver página 152-153.

Tractors <i>Tractorés</i>	Engine <i>Motor</i>	Fuel tank <i>Depósito</i>	Fuel Tank Cap <i>Tapón depósi.</i>	Grommet <i>Junta</i>	Fuel Sender Un. <i>Alorador depós.</i>	Fuel Tap <i>Grifo depósito</i>	Drain Tap <i>Grifo drenaje</i>
		1	2	3	4	5	6
<b>4 cylinder engines / Motores 4 cilindros</b>							
5500 (USA) Without cab. Fuel tank marked R194397 <i>Sin cab. Depósito marcado R194397</i>	4039T	-	26/105-50 (AL113086)	-	-	-	-
5410 (USA) Without cab. Fuel tank marked R194396 <i>Sin cab. Depósito marcado R194396</i> 5510 (USA) Without cab. Fuel tank marked R194397 <i>Sin cab. Depósito marcado R194397</i>	4045D & T PowerTech	-	26/105-51 (AL113087) With lock & keys <i>Con cierre y llaves</i>	-	-	-	-
5500N	4039T	-	26/105-52 (RE60714)	-	-	-	26/103-17 (AT13740)
5410 (USA) (↔xxxxx ...) Without cab. Fuel tank marked R57630 <i>Sin cab. Depósito marcado RE57630</i> 5510 (USA) (↔xxxxx ...) Without cab. Fuel tank marked R62999 <i>Sin cab. Depósito marcado RE62999</i>	4045D & T PowerTech	-		-	-	-	
5410 (USA), 5510 (USA), 5510N (USA) (↔xxxxxx With cab / <i>Con cab.</i> )		-		-	-	-	
5420, 5520 Except Straddle Mount <i>Excepto montaje Straddle</i> (↔xxxxxx) 5420N, 5520N (With cab / <i>Con cab.</i> )		-		-	-	-	
5403 (BR), 5415 (MEX), 5425 (MEX), 5603 (BR), 5605, 5615 (MEX), 5615 (TUR), 5620, 5625 (MEX)	4045D PowerTech	-	26/105-50 (AL113086)	-	-	-	-
5425 (USA), 5425N (USA), 5525, 5525N, 5603 (USA), 5625 (USA), 5705, 5715, 5720, 5725, 5820	4045T PowerTech	-	26/105-51 (AL113087) With lock & keys <i>Con cierre y llaves</i>	-	-	-	-
6100, 6100SE	4045D	-	-	-	-	-	-
6200, 6200L, 6200SE, 6300, 6300L, 6300SE	4039T	-	-	-	-	-	-
6400, 6400L, 6400SE, 6500, 6500L	4045T	-	-	-	-	-	-
6010, 6010SE	4045D PowerTech	-	-	-	-	-	-

Part numbers are quoted for reference purposes only.  
Our parts and accessories are not original.

**"THE RELIABLE SERVICE"**

Las referencias originales tienen un propósito identificativo. Nuestras piezas no son originales.

## FUEL TANKS AND RELATED PARTS DEPÓSITOS GASOIL Y ACCESORIOS RELACIONADOS



See page 152-153 for the photos of the parts shown below. / Para las fotos de los artículos mostrados más abajo, ver página 152-153.

Tractors <i>Tractores</i>	Engine <i>Motor</i>	Fuel tank <i>Depósito</i>	Fuel Tank Cap <i>Tapón depós.</i>	Grommet <i>Junta</i>	Fuel Sender Un. <i>Aforador depós.</i>	Fuel Tap <i>Grifo depósito</i>	Drain Tap <i>Grifo drenaje</i>
		1	2	3	4	5	6
<b>4 cylinder engines / Motores 4 cilindros</b>							
6010, 6010SE, 6020, 6020SE, 6110, 6110L, 6110SE, 6120, 6120L, 6120SE, 6205, 6210, 6210L, 6210SE, 6215, 6220, 6220L, 6220SE, 6310, 6310L, 6310S, 6310SE, 6320SE (↔799999), 6405, 6410, 6410L, 6410S, 6410SE, 6415 (BR), 6415 (MEX), 6425 (MEX), 6510L, 6510S	4045D & T PowerTech	-	26/105-50 (AL113086)  26/105-51 (AL113087) With lock & keys Con cierre y llaves	-	-	-	-
6320, 6320L, 6320SE (800000↔), 6415 (USA), 6420, 6420L, 6420S, 6420SE, 6520L	4045H PowerTech	-	-	-	-	-	-
6403 (↔001731)	4045T PowerTech	-	26/105-52 (RE60714)	-	-	-	-
6403 (001732↔)	-	-	-	-	-	-	-
6130, 6225, 6230, 6325, 6330, 6425 (EU), 6430, 6230PR (USA), 6330PR (USA), 6430PR (USA)	4045H PowerTech E	-	26/105-50 (AL113086)  26/105-51 (AL113087) With lock & keys Con cierre y llaves	-	-	-	-
6230PR, 6330PR, 6430PR	4045H PowerTech Plus	-	-	-	-	-	-
<b>6 cylinder engines / Motores 6 cilindros</b>							
3120	6303D	-	-	26/6105-1 (R39813, R82873)	-	-	-
2840, 3030, 3130, 3135	6329D	-	26/105-5 (AT20911)	-	26/172-6 (AT31619)	26/103-7 (R34656)	-
3040, 3140 (DE) Metal tank/ depósito metal	-	-	-	-	-	-	-
2940, 2950, 3040, 3140, 334 Main plastic tank Depósito principal en plástico	6359D	-	-	-	-	-	-
3040, 3140 (DE) Main plastic tank with additional tank Dép. princ. en plástico y dep. suplem. 3150 (USA), 3640, 3640S	-	-	26/105-9 (AL34678)	26/6105-2 (L56921)	-	-	26/103-17 (AT13740)
3040, 3140 (DE), 3150 (USA), 3640, 3640S Addit. tank / Depós. suplement.	6359D & T	-	-	-	26/172-118 (AL63554)	-	-
2955, 3050, 3055, 3150 (ES), 3350 (DE), 3350 (ES) Main tank / Depósito principal	-	-	26/105-9 (AL34678)	26/6105-5 (L57547)	-	-	-

Part numbers are quoted for reference purposes only.  
 Our parts and accessories are not original.

**"THE RELIABLE SERVICE"**

Las referencias originales tienen un propósito identificativo. Nuestras piezas no son originales.

## FUEL TANKS AND RELATED PARTS DEPÓSITOS GASOIL Y ACCESORIOS RELACIONADOS



See page 152-153 for the photos of the parts shown below. / Para las fotos de los artículos mostrados más abajo, ver página 152-153.

Tractors <i>Tractores</i>	Engine <i>Motor</i>	Fuel tank <i>Depósito</i>	Fuel Tank Cap <i>Tapón depós.</i>	Grommet <i>Junta</i>	Fuel Sender Un. <i>Ahorador depós.</i>	Fuel Tap <i>Grifo depósito</i>	Drain Tap <i>Grifo drenaje</i>
		1	2	3	4	5	6
<b>6 cylinder engines / Motores 6 cilindros</b>							
2955, 3050, 3155, 3255, 3350 (DE), 3650 Main tank with additional tank <i>Depósito principal y suplementario</i>	6359D	-	26/105-9 (AL34678)	26/6105-5 (L57547)	-	-	26/103-17 (AT13740)
2955, 3050, 3155, 3255, 3350 (DE), 3650 Additional tank / <i>Depósito suplement</i>		-	-	-	26/172-118 (AL63554)	-	
4000, 4010, 4020 4040 (USA), 4230	6404D	-		-	-	26/103-7 (R36456)	
4030	6329D	-		-	-	26/103-7 (R36456) (006700⇔)	
4040 (EU), 4040S, 4050	6359T	-		-	-		
4050, 4240	6466D	-		-	-		
4050E, 4240S, 4250, 4350, 4440, 4450, 4455 (MEX)	6466T	-	26/105-5 (AT20911)	-	-	26/103-7 (R36456)	
4055, 4255, 4455,	6076T	-		-	-		26/103-17 (AT13740)
4320, 4430	6404T	-		-	-		
4520		-		-	-		
4620	6404A	-		-	-		
4630		-		-	-		
4640, 4650, 4840, 4850	6466A	-		-	-	26/103-7 (R36456)	
4555, 4580	6076T	-		-	-		
4755, 4760, 4955, 4960	6076A	-		-	-		
6506	6068D	-	26/105-50 (AL113086)	-	-	-	-
6600	6059T	-		-	-	-	-
6800, 6900	6068T	-	26/105-51 (AL113087) With lock & keys <i>Con cierre y llaves</i>	-	-	-	-
6603 (⇔001617)	6068T PowerTech	-	26/105-52 (RE60714)	-	-	-	-

Part numbers are quoted for reference purposes only.  
 Our parts and accessories are not original.

**"THE RELIABLE SERVICE"**

Las referencias originales tienen un propósito identificativo.  
 Nuestras piezas no son originales.

## FUEL TANKS AND RELATED PARTS DEPÓSITOS GASOIL Y ACCESORIOS RELACIONADOS



See page 152-153 for the photos of the parts shown below. / Para las fotos de los artículos mostrados más abajo, ver página 152-153.

Tractors <i>Tractores</i>	Engine <i>Motor</i>	Fuel tank <i>Depósito</i>	Fuel Tank Cap <i>Tapón depósi.</i>	Grommet <i>Junta</i>	Fuel Sender Un. <i>Alorador depós.</i>	Fuel Tap <i>Grillo depósito</i>	Drain Tap <i>Grillo drenaje</i>
		1	2	3	4	5	6
<b>6 cylinder engines / Motores 6 cilindros</b>							
6603 (001618↔)	6068T PowerTech	-	-	-	-	-	-
6505, 6510, 6510SE, 6605, 6610, 6610SE, 6615 (BR), 6810, 6910, 6910S, 6920SE 6515, 6520, 6520SE, 6620, 6715 (↔799999)	6068D & T PowerTech	-	<b>26/105-50</b> (AL113086)	-	-	-	-
6515, 6520, 6520SE, 6620, 6620 SE, 6715 (800000↔) 6615 (USA), 6820, 6920, 6920S	6068H PowerTech	-	<b>26/105-51</b> (AL113087) With lock & keys <i>Con bloqueo de llave</i>	-	-	-	-
6525, 6530, 6630, 6830, 6930	6068H PowerTech E	-	-	-	-	-	-
6530PR, 6630PR, 6830PR, 6930PR	6068H PowerTech Plus	-	-	-	-	-	-
7020 (↔002699)	6404A	-	-	-	-	<b>26/103-7</b> (R36456)	-
7200	6059T	-	-	-	-	-	-
7400, 7600	6068T	-	<b>26/105-52</b> (RE60714)	-	-	-	-
7210, 7410, 7510, 7610, 7810BR	6068T PowerTech	-	-	-	-	-	-
7220, 7320, 7420 (MEX), 7420 (USA), 7425, 7505, 7515, 7520 (MEX), 7520 (USA), 7525	6068T & H PowerTech	-	<b>26/105-50</b> (AL113086)	-	-	-	-
7130, 7230, 7330, 7430, 7530 7130PR, 7230PR, 7330PR, 7430PR (USA)	6068H PowerTech E	-	<b>26/105-51</b> (AL113087) With lock & keys <i>Con cierre y llaves</i>	-	-	-	-
7130PR, 7230PR, 7330PR, 7430PR, 7530PR	6068H PowerTech Plus	-	-	-	-	-	-
7700, 7800	6076T	-	-	-	-	-	-
7710, 7810	6081T & H PowerTech	-	-	-	-	-	-
8560 (002112↔)	6076H	-	<b>26/105-52</b> (RE60714)	-	-	-	-
8760 (003830↔)	6101H	-	-	-	-	-	-
8960 (002677↔)	Cummins NTA 855	-	-	-	-	-	-

Part numbers are quoted for reference purposes only.  
Our parts and accessories are not original.

**"THE RELIABLE SERVICE"**

Las referencias originales tienen un propósito identificativo. Nuestras piezas no son originales.



**FUEL TANKS AND RELATED PARTS**  
**DEPÓSITOS GASOIL Y ACCESORIOS RELACIONADOS**




<p>26/103-7</p> 	<p>26/103-17</p> 	<p>26/105-5</p> 	<p>26/105-9</p> 
<p>26/105-50</p> 	<p>26/105-51</p> 	<p>26/105-52</p> 	
<p>26/172-6</p>  <p>A : 125mm          B : 315mm          C : 430mm</p>	<p>26/172-15</p>  <p>A : 100mm          B : 300mm          C : 470mm</p>	<p>26/172-111</p>  <p>A : 80mm          B : 430mm          C : 445mm</p>	<p>26/172-113</p>  <p>A : 100mm          B : 280mm          C : 440mm</p>
<p>26/172-117</p>  <p>A : 90mm          B : 335mm          C : 480mm</p>	<p>26/172-118</p>  <p>A : 210mm          B : 215mm          C : 315mm</p>	<p>26/6099-1</p> 	<p>26/6099-2</p> 
<p>26/6099-3</p> 	<p>26/6099-10</p> 	<p>26/6105-1</p> 	<p>26/6105-2</p> 

Part numbers are quoted for reference purposes only.  
 Our parts and accessories are not original.

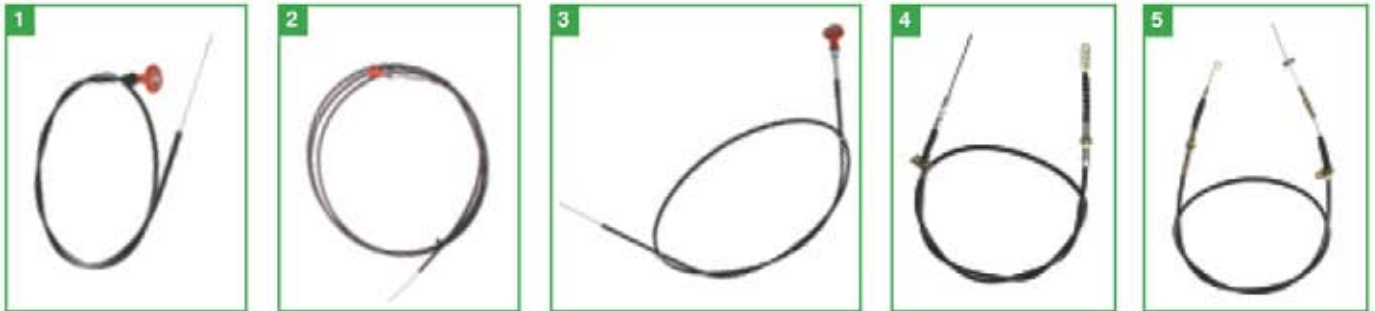
**"THE RELIABLE SERVICE"**

Las referencias originales tienen un propósito identificativo. Nuestras piezas no son originales.

**FUEL TANKS AND RELATED PARTS**  
**DEPÓSITOS GASOIL Y ACCESORIOS RELACIONADOS**

26/6105-3	26/6105-4	26/6105-5	
			

## SHUT-OFF CABLE CABLE DE PARO



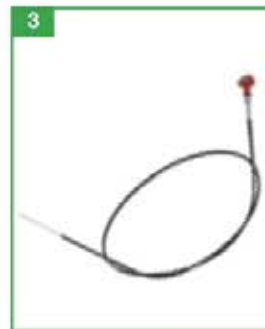
Tractors Tractores	Fig. Fig.	Shut-off Cable Cable de paro
<b>3 cylinder engines / Motores 3 cilindros</b>		
820 (EU), 920, 1020 (EU), 1120 (02494↔ Roto Diesel) 830, 930, 1030, 1035, 1130, 1530, 1630, 1635 2040 (USA), 2240	1	<b>26/107-41</b> (RE10597) (1640 mm)
820 (EU), 920, 1020 (EU), 1120 (02494↔ Bosch) 1030 (DE), 1130 (DE), 1630 (DE) (With Cab / Con Cab) 840, 940, 1040, 1140 1350, 1750V, 1850 (ES), 1850F, 1950 (ES), 1950F 2150, 2155, 2240, 2255, 2355N	2	<b>26/107-42</b> (AL120054) (2070 mm)
1030 (DE), 1130 (DE), 1630 (DE) (With Cab / Con cab, Norway & UK) 940 (DE), 1040 (DE), 1140 (DE) (Norway & UK) 1350 (Germany, Norway & UK) 1550, 1750, 1850 (DE), 1850N, 1950 (DE), 1950N	3	<b>26/107-43</b> (AL120055) (2080 mm) With Detent / Con Bloqueo
3100, 3110	4	<b>26/107-44</b> (RT7700018794) (2200 mm)
<b>4 cylinder engines / Motores 4 cilindros</b>		
2030 (USA), 2440 (341000↔), 2640 (341000↔)	1	<b>26/107-41</b> (RE10597) (1640 mm)
2020 (EU), 2120 (EU) 1830, 2030 (EU), 2035, 2130, 2135 1640, 2040, 2040S, 2140 2250, 2350, 2450, 2550CS, 2550TSS, 2650CS, 2650 (ES), 2650F, 2650N, 2650TSS, 2750, 2850 2355, 2555CS, 2555TSS, 2755, 2855N	2	<b>26/107-42</b> (AL120054) (2070 mm)
2030 (DE), 2130 (DE) (UK With Cab / Con Cab) 1640 (DE), 2040 (DE), 2040S (DE), 2140 (DE) (Finland, Norway & UK) 2250, 2450TSS, 2650N, 2650TSS, 2850 (Finland, Germany, Norway & UK)	3	<b>26/107-43</b> (AL120055) (2080 mm) With Detent / Con Bloqueo
3200, 3200X, 3210, 3210X, 3300, 3300X, 3400, 3400X 3310, 3310X, 3410, 3410X (↔004935)	4	<b>26/107-44</b> (RT7700018794) (2200 mm)
3310, 3310X, 3410, 3410X (004936↔)	5	<b>26/107-45</b> (RT7700051011) (2200 mm)

Part numbers are quoted for reference purposes only.  
 Our parts and accessories are not original.

**"THE RELIABLE SERVICE"**

Las referencias originales tienen un propósito identificativo. Nuestras piezas no son originales.

**SHUT-OFF CABLE**  
**CABLE DE PARO**



Tractors <i>Tractores</i>	Fig. <i>Fig.</i>	Shut-off Cable <i>Cable de paro</i>
<b>6 cylinder engines / Motores 6 cilindros</b>		
2840, 2940, 3040, 3140, 3340, 3640, 3640S	1	<b>26/107-41</b> (RE10597)
3120 3030, 3130, 3135 2840 (With 'T' as last digit of engine serial number / <i>Con 'T' como la última letra del n° de serie del motor</i> ) 2940 (With Cab / <i>Con Cab.</i> ), 3040, 3140, 3340, 3640, 3640S 3050, 3150, 3350, 2955, 3055, 3155, 3255 4240 (EU) & 4440 (EU) (Norway & UK ⇨427127)	2	<b>26/107-42</b> (AL120054)
3040, 3140 (DE), 3640 (Finland, Norway & UK) 3050, 3350 (DE), 3650 (Finland, Germany, Norway & UK) 4240 (EU) & 4440 (EU) (Norway & UK 427128⇨), 4240S 4055, 4255, 4350, 4455, 4555, 4650, 4755, 4850, 4955 (European version / <i>Versión Europea</i> )	3	<b>26/107-43</b> (AL120055) With Detent / <i>Con Bloqueo</i>
4430 (017500⇨), 4630 (383899⇨) 4040, 4240, 4240S, 4440, 4640 4050 (6466D), 4050E, 4350, 4450, 4450, 4650, 4850 4055, 4255, 4455, 4555, 4755, 4955 7020 (383899⇨)	6	<b>26/107-46</b> (AR77678)
<b>OEM Replaces / Reemplaza</b>		
<b>26/107-41</b> (RE10597) replaces / <i>reemplaza</i> AL24155, AR103618, AT29302, RE10596, RE169790		
<b>26/107-42</b> (AL120054) replaces / <i>reemplaza</i> AL16327, AL16817, AL24784, AL24786, AL25220, AL25221, AL25222, AL28976, AL31683, AL31685, AL31687, AL31687, AL36900, AL36901, AL36902, AL36910, AL36919, AL36920, AL36921, AL36923, AL36924, AL38885, AL38886, AL41325, AL58239, AL58240, AL58243, AL58247, AL58248, AL58258, AL120032, AR81553, AT25387, AT29303, AT29305, AT31336		
<b>26/107-45</b> (AL120055) replaces / <i>reemplaza</i> AL25223, AL28977, AL30844, AL31684, AL31686, AL31688, AL31688, AL36903, AL36905, AL36907, AL36909, AL36911, AL41337, AL58238, AL58242, AL58245, AL58246, AL58249, AL120033		

## FUEL SHUT-OFF SOLENOID SOLENOIDE DE PARO



Tractors Tractoros	Fig. Fig.	Shut-Off Solenoid Solenoido
<b>3 cylinder engines / Motores 3 cilindros</b>		
820 (USA), 1020 (USA) 1520 5200 (Stanadyne), 5300 (USA) (Stanadyne), 5310N, 5400 (USA) (Stanadyne), 5400N (USA) (Stanadyne)	1	26/7101-13 (RE37089, RE62240)
2150, 2255 3100, 3110 5200 (Lucas), 5300 (EU), 5300 (USA) (Lucas), 5300N, 5400 (EU), 5400 (USA) (Lucas), 5400N (EU), 5400N (USA) (Lucas)	2	26/7101-14 (RE22744, RE54064)
<b>4 cylinder engines / Motores 4 cilindros</b>		
2020 (USA), 2030 (USA), 2520, 3020 5415 (MEX), 5415N, 5425 (MEX), 5425N (MEX), 5615 (MEX), 5615 (TUR), 5625 (MEX), 5715, 5725, 5725N 5500 (USA) (Stanadyne), 5500N (USA) (Stanadyne), 5510N	1	26/7101-13 (RE37089, RE62240)
3200, 3200X, 3210, 3210X, 3300, 3300X, 3310, 3310X, 3400, 3400X, 3410, 3410X 5403 (BR), 5500 (EU), 5500N (EU), 5603 (BR), 5605, 5705 5500 (USA) (Lucas), 5500N (USA) (Lucas)	2	26/7101-14 (RE22744, RE54064)
6010, 6010SE, 6100, 6100SE, 6110, 6110L, 6110SE, 6200, 6200L, 6200SE, 6205, 6210, 6210L, 6210SE, 6300, 6300L, 6300SE, 6310, 6310L, 6310S, 6310SE, 6400, 6400L, 6400SE, 6400SP (TP001), 6403, 6405 (BR), 6410, 6410L, 6410S, 6410SE, 6415 (BR), 6500, 6500L, 6510L, 6510S		
6020, 6020SE, 6320, 6320L, 6320SE, 6420, 6420L, 6420SE, 6520L, 6515, 6520, 6520SE (⇒799999)		
<b>6 cylinder engines / Motores 6 cilindros</b>		
4000, 4020, 4320, 4520, 4620 5020 (025000⇒), 6030 7020 (⇒335845)	1	26/7101-13 (RE37089, RE62240)
6505, 6506, 6510, 6510SE, 6515, 6600, 6605 (BR), 6610, 6610SE, 6615 (BR), 6800, 6810, 6900, 6910 7200, 7210, 7400, 7405, 7410, 7500, 7505, 7515, 7610 7220 (6068TRW01), 7420 & 7425 & 7525 (6068TP057)	2	26/7101-14 (RE22744, RE54064)
4955, 4960 7710, 7810 8100, 8100T, 8110, 8110T, 8200, 8200T, 8210, 8210T, 8300, 8300T, 8310, 8310T, 8400, 8400T, 8410, 8410T 8560, 8570, 8760, 8770, 8870, 9100	3	26/7101-15 (R89014)

Part numbers are quoted for reference purposes only.  
 Our parts and accessories are not original.

**“THE RELIABLE SERVICE”**

Las referencias originales tienen un propósito identificativo.  
 Nuestras piezas no son originales



## INJECTOR NOZZLES TOBERAS DE INYECTOR

Tractors Tractores	Engines Motores	Injector nozzle Toberas de inyector	Nozzle N° Ref. inyector o tobera	Type Tipo
<b>3 cylinder engines / Motores 3 cilindros</b>				
310, 510, 820, 830 (USA), 920 1020 (EU↔085099), 1020 (USA)	3152D			
830 (EU), 930, 1020 (EU 085100↔), 1030, 1035, 1120, 1130, 1520, 1530, 2040 (USA↔085099)	3164D	<b>26/117-44</b> (AR89564, SE501099)	27333	Stanadyne
840, 940, 1040, 1140, 1350, 1445F, 1550, 1630, 1635, 1745F, 1750, 1845F, 1850, 1850N, 2040 (USA 350000↔), 2150, 2155, 2240, 2255	3179D			
1950, 1950N, 2345F, 2355N	3179T	<b>26/117-46</b> (RE37503, SE501100)	26993	Stanadyne
3100, 3110 5103 (IND↔108878), 5103S (Asia & IND↔108835), 5200, 5203 (Asia & IND↔108882), 5300, 5300N, 5303 (MEX), 5310 (Asia & IND↔108938)	3029D	<b>26/117-233</b> (RE36935, RE36936, SE501098)	28480 28481	Stanadyne
5203 (Asia & IND 108883↔137677), 5203S (IND↔137895), 5310 (Asia 108937↔), 5310 (IND 108937↔137672)		<b>26/117-240</b> (RE520033, RE519321)	36211 36210	Stanadyne
5103 (IND 108879↔), 5103E, 5103S (Asia & IND 108836↔), 5104, 5203 (Asia & IND 137678↔), 5203S (IND 137896↔), 5204, 5303 (North Africa), 5303 (South America), 5303 (ZA↔000655), 5310 (IND 137673↔)	3029D & 3029D Power Tech	<b>26/117-239</b> (RE520785)	36497	Stanadyne
5103 (USA↔140838), 5203 (USA↔140336), 5303 (TUR)	3029D Power Tech	<b>26/117-241</b> (RE50833, SE501173)	33234 33235	Stanadyne
5103 (AUS), 5103 (USA 106597↔), 5203 (AUS), 5203 (USA 106478↔), 5303 (EU), 5303 (ZA 000856↔)	3029 D & T Power Tech	<b>26/117-133</b> (RE60062, RE57489, SE501102)	32262 32261	Stanadyne
5105 (3029DLV51), 5205 (3029DLV52), 5210 (PE3029DLV53 & 54), 5220 (↔244460)	3029D Power Tech	<b>26/117-243</b> (RE531437, RE504353, SE501175)	38414 36491	Stanadyne
5105 (3029DLV56), 5205 (3029DLV57), 5210 (CD3029DLV50), 5220 (244461↔), 5310 (EU), 5310N (EU)		<b>26/117-241</b> (RE50833, SE501173)	33234 33235	Stanadyne
5215, 5303 (TUR), 5303 (USA ↔103382), 5310 (USA), 5310N (USA), 5310S, 5315, 5320, 5320N, 5403 (North Africa), 5403 (South America), 5403 (TUR), 5403 (ZA ↔002296), 5410 (EU), 5410 (IND), 5410N	3029 D & T Power Tech	<b>26/117-48</b> (RE48786, RE44508, SE501101)	29279 29278	Stanadyne
5303 (USA 103383↔)	3029T Power Tech	<b>26/117-244</b> (RE515684, SE501177)	35542	Stanadyne
5303 (AUS), 5403 (AUS), 5403 (EU), 5403 (ZA 002297↔), 5403 (USA), 5503 (EU), 5503 (TUR), 5610		<b>26/117-245</b> (RE509896)	35541	Stanadyne
5400, 5400N	3029T	<b>26/117-47</b> (RE36939, RE38087, SE501097)	28484 28485	Stanadyne
2000	5201D (zetor)	<b>26/117-246</b> (PE930558)	D0P160S430-436	Standard

**INJECTOR NOZZLES**  
**TOBERAS DE INYECTOR**



Tractors <i>Tractores</i>	Engines <i>Motores</i>	Injector nozzle <i>Toberas de inyector</i>	Nozzle N° <i>Ref. inyector o tobera</i>	Type <i>Tipo</i>
<b>4 cylinder engines / Motores 4 cilindros</b>				
2100	6201D (zetur)	<b>26/117-246</b> (PE930558)	D0P160S430-436	Standard
2200	7201D (zetur)			
2300	7701D (zetur)			
2400	7301T (zetur)			
2700	1201T (zetur)	<b>26/117-247</b> (PE933628)	D0P150S428-4104	Standard
2800	1001T (Zetur)			
2900	1301T (Zetur)			
710, 2020, 2510	4202D	<b>26/117-44</b> (AR89564, SE501099)	27333	Stanadyne
1830, 2030, 2035, 2120 2440, 2520	4219D			
1640, 1840, 2040, 2040S, 2130, 2135, 2250, 2350, 2355, 2450, 2550, 2555CS, 2650CS	4239D			
2140, 2555TSS, 2650 (ES), 2650F, 2650N, 2650TSS, 2750, 2755, 2850, 2855N	4239T	<b>26/117-46</b> (RE37503, SE501100)	26993	Stanadyne
2630, 2640	4276D			
3020 (123000⇄)	4270D	<b>26/117-289</b> (AR50781, SE501161)	20494	Stanadyne
3200, 3200X, 3210, 3210X	4039D	<b>26/117-233</b> (RE36935, SE501098)	28480	Stanadyne
5500 (USA⇄308582), 5500N (USA)	4039T			
3300, 3300X, 3310, 3310X	4045D	<b>26/117-47</b> (RE36939, SE501097)	28484	Stanadyne
3400, 3400X, 3410, 3410X 5500 (EU), 5500 (USA 308583⇄), 5500N (EU)	4039T			
3210, 3210X, 3310, 3310X 5403 (BR), 5410 (USA), 5415 (MEX), 5415N, 5420, 5420N, 5425 (MEX), 5425N (MEX), 5603 (BR), 5605, 5615 (MEX), 5615 (TUR), 5625 (MEX),	4045D Power Tech	<b>26/117-133</b> (RE60062, SE501102)	32262	Stanadyne
5415 (EU), 5620		<b>26/117-250</b> (RE519569, SE501179)	36011	Stanadyne
3410, 3410X 5425 (USA), 5425N (USA), 5510, 5510N, 5515, 5520, 5520N, 5525, 5525N, 5603 (USA), 5615 (EU), 5625 (USA), 5705, 5715, 5720, 5725, 5725N, 5820	4045T Power Tech	<b>26/117-48</b> (RE48786, SE501101)	29279	Stanadyne



**INJECTOR NOZZLES**  
**TOBERAS DE INYECTOR**

Tractors <i>Tractores</i>	Engines <i>Motores</i>	Injector nozzle <i>Toberas de inyector</i>	Nozzle N° <i>Ref. inyector o tobera</i>	Type <i>Tipo</i>
<b>4 cylinder engines / Motores 4 cilindros</b>				
6100, 6100SE	4045D	<b>26/117-47</b> (RE36939, SE501097)	28484	Stanadyne
6200, 6200L, 6200SE, 6300, 6300L, 6300SE	4039T			
6400, 6400L, 6400SE, 6400SP (TP001), 6500, 6500L	4045T			
6010, 6010SE 6020 & 6020SE (⇔799999) Tier I	4045D Power Tech	<b>26/117-133</b> (RE60062, SE501102)	32262	Stanadyne
6110, 6110L, 6110SE, 6205, 6210, 6210L, 6210SE, 6310, 6310L, 6310S, 6310SE, 6400SP (TP054), 6403, 6405, 6410, 6410L, 6410S, 6410SE, 6415 (BR), 6415 (MEX), 6425 (MEX), 6510L, 6510S	4045T Power Tech	<b>26/117-48</b> (RE48786, SE501101)	29279	Stanadyne
6120, 6120L, 6120SE, 6215, 6220, 6220L, 6220SE, 6320SE (All ⇔799999) Tier I				
6320, 6320L, 6420, 6420L, 6420S, 6420SE, 6520L (All ⇔799999) Tier I	4045H Power Tech			
6020, 6020SE, 6120, 6120L, 6120SE, 6215, 6220, 6220L, 6220SE (All 800000⇔) Tier II 2 valve design / Modelo con 2 válvulas	4045T Power Tech	<b>26/117-237</b> (RE531436, RE507766, SE501103)	38416 38415	Stanadyne
6320, 6320L, 6320SE (All 4045HL270), 6415 (USA 4045HL272), 6420, 6420L, 6420SE (All 4045HL271), 6520L (4045HL273) (All 800000⇔) Tier II 2 valve design / Modelo con 2 válvulas	4045H Power Tech			
<b>6 cylinder engines / Motores 6 cilindros</b>				
3120	6303D	<b>26/117-44</b> (AR89564, SE501099)	27333	Stanadyne
2840, 3030, 3130, 3135 4030	6329D			
2940, 2950, 2955, 3040, 3050, 3055, 3140, 3150, 3155, 3350 (DE), 3640	6359D			
3340, 3350 (ES⇔155860)		<b>26/117-46</b> (RE37503, SE501100, AR90024, AR90023)	26993	Stanadyne
3255, 3350 (ES 761166⇔), 3640S, 3650 4040 (EU), 4040S, 4050	6359T			
4000, 4020 4230 (⇔499999)	6404D	<b>26/117-289</b> (AR50781, SE501161)	20494	Stanadyne
4050	6466D	<b>26/117-253</b> (RE10938)	DLLA158S920 0 433 271 806	Bosch
4050E	6466T	<b>26/117-142</b> (AR74688)	DLLA155S713 0 433 271 883	Bosch



**INJECTOR NOZZLES**  
**TOBERAS DE INYECTOR**



Tractors <i>Tractores</i>	Engines <i>Motores</i>	Injector nozzle <i>Toberas de inyector</i>	Nozzle N° <i>Ref. inyector o tobera</i>	Type <i>Tipo</i>
<b>6 cylinder engines / Motores 6 cilindros</b>				
4055 4255	6076T	<b>26/117-258</b> (RE52112, RE30086)	DLLA158P616 093400-6160	Denso
4040 (USA) 4230 (500000⇔With pump / <i>Con bomba AR73524</i> )	6404D	<b>26/117-252</b> (AR79685)	DLLA155S729 0 433 271 878	Bosch
4230 (500000⇔With pump / <i>Con bomba AR94199</i> ) 4240	6404D 6466D	<b>26/117-143</b> (AR86888)	DLLA158S766 0 433 271 864	Bosch
4320 4430 (⇔445569)	6404T	<b>26/117-261</b> (R48697)	DLLA155S574 0 433 271 274	Bosch
4240S 4250, 4350 4430 (445570⇔) 4440	6466T 6404T 6466T	<b>26/117-142</b> (AR74668, AR101038)	DLLA155S713 0 433 271 883 DLLA155S334ND87 093400-0870	Bosch Denso
4450, 4455 (MEX)	6466T	<b>26/117-264</b> (AR74667, RE25184, AR101039)	DLLA155S658 0 433 271 898 DLLA155S354ND88 093400-0880	Bosch Denso
4455 (MEX), 4455 (USA) 4555	6076T	<b>26/117-258</b> (RE52112, RE30086)	DLLA158P616 093400-6160	Denso
4520 (⇔303518)	6404T	<b>26/117-262</b> (AR52014, AR49307)	20495	Stanadyne
4520 (303519⇔) 4620	6404T 6404A	<b>26/117-261</b> (R48697)	DLLA155S574 0 433 271 274	Bosch
4560	6076T	<b>26/117-260</b> (RE52110, RE30085)	DLLA158P615 093400-6150	Denso
4630 (⇔445947)	6404A	<b>26/117-263</b> (R55083)	DLLA155S593 0 433 271 287	Bosch
4630 (445948⇔) 4640, 4650	6404A 6466A	<b>26/117-264</b> (AR74667, AR101039)	DLLA155S658 0 433 271 898 DLLA155S354ND88 093400-0880	Bosch Denso
4755	6076T	<b>26/117-258</b> (RE52112, RE30086)	DLLA158P616 093400-6160	Denso
4760 (⇔188462)	6076A	<b>26/117-260</b> (RE52110, RE30085)	DLLA158P615 093400-6150	Denso
4760 (184463⇔)		<b>26/117-265</b> (RE30973)	DLLA158P161 0 433 171 144	Bosch

Part numbers are quoted for reference purposes only.  
Our parts and accessories are not original.

**"THE RELIABLE SERVICE"**

Las referencias originales tienen un propósito identificativo. Nuestras piezas no son originales.



**INJECTOR NOZZLES**  
**TOBERAS DE INYECTOR**

Tractors <i>Tractores</i>	Engines <i>Motores</i>	Injector nozzle <i>Toberas de inyector</i>	Nozzle N° <i>Ref. inyector o tobera</i>	Type <i>Tipo</i>
<b>6 cylinder engines / Motores 6 cilindros</b>				
4840	6466A	<b>26/117-141</b> (AR73638, AR88548)	DLA155S881 0 433 271 895	Bosch
			DLA155S364ND74 093400-0740	Denso
4850		<b>26/117-267</b> (RE10947, RE20871, RE46979)	DLA155S895 0 433 271 815	Bosch
			DLA155SND138 093400-1380	Denso
4955	6076A	<b>26/117-260</b> (RE52110, RE30085)	DLA158P615 093400-6150	Denso
4955, 4960				DLA158P161 0 433 171 144
6506	6068D	<b>26/117-233</b> (RE36935, SE501098)	28480	Stanadyne
6600	6059T	<b>26/117-47</b> (RE36939, RE38087, SE501097)	28484	Stanadyne
6800, 6900	6068T		28485	
6505, 6510, 6510SE	6068D Power Tech	<b>26/117-133</b> (RE60062, SE501102)	32262	Stanadyne
6515, 6520, 6520SE (All ⇔799999) Tier 1				
6603, 6605, 6610, 6610SE, 6615 (BR), 6810, 6910, 6910S, 6920SE	6068T Power Tech	<b>26/117-48</b> (RE48786, SE501101)	29279	Stanadyne
6520, 6520SE, 6620, 6620SE, 6715 (All ⇔799999) Tier I				
6620, 6820, 6920, 6920S (All ⇔799999) Tier				
6515, 6520, 6520SE (6068HL270), 6615 (USA 6068HL271) 6620 & 6620SE (6068HL272) 6715 (6068HL273) (All 800000 ⇔) Tier II 2 valve design / Modelo con 2 válvulas	6068H Power Tech	<b>26/117-237</b> (RE531436, RE507766, SE501103)	38416 38415	Stanadyne
7020 (⇔335845)	6404A	<b>26/117-261</b> (R48697)	DLA155S574 0 433 271 274	Bosch
7020 (335846⇔)			<b>26/117-263</b> (R55083)	DLA155S593 0 433 271 287
7200	6059T	<b>26/117-47</b> (RE36939, RE38087, SE501097)	28484	Stanadyne
7400, 7500 (⇔01336)	6068T		28485	
7600	6068T	<b>26/117-48</b> (RE48786, SE501101)	29279	Stanadyne
7210, 7220, 7320, 7405, 7410, 7420 (MEX), 7420 (USA Less cab / Sin cabina), 7425, 7500 (001337⇔), 7505, 7510, 7515, 7520 (MEX), 7520 (USA Less cab / Sin cabina), 7525, 7610, 7810 (BR)	6068T Power Tech			
7715, 7815	6068H Power Tech			

Part numbers are quoted for reference purposes only.  
Our parts and accessories are not original.

**"THE RELIABLE SERVICE"**

Las referencias originales tienen un propósito identificativo. Nuestras piezas no son originales.

**INJECTOR NOZZLES**  
**TOBERAS DE INYECTOR**



Tractors <i>Tractores</i>	Engines <i>Motores</i>	Injector nozzle <i>Toberas de inyector</i>	Nozzle N° <i>Ref. inyector o tobera</i>	Type <i>Tipo</i>
<b>6 cylinder engines / Motores 6 cilindros</b>				
7700 7800 (↔xxxxx)	6076T	<b>26/117-258</b> (RE52112, RE55967, RE30086)	DLLA158P616 093400-6160	Denso
7800 (xxxxxx>517600)		<b>26/117-260</b> (RE52110, RE30085)	DLLA158P615 093400-6150	Denso
7800 (517601↔)		<b>26/117-265</b> (RE30973)	DLLA158P161 0 433 171 144	Bosch
8100 & 8200 (↔009999)	6076H	<b>26/117-260</b> (RE52110, RE30085)	DLLA158P615 093400-6150	Denso
8300 (↔009999)		<b>26/117-276</b> (RE52114, RE29179)	DLLA158P617 093400-6170	Denso
7710 & 7810 (↔089999) 8100 (010000↔), 8100T	6081 T & H Power Tech	<b>26/117-271</b> (RE64392)	DLLA148P611 0 433 171 458	Bosch
7710 & 7810 (↔089999)		<b>26/117-272</b> (RE64266)	DLLA148P662 093400-6620	Denso
8200 (010000↔), 8200T, 8400, 8400T 8110, 8110T, 8210, 8210T, 8410, 8410T 9100	6081H Power Tech	<b>26/117-273</b> (RE42306)	DLLA148P408 0 433 171 291	Bosch
8300 (010000↔), 8300T		<b>26/117-274</b> (RE57153)	DLLA148P522 0 433 171 386	Bosch
8310, 8310T		<b>26/117-275</b> (RE64533)	DLLA148P610 0 433 171 457	Bosch
8430, 8440 8450 (↔282880)	6466A	<b>26/117-141</b> (AR73638)	DLLA155S681 0 433 271 895	Bosch
8450 (282881↔)		<b>26/117-267</b> (RE10947, RE20871, RE46979)	DLLA155S895 0 433 271 815	Bosch
			DLLA155SND138 093400-1380	Denso
8560 (↔142255)	6076H	<b>26/117-260</b> (RE52110, RE30085)	DLLA158P615 093400-6150	Denso
8560 (142256↔165333)		<b>26/117-265</b> (RE30973)	DLLA158P161 0 433 171 144	Bosch
8560 (165334↔) 8570		<b>26/117-276</b> (RE52114, RE29179)	DLLA158P617 093400-6170	Denso



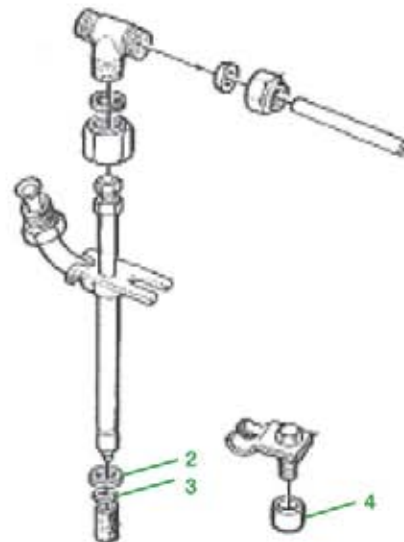
## INJECTOR NOZZLES TOBERAS DE INYECTOR

Tractors Tractores	Engines Motores	Injector nozzle Toberas de inyector	Nozzle N° Ref. inyector o tobera	Type Tipo
6 cylinder engines / Motores 6 cilindros				
8630, 8640	6619A	26/117-277 (AR73637)	DLLA155S695 0 433 271 890	Bosch
8650		26/117-267 (RE10947, RE20871, RE46979)	DLLA155S895 0 433 271 815	Bosch
8760 (6101HRW01) 8760 (6101HRW02 ↔102798)	6101H		DLLA155SND138 093400-1380	Denso

## INJECTOR NOZZLE SEAL KITS RETENES Y JUNTAS DE INYECTORES



Seal kit Juego de juntas	Seal Junta	Seal Junta	Spacer Espaciador
1	2	3	4
26/6119-2 (RE13887, RE32011)	26/119-8 (R92352) Thick. / Grueso 1,9mm (0,075")	26/119-3 (R48000) Thick. / Grueso 2,96mm (0,116")	26/6120-2 (R92351) Thick. / Grueso 11,5mm (0,452")
26/6119-3 (RE65201)	26/119-2 (R60746) Thick. / Grueso 3mm (0,118")		26/6120-3 (R79605) Thick. / Grueso 5,08 mm (0,200")
26/6119-4 (RE64292)	26/119-8 (R92352) Thick. / Grueso 1,9mm (0,075")		



## WATER PUMPS BOMBAS DE AGUA



1



2



3

See pages 172 to 174 for the photos of the parts shown below. / Para las fotos de los artículos relacionados más adelante, ver paginas 172-174

Tractors <i>Tractores</i>	Engine <i>Motor</i>	Water Pump with Pulley <i>Bomba de agua con polea</i>	Water Pump less Pulley <i>Bomba de agua sin polea</i>	Repair kit <i>Juego de reparación</i>
		1	2	3
<b>3 cylinder engines / Motores 3 cilindros</b>				
310, 510	3152D	<b>26/130-297</b> (RE25043)	-	
820, 830 (USA), 920, 1020 (EU↔085099), 1020 (USA)	3152D	<b>26/130-41 P</b> (AR55094, AT27018, AT29619) (A)	<b>26/130-41</b> (RE19944) (A)	<b>26/131-21</b> (RE11345, RE37483, RE62658)
830 (EU), 930 1020 (EU 085100↔), 1030 (DE↔346223), 1030 (ES), 1030 OU, 1030 VU, 1035, 1120, 1130 (↔346223), 1520, 1530	3164D			
1030 (DE 346224↔), 1130 (346224↔)	3164D	<b>26/130-298</b> (AR87419, AR97708)	-	
840, 940 1040, 1140	3179D	<b>26/130-51 P</b> ( AR92416, AR92417, RE26327, RE24845) Pulley / Polea Ø 150 mm (A)	<b>26/130-51</b> (RE46257, RE60489) (A)	<b>26/131-23</b> (RE62659) Standard Flow Flujo estándar Impeller / Turbina Ø 93,5mm
1350 (3179DL004↔751028) 1350 (3179DL013↔751253) 1550 (↔751243)	3179D			<b>26/131-335</b> (RE62662) High Flow / Alto flujo Impeller / Turbina Ø 109mm
1350 (3179DL004 751029↔) 1350 (3179DL013 751254↔) 1550 (751244↔)	3179D	-	-	
1445F	3179D	-	-	
1630, 1635	3179D	<b>26/130-298</b> (DE13243, AR65260, AR87420, AR97708)	-	<b>26/131-21</b> (RE11345, RE37483, RE62658)
1745F, 1845F 2345F	3179D 3179T	-	-	
1750 (↔751243) 1750V, 1850V 1850, 1850N (3179DL001↔751023) 1850, 1850N (3179DL016↔743472) 1850, 1850F (ES↔155860) 2155CS (↔751023), 2155TSS (↔743474)	3179D	<b>26/130-51 P</b> (RE26327, RE24845) (A)	<b>26/130-51</b> (RE46238, RE60489) (A)	<b>26/131-23</b> (RE62659) Standard Flow Flujo estándar Impeller / Turbina Ø 93,5mm  <b>26/131-335</b> (RE62662) High Flow / Alto flujo Impeller / Turbina Ø 109mm

(A) Supplied complete with fittings to cover applications with and without oil cooler/Se sirven completos con rícores para las aplicaciones con o sin refrigerador de aceite

**WATER PUMPS**  
**BOMBAS DE AGUA**



**1**



**2**



**3**

See page 172 to 174 for the photos of the parts shown below. / Para las fotos de los artículos mostrados más abajo, ver página 172-174

Tractors <i>Tractores</i>	Engine <i>Motor</i>	Water Pump with Pulley <i>Bomba de agua con polea</i>	Water Pump less Pulley <i>Bomba de agua sin polea</i>	Repair Kit <i>Juego de reparación</i>
		1	2	3
<b>3 cylinder engines / Motores 3 cilindros</b>				
1750 (3179DL007 751244⇔xxxxxx), 1750 (3179DL015 751244⇔908297), 1850, 1850N (3179DL001 751024⇔909465), 1850, 1850N (3179DL016 743473⇔908298), 1850, 1850F (ES 765518⇔) 2155CS (751024⇔), 2155TSS (743475⇔)	3179D	-	26/130-299 (RE31471)	26/131-23 (RE11347, RE62659)
1750 (3179DL007⇔xxxxxx), 1750 (3179DL015 908298⇔), 1850, 1850N (3179DL001 909466⇔), 1850, 1850N (3179DL016 908299⇔)	3179D	-	26/130-300 (RE31134)	
1950, 1950N 1950, 1950F (ES 765518⇔) 2355N	3179T	-		
2040 (USA⇔349999)	3164D	26/130-41 P (AR55094, AT29619) (A)	26/130-41 (RE19944) (A)	26/131-21 (RE11345, RE62658)
2240 (USA⇔349999)	3179D			
2040, 2240 (USA 350000⇔) 2150, 2255	3179D	26/130-51 P (AR92417, RE26327, RE24845) Pulley / Polea Ø 150 mm (A)	26/130-51 (RE46238, RE60489) (A)	26/131-23 (RE62659) Standard Flow Flujo estándar Impeller / Turbina Ø 93,5mm  26/131-335 (RE62662) High Flow / Alto flujo Impeller / Turbina Ø 109mm
3100, 3110	3029D	-	-	26/131-21 (RE62658)
5200 (⇔202231) Without oil cooler / Sin refrigerador de aceite	3029D	-	RE51893 use / utilizar 26/130-301 (RE51892)	-
5200 (202232⇔248699) Without oil cooler / Sin refrigerador de aceite	3029D	-	-	26/131-21 (RE62658)
5200 (248700⇔) Without oil cooler / Sin refrigerador de aceite	3029D	-	26/130-303 (RE67186, RE509068)	
5300 (USA⇔202231) 5400, 5400N (USA⇔202231) With oil cooler / Con refrigerador de aceite	3029D 3029T	-	26/130-301 (RE51892)	-

(A) Supplied complete with fittings to cover applications with and without oil cooler / Bomba completa con rãcores para aplicaciones con o sin refrigerador de aceite

## WATER PUMPS BOMBAS DE AGUA



1



2



3

See page 172 to 174 for the photos of the parts shown below. / Para las fotos de los artículos mostrados más abajo, ver página 172-174

Tractors Tractores	Engine Motor	Water Pump with Pulley Bomba de agua con polea	Water Pump without Pulley Bomba de agua sin polea	Repair Kit Juego de reparación
		1	2	3
<b>3 cylinder engines / Motores 3 cilindros</b>				
5300 (USA 202232⇔248699) 5400, 5400N (USA 202232⇔248699) With oil cooler / Con refrigerador de aceite	3029D 3029T	-	26/130-304 (RE61715)	26/131-21 (RE62658)
5300 (USA 248700⇔) 5300 (EU), 5300N 5400, 5400N (USA 248700⇔) 5400 (EU), 5400N (EU) With oil cooler / Con refrigerador de aceite	3029D 3029T	-	26/130-305 (RE67185)	
5103 (USA⇔107810), 5205 (PE3029DLV52⇔xxxxxx), 5210 (CD3029DLV50 & PE3029DLV54), 5215, 5220, 5303 (EU), 5310 (USA), 5310N (USA), 5315, 5320, 5320N, 5403 (EU), 5410 (EU), 5410N, 5503, 5610 (Asia)	3029D & T PowerTech	-	26/130-306 (RE67037)	
5105, 5203 (USA⇔107810), 5205 (PE3029DLV52 xxxxxx⇔ & PE3029DLV57), 5210 (PE3029DLV53), 5303 (USA⇔107810), 5310 (EU), 5310N (EU)	3029D & T PowerTech	-	26/130-306 (RE67037)	
5103 (AUS), 5103 (USA 107811⇔), 5203 (IND⇔114032), 5203 (USA 107811⇔), 5203 (AUS), 5203S (IND), 5204 (MEX), 5303 (AUS), 5303 (North Africa), 5303 (MEX), 5303 (South America), 5303 (TUR), 5303 (USA⇔107811), 5303 (ZA), 5310 (Asia), 5310 (IND), 5310S (IND), 5403 (AUS), 5403 (North Africa), 5403 (South America), 5403 (TUR), 5403 (USA), 5403 (ZA), 5410 (IND), 5610 (IND)	3029 & 3029D & T PowerTech	-	-	
5103 (IND), 5103S (Asia), 5104 5203 (Asia), 5203 (IND 114033⇔), 5204 (IND)	3029 & 3029D PowerTech	-	-	
<b>4 cylinder engines / Motores 4 cilindros</b>				
710, 2510	4202D	26/130-297 (RE25043)	-	26/131-21 (RE11345, RE62658)
2520	4219D			
2020	4202D	26/130-41 P (AR55094, AT29619) (A)	26/130-41 (RE19944) (A)	
1830 2030 (DE⇔197366), 2030 (USA), 2120 2440	4219D	26/130-298 (DE13243, AR97708)	-	-
2030 (DE 197639⇔), 2030 (ES), 2035	4219D	26/130-298 (DE13243, AR97708)	-	-
2130, 2135	4239D	26/130-308 (AR62548, AR85250)	-	-

(A) Supplied complete with fittings to cover applications with and without oil cooler / Bomba completa con rãcores para aplicaciones con o sin refrigerador de aceite

Part numbers are quoted for reference purposes only.  
Our parts and accessories are not original.

**"THE RELIABLE SERVICE"**

Las referencias originales tienen un propósito identificativo. Nuestras piezas no son originales.

## WATER PUMPS BOMBAS DE AGUA



1



2



3

See page 172 to 174 for the photos of the parts shown below. / Para las fotos de los artículos mostrados más abajo, ver página 172-174

Tractors <i>Tractores</i>	Engine <i>Motor</i>	Water Pump with Pulley <i>Bomba de agua con polea</i>	Water Pump without Pulley <i>Bomba de agua sin polea</i>	Repair Kit <i>Juego de reparación</i>
		1	2	3
<b>4 cylinder engines / Motores 4 cilindros</b>				
1640, 1840 2040 (EU), 2040F, 2040S 2350, 2550, 2750	4239D	<b>26/130-309</b> (AR92418) Pulley / Polea Ø 165 mm		<b>26/131-23</b> (RE62659) Standard Flow Flujo estándar Impeller / Turbina Ø 93,5mm
2040S (With A/C / Con aire acondicionado) 2140, 2750 (With A/C / Con aire acondicionado)	4239D 4239T	-	<b>26/130-51</b> (RE46238, RE60489) (A)	<b>26/131-335</b> (RE62862) High Flow / Alto flujo Impeller / Turbina Ø 109mm
2250, 2250F, 2355, 2450, 2450F, 2555CS, 2650CS	4239D	-		
2555TSS, 2650 (ES), 2650F, 2650N, 2650TSS, 2755, 2850, 2855N	4239T	-		
2630	4276D	-	<b>26/130-311</b> (AR63343)	<b>26/131-21</b> (RE11345, RE62658)
2640	4276D	-	-	
3010, 3020	4270D	-	<b>26/130-312</b> (SE500919, AR45332)	<b>26/131-51</b> (AR55617) With JD9212 bearing Con rodamientos JD9212  or / o <b>26/131-52</b> (AR55619) With JD9355 bearing Con rodamientos JD9355
3200, 3200X, 3210, 3210X 3300, 330X, 3310, 3310X 3400, 3400X, 3410, 3410X	4039D 4045D 4039T	-	<b>26/130-208</b> (RE67092)	<b>26/131-21</b> (RE62658)
3210, 3210X, 3310, 3310X 5403 (BR), 5410 (USA), 5415 (EU), 5415 (MEX), 5415N, 5420, 5420N, 5425 (MEX), 5425N (MEX), 5603 (BR), 5605, 5615 (MEX), 5615 (TUR), 5620, 5625 (MEX)	4045D PowerTech	-	(RE500737, RE505981) Low Flow / Bajo flujo use / utilizar <b>26/130-211</b> (RE500734, RE505980) High Flow / Alto flujo (B)	<b>26/131-330</b> (RE71240, RE515314) Low Flow / Bajo flujo For / Para RE505981
3410, 3410X 5425 (USA), 5425N (USA), 5510, 5510N, 5515, 5520, 5520N, 5525, 5603 (USA), 5615 (EU), 5625 (USA), 5705, 5715 (MEX), 5715 (TUR), 5720, 5725, 5725N, 5820	4045T PowerTech	-		<b>26/131-211</b> (RE70962, RE509813) High Flow / Alto flujo For / Para RE505980
5500, 5500N	4039T	-	<b>26/130-51</b> (RE60489)	<b>26/131-335</b> (RE62662)

(A) Supplied complete with fittings to cover applications with and without oil cooler / Bomba completa con rácores para aplicaciones con o sin refrigerador de aceite

(B) Supplied complete with RE508586 insert service kit. / Bomba completa con placa de inserción RE508586



## WATER PUMPS BOMBAS DE AGUA



1



2



3

See page 172 to 174 for the photos of the parts shown below. / Para las fotos de los artículos mostrados más abajo, ver página 172-174

Tractors <i>Tractores</i>	Engine <i>Motor</i>	Water Pump with Pulley <i>Bomba de agua con polea</i>	Water Pump without Pulley <i>Bomba de agua sin polea</i>	Repair Kit <i>Juego de reparación</i>
		1	2	3
<b>4 cylinder engines / Motores 4 cilindros</b>				
6100, 6100SE	4045D	-	26/130-192 (RE41157)	26/131-192 (RE501560)
6200, 6200L, 6200SE, 6300, 6300L, 6300SE	4039T	-		
6400, 6400L, 6400SE, 6500, 6500L	4045T	-		
6400SP (TP001)	4045T	-	-	
6010, 6010SE 6020, 6020SE (↔799999)	4045D PowerTech	-	26/130-211 (RE500734, RE505980) (B)	26/131-211 (RE70962, RE509813)
6020, 6020SE (800000↔) 6110, 6110L, 6110SE, 6120, 6120L, 6120SE, 6205, 6210, 6210L, 6210SE, 6215, 6220, 6220L, 6220SE, 6310, 6310L, 6310S, 6310SE, 6320SE (↔799999), 6400SP (TP054), 6403, 6405, 6410, 6410L, 6410S, 6410SE, 6415 (BR), 6415 (MEX), 6425 (MEX), 66510L, 6510S	4045T PowerTech	-		
6320, 6320L, 6320SE (800000↔), 6415 (USA), 6420, 6420L, 6420S, 6420SE, 6520L	4045H PowerTech	-		
6130, 6225, 6230, 6230PR, 6325, 6330, 6330PR, 6425 (EU), 6430, 6430PR (USA)	4045H PowerTech E	-		
6230PR, 6330PR, 6430PR	4045H PowerTech Plus	-		
<b>6 cylinder engines / Motores 6 cilindros</b>				
3120	6303D	-	-	26/131-22 (RE11346, RE62661)
3130 (DE↔318122) 3130 (ES↔086782), 3135 (↔086782)	6329D	-	-	
2840 (↔311078) 3030 (↔381270) 3130 (DE 318123↔380539) 3130 (With A/C / Con aire acondicionado) (DE↔381270) 3130 (ES 086783↔), 3135 (086783↔)	6329D	-	-	
2840 (311079↔) 3030 (381271↔) 3130 (DE 380540↔) 3130 (With A/C / Con aire acondicionado) (DE 381271↔)	6329D	-	-	

(B) Supplied complete with RE508566 insert service kit. / Bomba completa con placa de inserción RE508566

**WATER PUMPS**  
**BOMBAS DE AGUA**



**1**



**2**



**3**

See page 172 to 174 for the photos of the parts shown below. / Para las fotos de los artículos mostrados más abajo, ver página 172-174

Tractors <i>Tractores</i>	Engine <i>Motor</i>	Water Pump with Pulley <i>Bomba de agua con polea</i>	Water Pump without Pulley <i>Bomba de agua sin polea</i>	Repair Kit <i>Juego de reparación</i>	
		1	2	3	
<b>6 cylinder engines / Motores 6 cilindros</b>					
2940, 2950 3040, 3140, 3340	6359D	<b>26/130-316</b> (AR92641)	-	<b>26/131-24</b> (RE11348, RE62660, RE70143)	
2955 3050, 3055, 3150 (ES), 3155, 3350		-	<b>26/130-195</b> (RE26924, RE31600)		
3255, 3650	6359T	-	-		
3150 (USA) 3640	6359D	<b>26/130-317</b> (RE18676)	-		
3640S	6359T	-	-		
4000, 4010, 4020	6404D	-	<b>26/130-312</b> (SE500919, AR45332)	<b>26/131-51</b> (AR55617) With JD9212 bearing Con rodamientos JD9212 or / o <b>26/131-52</b> (AR55619) With JD9355 bearing Con rodamientos JD9355	
		4020 (↔200999) (With A/C / Con aire acondicionado)	-	<b>26/130-318</b> (SE500923, AR45340)	<b>26/131-50</b> (AR98564)
		4020 (201000↔) (With A/C / Con aire acondicionado)	-	-	<b>26/131-52</b> (AR55619)
4030	6329D	-	-	<b>26/131-336</b> (RK381) Without impeller Sin turbina <b>26/131-320</b> (RK382) With R40979 impeller Con turbina R40979	
4040 (EU), 4040S	6359T	-	-	<b>26/131-24</b> (RE11348, RE70143)	
4050		-	-		
4040 (USA), 4230	6404D	-	<b>26/130-209</b> (SE500917, AR98549)	<b>26/131-53</b> (RK136) Without impeller Sin turbina <b>26/131-55</b> (RK135) With R51682 impeller Con turbina R51682	

## WATER PUMPS BOMBAS DE AGUA



1



2



3

See page 172 to 174 for the photos of the parts shown below. / Para las fotos de los artículos mostrados más abajo, ver página 172-174

Tractors <i>Tractores</i>	Engine <i>Motor</i>	Water Pump with Pulley <i>Bomba de agua con polea</i>	Water Pump without Pulley <i>Bomba de agua sin polea</i>	Repair Kit <i>Juego de reparación</i>
		1	2	3
<b>6 cylinder engines / Motores 6 cilindros</b>				
4320, 4520 4620	6404T 6404A	-	-	26/131-53 (RK136) Without impeller <i>Sin turbina</i> 26/131-323 (AR98568, RE524118) With R43904 impeller <i>Con turbina R43904</i>
4430 4630	6404T 6404A	-	26/130-324 (SE500915, RE20023)	26/131-53 (RK136) Without impeller <i>Sin turbina</i> 26/131-324 (RK137) With R50411 impeller <i>Con turbina R50411</i>
4240 4240S, 4350, 4440, 4455 (MEX) 4640, 4840	6466D 6466T 6466A	-	26/130-210 (SE500916, RE20022)	26/131-337 (RE10967, RE524413)
4050 4050E, 4250, 4450 4055, 4255, 4455 (USA), 4555, 4560 4650, 4850 4755, 4760, 4955, 4960	6466D 6466T 6076T 6466A 6076A	-	26/130-325 (SE500912, AR93517, RE23291, RE55985)	26/131-325 (RE69846, RE69847, RE524397, RE524406)
6600	6059T	-	26/130-192 (RE41157)	26/131-192 (RE501560)
6506	6068D	-		
6800, 6900 7600	6068T	-		
6505, 6510, 6510SE 6515, 6520, 6520SE (⇔799999)	6068D PowerTech	-		
6520, 6520SE, 6620, 6620SE, 6715 (⇔799999) 6603, 6605, 6610, 6610SE, 6615 (BR), 6810, 6910, 6910S, 6920SE 7210, 7220, 7320, 7405, 7410, 7420, 7425, 7500 (001337⇔), 7505, 7510, 7515, 7520, 7525, 7610, 7810 (BR)	6068T PowerTech	-	26/130-211 (RE500734, RE505980) (B)	26/131-211 (RE70962, RE509813)
6515, 6520, 6520SE, 6620SE, 6715 (800000⇔), 6615 (USA), 6620, 6820, 6920, 6920S 7220, 7320, 7420, 7520, 7720, 7815, 7820 (EU)	6068H PowerTech	-		
6525, 6530, 6630, 6830, 6930 7130, 7130PR, 7230, 7230PR, 7330, 7330PR, 7430PR (USA)	6068H PowerTech E	-		

(B) Supplied complete with RE508566 insert service kit. / Bomba completa con placa de inserción RE508566

Part numbers are quoted for reference purposes only.  
 Our parts and accessories are not original.

**"THE RELIABLE SERVICE"**

Las referencias originales tienen un propósito identificativo. Nuestras piezas no son originales.

**WATER PUMPS**  
**BOMBAS DE AGUA**



**1**



**2**



**3**

See page 172 to 174 for the photos of the parts shown below. / Para las fotos de los artículos mostrados más abajo, ver página 172-174


Tractors <i>Tractores</i>	Engine <i>Motor</i>	Water Pump with Pulley <i>Bomba de agua con polea</i>	Water Pump without Pulley <i>Bomba de agua sin polea</i>	Repair Kit <i>Juego de reparación</i>
		1	2	3
<b>6 cylinder engines / Motores 6 cilindros</b>				
8530PR, 6630PR, 6830PR, 6930PR 7130PR, 7230PR, 7330PR, 7430PR, 7530PR, 7630, 7730, 7830, 7930	6068H PowerTech Plus	-	-	<b>26/131-211</b> (RE70962, RE509813)
7020 (↔335845)	6404A	-	-	<b>26/131-323</b> (AR98568, RE524118)
7020 (335846↔)	6404A	-	<b>26/130-324</b> (SE500915, RE20023)	<b>26/131-53</b> (RK136) Without impeller <i>Sin turbina</i> <b>26/131-324</b> (RK137) With R50411 Impeller <i>Con turbina R50411</i>
7200	6059T	-	<b>26/130-326</b> (RE53757)	<b>26/131-192</b> (RE501560)
7400	6068T	-		
7500 (↔001336)	6068T	-	-	
7700, 7800, 8100, 8200, 8300 (↔009999)	6076T 6076H	-	(RE49540, RE68229, RE500214) Low Flow / <i>Bajo flujo</i> use / <i>utilizar</i> <b>26/130-327</b> (RE39121, RE68230) High Flow / <i>Alto flujo</i>	<b>26/131-327</b> (RE58350, RE68316) High Flow / <i>Alto flujo</i>
8430, 8440	6466A	-	<b>26/130-210</b> (SE500916, RE20022)	<b>26/131-337</b> (RE10967, RE524413)
8450	6466A	-	<b>26/130-325</b> (SE500912, AR93517, RE23291, RE55985) <b>26/130-328</b> (SE500911, RE28368, RE55986)	<b>26/131-325</b> (RE69846, RE69847, RE524397, RE524406)
8560 (↔499999)	6076H	-		
8560 (500000↔), 8570	6076H	-	<b>26/130-327</b> (RE39121, RE68230)	<b>26/131-327</b> (RE58350, RE68316)
7710, 7810 (USA) (↔089999)	6081T PowerTech	-	-	
7710, 7810 (USA) (090000↔) 7820 (USA), 7920 8100, 8200, 8300 (010000↔) 8100T, 8110, 8110T, 8120, 8120T, 8200T, 8210, 8210T, 8220, 8220T, 8300T, 8310, 8310T, 8320, 8320T, 8400, 8400T, 8410, 8410T, 8420, 8420T, 8520, 8520T 9100, 9120	6081H PowerTech	-	<b>26/130-329</b> (RE57154, RE509598, RE521502)	-

Part numbers are quoted for reference purposes only.  
 Our parts and accessories are not original.

**"THE RELIABLE SERVICE"**

Las referencias originales tienen un propósito identifica-  
 tivo. Nuestras piezas no son originales.

**WATER PUMPS**  
**BOMBAS DE AGUA**

26/130-41 	26/130-41 P 	26/130-51 	26/130-51 P 
26/130-192 	26/130-195 	26/130-208 	26/130-209 
26/130-210 	26/130-211 	26/130-297 	26/130-298 
26/130-299 	26/130-300 	26/130-301 	26/130-303 
26/130-304 	26/130-305 	26/130-306 	26/130-308 

Part numbers are quoted for reference purposes only.  
 Our parts and accessories are not original.

**"THE RELIABLE SERVICE"**

Las referencias originales tienen un propósito identificativo. Nuestras piezas no son originales.

**WATER PUMPS**  
**BOMBAS DE AGUA**

26/130-309 	26/130-311 	26/130-312 	26/130-316 
26/130-317 	26/130-318 	26/130-324 	26/130-325 
26/130-326 	26/130-327 	26/130-328 	26/130-329 
26/131-21 	26/131-22 	26/131-23 	26/131-24 
26/131-50 	26/131-51 	26/131-52 	26/131-53 

Part numbers are quoted for reference purposes only.  
 Our parts and accessories are not original.

**"THE RELIABLE SERVICE"**

Las referencias originales tienen un propósito identificativo. Nuestras piezas no son originales.

**WATER PUMPS**  
**BOMBAS DE AGUA**

<p>26/131-55</p> 	<p>26/131-192</p> 	<p>26/131-211</p> 	<p>26/131-320</p> 
<p>26/131-323</p> 	<p>26/131-324</p> 	<p>26/131-325</p> 	<p>26/131-327</p> 
<p>26/131-330</p> 	<p>26/131-335</p> 	<p>26/131-336</p> 	<p>26/131-337</p> 

## THERMOSTAT & RELATED PARTS TERMOSTATOS Y PIEZAS RELACIONADAS



1



2



3



4

See page 189 and 190 for the thermostats, covers, gasket, hose pictures. / Ver páginas 189 y 190 para fotos de termostatos, soportes, juntas y manguitos.

Tractors Tractores	Engines Motores	By Pass Hose Manguito deriv.	Thermostat Termostato	Therm. Gasket Junta termostato	Thermostat Cover Tapa del termostato
		1	2	3	4
<b>3 cylinder engines / Motores 3 cilindros</b>					
310, 510	3152D	T18783 Cut from (A) Cortar del (A) 26/141-67 (R83062)	26/143-10 (RE33705) 82C (180F)	26/147-3 (T20215)	26/149-1 (T20317)
820, 830 (USA), 920, 1020 (EU ⇨ 085099), 1020 (USA)	3164D	26/141-5 (T20277)	26/143-11 (AT22963) 88C (190F)		26/149-2 (T23620)
1020 (EU 085100⇨), 1120		26/141-68 (CE13859)	26/143-10 (RE33705)		
830 (EU), 930 1030 (DE), 1030 (ES), 1030OU, 1035, 1035EF, 1130			26/141-8 (R70737)	26/143-12 (AR61538)	
930VU, 1030VU, 1035EV	3179D	26/141-5 (T20277)	26/143-10 (RE33705)	26/147-3 (T20215)	26/149-2 (T23620)
840, 940 1040, 1140 1350 (3179DL004 ⇨ 751028) 1350 (3179DL013 ⇨ 751253)		80mm length cut from Largo 80cm. Cortar del 26/141-69 (R83064)	26/143-12 (AR61538)		
1350 (3179DL004 751029 ⇨) 1350 (3179DL013 751254 ⇨)		26/141-5 (T20277)	26/143-10 (RE33705) 82C (180F)		
1445F	3164D	26/141-5 (T20277)	26/143-10 (RE33705) 82C (180F)	26/147-3 (T20215) For / Para R70736	26/149-8 (R70736, R97876)
1520, 1530		26/141-8 (R70737)	26/143-12 (AR61538)		
1550 (⇨ 751243)		3179D	26/141-5 (T20277)		

(A) Heater hose / Manguito de calentador

26/141-67 1/2" (12,5mm) dia. x 1 metre long / 12,5mm (1/2") dia. x 1 metro de longitud

26/141-69 3/4" (19,00mm) dia. x 1 metre long / 19,0mm (3/4") dia. x 1 metro de longitud



## THERMOSTAT & RELATED PARTS TERMOSTATOS Y PIEZAS RELACIONADAS



1



2



3



4

See page 189 and 190 for the thermostats, covers, gasket, hose pictures. / Ver páginas 189 y 190 para fotos de termostatos, soportes, juntas y manguitos.

Tractors Tractores	Engines Motores	By Pass Hose Manguito deriv.	Thermostat Termostato	Therm. Gasket Junta termostato	Thermostat Cover Tapa del termostato
		1	2	3	4
<b>3 cylinder engines / Motores 3 cilindros</b>					
1550 (751244⇔) 1630 (DE)	3179D	26/141-5 (T20277)	26/143-10 (RE33705)	26/147-3 (T20215)	26/149-2 (T23620)
1630 (ES), 1630 OU, 1635, 1635EF					26/149-1 (T20317)
1630VU, 1635EV		26/141-68 (CE13859)			26/149-2 (T23620)
1745F, 1845F		80mm length cut from Largo 80cm. Cortar del 26/141-69 (R83064)	26/143-12 (AR61538)		26/149-8 (R70736, R97876)
1750 (⇔751243), 1750V 1850 & 1850N (3179DL001 ⇔751023) 1850 & 1850N (3179DL016 ⇔743472) 1850 & 1850F (ES ⇔155860), 1850V		26/141-8 (R70737)	26/147-3 (T20215) For / Para R70736 26/147-76 (R97877) For / Para R97876		
1750 (751244⇔) 1850 & 1850N (3179DL001 751024 ⇔) 1850 & 1850N (3179DL016 743473 ⇔), 1850 & 1850F (ES 765518 ⇔) 1950 & 1950N	3179D 3179T	26/143-10 (RE33705)			
2040 (USA ⇔349999) 2240 (USA ⇔349999)	3164D 3179D	26/141-5 (T20277)	26/143-10 (RE33705) 82C (180F) 26/143-11 (AT22963) 88C (190F)	26/147-3 (T20215)	26/149-2 (T23620)
2040 & 2240 (USA 350000 ⇔) 2150 2155CS (3179DL001 ⇔751023) 2155TSS (3179DL017 ⇔743474) 2255	3179D	26/141-8 (R70737)	26/143-12 (AR61538)	26/147-3 (T20215) For / Para R70736 26/147-76 (R97877) For / Para R97876	26/149-8 (R70736, R97876)

(A) Heater hose / Manguito de calentador

26/141-67 1/2" (12,5mm) dia. x 1 metre long / 12,5mm (1/2") dia. x 1 metro de longitud  
26/141-69 3/4" (19,00mm) dia. x 1 metre long / 19,0mm (3/4") dia. x 1 metro de longitud

## THERMOSTAT & RELATED PARTS TERMOSTATOS Y PIEZAS RELACIONADAS



See page 189 and 190 for the thermostats, covers, gasket, hose pictures. / Ver páginas 189 y 190 para fotos de termostatos, soportes, juntas y manguitos.

Tractors Tractores	Engines Motores	By Pass Hose Manguito deriv.	Thermostat Termostato	Therm. Gasket Junta termostato	Thermostat Cover Tapa del termostato
		1	2	3	4
<b>3 cylinder engines / Motores 3 cilindros</b>					
2155CS (3179DL001 751024⇔) 2155TSS (3179DL017 743475⇔) 2355NCS (3179TL003 (With Viscous Drive /Con ventila. de acople viscoso) 2355NTSS (3179TL002 (With Viscous Drive /Con ventila. de acople viscoso)	3179D 3179T	26/141-5 (T20277)	26/143-10 (RE33705)		26/149-2 (T23620)
2345F	3179T	80mm length cut from Largo 80cm. Cortar del 26/141-69 (R83064)	26/143-12 (AR61538)	26/147-3 (T20215)	
3100, 3110	3029D	Cut from (A) Cortar del (A) 26/141-67 (R83062)	26/143-95 (RE64354)		26/149-1 (T20317)
5103 (IND), 5103S (Asia), 5203 (Asia), 5203 (IND), 5303 (MEX), 5310 (Asia), 5310 (IND)	3029D Power Tech	26/141-73 (R123226) Tube Seal Junta tubo & 26/141-70 (R99254) Hose Manguito	26/143-96 (RE501052)	26/147-77 (R502814)	26/149-9 (R505727, R518387, R502451)
5103 (AUS), 5103 (USA), 5203 (AUS), 5203 (USA), 5303 (AUS), 5303 (EU), 5303 (USA), 5310S, 5403, 5410 (IND), 5503, 5610	3029T Power Tech				
5200 & 5300 (USA ⇔202231) 5400 & 5400N (USA ⇔202231)	3029D 3029T	-	26/143-94 (RE48583)	26/147-76 (R97877)	26/149-8 (R97876)
5200 & 5300 (USA 202232⇔) 5400 & 5400N (USA 202232⇔)	3029D 3029T	26/141-73 (R123226) Tube Seal Junta tubo & 26/141-70 (R99254) Hose Manguito	26/143-95 (RE64354)		26/149-9 (R501132, R502451)
5300 (EU), 5300N 5400 (EU), 5400N (EU)	3029D 3029T			26/147-77 (R502814)	26/149-10 (R502450, R516606)
5210, 5220	3029D Power Tech		26/143-96 (RE501052)		26/149-9 (R501132, R502451)
5310 (USA), 5310N (USA) 5320, 5320N	3029T Power Tech				

(A) Heater hose / Manguito de calentador

26/141-67 1/2" (12,5mm) dia. x 1 metre long / 12,5mm (1/2") dia. x 1 metro de longitud

26/141-69 3/4" (19,00mm) dia. x 1 metre long / 19,0mm (3/4") dia. x 1 metro de longitud

Part numbers are quoted for reference purposes only.  
Our parts and accessories are not original.

**"THE RELIABLE SERVICE"**

Las referencias originales tienen un propósito identifica-  
tivo. Nuestras piezas no son originales.

## THERMOSTAT & RELATED PARTS TERMOSTATOS Y PIEZAS RELACIONADAS



1



2



3



4

See page 189 and 190 for the thermostats, covers, gasket, hose pictures. / Ver páginas 189 y 190 para fotos de termostatos, soportes, juntas y manguitos.

Tractors Tractores	Engines Motores	By Pass Hose Manguito deriv.	Thermostat Termostato	Therm. Gasket Junta termostato	Thermostat Cover Tapa del termostato
		1	2	3	4
<b>3 cylinder engines / Motores 3 cilindros</b>					
5310 (EU), 5310N (EU)	3029T Power Tech	26/141-73 (R123226) Tube Seal Junta tubo & 26/141-70 (R99254) Hose Manguito	26/143-96 (RE501052)	26/147-77 (R502814)	26/149-10 (R502450, R516606)
5215, 5315 5410 (EU), 5410N					
<b>4 cylinder engines / Motores 4 cilindros</b>					
710	4202D	Cut from (A) Cortar del (A) 26/141-67 (RB3062)	26/143-10 (RE33705) 82C (180F)  26/143-11 (AT22963) 88C (190F)	26/147-3 (T20215)	26/149-1 (T20317)
1830	4219D	26/141-5 (T20277)	143-10 (RE33705)		
1640 1840	4239D	26/141-8 (R70737)	26/143-12 (AR61538)	26/147-3 (T20215) For / Para R70736  26/147-76 (R97877) For / Para R97876	26/149-8 (R70736, R97876)
2020	4202D		26/143-10 (RE33705) 82C (180F)  26/143-11 (AT22963) 88C (190F)		26/149-2 (T23620)
2030 (USA), 2120					
2030 (DE)	4219D	26/141-5 (T20277)	26/143-10 (RE33705)	26/147-3 (T20215)	26/149-1 (T20317)  or / o  26/149-2 (T23620)
2030 (ES), 2030OU, 2035, 2035EF					26/149-1 (T20317)

(A) Heater hose / Manguito de calentador

26/141-67 1/2" (12,5mm) dia. x 1 metre long / 12,5mm (1/2") dia. x 1 metro de longitud

26/141-69 3/4" (19,00mm) dia. x 1 metre long / 19,0mm (3/4") dia. x 1 metro de longitud

## THERMOSTAT & RELATED PARTS TERMOSTATOS Y PIEZAS RELACIONADAS



**1**



**2**



**3**



**4**

See page 189 and 190 for the thermostats, covers, gasket, hose pictures. / Ver páginas 189 y 190 para fotos de termostatos, soportes, juntas y manguitos.

Tractors <i>Tractores</i>	Engines <i>Motores</i>	By Pass Hose <i>Manguito deriv.</i>	Thermostat <i>Termostato</i>	Therm. Gasket <i>Junta termostato</i>	Thermostat Cover <i>Tapa del termostato</i>
		1	2	3	4
<b>4 cylinder engines / Motores 4 cilindros</b>					
2130, 2135	4239D	26/141-6 (R60766, L35843)	26/143-12 (AR61538)	26/147-3 (T20215)	26/149-1 (T20317) or / o 26/149-2 (T23620)
2040, 2040S 2250, 2355, 2450					26/149-8 (R70736, R97876)
2140	4239T	26/141-8 (R70737)	26/143-10 (RE33705) 82C (180F)	26/147-3 (T20215)	26/149-2 (T23620)
2350, 2550	4239D				26/149-2 (T23620) ⇨305414
2440	4219D	26/141-5 (T20277)	26/143-11 (AT22963) 88C (190F)	26/147-3 (T20215)	26/149-1 (T20317) 305415⇨
2510	4202D	T12815 Cut from (A) Cortar del (A)			26/149-1 (T20317)
2520	4219D	26/141-67 (R83062)	26/143-12 (AR61538)	26/147-3 (T20215) For / Para R70736	26/149-8 (R70736, R97876)
2555CS, 2650CS	4239D	26/141-8 (R70737)			

(A) Heater hose / Manguito de calentador  
 26/141-67 1/2" (12,5mm) dia. x 1 metre long / 12,5mm (1/2") dia. x 1 metro de longitud  
 26/141-69 3/4" (19,00mm) dia. x 1 metre long / 19,0mm (3/4") dia. x 1 metro de longitud

## THERMOSTAT & RELATED PARTS TERMOSTATOS Y PIEZAS RELACIONADAS



1



2



3



4

See page 189 and 190 for the thermostats, covers, gasket, hose pictures. / Ver páginas 189 y 190 para fotos de termostatos, soportes, juntas y manguitos.

Tractors Tractores	Engines Motores	By Pass Hose Manguito deriv.	Thermostat Termostato	Therm. Gasket Junta termostato	Thermostat Cover Tapa del termostato
		1	2	3	4
<b>4 cylinder engines / Motores 4 cilindros</b>					
2555TSS, 2650 (ES), 2650F, 2650N, 2650TSS, 2750, 2755, 2850, 2855N	4239T	26/141-8 (R70737)	26/143-12 (AR61538)	26/147-3 (T20215) For / Para R70736  26/147-76 (R97877) For / Para R97876	26/149-8 (R70736, R97876)
2630, 2640	4276D	26/141-71 (R59052)	26/143-14 (AR48675)	26/147-3 (T20215)	26/149-2 (T23620)
3200, 3200X 3210, 3210X	4039D	Cut from (A) Cortar del (A) 26/141-67 (R83062)	26/143-95 (RE64354)		26/149-1 (T20317)
3300, 3300X 3310, 3310X	4045D				
3400, 3400X 3410, 3410X	4039T	26/141-73 (R123226) Tube Seal Junta tubo	26/143-95 (RE64354)	26/147-77 (R502814)	26/149-11 (R501130)
3210, 3210X 3310, 3310X	4045D Power Tech				
3410, 3410X	4045T Power Tech				
5403 (BR), 5410 (USA), 5415 (EU), 5415 (MEX), 5415N, 5420, 5420N, 5425 (MEX), 5425N (MEX), 5603 (BR), 5605, 5615 (MEX), 5615 (TUR), 5625 (MEX)	4045D Power Tech	26/141-73 (R123226) Tube Seal Junta tubo	26/143-96 (RE501052)	26/147-77 (R502814)	26/149-11 (R501130)
5425 (USA), 5425N (USA), 5510, 5510N, 5515, 5520, 5520N, 5525, 5525N, 5603 (USA), 5615 (EU), 5625 (USA), 5705, 5715 (MEX), 5715 (TUR), 5725 (MEX), 5725N	4045T Power Tech				
5500, 5500N	4039T	Cut from (A) Cortar del (A) 26/141-67 (R83062)	26/143-94 (RE48583)	26/147-76 (R97877)	26/149-8 (R97876)
5620	4045D Power Tech	26/141-73 (R123226) Tube Seal Junta tubo	26/143-100 (RE517011)	26/147-80 (R501227) & 26/147-81 (R501228)	26/149-13 (R500472)
5720, 5820	4045T Power Tech				

(A) Heater hose / Manguito de calentador

26/141-67 1/2" (12,5mm) dia. x 1 metre long / 12,5mm (1/2") dia. x 1 metro de longitud  
26/141-69 3/4" (19,00mm) dia. x 1 metre long / 19,0mm (3/4") dia. x 1 metro de longitud

## THERMOSTAT & RELATED PARTS TERMOSTATOS Y PIEZAS RELACIONADAS



**1**



**2**



**3**



**4**

See page 189 and 190 for the thermostats, covers, gasket, hose pictures. / Ver páginas 189 y 190 para fotos de termostatos, soportes, juntas y manguitos.

Tractors <i>Tractores</i>	Engines <i>Motores</i>	By Pass Hose <i>Manguito deriv.</i>	Thermostat <i>Termostato</i>	Therm. Gasket <i>Junta termostato</i>	Thermostat Cover <i>Tapa del termostato</i>
		1	2	3	4
<b>4 cylinder engines / Motores 4 cilindros</b>					
6100, 6100SE	4045D	-	26/143-95 (RE64354) Upper/ Superior 83C (182F)	26/147-4 (R501373)	-
6200, 6200L, 6200SE, 6300, 6300L, 6300SE	4039T	-	26/143-94 (RE48583) Lower / Inferior 82C (180F)		
6400, 6400L, 6400SE, 6400SP (TP001), 6500, 6500L	4045T	-	26/143-10 (RE33705) Upper/ Superior 82C (180F)		
6010, 6010SE, 6110, 6110L, 6110SE, 6205, 6210, 6210L, 6210SE, 6310, 6310L, 6310S, 6310SE, 6405, 6410, 6410L, 6410S, 6410SE, 6510L, 6510S (Double thermostat / <i>Doble termostato</i> )	4045 D & T Power Tech	26/141-73 (R123226) Tube Seal <i>Junta tubo</i>	26/143-14 (AR48675) Lower / Inferior 82C (180F)	26/147-80 (R501227) & 26/147-81 (R501228)	26/149-13 (R500472)
6010, 6010SE, 6110, 6110L, 6110SE, 6205, 6210, 6210L, 6210SE, 6310, 6310L, 6310S, 6310SE, 6405, 6410, 6410L, 6410S, 6410SE, 6510L, 6510S (Single thermostat / <i>Simple termostato</i> ) 6020, 6020SE, 6120, 6120L, 6120SE, 6215, 6220, 6220L, 6220SE, 6320SE (→ 799999), 6415 (BR), 6415 (MEX), 6425 (MEX)	4045 D & T Power Tech		26/143-100 (RE517011)		
6320, 6420, 6420S (Except / <i>Excepto</i> 4045HL472 to / <i>de</i> 476) 6320L, 6320SE (800000→), 6415 (USA), 6420L, 6420SE, 6520L	4045H Power Tech		26/143-10 (RE33705) Upper/ Superior 82C (180F)		
6320, 6420, 6420S (4045HL472 → 476)		26/143-102 (RE524562) Lower / Inferior 82C (180F)	26/147-4 (R501373)		

(A) Heater hose / *Manguito de calentador*  
 26/141-67 1/2" (12,5mm) dia. x 1 metre long / 12,5mm (1/2") dia. x 1 metro de longitud  
 26/141-69 3/4" (19,00mm) dia. x 1 metre long / 19,0mm (3/4") dia. x 1 metro de longitud

## THERMOSTAT & RELATED PARTS TERMOSTATOS Y PIEZAS RELACIONADAS



1



2



3



4

See page 189 and 190 for the thermostats, covers, gasket, hose pictures. / Ver páginas 189 y 190 para fotos de termostatos, soportes, juntas y manguitos.

Tractors <i>Tractores</i>	Engines <i>Motores</i>	By Pass Hose <i>Manguito deriv.</i>	Thermostat <i>Termostato</i>	Therm. Gasket <i>Junta termostato</i>	Thermostat Cover <i>Tapa del termostato</i>
		1	2	3	4
<b>4 cylinder engines / Motores 4 cilindros</b>					
6130, 6225, 6230, 6230PR (USA), 6325, 6330, 6330PR (USA), 6425 (EU), 6430, 6430PR (USA)	4045H Power Tech E		26/143-100 (RE517011)	26/147-82 (R521548) Seal / Junta  26/147-77 (R502814) Gasket / Junta	-
6230PR, 6330PR, 6430PR	4045H Power Tech Plus	26/141-73 (R123226) Tube Seal Junta tubo	26/143-103 (RE528652) Three required Tres por montaje	26/147-82 (R521548) Seal / Junta Three required Tres por montaje  26/147-83 (R505479) Gasket / Junta	-
6400SP (TP054) 6403	4045T Power Tech		-	26/147-77 (R502814)	26/149-11 (R501130)
<b>6 cylinder engines / Motores 6 cilindros</b>					
2840 3030		-			-
3130 (DE 235170↔), 3130 (ES), 3135 (Double thermostat / Doble termostato)	6329D		26/143-14 (AR48675) Two required Dos por montaje		-
2940, 2950 3040, 3050, 3140, 3150 (USA), 3340, 3350 (DE) 3150 & 3350 (ES ↔ 155860), 3640	6359D			26/147-4 (R501373)	
2955 3055, 3155 3150 (ES 761166 ↔)		-	26/143-94 (RE48583) Two required Dos por montaje		-
3255 3350 (ES 761166 ↔)	6359T				
3640S, 3650 4040 (EU), 4040S, 4050					
4050 4050E, 4250, 4450	6466D 6466T	-	26/143-14 (AR48675) Two required Dos por montaje		-
4055 4255	6076T	-		26/147-84 (R124607)	-

(A) Heater hose / Manguito de calentador

26/141-67 1/2" (12,5mm) dia. x 1 metre long / 12,5mm (1/2") dia. x 1 metro de longitud

26/141-69 3/4" (19,00mm) dia. x 1 metre long / 19,0mm (3/4") dia. x 1 metro de longitud

## THERMOSTAT & RELATED PARTS TERMOSTATOS Y PIEZAS RELACIONADAS



**1**



**2**



**3**



**4**

See page 189 and 190 for the thermostats, covers, gasket, hose pictures. / Ver páginas 189 y 190 para fotos de termostatos, soportes, juntas y manguitos.

Tractors <i>Tractores</i>	Engines <i>Motores</i>	By Pass Hose <i>Manguito deriv.</i>	Thermostat <i>Termostato</i>	Therm. Gasket <i>Junta termostato</i>	Thermostat Cover <i>Tapa del termostato</i>
		1	2	3	4
<b>6 cylinder engines / Motores 6 cilindros</b>					
4320, 4430, 4520 (303519↔) 4620, 4630	6404T 6404A	-	26/143-14 (AR48675) Two required <i>Dos por montaje</i>	26/147-84 (R124607)	-
4240 4240S, 4350, 4440, 4455 (MEX) 4640, 4840	6466D 6466T 6466A	26/141-72 (R58718, TY22404)			-
4455 (USA) 4555, 4560	6076T	-			-
4650, 4850	6466A	-	26/143-14 (AR48675) Three required <i>Tres por montaje</i> 26/143-14 (AR48675) Two required <i>Dos por montaje</i>	26/147-85 (R520549) <i>Treble Triple</i> 26/147-84 (R124607) <i>Doble Doble</i>	-
4755, 4760, 4955, 4960	6076A	-	26/143-14 (AR48675) Two required <i>Dos por montaje</i>	26/147-84 (R124607)	-
6506	6068D	-	26/143-95 (RE64354) <i>Upper/ Superior</i> 83C (182F)	26/147-4 (R501373)	-
6600	6059T	-			
6800, 6900	6068T	-	26/143-94 (RE48583) <i>Lower / Inferior</i> 82C (180F)		
6505 (6068DL050), 6515 (6068DL070), 6510, 6510SE 6520 & 6520SE (6068DL070) (↔799999) (Double thermostat / <i>Doble termostato</i> )	6068D Power Tech	26/141-73 (R123226) <i>Tube Seal Junta tubo</i>	26/143-10 (RE33705) <i>Upper/ Superior</i> 82C (180F)		
6605 (BR), 6605 (USA) (6068TL053 ↔578920) 6610, 6610SE, 6615 (BR), 6810, 6910, 6910SE (Double thermostat / <i>Doble termostato</i> )	6068T Power Tech		26/143-14 (AR48675) <i>Lower / Inferior</i> 82C (180F)		

(A) Heater hose / *Manguito de calentador*

26/141-67 1/2" (12,5mm) dia. x 1 metre long / 12,5mm (1/2") dia. x 1 metro de longitud

26/141-69 3/4" (19,0mm) dia. x 1 metre long / 19,0mm (3/4") dia. x 1 metro de longitud



## THERMOSTAT & RELATED PARTS TERMOSTATOS Y PIEZAS RELACIONADAS



1



2



3



4

See page 189 and 190 for the thermostats, covers, gasket, hose pictures. / Ver páginas 189 y 190 para fotos de termostatos, soportes, juntas y manguitos.

Tractors <i>Tractores</i>	Engines <i>Motores</i>	By Pass Hose <i>Manguito deriv.</i>	Thermostat <i>Termostato</i>	Therm. Gasket <i>Junta termostato</i>	Thermostat Cover <i>Tapa del termostato</i>
		1	2	3	4
<b>6 cylinder engines / Motores 6 cilindros</b>					
6620 (6068HLA70) (↔799999) 6820, 6920, 6920S (6068HLA71, 72 & 73) (↔799999) (Double thermostat / <i>Doble termostato</i> )	6068H Power Tech		<b>26/143-10</b> (RE33705) Upper / Superior 82C (180F)  <b>26/143-14</b> (AR48675) Lower / Inferior 82C (180F)	<b>26/147-4</b> (R501373)	-
6505 (6068DL051), 6515 (6068DL071) (↔799999) 8520, 6520SE, 6620, 6620SE, 6715 (↔799999) (Single thermostat / <i>Simple termostato</i> )	6068D Power Tech				
6605 (USA) (6068TL053 578921↔) 6520, 6520SE, 6620, 6620SE, 6715 (6068TL072 & 073) (↔799999) 6920SE (Single thermostat / <i>Simple termostato</i> )	6068T Power Tech		<b>26/143-100</b> (RE517011)	<b>26/147-80</b> (R501227) & <b>26/147-81</b> (R501228)	<b>26/149-13</b> (R500472)
6515 (6068HL270) (800000↔), 6615 (USA) 6520, 6520SE, 6620, 6620SE, 6715 (6068HL270, 272 & 273) (800000↔) (Single thermostat / <i>Simple termostato</i> )	6068H Power Tech	<b>26/141-73</b> (R123226) Tube Seal <i>Junta tubo</i>			
6520, 6620 (6068HL470 to 475) (800000↔) 6820, 6920, 6920S (6068HL472, 473 & 474) (800000↔) (Double thermostat / <i>Doble termostato</i> )	6068H Power Tech		<b>26/143-10</b> (RE33705) Upper / Superior 82C (180F)  <b>26/143-102</b> (RE524562) Lower / Inferior 82C (180F)	<b>26/147-4</b> (R501373)	-
6525, 6530, 6630, 6830, 6930	6068H Power Tech E		<b>26/143-100</b> (RE517011)	<b>26/147-82</b> (R521548) Seal / Junta & <b>26/147-77</b> (R502814) Gasket / Junta	-
6530PR, 6630PR, 6830PR, 6930PR	6068H Power Tech Plus		<b>26/143-103</b> (RE528652) Three required <i>Tres por montaje</i>	<b>26/147-82</b> (R521548) Three required <i>Tres por montaje</i>  <b>26/147-83</b> (R505479)	-

(A) Heater hose / *Manguito de calentador*

**26/141-67** 1/2" (12,5mm) dia. x 1 metre long / 12,5mm (1/2") dia. x 1 metro de longitud

**26/141-69** 3/4" (19,0mm) dia. x 1 metre long / 19,0mm (3/4") dia. x 1 metro de longitud

Part numbers are quoted for reference purposes only.  
Our parts and accessories are not original.

**"THE RELIABLE SERVICE"**

Las referencias originales tienen un propósito identificativo. Nuestras piezas no son originales.

## THERMOSTAT & RELATED PARTS TERMOSTATOS Y PIEZAS RELACIONADAS



**1**



**2**



**3**



**4**

See page 189 and 190 for the thermostats, covers, gasket, hose pictures. / Ver páginas 189 y 190 para fotos de termostatos, soportes, juntas y manguitos.

Tractors <i>Tractores</i>	Engines <i>Motores</i>	By Pass Hose <i>Manguito deriv.</i>	Thermostat <i>Termostato</i>	Therm. Gasket <i>Junta termostato</i>	Thermostat Cover <i>Tapa del termostato</i>
		1	2	3	4
<b>6 cylinder engines / Motores 6 cilindros</b>					
6603	6068T Power Tech	<b>26/141-73</b> (R123226) Tube Seal <i>Junta tubo</i>	-	<b>26/147-77</b> (R502814)	<b>26/149-25</b> (R131016)
7020	6404A	-	<b>26/143-14</b> (AR48675) Two required <i>Dos por montaje</i>	<b>26/147-84</b> (R124807)	-
7200	6059T	-	<b>26/143-10</b> (RE33705) Upper/ Superior 82C (180F)	<b>26/147-4</b> (R501373)	-
7400 7600	6068T	-	<b>26/143-94</b> (RE48583) Lower / Inferior 82C (180F)		
7500 (⇒001336)		-			
7405 7500 (001337⇒)	6068T Power Tech	<b>26/141-73</b> (R123226) Tube Seal <i>Junta tubo</i>	<b>26/143-95</b> (RE64354)	<b>26/147-77</b> (R502814)	<b>26/149-25</b> (R131016)
7210, 7410	6068T Power Tech		<b>26/143-10</b> (RE33705) Upper/ Superior 82C (180F)	<b>26/147-4</b> (R501373)	-
7220, 7320 (6068TRW01)	-		<b>26/143-14</b> (AR48675) Lower / Inferior 82C (180F)		
7220 & 7320 (6068HRW01 & 61) 7420 & 7520 (6068HRW01 & 62)	6068H Power Tech		<b>26/143-10</b> (RE33705) Upper/ Superior 82C (180F)  <b>26/143-102</b> (RE524582) Lower / Inferior 82C (180F)		

(A) Heater hose / *Manguito de calentador*  
 26/141-67 1/2" (12,5mm) dia. x 1 metre long / 12,5mm (1/2") dia. x 1 metro de longitud  
 26/141-69 3/4" (19,00mm) dia. x 1 metre long / 19,0mm (3/4") dia. x 1 metro de longitud

## THERMOSTAT & RELATED PARTS TERMOSTATOS Y PIEZAS RELACIONADAS



1



2



3



4

See page 189 and 190 for the thermostats, covers, gasket, hose pictures. / Ver páginas 189 y 190 para fotos de termostatos, soportes, juntas y manguitos.

Tractors <i>Tractores</i>	Engines <i>Motores</i>	By Pass Hose <i>Manguito deriv.</i>	Thermostat <i>Termostato</i>	Therm. Gasket <i>Junta termostato</i>	Thermostat Cover <i>Tapa del termostato</i>
		1	2	3	4
<b>6 cylinder engines / Motores 6 cilindros</b>					
7220 & 7320 (6068TP055 & 056) 7420 & 7520 (6068TP057 & 058) 7425, 7525	6068T Power Tech		26/143-100 (RE517011)	26/147-80 (R501227) & 26/147-81 (R501228)	26/149-13 (R500472)
7220 & 7320 (6068HRW59 & 70) 7420 & 7520 (6068HRW60 & 71)	6068H Power Tech			26/147-82 (R521548) Seal / Junta & 26/147-77 (R502814) Gasket / Junta	
7130, 7130PR, 7230, 7230PR, 7330, 7330PR, 7430PR (USA)	6068H Power Tech E				
7230PR, 7330PR, 7430PR, 7530PR 7630, 7730, 7830, 7930	6068H Power Tech Plus		26/143-103 (RE528652) Three required <i>Tres por montaje</i>	26/147-82 (R521548) Three required <i>Tres por montaje</i>  26/147-83 (R505479)	
7630, 7730, 7830, 7930 Tier 1 or II Non-certified emission engine <i>Tier I o II motor de emisiones no certificadas</i>	6068H Power Tech	26/141-73 (R123226) Tube Seal <i>Junta tubo</i>	26/143-10 (RE33705) One required <i>Uno por montaje</i> 82C (180F)  26/143-14 (AR48675) Two required <i>Dos por montaje</i> 82C (180F)	26/147-83 (R505479)	
7505, 7515 7510, 7610, 7810 (BR)	6068T Power Tech		26/143-10 (RE33705) Upper / Superior 82C (180F)		
7715, 7815	6068H Power Tech		26/143-14 (AR48675) Lower / Inferior 82C (180F)	26/147-4 (R501373)	
7720, 7820 (EU)			26/143-102 (RE524562) Lower / Inferior 82C (180F)		

(A) Heater hose / Manguito de calentador

26/141-67 1/2" (12,5mm) dia. x 1 metre long / 12,5mm (1/2") dia. x 1 metro de longitud

26/141-69 3/4" (19,0mm) dia. x 1 metre long / 19,0mm (3/4") dia. x 1 metro de longitud

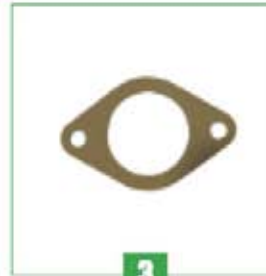
## THERMOSTAT & RELATED PARTS TERMOSTATOS Y PIEZAS RELACIONADAS



**1**



**2**



**3**



**4**

See page 189 and 190 for the thermostats, covers, gasket, hose pictures. / Ver páginas 189 y 190 para fotos de termostatos, soportes, juntas y manguitos.

Tractors <i>Tractores</i>	Engines <i>Motores</i>	By Pass Hose <i>Manguito deriv.</i>	Thermostat <i>Termostato</i>	Therm. Gasket <i>Junta termostato</i>	Thermostat Cover <i>Tapa del termostato</i>
		1	2	3	4
<b>6 cylinder engines / Motores 6 cilindros</b>					
7700, 7800	6076T	-	26/143-14 (AR48675) Two required <i>Dos por montaje</i>	26/147-84 (R124607)	
7710, 7810 (USA) (⇔145553)	6081T Power Tech	-			
7710, 7810 (USA) (145554⇔)	6081 T & H Power Tech	-	26/143-104 (RE69581) Two required <i>Dos por montaje</i>	26/147-86 (R136151) For / Para RE502570	
7820 (USA), 7920	6081H Power Tech	-			
8100, 8200, 8300 (⇔009999)	6076H	-	26/143-14 (AR48675) Two required <i>Dos por montaje</i>	26/147-84 (R124607) For / Para R122198	26/149-26 (R122196, RE502569)
8100, 8200, 8300 (010000 ⇔) 8100T, 8110, 8110T, 8200T, 8210, 8210T, 8300T, 8310, 8310T, 8400, 8400T, 8410, 8410T	6081H Power Tech	-			
8120, 8120T, 8220, 8220T, 8320, 8320T, 8420, 8420T, 8520, 8520T		-	26/143-104 (RE69581) Two required <i>Dos por montaje</i>	26/147-86 (R136151)	
8130, 8230, 8230T, 8330, 8330T, 8430, 8430T, 8530 (⇔001819)	6090H Power Tech Plus	-			
8130, 8230, 8230T, 8330, 8330T, 8430, 8430T, 8530 (001820⇔)		-	26/143-103 (RE528652) Two required <i>Dos por montaje</i>	26/147-82 (R521548)	
8430, 8440	6466A	26/141-72 (R58718, TY22404)	26/143-14 (AR48675) Two required <i>Dos por montaje</i>	26/147-84 (R124607)	

(A) Heater hose / Manguito de calentador

26/141-67 1/2" (12,5mm) dia. x 1 metre long / 12,5mm (1/2") dia. x 1 metro de longitud

26/141-69 3/4" (19,00mm) dia. x 1 metre long / 19,0mm (3/4") dia. x 1 metro de longitud

## THERMOSTAT & RELATED PARTS TERMOSTATOS Y PIEZAS RELACIONADAS



1



2



3



4

See page 189 and 190 for the thermostats, covers, gasket, hose pictures. / Ver páginas 189 y 190 para fotos de termostatos, soportes, juntas y manguitos.

Tractors Tractores	Engines Motores	By Pass Hose Manguito deriv.	Thermostat Termostato	Therm. Gasket Junta termostato	Thermostat Cover Tapa del termostato
		1	2	3	4
<b>6 cylinder engines / Motores 6 cilindros</b>					
8430, 8440	6466A	26/141-72 (R58718, TY22404)	26/143-14 (AR48675) Two required Dos por montaje	26/147-84 (R124607)	-
8450		-			-
8560, 8570	6076H	-		-	
9100	6081H Power Tech	-	26/143-104 (RE69581) Two required Dos por montaje	26/147-86 (R136151) For / Para RE502570	-
9120		-		26/147-84 (R124607) For / Para RE86007	-
9230	6090H Power Tech Plus	-	26/143-103 (RE528652) Two required Dos por montaje	26/147-82 (R521548)	-

(A) Heater hose / Manguito de calentador

26/141-67 1/2" (12,5mm) dia. x 1 metre long / 12,5mm (1/2") dia. x 1 metro de longitud

26/141-69 3/4" (19,00mm) dia. x 1 metre long / 19,0mm (3/4") dia. x 1 metro de longitud

## THERMOSTAT & RELATED PARTS TERMOSTATOS Y PIEZAS RELACIONADAS

### Hoses / Manguitos

<b>26/141-5</b>  Ø 12,7 / 0,50"	<b>26/141-6</b>  Ø 19 / 0,75"	<b>26/141-8</b>  Ø 19 / 0,75"	<b>26/141-67</b>  Ø 12,7 / 0,50"	<b>26/141-68</b>  Ø 12,7 / 0,50"	<b>26/141-69</b>  Ø 19 / 0,75"
<b>26/141-70</b>  Ø 16 / 0,63"	<b>26/141-71</b>  Ø 28 / 1,12"	<b>26/141-72</b>  Ø 25,4 / 1,00"	<b>26/141-73</b>  Ø 16 / 0,63"		

### Hoses clips / Abrazaderas de manguitos

Ref. / Ref.	Ø Adjustment / Ajuste	
	mm	Inch / pulg.
70/2940-012	9,5 - 12	3/8 - 1/2
70/2940-022	16 - 22	5/8 - 7/8
70/2940-025	18 - 25	3/4 - 1
70/2940-030	22 - 30	7/8 - 1 <sup>1/8</sup>
70/2940-035	25 - 35	1 - 1 <sup>3/16</sup>
70/2940-040	30 - 40	1 <sup>1/8</sup> - 1 <sup>5/8</sup>
70/2940-050	35 - 50	1 <sup>1/4</sup> - 1 <sup>7/8</sup>
70/2940-055	40 - 55	1 <sup>1/2</sup> - 2 <sup>1/16</sup>



Ref. / Ref.	Ø Adjustment / Ajuste	
	mm	Inch / pulg.
70/2940-060	45 - 60	1 <sup>3/4</sup> - 2 <sup>3/16</sup>
70/2940-070	55 - 70	2 - 2 <sup>3/4</sup>
70/2940-080	60 - 80	2 <sup>3/8</sup> - 3 <sup>1/16</sup>
70/2940-090	70 - 90	2 <sup>3/4</sup> - 3 <sup>1/2</sup>
70/2940-100	85 - 100	3 <sup>1/4</sup> - 4
70/2940-120	90 - 120	3 <sup>3/4</sup> - 4 <sup>1/2</sup>
70/2940-140	120 - 140	4 <sup>1/2</sup> - 5 <sup>1/2</sup>
70/2940-160	140 - 160	5 <sup>1/2</sup> - 6 <sup>1/4</sup>

### Thermostats / Termostatos

<b>26/143-10</b> 	<b>26/143-11</b> 	<b>26/143-12</b> 	<b>26/143-14</b> 	<b>26/143-94</b> 	<b>26/143-95</b> 
<b>26/143-96</b> 	<b>26/143-100</b> 	<b>26/143-102</b> 	<b>26/143-103</b> 	<b>26/143-104</b> 	

Part numbers are quoted for reference purposes only. Our parts and accessories are not original.

**"THE RELIABLE SERVICE"**

Las referencias originales tienen un propósito identificativo. Nuestras piezas no son originales.

## THERMOSTAT & RELATED PARTS TERMOSTATOS Y PIEZAS RELACIONADAS

### Thermostats Gasket / Junta de Termostato

26/147-3 	26/147-4 	26/147-76 	26/147-77 	26/147-80 	26/147-81 
26/147-82 	26/147-83 	26/147-84 	26/147-85 	26/147-86 	

### Thermostats covers / Carcasas del termostato

26/149-1 	26/149-2 	26/149-8 	26/149-9 	26/149-10 	26/149-11 
26/149-13 	26/149-25 	26/149-26 			



**V BELTS**  
**CORREAS**

Tractors <i>Tractores</i>	Engines <i>Motores</i>	Fan belt <i>Correas del ventilador</i>	Air Compressor Belt <i>Correa compres. aire</i>
<b>3 cylinder engines / Motores 3 cilindros</b>			
310, 510	3152D	26/144-527 (T23526)	-
820, 830 (USA), 920, 1020 (EU ⇔085099), 1020 (USA) 1020 (EU 085100⇔), 1120		26/144-14 (T23505) ⇔075344 1170mm (46.06")	26/144-15 (T20334, R97758) 075345⇔ 1220mm (48.03")
830 (EU), 930 1030, 1035, 1130	3164D	26/144-15 (T20334, R97758)	-
840, 940 1040, 1140 1350 (3179DL004 ⇔751028) 1350 (3179DL013 ⇔751253)	3179D	26/144-16 (R73784)	-
1350 (3179DL004 751029 ⇔) 1350 (3179DL013 751254 ⇔)		26/144-50 (R97940, R97939)	-
1445F, 1745F, 1845F		26/144-527 (T23526)	-
1520		26/144-15 (T20334, R97758)	-
1530	3164D	26/144-14 (T23505) Bosch Alternator Alternador Bosch 1170mm (46.06")	26/144-15 (T20334, R97758) Motorola Alternator Alternador Motorola 1220mm (48.03")
1630, 1635		26/144-15 (T20334, R97758)	-
1550 (⇔751243) 1750 (⇔751243), 1750V 1850 & 1850N (3179DL001 ⇔751023) 1850 & 1850N (3179DL016 ⇔743472) 1850 & 1850F (ES ⇔155860), 1850V	3179D	26/144-16 (R73784)	26/144-529 (L64175) Alternator With trailer air brakes Alternador con frenos de remolque neumatico 823mm (32.40")
1550 (751244⇔) 1750 (3179DL007 751244⇔) 1850 & 1850N (3179DL001 751024⇔) 1950, 1950N	3179D 3179T	26/144-16 (R73784) ⇔788872 1340mm (52.76")	26/144-50 (R97940, R97939) 788873⇔ 1320mm (52.00")
1750 (3179DL015 751244⇔) 1850 & 1850N (3179DL016 743473⇔), 1850 & 1850F (ES 765518⇔) 1950 & 1950N (With viscous fan drive / Con ventilador de acople viscoso)	3179D 3179T	26/144-16 (R73784) ⇔785962 1340mm (52.76")	26/144-50 (R97939) 785963⇔ 1320mm (52.00")
2040 & 2240 (USA ⇔349999)	3164D	26/144-15 (T20334, R97758)	-
2040 & 2240 (USA 350000⇔) 2150 2155CS (3179DL001 ⇔751023) 2155TSS (3179DL017 ⇔743474) 2255	3179D	26/144-16 (R73784)	-
2155CS (3179DL001 751024⇔) 2355NCS (3179TL003 With viscous fan drive / Con ventilador de acople viscoso)	3179D 3179T	26/144-16 (R73784) ⇔788872 1340mm (52.76")	26/144-50 (R97940, R97939) 788873⇔ 1320mm (52.00")

Part numbers are quoted for reference purposes only.  
Our parts and accessories are not original.

**"THE RELIABLE SERVICE"**

Las referencias originales tienen un propósito identificativo. Nuestras piezas no son originales.



**V BELTS**  
**CORREAS**



Tractors <i>Tractores</i>	Engines <i>Motores</i>	Fan belt <i>Correas del ventilador</i>		Air Compressor Belt <i>Correa compres. aire</i>
<b>3 cylinder engines / Motores 3 cilindros</b>				
2155TSS (3179DL017 743475⇔) 2355NTSS (3179TL002 (With viscous fan drive / Con ventilador de acople viscoso)	3179D 3179T	<b>26/144-16</b> (R73784) ⇔785962 1340mm (52.76")	<b>26/144-50</b> (R97939) 785963⇔ 1320mm (52.00")	-
2345F	3179T	<b>26/144-527</b> (T23526)		-
3100, 3110	3029D	<b>26/144-19</b> (R82174)		-
5103 (IND), 5103S (Asia), 5103 (USA ⇔00001), 5104, 5105, 5203 (Asia), 5203 (AUS), 5203 (IND), 5203 (USA ⇔002577), 5205, 5303 (AUS), 5303 (South America ⇔000307), 5303 (TUR ⇔000002), 5303 (USA ⇔004047), 5303 (ZA), 5403 (AUS), 5403 (South America ⇔000307), 5403 (TUR ⇔000002), 5403 (ZA)	3029D & 3029 D & T Power Tech	<b>26/144-16</b> (R73784) 1340mm (52.76")		-
5103 (AUS), 5103 (USA 00002⇔), 5203 (USA 002578⇔), 5203S (IND), 5204, 5303 (North Africa), 5303 (South America 000308⇔), 5303 (TUR 000003⇔), 5303 (USA 004048⇔), 5403 (North Africa), 5403 (South America 000308 ⇔), 5310 (IND 005119⇔), 5310S, 5403 (TUR 000003⇔), 5403 (USA), 5410 (IND), 5610		<b>26/144-528</b> (R216949) 1350mm (53.15")		-
5200 (USA), 5300 (USA) 5210, 5220	3029D & 3029D Power Tech	<b>26/144-16</b> (R73784) 1340mm (52.76")		-
5215 5315	3029T Power Tech	<b>26/144-531</b> (ER198207) 1313mm (51.69")		<b>26/144-535</b> (ER201385) Matched set <i>Equipo</i> 1532mm (60.32")
5300 (EU), 5300N	3029D	<b>26/144-16</b> (R73784) 1340mm (52.76")		<b>26/144-536</b> (ER191185) 1557mm (61.30")
5303 (MEX), 5303 (TUR 000001) 5310 (IND ⇔005118), 5310 (Asia)	3029D & 3029D Power Tech	<b>26/144-51</b> (R87153)		-
5310 (EU), 5310N (EU)	3029D Power Tech	<b>26/144-16</b> (ER136436, R73784) 1340mm (52.76")		<b>26/144-533</b> (ER190407) With Cab, Less A/C <i>Con cabina, sin aire acond.</i> 1363mm (53.66")
5310 (USA), 5310N (USA) 5320, 5320N 5400 (USA), 5400N (USA)	3029T & 3029T Power Tech	<b>26/144-16</b> (R73784) 1340mm (52.76")		-
5400 (EU), 5400N (EU)	3029T	-		-
5410 (EU), 5410N	3029T Power Tech	<b>26/144-16</b> (R73784) 1340mm (52.76")	<b>26/144-531</b> (ER198207) Less Cab <i>Sin cabina</i> 1313mm (51.69")	<b>26/144-16</b> (ER136436, R73784) With Cab, Less A/C <i>Con cabina, sin aire acond.</i> 1340mm (52.76")

Part numbers are quoted for reference purposes only.  
Our parts and accessories are not original.

**"THE RELIABLE SERVICE"**

Las referencias originales tienen un propósito identifica-  
tivo. Nuestras piezas no son originales.



**V BELTS**  
**CORREAS**

Tractors <i>Tractores</i>	Engines <i>Motores</i>	Fan belt <i>Correas del ventilador</i>		Air Compressor Belt <i>Correa compres. aire</i>
<b>3 cylinder engines / Motores 3 cilindros</b>				
5503	3029T Power Tech	26/144-531 (ER198207)		-
<b>4 cylinder engines / Motores 4 cilindros</b>				
710	4202D	26/144-527 (T23526)		-
2020		26/144-14 (T23505) ↔075344	26/144-15 (T20334, R97758) 075345↔	-
2030 (USA), 2120	4219D	1170mm (46.06")	1220mm (48.03")	-
1830, 2030, 2035 2130, 2135	4219D 4239D	26/144-15 (T20334, R97758)		-
1640, 2040, 2040S 2140	4239D 4239T	26/144-16 (R73784) 1340mm (52.76")		26/144-549 (L41331) 1732mm (68.19")
1840				-
2250CS, 2450CS				-
2250TSS, 2450TSS	4239D	26/144-52 (R87154) 1410mm (55.51")	26/144-51 (R87153) With viscous fan drive <i>Con ventilador de acople viscoso</i> 1385mm (54.53")	26/144-529 (L64175) Alternator with trailer air brakes <i>Alternador con frenos de remolque neumatico</i> 823mm (32.40")
2355				-
2350, 2550		26/144-16 (R73784) 1340mm (52.76")		26/144-549 (L41331) 1732mm (68.19")
2440	4219D	26/144-15 (T20334, R97758)		-
2555CS, 2555TSS, 2650 (ES)	4239D 4239T			26/144-551 (L59206) 1757mm (69.17")
2650CS 2650F, 2650N	4239D 4239T			-
2650TSS, 2850	4239T	26/144-52 (R87154) 1410mm (55.51")	26/144-51 (R87153) With viscous fan drive <i>Con ventilador de acople viscoso</i> 1385mm (54.53")	26/144-529 (L64175) Alternator with trailer air brakes <i>Alternador con frenos de remolque neumatico</i> 823mm (32.40")
2750		26/144-16 (R73784) 1340mm (52.76")		26/144-549 (L41331) 1732mm (68.19")
2755	4239T	26/144-52 (R87154) 1410mm (55.51")	26/144-51 (R87153) With viscous fan drive <i>Con ventilador de acople viscoso</i> 1385mm (54.53")	26/144-551 (L59206) 1757mm (69.17")
2855N				-

Part numbers are quoted for reference purposes only.  
Our parts and accessories are not original.

**"THE RELIABLE SERVICE"**

Las referencias originales tienen un propósito identificativo. Nuestras piezas no son originales.

**V BELTS**  
**CORREAS**



Tractors <i>Tractores</i>	Engines <i>Motores</i>	Fan Belt <i>Correas del ventilador</i>		Air Compressor Belt <i>Correa compres. aire</i>
<b>4 cylinder engines / Motores 4 cilindros</b>				
3200, 3200X, 3210, 3210X 3300, 3300X, 3310, 3310X 3400, 3400X, 3410, 3410X	4039D 4045D 4039T	26/144-52 (R87154)		-
3210, 3210X 3310, 3310X 3410, 3410X	4045 D & T Power Tech	26/144-540 (RT7700059170) 8 Rib / 8 canales 1520mm (59.84")	26/144-541 (RT7700059172) 8 Rib / 8 canales With A/C Con acond. 2005mm (78.93")	-
5403 (BR), 5415 (MEX), 5415N, 5603 (BR), 5605, 5615 (MEX), 5615 (TUR), 5705, 5715 (MEX), 5715 (TUR)		26/144-542 (R135822)		-
5410 (USA) 5420, 5420N	4045D Power Tech	26/144-542 (R135822) Less Cab Sin cabina 5 Rib / 5 canales 1525mm (60.04")	26/144-543 (R135823) With Cab Con cabina 8 Rib / 8 canales 1920mm (75.59")	-
5415 (EU), 5515, 5615 (EU)	4045 D & T Power Tech	26/144-544 (ER201383) Belt set (5 Rib) Juego de correas (5 Gorges) 1515mm (59.65")		26/144-544 (ER201382, ER201383) Belt set (5 Rib) Juego de correas (5 canales) 1515mm (59.65")
5500 (EU), 5500N (EU)	4039T	26/144-17 (N150864) 1390mm (54.72")		26/144-536 (ER191185) 1557mm (61.30")
5500 (USA)		-	26/144-17 (N150864) With Cab Con cabina 1390mm (54.72")	-
5510 (EU), 5510N (EU)	4045T Power Tech	26/144-542 (R135822) 5 Rib / 5 canales 1525mm (60.04")	26/144-548 (ER198317) With A/C Con aire acond. 8 Rib / 8 canales 1940mm (76.38")	-
5510 (USA), 5510N (USA) 5520, 5520N			26/144-543 (R135823) With Cab Con cabina 8 Rib / 8 canales 1920mm (75.59")	-



**V BELTS**  
**CORREAS**

Tractors <i>Tractores</i>	Engines <i>Motores</i>	Fan Belt <i>Correas del ventilador</i>			Air Compressor Belt <i>Correa compres. aire</i>
<b>4 cylinder engines / Motores 4 cilindros</b>					
		Standard Estandard	With A/C <i>Con aire acond.</i>	With air trailer brake <i>Con frenos remolque neumático</i>	With air trailer brake & A/C <i>Con frenos remolque neumático y acond.</i>
5620, 5720	4045 D & T Power Tech	26/144-117 (L114489) 8 Rib / 8 canales 1930mm (75.98")	26/144-589 (L111601) 8 Rib / 8 canales 2475mm (97.44")	26/144-590 (L114290) 8 Rib / 8 canales 2385mm (93.90")	26/144-592 (L114293) 8 Rib / 8 canales 2530 mm (99.61")
5820	4045T Power Tech		26/144-114 (L111600) 8 Rib / 8 canales 2460mm (96.85")		26/144-593 (L114468) 8 Rib / 8 canales 2515mm (99.02")
<b>6000 Series with hydraulic belt tensioner (⇔159438) / Series 6000 con tensor de correa hidráulico (⇔159438)</b> <i>Without viscous fan drive / Sin ventilador de acople viscoso</i>					
6100 & 6300 (⇔148908)	4039T & 4045D	26/144-110 (L111148) 6 Rib / 6 canales 1740mm (68.50")	-	26/144-578 (L101411) 8 Rib / 8 canales 2200mm (86.61")	-
6100 & 6300 (148909⇔159438)		26/144-112 (L111685) 8 Rib / 8 canales 1740mm (68.50")	-		-
6200 & 6400 (⇔125189)		26/144-119 (L111169) 6 Rib / 6 canales 1718mm (67.64")	-	26/144-579 (L110603) 8 Rib / 8 canales 2155mm (84.84")	-
6200 & 6400 (125190⇔148908)		26/144-110 (L111148) 6 Rib / 6 canales 1740mm (68.50")	-		-
6200 & 6400 (148909⇔159438)		26/144-112 (L111685) 8 Rib / 8 canales 1740mm (68.50")	-		-
<b>6000 Series with hydraulic belt tensioner (⇔159438) / Series 6000 con tensor de correa hidráulico (⇔159438)</b> <i>With viscous fan drive / Sin ventilador de acople viscoso</i>					
6100 & 6300 (⇔106163)	4039T & 4045D	26/144-119 (L111169) 6 Rib / 6 canales 1718mm (67.64")	26/144-580 (L111170) 8 Rib / 8 canales 2225mm (87.60")	26/144-579 (L110603) 8 Rib / 8 canales 2155mm (84.84")	26/144-582 (L110609) 8 Rib / 8 canales 2315mm (91.14")
6100 & 6300 (106164⇔125189)			144-581 (L110606) 8 Rib / 8 canales 2230mm (87.80")		
6100 & 6300 (125190⇔148908)		26/144-110 (L111148) 6 Rib / 6 canales 1740mm (68.50")			
6100 & 6300 (148909⇔159438)		26/144-112 (L111685) 8 Rib / 8 canales 1740mm (68.50")			

**V BELTS**  
**CORREAS**



Tractors <i>Tractores</i>	Engines <i>Motores</i>	Fan Belt <i>Correas del ventilador</i>	Air Compressor Belt <i>Correa compres. aire</i>		
<b>4 cylinder engines / Motores 4 cilindros</b>					
6200 & 6400 (↔125189)	4039T & 4045T	<b>26/144-119</b> (L111169) 6 Rib / 6 canales 1718mm (67.64")	<b>26/144-580</b> (L111170) 8 Rib / 8 canales 2225mm (87.60")	<b>26/144-579</b> (L110603) 8 Rib / 8 canales 2155mm (84.84")	<b>26/144-588</b> (L115659) 8 Rib / 8 canales 2300mm (90.55")
6200 & 6400 (125190↔148908)		<b>26/144-110</b> (L111148) 6 Rib / 6 canales 1740mm (68.50")	-	-	-
6200L, 6300L, 6400L (↔148908)		<b>26/144-112</b> (L111685) 8 Rib / 8 canales 1740mm (68.50")	<b>26/144-580</b> (L111170) 8 Rib / 8 canales 2225mm (87.60")	<b>26/144-579</b> (L110603) 8 Rib / 8 canales 2155mm (84.84")	<b>26/144-588</b> (L115659) 8 Rib / 8 canales 2300mm (90.55")
6200 & 6400 (148909↔159438)		-	-	-	-
6200L, 6300L, 6400L (148909↔159348)		<b>26/144-118</b> (L110600) 6 Rib / 6 canales 1700mm (66.93")	-	-	-
6500L (↔159438)	4045T	-	-	-	
<b>6000 Series with mechanic belt tensioner (159439 ↔) / Series 6000 con tensor de correa mecánico (159439 ↔)</b>					
6100 & 6300 (159439↔) 6100SE, 6300SE	4039T & 4045D	<b>26/144-119</b> (L111169) 6 Rib / 6 canales 1718mm (67.64")	<b>26/144-583</b> (L110391) 8 Rib / 8 canales 2215mm (87.20")	<b>26/144-588</b> (L115661) 8 Rib / 8 canales 2140mm (84.25")	<b>26/144-586</b> (L115659) 8 Rib / 8 canales 2300mm (90.55")
6200 & 6400 (159439↔) 6200SE, 6400SE		<b>26/144-111</b> (L110605) 8 Rib / 8 canales 2205mm (86.81")	-	-	<b>26/144-585</b> (L115658) 8 Rib / 8 canales 2285mm (89.96")
6200L, 6300L, 6400L (159439↔)		-	-	-	-
6500	4045T	-	<b>26/144-111</b> (L110605) 8 Rib / 8 canales 2205mm (86.81")	-	-
6500L (159439↔)		<b>26/144-116</b> (L110599) 6 Rib / 6 canales 1682mm (66.22")	-	-	-
6010, 6020, 6110L, 6120L, 6205, 6210L, 6215(EU), 6220L, 6310L, 6410L, 6415 (MEX), 6425 (MEX)	4045 D & T Power Tech	-	-	-	-
6010SE, 6020SE, 6110, 6110SE, 6120, 6120SE, 6210, 6210SE, 6215 (USA), 6220, 6220SE, 6320, 6320L, 6320SE, 6415 (USA), 6420, 6420L, 6420S, 6420SE	4045 D, T & H Power Tech	<b>26/144-117</b> (L114489) 8 Rib / 8 canales 1930mm (75.98")	<b>26/144-589</b> (L111601) 8 Rib / 8 canales 2475mm (97.44")	<b>26/144-590</b> (L114290) 8 Rib / 8 canales 2385mm (93.90")	<b>26/144-592</b> (L114293) 8 Rib / 8 canales 2530mm (99.61")
6310, 6310SE, 6405 (USA), 6410, 6410SE	4045T Power Tech	-	<b>26/144-114</b> (L111600) 8 Rib / 8 canales 2460mm (96.85")	-	<b>26/144-593</b> (L114468) 8 Rib / 8 canales 2515mm (99.02")
6310S, 6410S, 6510S		-	-	-	-
6510L		<b>26/144-120</b> (L114488) 8 Rib / 8 canales 1915mm (75.39")	-	-	-

Part numbers are quoted for reference purposes only.  
Our parts and accessories are not original.

**"THE RELIABLE SERVICE"**

Las referencias originales tienen un propósito identificativo. Nuestras piezas no son originales.



**V BELTS**  
**CORREAS**

Tractors <i>Tractores</i>	Engines <i>Motores</i>	Fan Belt <i>Correas del ventilador</i>		Air Compressor Belt <i>Correa compres. aire</i>	
<b>4 cylinder engines / Motores 4 cilindros</b>					
6520L	4045H Power Tech	144-120 (L114488) 8 Rib / 8 canales 1915mm (75.39")	26/144-589 (L111601) 8 Rib / 8 canales 2475mm (97.44")	-	-
6130, 6225, 6230, 6230PR	4045H Power Tech E & Plus		26/144-114 (L111600) 8 Rib / 8 canales 2460mm (96.85")	26/144-596 (L153281) 8 Rib / 8 canales 2375mm (93.50")	26/144-593 (L114468) 8 Rib / 8 canales 2515mm (99.02")
6325, 6330, 6330PR, 6425 (EU), 6430, 6430PR (USA 2 valve / 2 válvulas)		26/144-594 (L153280) 8 Rib / 8 canales 1910mm (75.20")	26/144-595 (L155538) 8 Rib / 8 canales 2455mm (96.66")		
6430PR	4045H Power Tech Plus	26/144-121 (L114286) 8 Rib / 8 canales 1900mm (74.80")	26/144-122 (L114292) 8 Rib / 8 canales 2500mm (98.42")	26/144-591 (L111801) 8 Rib / 8 canales 2365mm (93.11")	144-122 (L114292) 8 Rib / 8 canales 2500mm (98.42")
6400SP (xxxxxx⇔)	4045T & 4045T Power Tech	26/144-116 (L110599) 6 Rib / 6 canales 1682mm (66.22")	26/144-610 (R123453) 8 Rib / 8 canales 1620mm (63.78")	-	-
6403	4045T Power Tech	26/144-576 (R502599) 8 Rib / 8 canales 1630mm (64.17")	26/144-577 (R500381) 8 Rib / 8 canales 2295mm (90.35") With cab / Con cab.	-	-
<b>6 cylinder engines / Motores 6 cilindros</b>					
2840 3030	6329D	26/144-17 (N150864)		-	-
3120	6303D	26/144-16 (R73784)		-	-
3130 (DE)	6329D	26/144-16 (R73784) ⇔318122 1340mm (52.76")	26/144-17 (N150864) 318123⇔ With A/C Con acond. 1390mm (54.72")	-	-
3130 (ES), 3135		26/144-16 (R73784) ⇔086782 1340mm (52.76")	26/144-17 (N150864) 086783⇔ 1390mm (54.72")	-	-
3340 2940, 2950, 3040, 3140	6359D	26/144-18 (R73785) 1465mm (57.68")		-	-
3150 (USA), 3640 3640S	6359D 6359T	26/144-19 (R82174) 1440mm (56.69")		-	26/144-550 (L41330) 1675mm (65.94")
2955	6359D	26/144-54 (R87151) 1545mm (60.83")	26/144-53 (R87152) With viscous fan drive Con ventilador de acople viscoso 1530mm (60.24")	-	26/144-550 (L41330) Early models Primeros modelos 1675mm (65.94")  26/144-551 (L59206) Late models Últimos modelos 1757mm (69.17")

Part numbers are quoted for reference purposes only.  
Our parts and accessories are not original.

**"THE RELIABLE SERVICE"**

Las referencias originales tienen un propósito identifica-  
tivo. Nuestras piezas no son originales.

**V BELTS**  
**CORREAS**



Tractors <i>Tractores</i>	Engines <i>Motores</i>	Fan Belt <i>Correas del ventilador</i>		Air Compressor Belt <i>Correa compres. aire</i>	
<b>6 cylinder engines / Motores 6 cilindros</b>					
3050, 3150, 3350	6359 D & T	<b>26/144-54</b> (R87151) 1545mm (60.83")	<b>26/144-53</b> (R87152) With viscous fan drive <i>Con ventilador de acople viscoso</i> 1530mm (60.24")	<b>26/144-568</b> (L64406) Alternator With trailer air brakes <i>Alternador con frenos de remolque neumático</i> 900mm (35.43")	<b>26/144-550</b> (L41330) Early models <i>Primeros modelos</i> 1675mm (65.94")  <b>26/144-551</b> (L59206) Late models <i>Últimos modelos</i> 1757mm (69.17")
3055	6359D	<b>26/144-53</b> (R87152) 1530mm (60.24")		-	<b>26/144-551</b> (L59206) 1757mm (69.17")
3155		<b>26/144-54</b> (R87151) 1545mm (60.83")	<b>26/144-55</b> (R91407) With viscous fan drive <i>Con ventilador de acople viscoso</i> 1480mm (58.27")	-	<b>26/144-550</b> (L41330) Early models <i>Primeros modelos</i> 1675mm (65.94")
3650	6359T			<b>26/144-568</b> (L64406) Altern. with trailer air brakes <i>Altern. con frenos de remolque neumático</i> 900mm (35.43")	<b>26/144-551</b> (L59206) Late models <i>Últimos modelos</i> 1757mm (69.17")
3255		<b>26/144-55</b> (R91407) 1480mm (58.27")		-	<b>26/144-551</b> (L59206) 1757mm (69.17")
4030	6329D	<b>26/144-555</b> (R46113) 1485mm (58.46")		-	<b>26/144-570</b> (R53258) 1766mm (69.53") ⇨007171
4040 (EU)	6359T	<b>26/144-555</b> (R46113) ⇨xxxxxx 1485mm (58.46")	<b>26/144-557</b> (R73789) xxxxxx⇨ 1470mm (57.87")	-	<b>26/144-570</b> (R53258) 1766mm (69.53")
4040S		<b>26/144-20</b> (R79024) 1407mm (55.39")		-	
4050	6359T	<b>26/144-558</b> (AT24833) Matched set <i>Equipo</i> ⇨007126 1445mm (56.89")	<b>26/144-559</b> (AR72036) Matched set <i>Equipo</i> 007127⇨ 1492mm (58.74")	-	<b>26/144-572</b> (B2893R) 1026mm (40.39")
4050 4050E	6466D 6466T	<b>26/144-150</b> (RE29018) Matched set <i>Equipo</i> 1657mm (65.24")		-	<b>26/144-573</b> (R73189) 1091mm (42.95")
4055 4255	6076T	<b>26/144-560</b> (RE41942) Matched set <i>Equipo</i> 1650mm (64.96")		-	
4240 4240S, 4350	6466D 6466T	<b>26/144-150</b> (RE29018) Matched set <i>Equipo</i> 1657mm (65.24")		-	<b>26/144-569</b> (R71603) 1046mm (41.18")
4250	6466T			-	<b>26/144-573</b> (R73189) 1091mm (42.95")

Part numbers are quoted for reference purposes only.  
Our parts and accessories are not original.

**"THE RELIABLE SERVICE"**

Las referencias originales tienen un propósito identificativo. Nuestras piezas no son originales.



**V BELTS**  
**CORREAS**

Tractors <i>Tractores</i>	Engines <i>Motores</i>	Fan Belt <i>Correas del ventilador</i>			Air Compressor Belt <i>Correa compres. aire</i>
<b>6 cylinder engines / Motores 6 cilindros</b>					
4440, 4450, 4455 (MEX) 4640, 4650, 4840, 4850	6466T 6466A	26/144-150 (RE29018) Matched set <i>Equipo</i> 1657mm (65.24")			26/144-573 (R73189) 1091mm (42.95")
4455 (USA), 4555, 4560 4755, 4760, 4955, 4960	6076T 6076A	26/144-560 (RE41942) Matched set <i>Equipo</i> 1650mm (64.96")			
6000 series with hydraulic belt tensioner (↔159438) / <i>Series 6000 con tensor de correa hidráulico(↔ 159438)</i> With Viscous Fan Drive / <i>Con ventilador de acople viscoso</i>		Standard Estándar	With A/C <i>Con acond.</i>	With air trailer brake <i>Con frenos ramolque neumático</i>	With air trailer brake & A/C <i>Con frenos ramolque neumático, y acond.</i>
6506 & 6600 (↔159438)	6068D & 6059T	26/144-119 (L111169) 6 Rib / canales 1718mm (67.64")	26/144-580 (L111170) 8 Rib / 8 canales 2225mm (87.60")	26/144-579 (L110603) 8 Rib / 8 canales 2155mm (84.84")	26/144-586 (L115659) 8 Rib / 8 canales 2300mm (90.55")
6800 & 6900 (↔159348)	6068T	26/144-118 (L110600) 6 Rib / canales 1700mm (66.93")	26/144-578 (L101411) 8 Rib / 8 canales 2200mm (86.61")	26/144-588 (L115661) 8 Rib / 8 canales 2140mm (84.25")	26/144-585 (L115658) 8 Rib / 8 canales 2285mm (89.96")
<b>6000 Series with mechanic belt tensioner (159439 ↔) <i>Series 6000 con tensor de correa mecánico (159439 ↔)</i></b>					
6506 & 6600 (159439↔)	6068D & 6059T	26/144-118 (L110600) 6 Rib / canales 1700mm (66.93")	26/144-111 (L110605) 8 Rib / 8 canales 2205mm (86.81")	26/144-588 (L115661) 8 Rib / 8 canales 2140mm (84.25")	26/144-585 (L115658) 8 Rib / 8 canales 2285mm (89.96")
6800 & 6900 (159439↔)	6068T	26/144-116 (L110599) 6 Rib / canales 1682mm (66.22")	26/144-115 (L111804) 8 Rib / 8 canales 2190mm (86.22")	26/144-587 (L115660) 8 Rib / 8 canales 2130mm (83.86")	26/144-584 (L115657) 8 Rib / 8 canales 2270mm (89.37")
6505, 6515, 6525	6068 D & H Power Tech & E				
6510, 6510SE, 6605 (USA), 6610, 6610SE, 6620, 6630, 6630PR	6068D, T & H Power Tech & E & Plus	26/144-120 (L114488) 8 Rib / 8 canales 1915mm (75.39")	26/144-114 (L111600) 8 Rib / 8 canales 2460mm (96.85")	26/144-590 (L114290) 8 Rib / 8 canales 2385mm (93.90")	26/144-593 (L114468) 8 Rib / 8 canales 2515mm (99.02")
6520, 6520L, 6520SE, 6530, 6530PR, 6615 (USA), 6620SE, 6715			26/144-589 (L111601) 8 Rib / 8 canales 2475mm (97.44")		26/144-592 (L114293) 8 Rib / 8 canales 2530mm (99.61")
6810, 6910, 6910S	6068T Power Tech	26/144-121 (L114286) 8 Rib / 8 canales 1900mm (74.80")	26/144-122 (L114292) 8 Rib / 8 canales 2500mm (98.42")	26/144-591 (L111801) 8 Rib / 8 canales 2365mm (93.11")	26/144-122 (L114292) 8 Rib / 8 canales 2500mm (98.42")
6820, 6830, 6830PR, 6920, 6920S, 6930	6068H Power Tech & E & Plus		26/144-595 (L155538) 8 Rib / 8 canales 2455mm (96.65")		26/144-597 (L153282) 8 Rib / 8 canales 2505mm (98.62")
6930PR	6068H Power Tech Plus	26/144-594 (L153280) 8 Rib / 8 canales 1910mm (75.20")	26/144-598 (L169273) 8 Rib / 8 canales 2277mm (89.65")	26/144-596 (L153281) 8 Rib / 8 canales 2375mm (93.50")	26/144-599 (L169272) 8 Rib / 8 canales 2560mm (100.79") & 26/144-600 (L169990) 8 Rib / 8 canales 773mm (30.44")

Part numbers are quoted for reference purposes only.  
Our parts and accessories are not original.

**"THE RELIABLE SERVICE"**

Las referencias originales tienen un propósito identificativo. Nuestras piezas no son originales.



**V BELTS**  
**CORREAS**



Tractors <i>Tractores</i>	Engines <i>Motores</i>	Fan Belt <i>Correas del ventilador</i>		Air Compressor Belt <i>Correa compres. aire</i>
<b>6 cylinder engines / Motores 6 cilindros</b>				
7130	6068H Power Tech E	<b>26/144-120</b> (L114488) 8 Rib / 8 canales 1915mm (75.39")	<b>26/144-589</b> (L111601) 8 Rib / 8 canales 2475mm (97.44")	-
7130PR	6068H Power Tech E & Plus	<b>26/144-589</b> (L111601) 8 Rib / 8 canales 2475mm (97.44")	-	-
7230	6068H Power Tech E	<b>26/144-120</b> (L114488) 8 Rib / 8 canales 1915mm (75.39")	<b>26/144-114</b> (L111600) 8 Rib / 8 canales 2460mm (96.85")	-
7230PR	6068H Power Tech E & Plus	<b>26/144-114</b> (L111600) 8 Rib / 8 canales 2460mm (96.85")	-	-
7200 7400		<b>26/144-603</b> (R118318) 8 Rib / 8 canales 2315mm (91.14")		-
7200 7400 With viscous fan drive <i>Con ventilador de acople viscoso</i>	6059T 6068T	<b>26/144-604</b> (L118317) 8 Rib / 8 canales 1808mm (71.18") Less cab <i>Sin cab.</i>	<b>26/144-606</b> (R115614) 8 Rib / 8 canales 2300 mm (90.55") With cab <i>Con cab.</i>	<b>26/144-607</b> (R95917) 8 Rib / 8 canales 1630mm (64.17") With cab, less A/C <i>Cabina sin acond.</i>
7210, 7410, 7510	6068T Power Tech	<b>26/144-608</b> (R135438) 8 Rib / 8 canales 1610mm (63.39")	<b>26/144-609</b> (R503505) With cab <i>Con cab.</i> 8 Rib / 8 canales 2175mm (85.63")	-
7220	6068 T & H Power Tech	<b>26/144-120</b> (L114488) 8 Rib / 8 canales 1915mm (75.39")	<b>26/144-589</b> (L111601) 8 Rib / 8 canales 2475mm (97.44")	<b>26/144-592</b> (L114293) 8 Rib / 8 canales 2530mm (99.61")
7320			<b>26/144-114</b> (L111600) 8 Rib / 8 canales 2460mm (96.85")	<b>26/144-590</b> (L114290) 8 Rib / 8 canales 2385mm (93.90")
7330, 7420, 7425, 7520, 7525	6068 T & H Power Tech & E	<b>26/144-594</b> (L153280) 8 Rib / 8 canales 1910mm (75.20")	<b>26/144-595</b> (L155538) 8 Rib / 8 canales 2455mm (96.85")	-
7330PR	6068H Power Tech E & Plus	<b>26/144-595</b> (L155538) 8 Rib / 8 canales 2455mm (96.65")	<b>26/144-598</b> (L169273) 8 Rib / 8 canales 2277mm (89.65")	-
7430PR, 7530PR	6068H Power Tech Plus	<b>26/144-594</b> (L153280) 8 Rib / 8 canales 1910mm (75.20")	<b>26/144-600</b> (L169990) 6 Rib / 6 canales 773mm (30.44")	<b>26/144-599</b> (L169272) 8 Rib / 8 canales 2560mm (100.79") & <b>26/144-600</b> (L169990) 6 Rib / 6 canales 773mm (30.44")

Part numbers are quoted for reference purposes only.  
Our parts and accessories are not original.

**"THE RELIABLE SERVICE"**

Las referencias originales tienen un propósito identificativo. Nuestras piezas no son originales.



**V BELTS**  
**CORREAS**

Tractors Tractores	Engines Motores	Fan Belt Correas del ventilador			Air Compressor Belt Correa compres. aire
<b>6 cylinder engines / Motores 6 cilindros</b>					
7500 (⇔001336)	6068T	<b>26/144-116</b> (L110599)	-	-	-
7405 7500 (001337⇔)	6068T Power Tech	<b>26/144-610</b> (R123453)	-	-	-
7600	6068T	<b>26/144-607</b> (R95917) Cab Less A/C Cabina sin acond. 8 Rib / 8 canales 1630mm (64.17")	<b>26/144-611</b> (R95924) With Cab Con cabina 8 Rib / 8 canales 2293mm (90.28")	<b>26/144-612</b> (R115936) With air trailer brake Con freno de remolque neumatico 8 Rib / 8 canales 2274mm (89.53")	<b>26/144-613</b> (R115935) With air trailer brake & A/C Con freno de remolque neumatico y acond. 8 Rib / 8 canales 2603mm (102.48")
7610	6068T Power Tech	<b>26/144-614</b> Cab Less A/C Cabina sin acond. 8 Rib / 8 canales 1680mm (66.14") (R123469)	<b>26/144-606</b> (R115614) With Cab Con cabina 8 Rib / 8 canales 2300mm (90.55")	<b>26/144-615</b> (R131434) With air trailer brake Con freno de remolque neumatico 8 Rib / 8 canales 2687mm (105.79")	-
7700, 7800	6076T	<b>26/144-616</b> (R106122) Cab less A/C Cabina sin acond. 8 Rib / 8 canales 1650mm (64.96")	<b>26/144-617</b> (R106120) With Cab Con cabina 8 Rib / 8 canales 1900mm (74.80")	<b>26/144-618</b> (R96255) With air trailer brake Con freno de remolque neumatico 8 Rib / 8 canales 2425mm (95.47")	<b>26/144-619</b> (R106123) With air trailer brake & A/C Con freno de remolque neumatico y acond. 8 Rib / 8 canales 2565mm (100.98")
7710, 7810 (USA)	6081 T & H Power Tech	<b>26/144-620</b> (R123459) Less cab Sin cabina 8 Rib / 8 canales 1675mm (65.95")	<b>26/144-113</b> (R174754) With Cab Con cabina 8 Rib / 8 canales 2000mm (78.74")	<b>26/144-621</b> (R128210) With air trailer brake Con freno de remolque neumatico 8 Rib / 8 canales 2710mm (106.69")	-
7630, 7730 Tier I or II Non-certified emission engine Tier I o II motor de emisiones no certificadas	6068H Power Tech	<b>26/144-623</b> (R267275) Fixed fan drive Ventilador fijo	-	-	-
7630, 7730	6068H Power Tech Plus	<b>26/144-622</b> (R245222) With viscous fan drive Ventilador de acople viscoso	-	-	-
7715, 7815			-	-	-
7720	6068H Power Tech	<b>26/144-624</b> (R181917, R265242) 30K, 40K 2515mm (99.02")	<b>26/144-622</b> (R202628, R245222) 50K 2500mm (98.42")	-	-
7820 (EU)		<b>26/144-622</b> (R202628, R245222) 30K, 40K, 50K	-	-	-
7820 (USA)	6081H Power Tech	<b>26/144-627</b> (R181918, R269531) 40K, 50K	-	-	-

Part numbers are quoted for reference purposes only.  
Our parts and accessories are not original.

**"THE RELIABLE SERVICE"**

Las referencias originales tienen un propósito identificativo. Nuestras piezas no son originales.

**V BELTS**  
**CORREAS**



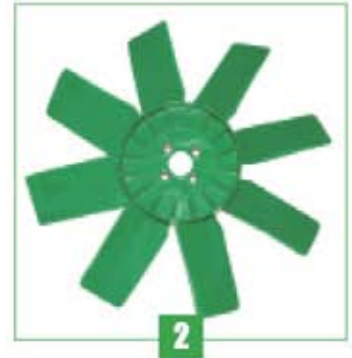
Tractors <i>Tractores</i>	Engines <i>Motores</i>	Fan Belt <i>Correas del ventilador</i>	Air Compressor Belt <i>Correa compres. aire</i>
<b>6 cylinder engines / Motores 6 cilindros</b>			
7830 Tier I or II Non-certified emission engine <i>Tier I o II motor de emisiones no certificadas</i>	6068H Power Tech	<b>26/144-623</b> (R267275) Fixed fan drive <i>Ventilador fijo</i> 8 Rib / 8 canales 2542mm (100.08")	<b>26/144-630</b> (R265241) With viscous fan drive <i>Ventil. de acople vis- coso</i> 8 Rib / 8 canales 2528mm (99.53")
7830	6068H Power Tech Plus	<b>26/144-629</b> (R245223) With viscous fan drive <i>Ventil. de acople vis- coso</i>	-
7920	6081H Power Tech	<b>26/144-627</b> (R181918, R269531) 40K 8 Rib / 8 canales 2720mm (107.09")	<b>26/144-631</b> (R202629, R269530) 50K 8 Rib / 8 canales 2710mm (106.69")
7930 Tier I or II Non-certified emission engine <i>Tier I o II motor de emisiones no certificadas</i>	6068H Power Tech	<b>26/144-630</b> (R265241) With fixed fan drive <i>Ventilador fijo</i> 8 Rib / 8 canales 2528mm (99.53")	<b>26/144-622</b> (R245222) With viscous fan drive <i>Ventil. de acople vis- coso</i> 8 Rib / 8 canales 2500mm (98.42")
7930	6068H Power Tech Plus	<b>26/144-633</b> (R251425) With viscous fan drive <i>Ventil. de acople vis- coso</i>	-
8100, 8200, 8300 (↔009999)	6076H	<b>26/144-647</b> (R157686, R131213) 14 Rib / 14 canales 710mm (27.95")	<b>26/144-635</b> (R157687) 8 Rib / 8 canales 1265mm (49.80") <b>26/144-636</b> (R157688) With air trailer brake <i>Con fr. de remolque neum.</i> 8 Rib / 8 canales 1921mm (75.63")
8100, 8200, 8300 (010000↔) 8100T, 8110, 8110T, 8200T, 8210, 8210T, 8300T, 8310, 8310T, 8400, 8400T, 8410, 8410T			-
8120, 8220, 8320, 8420, 8520 (↔023918) 8120T, 8220T, 8320T, 8420T, 8520T (↔903262)	6081H Power Tech	<b>26/144-637</b> (R164820) 8 Rib / 8 canales 1190mm (46.85")	<b>26/144-638</b> (R206983) 8 Rib / 8 canales 1782mm (70.17") <b>26/144-639</b> (R208755) With air trailer brake <i>Con fr. de remolque neum.</i> 8 Rib / 8 canales 2067mm (81.39")
8120, 8220, 8320, 8420, 8520 (023919↔) 8120T, 8220T, 8320T, 8420T, 8520T (903263↔)			<b>26/144-640</b> (R228118) 8 Rib / 8 canales 1802mm (70.96") <b>26/144-641</b> (R228566) With air trailer brake <i>Con fr. de remolque neum.</i> 8 Rib / 8 canales 2095mm (82.48")
8430, 8440	6466A	<b>26/144-150</b> (RE29018) Matched set <i>Equipo</i> 1650mm (64.96")	<b>26/144-569</b> (R71603) 1046mm (41.18")

Part numbers are quoted for reference purposes only.  
Our parts and accessories are not original.

**"THE RELIABLE SERVICE"**

Las referencias originales tienen un propósito identifica-  
tivo. Nuestras piezas no son originales.

**FAN BLADES**  
**VENTILADORES**



Tractors <i>Tractores</i>	Engines <i>Motores</i>	Fan blade <i>Ventilador</i>
<b>3 cylinder engines / Motores 3 cilindros</b>		
840, 940 1040, 1140 1350 (3179DL004⇔751028) 1350 (3179DL013⇔751253) 1550 & 1750 (⇔751243) 1750V & 1850V 1850 & 1850N (3179DL001⇔751023) 1850 & 1850N (3179DL016⇔743472) 1850 & 1850F (ES ⇔155860) 2040 & 2240 (USA 350000⇔) 2150, 2255 2155CS (⇔751023), 2155TSS (⇔743474)	3179D	<b>26/145-19 (1)</b> (AT26373) Ø 405mm 8 Blades / 8 Palas 4 Holes / 4 Agujeros
<b>4 cylinder engines / Motores 4 cilindros</b>		
2020 (USA)	4202D	<b>26/145-19 (1)</b> (AT26373) Ø 405mm 8 Blades / 8 Palas 4 Holes / 4 Agujeros
1830 2030, 2035, 2120 2440	4219D	<b>26/145-20 (2)</b> (AR26382, RE41269) Ø 478mm 8 Blades / 8 Palas 4 Holes / 4 Agujeros
1640, 1840 2040, 2040S 2350, 2550	4239D	<b>26/145-20 (2)</b> (AR26382, RE41269) Ø 478mm 8 Blades / 8 Palas 4 Holes / 4 Agujeros
2140, 2750	4239T	<b>26/145-20 (2)</b> (AR26382, RE41269) Ø 478mm 8 Blades / 8 Palas 4 Holes / 4 Agujeros
<b>6 cylinder engines / Motores 6 cilindros</b>		
3120	6303D	<b>26/145-20 (2)</b> (AR26382, RE41269) Ø 478mm 8 Blades / 8 Palas 4 Holes / 4 Agujeros
2840 3030 3130, 3135	6329D	<b>26/145-20 (2)</b> (AR26382, RE41269) Ø 478mm 8 Blades / 8 Palas 4 Holes / 4 Agujeros

## BELT TENSIONERS TENSORES DE CORREAS



Tractors <i>Tractores</i>	Engines <i>Motores</i>	Fan tensionner <i>Tensor de correa de ventilador</i>	Auxiliary equipment tensionner <i>Tensor equipo auxiliar</i>
<b>4 cylinder engines / Motores 4 cilindros</b>			
6100 (159439⇔) 6100SE	4045D		-
6200, 6200L, 6300, 6300L (159439⇔) 6200SE, 6300SE	4039T	26/135-7 (AL110621) (3)	-
6400, 6400L, 6500, 6500L (159439⇔) 6400SE	4045T		-
6010, 6010SE	4045D Power Tech		-
6110, 6110L, 6110SE, 6205, 6210, 6210L, 6210SE, 6310, 6310L, 6310S, 6310SE, 6405, 6410, 6410L, 6410S, 6410SE, 6415 (BR), 6510L, 6510S	4045T Power Tech	26/135-3 (AL112300) (1)	-
<b>6 cylinder engines / Motores 6 cilindros</b>			
6506 (159439⇔)	6068D		-
6600 (159439⇔)	6059T	26/135-7 (AL110621) (3)	-
6800 & 6900 (159439⇔) 7500 (⇔001336)	6068T		-
6505, 6510, 6510SE	6068D Power Tech	26/135-3 (AL112300) (1)	-
6610, 6610SE, 6605, 6615 (BR), 6810, 6910, 6910S 7505, 7515	6068T Power Tech		-
7600	6068T		-
7700, 7800	6076T	26/135-4 (RE68715) (2)	-
7710, 7810	6081 T & H Power Tech		-

Part numbers are quoted for reference purposes only.  
 Our parts and accessories are not original.

**"THE RELIABLE SERVICE"**

Las referencias originales tienen un propósito identifica-  
 tivo. Nuestras piezas no son originales.

**BELT TENSIONERS**  
**TENSORES DE CORREAS**



Tractors <i>Tractores</i>	Engines <i>Motores</i>	Fan tensionner <i>Tensor de correa de ventilador</i>	Auxiliary equipment tensionner <i>Tensor equipo auxiliar</i>
<b>6 cylinder engines / Motores 6 cilindros</b>			
8100, 8200, 8300 (⇨009999)	6076H	-	<b>26/135-9</b> (RE57498) (4)
8100, 8200, 8300 (010000⇨) 8100T, 8110, 8110T, 8200T, 8210, 8210T, 8300T, 8310, 8310T, 8400, 8400T, 8410, 8410T	6081H Power Tech	-	<b>26/135-11</b> (RE184034) (⇨023918) (6)
8120, 8220, 8320, 8420, 8520		<b>26/135-10</b> (RE193648) (5)	<b>26/135-11</b> (RE184034) (⇨023918) (6)
8120T, 8220T, 8320T		-	<b>26/135-11</b> (RE184034) (⇨903262) (6)
8420T, 8520T		<b>26/135-10</b> (RE193648) (5)	
9100 (⇨087142)		<b>26/135-4</b> (RE68715) (2)	-

## RADIATORS & HOSES RADIADORES Y MANGUITOS



See pages 216 to 219 for the photos and dimensions of the parts shown below. / Ver páginas de 216 a 219 para fotos y dimensiones de los artículos siguientes.

Tractors <i>Tractores</i>	Engines <i>Motores</i>	Radiator <i>Radiador</i>	Radiator cap <i>Tapón de radiador</i>	Drain tap <i>Grifo de drenaje</i>	Top hose <i>Manguito superior</i>	Bottom hose <i>Manguito inferior</i>
		1	2	3	4	5
<b>3 cylinder engines / Motores 3 cilindros</b>						
820, 920, 1020, 1120 (⇨075429) 1030 (ES), 1030 (OU), 1035, 1035EF (⇨066531)	3152D 3164D	<b>26/150-102</b> (AT20797)			<b>26/153-16</b> (T23534)	
820, 920, 1020, 1120 (075430⇨) 1030 (ES), 1030 (OU), 1035, 1035EF (066532⇨) 830, 930, 1030 (DE), 1130	3152D 3164D	<b>26/150-37</b> (AT20849)				
930VU, 1030VU, 1035EV 1630VU, 1635EV (⇨066531)	3164D 3179D	<b>26/150-102</b> (AT20797)	<b>26/151-9</b> (AT29054)	<b>26/152-2</b> (AT13740)	<b>26/153-301</b> (CE13884)	<b>26/154-16</b> (T22500)
930VU, 1030VU, 1035EV 1630VU, 1635EV (066532⇨)		<b>26/150-37</b> (AT20849)				
1520 Less Hi-Lo & Inverseur <i>Sin Hi-Lo &amp; Reverser</i>	3164D 3179D	-			<b>26/153-335</b> (T23533) With / Con 26/149-2 (T23260)	
1630 (ES), 1630OU, 1630VU, 1635, 1635EF (⇨066531)						<b>26/153-17</b> (L29623) With / Con 26/149-1 (T20317)
1520 With Hi-Lo & Reverser <i>Con Hi-Lo Y Inversor</i>	3164D 3179D	<b>26/150-38</b> (AR65715, AL25255)				
1630 (ES), 1630OU, 1630VU, 1635, 1635EF (066532⇨)						
1530, 1630 (DE)	3164D 3179D	<b>26/150-37</b> (AT20849)			<b>26/153-16</b> (T23534)	
840, 940, 1040, 1140	3179D	<b>26/150-63</b> (AL39290)	<b>26/151-10</b> (AL38374)		<b>26/153-20</b> (L34920)	
1350, 1550, 1750 (⇨621999)						
1350 (622000 ⇨) 1550 & 1750 (622000⇨719999))			<b>26/150-169</b> (AL67562)	<b>26/151-84</b> (AL58894)	<b>26/152-6</b> (AL61314)	<b>26/153-302</b> (L58814)
1550 & 1750 (720000 ⇨)					<b>26/153-303</b> (L58801)	<b>26/154-303</b> (L58793)

Part numbers are quoted for reference purposes only.  
Our parts and accessories are not original.

**"THE RELIABLE SERVICE"**

Las referencias originales tienen un propósito identificativo. Nuestras piezas no son originales.

## RADIATORS & HOSES RADIADORES Y MANGUITOS



See pages 216 to 219 for the photos and dimensions of the parts shown below. / Ver páginas de 216 a 219 para fotos y dimensiones de los artículos siguientes.

Tractors Tractores	Engines Motores	Radiator Radiador	Radiator cap Tapon radiador	Drain tap Grifo de drenaje	Top hose Manguito sup.	Bottom hose Manguito inf.
		1	2	3	4	5
<b>3 cylinder engines / Motores 3 cilindros</b>						
1750V, 1850V 1850 & 1850F (ES ⇔ 155860) 1850 (DE), 1850N, 2155 (⇔ 621999)	3179D	26/150-63 (AL39290)	26/151-10 (AL38374)	26/152-2 (AT13740)	26/153-20 (L34920)	26/154-16 (T22500)
1850 & 1850F (ES 765518 ⇔) 1850 (DE), 1850N, 2155 (622000 ⇔ 719999)		26/150-103 (AL67563)	26/151-84 (AL58894)	26/152-6 (AL61314)	26/153-302 (L58814)	26/154-302 (L58815)
1850 (DE), 1850N, 2155 (720000 ⇔) 1950, 1950N, 2355N					26/153-303 (L58801)	26/154-303 (L58793)
2040 & 2240 (USA ⇔ 349999)	3164D 3179D	26/150-37 (AT20849)	26/151-9 (AT29054)	26/152-2 (AT13740)	26/153-16 (T23534)	26/154-16 (T22500)
2040 & 2240 (USA 350000 ⇔) 2150, 2255	3179D	26/150-63 (AL39290)	26/151-10 (AL38374)		26/153-20 (L34920)	
5103 (USA ⇔ 006839), 5203 (USA ⇔ 003223), 5303 (MEX ⇔ 000354), 5303 (TUR ⇔ 000013), 5303 (USA ⇔ 003303), 5403 (TUR ⇔ 000804), 5310 (IND ⇔ 05118)	3029D & 3029 D & T Power Tech	26/150-171 (RE199568, RE70733)	26/151-86 (RE71863)			26/153-305 (R126605)
5103 & 5103S (Asia & IND ⇔ 005127), 5203 (Asia & IND ⇔ 002474), 5203S (IND ⇔ 000071) 5310 (Asia ⇔ 006417), 5310 (IND 005119 ⇔ 006417)	3029D	-	-			
5200 (⇔ 421065), 5300 (USA ⇔ 431919) 5400 & 5400N (USA ⇔ 441686)	3029 D & T	26/150-105 (RE66029)	26/151-85 (RE62985)	26/152-2 (AT13740)	26/153-304 (R105074)	26/154-304 (R126013)
5200 (421066 ⇔), 5300 (EU), 5300 (USA 431920 ⇔), 5300N, 5400 (EU), 5400 & 5400N (USA 441687 ⇔), 5400N (EU)						
5210, 5220, 5310 (USA), 5310N (USA), 5320, 5320N Less Cab / Sin cabina 5215, 5310 (EU), 5310N (EU), 5315, 5410 (EU), 5410N	3029 D & T Power Tech	26/150-171 (RE70733)	26/151-86 (RE71863)			26/153-305 (R126605)
5210, 5220, 5310 (USA), 5310N (USA), 5320, 5320N With cab / Con cabina		26/150-172 (RE70673)				

Part numbers are quoted for reference purposes only.  
 Our parts and accessories are not original.

**"THE RELIABLE SERVICE"**

Las referencias originales tienen un propósito identificativo. Nuestras piezas no son originales.



## RADIATORS & HOSES RADIADORES Y MANGUITOS



See pages 216 to 219 for the photos and dimensions of the parts shown below. / Ver páginas de 216 a 219 para fotos y dimensiones de los artículos siguientes.

Tractors Tractores	Engines Motores	Radiator Radiador	Radiator cap Tapón radiador	Drain tap Grifo de drenaje	Top hose Manguito sup.	Bottom hose Manguito inf.
		1	2	3	4	5
<b>3 cylinder engines / Motores 3 cilindros</b>						
1830 2020, 2030, 2035, 2120, 2130, 2135	4202D 4219D 4239D	<b>26/150-38</b> (AL65715, AL25255)	<b>26/151-9</b> (AT29054)		<b>26/153-335</b> (T23533) With / Con 149-2 (T23260)  <b>26/153-17</b> (L29623) With / Con 149-1 (T20317)	<b>26/154-16</b> (T22500)
1640, 1840 2040 (EU), 2040S, 2140 2350, 2550	4239 D & T	<b>26/150-36</b> (AL31237, AL37568)	<b>26/151-9</b> (AT29054) For / Para AL31237  <b>26/151-10</b> (AL38374) For / Para AL37568	<b>26/152-2</b> (AT13740)	<b>26/153-21</b> (L34898)	<b>26/154-21</b> (L34921)
2250 (DE), 2355 (↔669788)		<b>26/150-66</b> (AL56372, AL176542)	<b>26/151-20</b> (AL56759)		<b>26/153-70</b> (L56296)	<b>26/154-70</b> (L56295)
2250 (DE), 2355 (669789 ↔) 2250 (ES), 2250F (ES)	4239D	<b>26/150-104</b> (AL66774)	<b>26/151-84</b> (AL58894)	<b>26/152-6</b> (AL61314)	<b>26/153-306</b> (L61990) & <b>26/153-307</b> (L61991)	<b>26/154-305</b> (L61988)
2440 (↔305414)		<b>26/150-38</b> (AR65715, AL25255)	<b>26/151-9</b> (AT29054)		<b>26/153-335</b> (T23533)	
2440 (↔305415 ↔340999)	4219D		<b>26/151-87</b> (AR28482) (A)			<b>26/154-16</b> (T22500)
2440 (341000 ↔)		-		<b>26/152-2</b> (AT13740)		
2450 (ES), 2450F, 2650 (ES), 2650F, 2850 (ES) (↔165978) 2450 (DE), 2555CS, 2555TSS, 2650CS, 2650N, 2650TSS, 2755, 2850 (DE), 2855N (↔669788)	4239 D & T	<b>26/150-66</b> (AL56372, AL176542)	<b>26/151-20</b> (AL56759)		<b>26/153-70</b> (L56296)	<b>26/154-70</b> (L56295)

(A) **26/151-87** (AR28482) is a 7lb psi cap with protective cover that also fits / es un tapón de 7psi con cubierta protectora que también montan 2510, 2520, 2640, 3010, 3020, 4000, 4010, 4020, 4030, 4230, 4430, 4520, 4620, 6030, 7020, 7520, 8430, 8440, 8450 and / y 8630 tractors / tractores

**RADIATORS & HOSES**  
**RADIADORES Y MANGUITOS**



See pages 216 to 219 for the photos and dimensions of the parts shown below. / Ver páginas de 216 a 219 para fotos y dimensiones de los artículos siguientes.

Tractors <i>Tractoras</i>	Engines <i>Motores</i>	Radiator <i>Radiador</i>	Radiator cap <i>Tapon radiador</i>	Drain tap <i>Grito de drenaje</i>	Top hose <i>Manguito sup.</i>	Bottom hose <i>Manguito inf.</i>
		1	2	3	4	5
<b>4 cylinder engines / Motores 4 cilindros</b>						
2450 (ES), 2450F, 2650 (ES), 2650F, 2850 (ES) (165979⇔) 2450 (DE), 2555CS, 2555TSS, 2650CS, 2650N, 2650TSS, 2755, 2850 (DE), 2855N (669789 ⇔)	4239 D & T	<b>26/150-104</b> (AL66774)	<b>26/151-84</b> (AL58894)	<b>26/152-6</b> (AL61314)	<b>26/153-306</b> (L61990) & <b>26/153-307</b> (L61991)	<b>26/154-305</b> (L61988)
2750	4239T	<b>26/150-36</b> (AL31237, AL37568)	<b>26/151-9</b> (AT29054) For / Para AL31237  <b>26/151-10</b> (AL38374) For / Para AL37568		<b>26/153-21</b> (L34898)	<b>26/154-21</b> (L34921)
5410 (USA), 5415 (MEX), 5415N, 5420, 5420N, 5510, 5510N, 5520, 5520N, 5615 (MEX), 5615 (TUR), 5715	4045D Power Tech	<b>26/150-174</b> (RE70236)	<b>26/151-86</b> (RE71863)	<b>26/152-2</b> (AT13740)	<b>26/153-310</b> (R135251)	<b>26/154-306</b> (R135250)
5415 (EU) 5515, 5615 (EU)	4045 D & T Power Tech				<b>26/153-311</b> (ER200932)	<b>26/154-307</b> (ER200931)
5403 (BR), 5605, 5705 (⇔24150)		4039T	-	-		<b>26/153-310</b> (R135251)
5403 (BR), 5605, 5705 (24151⇔)						
5500 (EU)	4039T	<b>26/150-105</b> (RE66029)	<b>26/151-85</b> (RE62985)		<b>26/153-305</b> (R126605)	<b>26/154-304</b> (R126013)
5500 (USA), 5500N		<b>26/150-68</b> (RE62841)			<b>26/153-309</b> (R126012)	
6100, 6200, 6200L (⇔156306)	4039T 4045D	<b>26/150-75</b> (AL78001, AL110865, AL115731, AL115002)	<b>26/151-91</b> (AL78005) Pressure Cap <i>Tapón a presión</i>	<b>26/152-11</b> (AL76662, AL110979)	<b>26/153-312</b> (L100593)	<b>26/154-308</b> (L100591) For / Para AL78001 AL78003
6100, 6200, 6200L (156307⇔)			<b>26/151-92</b> (AL76661) Filler Cap <i>Tapón de llenado</i>			<b>26/154-310</b> (L111275)

Part numbers are quoted for reference purposes only.  
 Our parts and accessories are not original.

**"THE RELIABLE SERVICE"**

Las referencias originales tienen un propósito identificativo. Nuestras piezas no son originales

## RADIATORS & HOSES RADIADORES Y MANGUITOS



See pages 216 to 219 for the photos and dimensions of the parts shown below. / Ver páginas de 216 a 219 para fotos y dimensiones de los artículos siguientes.

Tractors <i>Tractores</i>	Engines <i>Motores</i>	Radiator <i>Radiador</i>	Radiator cap <i>Tapon radiador</i>	Drain tap <i>Grifo de drenaje</i>	Top hose <i>Manguito sup.</i>	Bottom hose <i>Manguito inf.</i>			
		1	2	3	4	5			
<b>4 cylinder engines / Motores 4 cilindros</b>									
6100SE, 6200SE, 6300SE, 6400SE, 6500	4039T 4045 D & T	<b>26/150-69</b> (AL78003, AL110996, AL115732, AL116668)			<b>26/153-312</b> (L100593)	<b>26/154-308</b> (L100591) <i>For / Para</i> AL78001 AL78003			
6300, 6300L, 6400, 6400L, 6500L (↔156052)	4039T 4045T						<b>26/154-310</b> (L111275)		
6300, 6300L, 6400, 6400L, 6500L (156053 ↔)									
6010, 6010SE, 6110, 6110L, 6110SE, 6205, 6210, 6210L, 6210SE, 6310, 6310L, 6310S, 6310SE, 6405 (USA), 6410, 6410L, 6410S, 6410SE, 6510L, 6510S <i>Early with double thermostat Primeros modelos con termostato doble</i>	4045 D & T Power Tech	<b>26/150-75</b> (AL118774, AL115002)	<b>26/151-91</b> (AL78005) Pressure Cap <i>Tapón a presión</i>	<b>26/152-11</b> (AL76662, AL110979)	<b>26/153-313</b> (L114594)	<b>26/154-311</b> (L114595)			
6010, 6010SE, 6110, 6110L, 6110SE, 6205, 6210, 6210L, 6210SE, 6310, 6310L, 6310S, 6310SE, 6405 (USA), 6410, 6410L, 6410S, 6410SE, 6510L, 6510S <i>Late with single thermostat Últimos modelos con termostato simple</i>							<b>26/151-92</b> (AL76661) Filler Cap <i>Tapón de llenado</i>	<b>26/153-314</b> (L116094)	
6020, 6020SE, 6120, 6120L, 6120SE, 6215, 6220, 6220L, 6220SE, 6320L, 6320SE, 6415, 6420L, 6420SE, 6520L 6320, 6420, 6420S, 6425 (MEX) (Tier 1)	4045 D, T & H Power Tech	<b>26/150-175</b> (AL163357, AL168726, AL171542, AL176361)			<b>26/153-315</b> (L153010)				
6120, 6120SE, 6220, 6220SE, 6320L, 6320SE, 6420L, 6420SE, 6520L 6320, 6420, 6420S (Tier 1) With A/C & less trailer air brakes <i>Con A/Acond. Y sin frenos de remolque neumático</i>	4045T Power Tech						<b>26/152-12</b> (AL155781)	<b>26/153-316</b> (L153258)	<b>26/154-312</b> (L116423, L165802)
6320, 6420, 6420S (Tier 2)								<b>26/153-317</b> (L154843)	
6320, 6420, 6420S (Tier 2) With A/C & less trailer air brakes <i>Con A/Acond Y sin frenos de remolque neumático</i>	4045H Power Tech				<b>26/153-318</b> (L154872)				

Part numbers are quoted for reference purposes only.  
 Our parts and accessories are not original.

**"THE RELIABLE SERVICE"**

Las referencias originales tienen un propósito identificativo. Nuestras piezas no son originales.

**RADIATORS & HOSES**  
**RADIADORES Y MANGUITOS**



See pages 216 to 219 for the photos and dimensions of the parts shown below. / Ver páginas de 216 a 219 para fotos y dimensiones de los artículos siguientes.

Tractors <i>Tractores</i>	Engines <i>Motores</i>	Radiator <i>Radiador</i>	Radiator cap <i>Tapon radiador</i>	Drain tap <i>Brito de drenaje</i>	Top hose <i>Manguito sup.</i>	Bottom hose <i>Manguito inf.</i>
		1	2	3	4	5
<b>4 cylinder engines / Motores 4 cilindros</b>						
6130, 6225, 6230, 6230PR (USA), 6325, 6330, 6330PR (USA), 6425 (EU), 6430, 6430PR (USA)	4045H Power Tech E	-	26/151-91 (AL78005)	26/152-12 (AL155781)	-	26/154-312 (L116423, L165802)
6230PR, 6330PR, 6430PR	4045H Power Tech Plus	-			-	
6405 (BR)	4045T Power Tech	-	-	-	26/153-314 (L116094)	26/154-311 (L114595)
<b>6 cylinder engines / Motores 6 cilindros</b>						
3030 (↔189677), 3120, 3130 (DE ↔189677), 3130 (ES ↔ 055699), 3135 (↔055699)	6303D 6329D	26/150-65 (AT26474)	26/151-9 (AT27585, AT29054)	26/152-2 (AT13740)	26/153-18 (T28425)	26/154-18 (T28426)
2840 3030 (189678 ↔), 3130 (DE 189678 ↔), 3130 (ES 055700 ↔), 3135 (055700 )	6329D				26/153-19 (L31795)	
2940, 2950 3040, 3140, 3340	6359D	26/150-64 (AL31238, AL37566)	26/151-9 (AT29054) For / Para AL31238  26/151-10 (AL38374) For / Para AL37566	26/153-22 (L32456)	26/154-22 (L34922)	
2955 & 3050 & 3350 (DE) Less cab / Sin cabina (↔660812) 2955 & 3050 & 3350 (DE) With cabine / Con cab (↔664559) 3150 (ES) & 3350 (ES) Early models / Primeros modelos		26/150-67 (AL56375)	26/151-20 (AL56759)		26/153-319 (L56304)	26/154-313 (L56305)
3155 & 3650 (↔664559)	6359 D & T	-				

Part numbers are quoted for reference purposes only.  
 Our parts and accessories are not original.

**"THE RELIABLE SERVICE"**

Las referencias originales tienen un propósito identifica-  
 tivo. Nuestras piezas no son originales

## RADIATORS & HOSES RADIADORES Y MANGUITOS



See pages 216 to 219 for the photos and dimensions of the parts shown below. / Ver páginas de 216 a 219 para fotos y dimensiones de los artículos siguientes.

Tractors Tractores	Engines Motores	Radiator Radiador	Radiator cap Tapon radiador	Drain tap Grifo de drenaje	Top hose Manguito sup.	Bottom hose Manguito inf.
		1	2	3	4	5
<b>6 cylinder engines / Motores 6 cilindros</b>						
2955 & 3055 & 3350 (DE) Less cab / Sin cabina (660813 ⇔) 2955 & 3050 & 3350 (DE) With cab / Con cabina (664560 ⇔) 3055 3150 (ES) & 3350 (ES) Late / Últimas 3155 & 3650 (664560 ⇔) 3255	6359 D & T	26/150-70 (AL66766)	26/151-84 (AL58894)	26/152-6 (AL61314)	26/153-320 (L62211) & 26/153-321 (L62214)	26/154-314 (L61989)
3150 (USA) 3640, 3640S				26/151-10 (AL38374)		
4040 (EU), 4040S Less A/C / Sin acond.	6359T	26/150-177 (AR79450, AR90738, RE21894)	26/151-89 (AR76619) Early models Primeros modelos 15psi	26/152-2 (AT13740)	26/153-22 (L32456)	-
4040 (EU), 4040S With A/C / Con A/Acond.						26/154-23 (L32468)
4040 (USA) Less A/C / Sin A/Acond.	6404D		26/151-90 (RE24897) Late models Últimas modelos 10psi			-
4040 (USA) With A/C / Con A/Acond.						
6506, 6600, 6800 (⇔156347)	6059T 6068 D & T	26/150-178 (AL79036, AL111629, AL115733, AL115003)	26/151-91 (AL78005) Pressure Cap Tapón a presión	26/152-11 (AL76662, AL110979)	26/153-323 (L80331)	26/154-309 (L100590)
6506, 6600, 6800 (156348 ⇔)						
6900 (156347⇔)	6068T	26/150-179 (AL110419, AL111000, AL115734, AL115004)	26/151-92 (AL76661) Filler Cap Tapón de llenado			26/154-309 (L100590)
6900 (156348 ⇔)						
6505 (⇔251062) With double thermostat Termostato doble	6068D Power Tech	26/150-182 (AL118775)			26/153-324 (L114593)	26/154-311 (L114595)
6505 (251063 ⇔) With single thermostat Termostato simple						

Part numbers are quoted for reference purposes only.  
Our parts and accessories are not original.

**"THE RELIABLE SERVICE"**

Las referencias originales tienen un propósito identificativo. Nuestras piezas no son originales

**RADIATORS & HOSES**  
**RADIADORES Y MANGUITOS**



See pages 216 to 219 for the photos and dimensions of the parts shown below. / Ver páginas de 216 a 219 para fotos y dimensiones de los artículos siguientes.

Tractors <i>Tractores</i>	Engines <i>Motores</i>	Radiator <i>Radiador</i>	Radiator cap <i>Tapon radiador</i>	Drain tap <i>Grifo de drenaje</i>	Top hose <i>Manguito sup.</i>	Bottom hose <i>Manguito inf.</i>			
		1	2	3	4	5			
<b>6 cylinder engines / Motores 6 cilindros</b>									
6510, 6510SE 6605 (USA), 6610, 6610SE, 6810 (⇒238356)		<b>26/150-178</b> (AL115003)	<b>26/151-91</b> (AL78005) Pressure Cap <i>Tapón a presión</i>		<b>26/153-324</b> (L114593)				
6605 (USA) (238357⇒251062) With double thermostat <i>Termostato doble</i> 6610, 6610SE, 6810 (238357⇒)		<b>26/150-180</b> (AL118571)					<b>26/151-92</b> (AL76661) Filler Cap <i>Tapón de llenado</i>		
6605 (USA) (251063 ⇔) With single thermostat <i>Termostato simple</i>		6068T Power Tech	<b>26/150-182</b> (AL118775)				<b>26/152-11</b> (AL76662, AL110979)	<b>26/153-325</b> (L116093)	<b>26/154-311</b> (L114595)
6605(BR)		-	-		-				
6910, 6910S (⇒238356)			<b>26/150-179</b> (AL115004)					<b>26/153-324</b> (L114593)	
6910, 6910S (238357⇒)			<b>26/150-181</b> (AL118572)						
6515, 6520, 6520SE, 6620, 6620SE, 6820, 6910, 6920S (Tier 1)	6068D, T & H Power Tech	<b>26/150-183</b> (AL163358, AL168727, AL171543, AL176362)	<b>26/151-91</b> (AL78005) Pressure Cap <i>Tapón a presión</i>	<b>26/152-11</b> (AL76662, AL110979)	<b>26/153-326</b> (L153012)	<b>26/154-312</b> (L116423, L165802)			
6515, 6520, 6520SE, 6615 (USA), 6620, 6620SE, 6715 (USA), 6920SE With single thermostat <i>Termostato simple</i>	6068 D & T Power Tech		<b>26/151-92</b> (AL76661) Filler Cap <i>Tapón de llenado</i>		<b>26/153-327</b> (L154796)				
6515, 6520, 6520SE, 6620, 6620SE, 6820, 6920, 6920S (Tier 2)					<b>26/152-12</b> (AL155781)		<b>26/153-328</b> (L154844)		
6525, 6530, 6630, 6830, 6930	6068H Power Tech E	-			-				
6530PR, 6630PR, 6830PR, 6930PR	6068H Power Tech Plus	-	<b>26/151-91</b> (AL78005)		-				

Part numbers are quoted for reference purposes only.  
 Our parts and accessories are not original.

**"THE RELIABLE SERVICE"**

Las referencias originales tienen un propósito identifica-  
 tivo. Nuestras piezas no son originales

## RADIATORS & HOSES RADIADORES Y MANGUITOS



See pages 216 to 219 for the photos and dimensions of the parts shown below. / Ver páginas de 216 a 219 para fotos y dimensiones de los artículos siguientes.

Tractors <i>Tractores</i>	Engines <i>Motores</i>	Radiator <i>Radiador</i>	Radiator cap <i>Tapon radiador</i>	Drain tap <i>Grifo de drenaje</i>	Top hose <i>Manguito sup.</i>	Bottom hose <i>Manguito inf.</i>
		1	2	3	4	5
<b>6 cylinder engines / Motores 6 cilindros</b>						
7200 7400 Less cab / <i>Sin cabina</i>	6059T 6068T	26/150-184 (RE52498, RE67333)	26/151-91 (AL78005) Pressure Cap <i>Tapón a presión</i>	26/152-11 (AL76662, AL110979)	26/153-329 (R113176)	26/154-309 (L100590)
7200 7400 With cab / <i>Con cabina</i>	6059T 6068T	26/150-72 (RE49167, RE165030)				
7210 Less cab / <i>Sin cabina</i>	6068T Power Tech	26/150-184 (RE67333)	26/151-92 (AL76661) Filler Cap <i>Tapón de llenado</i>	26/152-11 (AL76662, AL110979)	26/153-332 (R133844)	26/154-320 (R128231)
7210 With cab / <i>Con cabina</i> 7410, 7510		26/150-72 (RE64205, RE165030)				
7500 (⇔001336)	6068T	26/150-179 (AL110419, AL115004)	-	-	-	26/154-309 (L100590)
7500 (001337 ⇔001817)	6068T Power Tech	-				-
7405 7500 (001818 ⇔)		26/150-181 (AL115730, AL118572)				
7505	6068T Power Tech	-	-	-	26/153-324 (L114593)	-
7600	6068T	26/150-71 (RE50311, RE63188)	26/151-93 (RE43593)	26/152-2 (AT13740)	26/153-330 (R95018)	26/154-318 (R95020)
7700, 7800	6076T				26/153-331 (R95019)	26/154-319 (R95021)
7610, 7810 (BR) Less cab / <i>Sin cabina</i>	6068T Power Tech				26/153-333 (R133018)	26/154-321 (R128002)
7610, 7810 (BR) With cab / <i>Con cabina</i>					26/153-334 (R130571)	
7710 & 7810 (USA) (⇔089999)	6081T Power Tech				26/153-331 (R95019)	26/154-322 (R133960)

Part numbers are quoted for reference purposes only.  
Our parts and accessories are not original.

**"THE RELIABLE SERVICE"**

Las referencias originales tienen un propósito identifica-  
tivo. Nuestras piezas no son originales

**RADIATORS & HOSES**  
**RADIADORES Y MANGUITOS**



See pages 216 to 219 for the photos and dimensions of the parts shown below. / Ver páginas de 216 a 219 para fotos y dimensiones de los artículos siguientes.

Tractors Tractores	Engines Motores	Radiator Radiador	Radiator cap Tapon radiador	Drain tap Grifo de drenaje	Top hose Manguito sup.	Bottom hose Manguito inf.
		1	2	3	4	5
<b>6 cylinder engines / Motores 6 cilindros</b>						
7220, 7320 (⇔004516) 7420 (USA), 7520 (USA) (⇔012453)	6068 T & H Power Tech	<b>26/150-183</b> (AL163358, AL176362)	<b>26/151-91</b> (AL78005)		<b>26/153-326</b> (L153012)	<b>26/154-312</b> (L165802)
7220, 7320 (004517⇔) 7420 (USA), 7520 (USA) (012454⇔) With PowerQuad transmission Con transmisión PowerQuad					<b>26/153-327</b> (L154796)	
7220, 7320 (004517⇔) 7420 (USA), 7520 (USA) (012454⇔) With infinitely variable transmission Transmisión con variación continua de velocidad					<b>26/153-328</b> (L154844)	
7420 (MEX), 7520 (MEX)	6068T Power Tech	-	<b>26/151-91</b> (AL78005) Pressure Cap Tapón a presión	<b>26/152-12</b> (AL155781)	<b>26/153-326</b> (L153012)	<b>26/154-312</b> (L116243, L165802)
7425, 7525		<b>26/150-183</b> (AL176362)	<b>26/151-92</b> (AL76661) Filler Cap Tapón de llenado		<b>26/153-327</b> (L154796)	
7130, 7130PR, 7230, 7230PR, 7330, 7330PR, 7430PR (USA)	6068H Power Tech E	-	<b>26/151-91</b> (AL78005)		-	
7130PR, 7230PR, 7330PR, 7430PR, 7530PR	6068H Power Tech Plus	-				
8560 (003101⇔), 8570 (005101⇔)	6076H	<b>26/150-185</b> (RE47602)	<b>26/151-94</b> (RE49908)	<b>26/152-2</b> (AT13740)	<b>26/153-337</b> (R110656)	<b>26/154-337</b> (R110654)
8760, 8770	6101H	<b>26/150-186</b> (RE50741)			<b>26/153-338</b> (R110670)	<b>26/154-338</b> (R110669)
8870						

Part numbers are quoted for reference purposes only.  
 Our parts and accessories are not original.

**"THE RELIABLE SERVICE"**

Las referencias originales tienen un propósito identificativo. Nuestras piezas no son originales.



**RADIATORS**  
**RADIADORES**


				
L x l x H mm	26/150-36 530x85x610mm	26/150-37 343x70x437mm	26/150-38 345x60x424mm	26/150-63 347x75x472mm
				
26/150-64 486x70x618mm	26/150-65 407x73x592mm	26/150-66 467x65x527mm	26/150-67 483x65x613mm	26/150-68 494x65x444mm
				
26/150-69 498x85x515mm	26/150-70 480x70x650mm	26/150-71 545x80x715mm	26/150-72 500x70x576mm	26/150-75 510x74x516mm
				
26/150-102 468x55x468mm	26/150-103 500x500x95mm	26/150-104 480x62x508mm	26/150-105 496x70x399mm	26/150-169 480x95x430mm
				
26/150-171 483x64x400mm	26/150-172 483x64x400mm	26/150-174 530x72x433mm	26/150-175 545x130x510mm	26/150-177 495x55x647mm

Part numbers are quoted for reference purposes only.  
 Our parts and accessories are not original.

**"THE RELIABLE SERVICE"**

Las referencias originales tienen un propósito identificativo. Nuestras piezas no son originales

**RADIATORS**  
**RADIADORES**

				
<b>26/150-178</b> 580x108x520mm	<b>26/150-179</b> 580x108x520mm	<b>26/150-180</b> 580x108x520mm	<b>26/150-181</b> 580x108x520mm	<b>26/150-182</b> 510x74x516mm
				
<b>26/150-183</b> 570x130x545mm	<b>26/150-184</b> 580x108x520mm	<b>26/150-185</b> 785x100x928mm	<b>26/150-186</b> 785x115x928mm	

**RADIATOR CAPS AND DRAIN COCKS**  
**TAPONES DE RADIADOR Y GRIFOS**









































				
<b>26/151-9</b>	<b>26/151-10</b>	<b>26/151-20</b>	<b>26/151-84</b>	<b>26/151-85</b>
				
<b>26/151-86</b>	<b>26/151-87</b> 7 Psi	<b>26/151-89</b> 15 Psi	<b>26/151-90</b> 10 Psi	<b>26/151-91</b>
				
<b>26/151-92</b>	<b>26/151-93</b>	<b>26/151-94</b>	<b>26/152-2</b>	<b>26/152-6</b>
				
<b>26/152-11</b>	<b>26/152-12</b>			

Part numbers are quoted for reference purposes only.  
 Our parts and accessories are not original.

**"THE RELIABLE SERVICE"**

Las referencias originales tienen un propósito identificativo. Nuestras piezas no son originales

**HOSES**  
**MANGUITOS**






























				
26/153-16 Ø39 - Ø39 mm	26/153-17 Ø37 - Ø37 mm	26/153-18 Ø49 - Ø53 mm	26/153-19 Ø48 - Ø53 mm	26/153-20 Ø38 - Ø38 mm
				
26/153-21 Ø38 - Ø38 mm	26/153-22 Ø49 - Ø51 mm	26/153-70 Ø38 - Ø38 mm	26/153-301 Ø36 - Ø36 mm	26/153-302 Ø36 - Ø48 mm
				
26/153-303 Ø36 - Ø48 mm	26/153-304 Ø37 - Ø37 mm	26/153-305 Ø37 - Ø37 mm	26/153-306 Ø47 - Ø37 mm	26/153-307 Ø37 - Ø37 mm
				
26/153-309 Ø37 - Ø37 mm	26/153-310 Ø48 - Ø48 mm	26/153-311 Ø43 - Ø43 mm	26/153-312 Ø57 - Ø57 mm	26/153-313 Ø58 - Ø58 mm
				
26/153-314 Ø59 - Ø58 mm	26/153-315 Ø59 - Ø59 mm	26/153-316 Ø57 - Ø57 mm	26/153-317 Ø57 - Ø57 mm	26/153-318 Ø58 - Ø57 mm
				
26/153-319 Ø55 - Ø48 mm	26/153-320 Ø50 - Ø50mm	26/153-321 Ø48 - Ø52 mm	26/153-323 Ø58 - Ø57 mm	26/153-324 Ø55 - Ø48 mm
				
26/153-325 Ø60 - Ø59 mm	26/153-326 Ø58 - Ø58 mm	26/153-327 Ø59 - Ø59 mm	26/153-328 Ø59 - Ø59mm	26/153-329 Ø57 - Ø57 mm
				
26/153-330 Ø57 - Ø50 mm	26/153-331 Ø61 - Ø50 mm	26/153-332 Ø57 - Ø57 mm	26/153-333 Ø50 - Ø61 mm	26/153-334 Ø57 - Ø50 mm

Part numbers are quoted for reference purposes only.  
 Our parts and accessories are not original.

**"THE RELIABLE SERVICE"**

Las referencias originales tienen un propósito identificativo. Nuestras piezas no son originales

**HOSES**  
**MANGUITOS**

				
26/153-335 Ø37 - Ø37 mm	26/153-337 Ø62 - Ø62 mm	26/153-338 Ø62 - Ø62 mm		
				
26/154-16 Ø46 - Ø46 mm	26/154-18 Ø56 - Ø61 mm	26/154-21 Ø46 - Ø48 mm	26/154-22 Ø49 - Ø57 mm	26/154-23 Ø50 - Ø45 mm
				
26/154-70 Ø47 - Ø50 mm	26/154-302 Ø49 - Ø47 mm	26/154-303 Ø46 - Ø48 mm	26/154-304 Ø47 - Ø37 mm	26/154-305 Ø50 - Ø48 mm
				
26/154-306 Ø44 - Ø49 mm	26/154-307 Ø43 - Ø49 mm	26/154-308 Ø60 - Ø60 - Ø22 mm	26/154-309 Ø59 - Ø59 - Ø22 mm	26/154-310 Ø58 - Ø59 mm
				
26/154-311 Ø58 - Ø49 mm	26/154-312 Ø58 - Ø50 mm	26/154-313 Ø57 - Ø50 mm	26/154-314 Ø57 - Ø50 mm	26/154-318 Ø57 - Ø50 mm
				
26/154-319 Ø50 - Ø50 mm	26/154-320 Ø60 - Ø50 mm	26/154-321 Ø60 - Ø48 mm	26/154-322 Ø50 - Ø50 mm	26/154-337 Ø62 - Ø49 mm
				
26/154-338 Ø62 - Ø72 mm				

Part numbers are quoted for reference purposes only.  
 Our parts and accessories are not original.

**"THE RELIABLE SERVICE"**

Las referencias originales tienen un propósito identificativo. Nuestras piezas no son originales

## NOSES CLIPS ABRAZADERAS DE MANGUITO

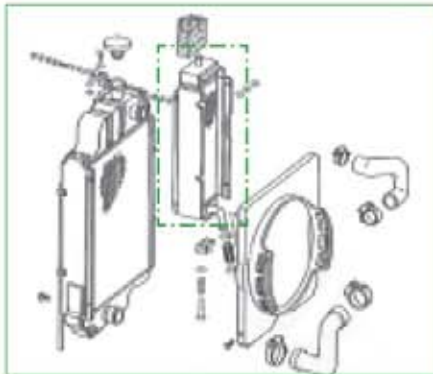
### Hoses clips / Abrazaderas de manguito

Ref. / Ref.	Ø Adjustment / Ajuste	
	mm	Inch / pulg.
70/2940-012	9,5 - 12	3/8 - 1/2
70/2940-022	16 - 22	5/8 - 7/8
70/2940-025	18 - 25	3/4 - 1
70/2940-030	22 - 30	7/8 - 1 <sup>1/8</sup>
70/2940-035	25 - 35	1 - 1 <sup>3/8</sup>
70/2940-040	30 - 40	1 <sup>1/8</sup> - 1 <sup>5/8</sup>
70/2940-050	35 - 50	1 <sup>1/4</sup> - 1 <sup>7/8</sup>
70/2940-055	40 - 55	1 <sup>1/2</sup> - 2 <sup>1/8</sup>



Ref. / Ref.	Ø Adjustment / Ajuste	
	mm	Inch / pulg.
70/2940-060	45 - 60	1 <sup>3/4</sup> - 2 <sup>3/8</sup>
70/2940-070	55 - 70	2 - 2 <sup>3/4</sup>
70/2940-080	60 - 80	2 <sup>3/8</sup> - 3 <sup>1/8</sup>
70/2940-090	70 - 90	2 <sup>3/4</sup> - 3 <sup>1/2</sup>
70/2940-100	85 - 100	3 <sup>1/8</sup> - 4
70/2940-120	90 - 120	3 <sup>3/4</sup> - 4 <sup>1/2</sup>
70/2940-140	120 - 140	4 <sup>1/2</sup> - 5 <sup>1/2</sup>
70/2940-160	140 - 160	5 <sup>1/2</sup> - 6 <sup>1/4</sup>

## HYDRAULIC OIL COOLER ENFRIADOR DE ACEITE DEL CIRCUITO HIDRÁULICO



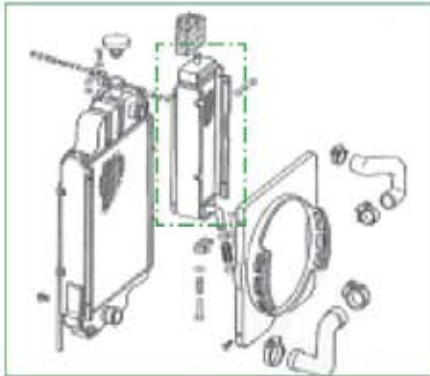
Tractors Tractores	Engines Motores	Oil cooler Enfriador de aceite
<b>3 cylinder engines / Motores 3 cilindros</b>		
1020 (EU ↔085099), 1020 (USA)	3152D	
1120 (EU 085100↔), 1120 930VU, 1030VU, 1035EV (066532↔) 1030 (ES), 1030OU, 1035, 1035EF 1520, 1530	3164D	<b>26/628-2 (2)</b> (AT20848, AR69398, AT169229)
830 (EU), 930 1030 (DE), 1130		<b>26/628-4 (3)</b> (AL32639, AL71285)
1630 (DE)		<b>26/628-2 (2)</b> (AT20848, AR69398, AT169229)
1630 (ES), 1630OU, 1635, 1635EF 1630VU & 1635EV (066532↔)		<b>26/628-4 (3)</b> (AL32639, AL71285)
840, 940 (DE), 1040 (DE), 1040 (ES), 1140 (DE), 1140 (ES), 1140F		<b>26/628-2 (2)</b> (AR69398, AT169229)
1350, 1550, 1750, 1850 (DE), 1850N (↔621999) 1850 & 1850F (ES ↔155860)	3179D	<b>26/628-4 (3)</b> (AL32639, AL71285)
2240 (↔349999)		<b>26/628-2 (2)</b> (AR69398, AT169229)
2150, 2255 2155 (↔621999) 2240 (350000↔)		<b>26/628-4 (3)</b> (AL32639, AL71285)
<b>4 cylinder engines / Motores 4 cilindros</b>		
2020	4202D	<b>26/628-2 (2)</b> (AT20848, AR69398, AT169229)
2030 (ES), 2030 (USA), 2030OU, 2035, 2035EF 2120 2440	4219D	<b>26/628-4 (3)</b> (AL32639, AL71285)
1830 2030 (DE)		<b>26/628-2 (2)</b> (AT20848, AR69398, AT169229)
2130 (DE)	4239D	<b>26/628-4 (3)</b> (AL32639, AL71285)
2130 (ES), 2130 (USA), 2135		<b>26/628-2 (2)</b> (AT20848, AR69398, AT169229)

Part numbers are quoted for reference purposes only.  
 Our parts and accessories are not original.

**"THE RELIABLE SERVICE"**

Las referencias originales tienen un propósito identificativo. Nuestras piezas no son originales.

## HYDRAULIC OIL COOLER REFRIGERANTE DE ACEITE DEL CIRCUITO HIDRÁULICO



Tractors <i>Tractores</i>	Engines <i>Motores</i>	Oil cooler <i>Enfriador de aceite</i>
<b>4 cylinder engines / Motores 4 cilindros</b>		
1640, 1840 2040 (EU), 2040S 2350, 2550	4239D	26/628-1 (1) (AL31239, AL38448)
2140 2750	4239T	
2630, 2640	4276D	26/628-2 (2) (AT20848, AF69398, AT169229)
<b>6 cylinder engines / Motores 6 cilindros</b>		
2940, 2950 3040, 3140, 3150 (USA), 3340, 3640	6359D	26/628-1 (1) (AL31239, AL38448)
3640S	6359T	

**FILTERS**  
**FILTROS**



See pages 256-259 for the photos and dimensions of the parts. / Ver páginas de 256 a 259 para fotos y dimensiones de los artículos siguientes.

Tractors <i>Tractores</i>	Engine <i>Motor</i>	Air / Aire		Oil <i>Aceite</i>	Fuel <i>Combustible</i>
		Out. / Ext.	Inn. / Int.		
		1	2	3	4
<b>"T" SERIES / SERIE "T"</b>					
T300, T500, T700	-	-	-	60/97-7 (T19044)	60/111-28 (L12824)
<b>**10 SERIES / SERIE **10</b>					
<i>3 cylinder engines / Motores 3 cilindros</i>					
310, 510	3152D	60/161-7 (AT20728)	-	60/97-7 (T19044)	60/111-3 (AT17387)
<i>4 cylinder engines / Motores 4 cilindros</i>					
710	4202D	60/161-7 (AT20728)	-	60/97-7 (T19044)	60/111-3 (AT17387)
2510		60/161-350 (AH19848)	-		
3010	4270D	-	-	60/97-256 (AR26350, AR28110)	60/111-274 (AR44077, AR28611)
<i>6 cylinder engines / Motores 6 cilindros</i>					
4010	6404D	-	-	60/97-256 (AR26350, AR28110)	60/111-274 (AR44077, AR28611)
<b>**20 SERIES / SERIE **20</b>					
<i>3 cylinder engines / Motores 3 cilindros</i>					
820 (EU), 920	3152D	60/161-7 (AT20728) (↔ 190319)	60/162-8 (AE31724, AL27159)	60/97-7 (T19044)	60/111-3 (AT17387) (ESN↔173884)
820 (USA)		60/161-8 (AR84228, AE31723) (190320↔)			
1020 (EU)	3152D 3164D	60/161-7 (AT20728) (↔ 190319)	60/162-8 (AE31724, AL27159)		
		60/161-8 (AR84228, AE31723) (190320↔)			
1020 (USA)	3152D	60/161-7 (AT20728)	-		60/111-12 (AR50041)

Part numbers are quoted for reference purposes only.  
 Our parts and accessories are not original.

**"THE RELIABLE SERVICE"**

Las referencias originales tienen un propósito identificativo. Nuestras piezas no son originales



## FILTERS FILTROS



See pages 256-259 for the photos and dimensions of the parts. / Para las fotos y dimensiones de los artículos, ver página 256-259.

Tractors <i>Tractores</i>	Engine <i>Motor</i>	Air / <i>Aire</i>		Oil <i>Aceite</i>	Fuel <i>Combustible</i>
		Out. / <i>Ext.</i>	Inn. / <i>Int.</i>		
		1	2	3	4
<b>**20 SERIES / SERIE **20</b>					
<b>3 cylinder engines / Motores 3 cilindros</b>					
1120	3164D	60/161-7 (AT20728) (↔190319) 60/161-8 (AR84228, AE31723) (190320↔)	60/162-8 (AE31724, AL27159)	60/97-7 (T19044)	60/111-3 (AT17387) (ESN↔173884) 60/111-12 (AR50041) (ESN 173885↔)
1520		60/161-7 (AT20728)	-		60/111-12 (AR50041)
<b>4 cylinder engines / Motores 4 cilindros</b>					
2020 (EU)	4202D	60/161-7 (AT20728) (↔190319) 60/161-8 (AR84228, AE31723) (190320↔)	60/162-8 (AE31724, AL27159)	60/97-7 (T19044)	60/111-3 (AT17387)
2020 (USA)		60/161-7 (AT20728)	-		
2120	4219D	60/161-7 (AT20728) (↔190319) 60/161-8 (AR84228, AE31723) (190320↔)	60/162-8 (AE31724, AL27159)	60/97-7 (T19044)	60/111-3 (AT17387)
2520		60/161-350 (AH19848) With pre-cleaner <i>Con prefiltro</i> 60/161-351 (AR46481) Without pre-cleaner <i>Sin prefiltro</i>	-		
3020	4270D	60/161-62 (AR39798) Diesel with pre-cleaner <i>Diesel con prefiltro</i> 60/161-350 (AH19848) Gasoline & LP with pre-cleaner <i>Gasolina &amp; LP con prefiltro</i> 60/161-351 (AR46481) Less pre-cleaner / <i>Sin prefiltro</i>	-	60/97-256 (AR26350, AR28110)	60/111-12 (AR50041) 60/111-275 (AR45098, AR33926, AR45097) 60/111-274 (AR44077, AR28611) (125000↔280000)

Part numbers are quoted for reference purposes only.  
Our parts and accessories are not original.

**"THE RELIABLE SERVICE"**

Las referencias originales tienen un propósito identifica-  
tivo. Nuestras piezas no son originales

**FILTERS**  
**FILTROS**



See pages 256-259 for the photos and dimensions of the parts. / Ver páginas de 256 a 259 para fotos y dimensiones de los artículos siguientes.

Tractors <i>Tractores</i>	Engine <i>Motor</i>	Air / <i>Aire</i>		Oil <i>Aceite</i>	Fuel <i>Combustible</i>
		Out. / <i>Ext.</i>	Inn. / <i>Int.</i>		
<b>**20 SERIES / SERIE **20</b>					
<b>6 cylinder engines / Motores 6 cilindros</b>					
3120	6303D	<b>60/161-9</b> (AL27158, AR39799, AT33363)		<b>60/97-7</b> (T19044)	<b>60/111-3</b> (AT17387)
4000, 4020	6404D	<b>60/161-9</b> (AL27158, AR39799, AT33363) <i>Diesel / Diesel</i> <b>60/161-62</b> (AR39798) <i>Gasoline / Gasolina</i> <b>60/161-352</b> (AR44774) <i>LP-Gas / Gas</i>		<b>60/97-256</b> (AR26350, AR28110)	<b>60/111-12</b> (AR50041) <b>60/111-275</b> (AR45098, AR33926, AR45097) <b>60/111-274</b> (AR44077, AR28611) (125000↔280000)
4320	6404T	<b>60/161-37</b> (AR49839, AR79679)	<b>60/162-37</b> (AR49840, AR79680, AR61968)	<b>60/97-20</b> (AR43634)	<b>60/111-12</b> (AR50041)
4520		<b>60/161-353</b> (AR43941) (ESN↔303518)	<b>60/162-242</b> (AR61988)		<b>60/111-12</b> (AR50041)
4620		<b>60/161-354</b> (AR51431) (ESN 303519↔)			<b>60/111-274</b> (AR44077, AR28611)
7020	6404A	<b>60/161-354</b> (AR51431)			<b>60/111-12</b> (AR50041)
		<b>60/161-242</b> (AR54404)			
<b>**30 SERIES / SERIE **30</b>					
<b>3 cylinder engines / Motores 3 cilindros</b>					
830 (USA)	3152D	<b>60/161-7</b> (AT20728) (↔190319)	<b>60/162-8</b> (AE31724, AL27159)	<b>60/97-7</b> (T19044)	<b>60/111-12</b> (AR50041)
830 (EU), 930, 1030 (DE), 1130	3164D	<b>60/161-8</b> (AR84228, AE31723) (190320↔)			
930VU, 1030VU	3164D	<b>60/161-7</b> (AT20728) (↔078185) <b>60/161-8</b> (AR84228, AE31723) (078186↔)			

Part numbers are quoted for reference purposes only.  
 Our parts and accessories are not original.

**"THE RELIABLE SERVICE"**

Las referencias originales tienen un propósito identificativo. Nuestras piezas no son originales.

## FILTERS FILTROS



See pages 256-259 for the photos and dimensions of the parts. / Ver páginas de 256 a 259 para fotos y dimensiones de los artículos siguientes..

Tractors <i>Tractores</i>	Engine <i>Motor</i>	Air / Aire		Oil <i>Aceite</i>	Fuel <i>Combustible</i>	
		Out. / Ext.	Inn. / Int.			
		1	2	3	4	
<b>**30 SERIES / SERIE **30</b>						
<b>3 cylinder engines / Motores 3 cilindros</b>						
1030 (ES), 1030OU	3164D	60/161-7 (AT20728) (↔056699)		60/162-8 (AE31724, AL27159)	60/97-7 (T19044)	60/111-12 (AR50041)
		60/161-8 (AR84228, AE31723) (056700↔)				
1530	60/161-7 (AT20728) (↔190319)					
1630 (DE)	60/161-8 (AR84228, AE31723) (190320↔)					
1630 (ES), 1630OU	60/161-7 (AT20728) (↔056699)					
	3179D	60/161-8 (AR84228, AE31723) (056700↔)				
1630VU		60/161-7 (AT20728) (↔078185)				
	60/161-8 (AR84228, AE31723) (078186↔)					
<b>4 cylinder engines / Motores 4 cilindros</b>						
1830, 2030 (DE), 2030 (USA)	4219D	60/161-7 (AT20728) (↔190319)	60/162-8 (AE31724, AL27159)	60/97-7 (T19044)	60/111-12 (AR50041)	
		60/161-8 (AR84228, AE31723) (190320↔)				
2030 (ES), 2030OU	60/161-7 (AT20728) (↔056699)					
	60/161-8 (AR84228, AE31723) (056700↔)					

Part numbers are quoted for reference purposes only.  
Our parts and accessories are not original.

**"THE RELIABLE SERVICE"**

Las referencias originales tienen un propósito identificativo. Nuestras piezas no son originales.

**FILTERS**  
**FILTROS**



See pages 256-259 for the photos and dimensions of the parts. / Ver páginas de 256 a 259 para fotos y dimensiones de los artículos siguientes.

Tractors <i>Tractores</i>	Engine <i>Motor</i>	Air / Aire		Oil <i>Aceite</i>	Fuel <i>Combustible</i>
		Out. / Ext.	Inn. / Int.		
1					
2					
3					
4					
<b>**30 SERIES / SERIE **30</b>					
<b>4 cylinder engines / Motores 4 cilindros</b>					
2130 (DE)	4239D	60/161-7 (AT20728) (↔190319)	60/162-8 (AE31724, AL27159)	60/97-7 (T19044)	60/111-12 (AR50041)
2130 (ES)		60/161-7 (AT20728) (↔056699)			
2630	4276D	60/161-8 (AR84228, AE31723) (056700↔)			
<b>6 cylinder engines / Motores 6 cilindros</b>					
3030, 3130 (DE)	6329D	60/161-9 (AL27158, AR39799, AT33363)	60/162-9 (AL27160) (192100↔)	60/97-7 (T19044)	60/111-12 (AR50041)
3130 (ES)			60/162-365 (AL27161)		
4030	6404D	60/161-11 (AR79941, AR54336)	60/162-11 (AR79942, AR54337)	60/97-20 (AR43634) Diesel / Diesel	60/111-12 (AR50041)
4230				60/97-256 (AR26350, AR28110) Gasoline / Gasolina	
4430	6404T	60/161-37 (AR79679, AR61967)	60/162-37 (AR79680, AR61968)	60/97-20 (AR43634)	60/111-29 (AR86755) Water separator Separador de agua
4630	6404A	60/161-355 (AR82915, AR57024)	60/162-355 (AR81313, AR57025)		
8430	6486A				
8630	6619A	60/161-152 (AR70106)	60/162-152 (AR70107)	60/97-20 (AR43634) (↔040123)	60/111-27 (AR86745, RE27081)
				60/97-17 (RE57394) (040124↔)	60/111-29 (AR86755) Water separator Separador de agua
				60/97-243 (RE21748) Engine bypass Bypass motor	60/111-255 (RE11982, AR94650) Engine Coolant Refrigerante motor

Part numbers are quoted for reference purposes only.  
Our parts and accessories are not original.

**"THE RELIABLE SERVICE"**

Las referencias originales tienen un propósito identificativo. Nuestras piezas no son originales.

## FILTERS FILTROS



See pages 256-259 for the photos and dimensions of the parts. / Ver páginas de 256 a 259 para fotos y dimensiones de los artículos siguientes.

Tractors <i>Tractores</i>	Engine <i>Motor</i>	Air / <i>Aire</i>		Oil <i>Aceite</i>	Fuel <i>Combustible</i>
		Out. / <i>Ext.</i>	Inn. / <i>Int.</i>		
		1	2	3	4
<b>**35 SERIES / SERIE **35</b>					
3 cylinder engines / <i>Motores 3 cilindros</i>					
1035, 1035EF	3164D	60/161-7 (AT20728) (⇒056699)	60/162-8 (AE31724, AL27159)	60/97-7 (T19044)	60/111-12 (AR50041)
1035EV		60/161-8 (AR84228, AE31723, AL65501) (056700⇔)			
1635EV	60/161-7 (AT20728) (⇒078185)	60/162-8 (AE31724, AL27159) (078186⇔)			
1635, 1635EF	3179D	60/161-8 (AR84228, AE31723) (078186⇔)	60/162-8 (AE31724, AL27159)		
4 cylinder engines / <i>Motores 4 cilindros</i>					
2035, 2035EF	4219D	60/161-7 (AT20728) (⇒056699)	60/162-8 (AE31724, AL27159)	60/97-7 (T19044)	60/111-12 (AR50041)
2135	4239D	60/161-8 (AR84228, AE31723) (056700⇔)			
6 cylinder engines / <i>Motores 6 cilindros</i>					
3135	6329D	60/161-9 (AL27158, AR39799, AT33363) (078186⇔)	60/162-365 (AL27161) (078186⇔)	60/97-7 (T19044)	60/111-12 (AR50041)
<b>**40 SERIES / SERIE **40</b>					
3 cylinder engines / <i>Motores 3 cilindros</i>					
840, 940, 1040, 1140	3179D	60/161-8 (AR84228, AE31723)	60/162-8 (AE31724, AL27159)	60/97-7 (T19044)	60/111-12 (AR50041)

Part numbers are quoted for reference purposes only.  
 Our parts and accessories are not original.

**"THE RELIABLE SERVICE"**

Las referencias originales tienen un propósito identificativo. Nuestras piezas no son originales.

**FILTERS**  
**FILTROS**



See pages 256-259 for the photos and dimensions of the parts. / Ver páginas de 256 a 259 para fotos y dimensiones de los artículos siguientes.

Tractors <i>Tractores</i>	Engine <i>Motor</i>	Air / <i>Aire</i>		Oil <i>Aceite</i>	Fuel <i>Combustible</i>
		Out. / <i>Ext.</i>	Inn. / <i>Int.</i>		
1					
2					
3					
4					
<b>**40 SERIES / SERIE **40</b>					
<b>3 cylinder engines / Motores 3 cilindros</b>					
2040 (USA)	3164D 3179D	<b>60/161-7</b> (AT20728) (↔190319)	<b>60/162-8</b> (AE31724, AL27159) (190320↔)	<b>60/97-7</b> (T19044)	<b>60/111-12</b> (AR50041)
2240	3179D	<b>60/161-8</b> (AR84228, AE31723) (190320↔)			
<b>4 cylinder engines / Motores 4 cilindros</b>					
1640, 1840, 2040 (EU), 2040S (ES)		<b>60/161-8</b> (AR84228, AE31723)	<b>60/162-8</b> (AE31724, AL27159)		
2040S (DE)	4239D	<b>60/161-8</b> (AR84228, AE31723) <b>60/161-10</b> (AL30394, DE17263) (430000↔) With increased lifting capacity <i>Con capacidad aumentada del ele- vador</i>	<b>60/162-8</b> (AE31724, AL27159) <b>60/162-10</b> (CE16309, L34832, AL30395) (430000↔) With increased lifting capacity <i>Con capacidad aumentada del ele- vador</i>	<b>60/97-7</b> (T19044)	<b>60/111-12</b> (AR50041)
2140	4239T	<b>60/161-10</b> (AL30394, DE17263)	<b>60/162-10</b> (CE16309, L34832, AL30395)		
2440	4219D	<b>60/161-7</b> (AT20728) (↔272224) <b>60/161-8</b> (AR84228, AE31723) (272225↔)	<b>60/162-8</b> (AE31724, AL27159) (272225↔)		
2640	4276D	<b>60/161-8</b> (AR84228, AE31723)	<b>60/162-8</b> (AE31724, AL27159)		
<b>6 cylinder engines / Motores 6 cilindros</b>					
2840	6329D	<b>60/161-9</b> (AL27158, AR39799, AT33363)	<b>60/162-9</b> (AL27160)	<b>60/97-7</b> (T19044)	<b>60/111-12</b> (AR50041)
2940, 3040	6359D	<b>60/161-10</b> (AL30394, DE17263)	<b>60/162-10</b> (CE16309, L34832, AL30395)		

Part numbers are quoted for reference purposes only.  
Our parts and accessories are not original.

**"THE RELIABLE SERVICE"**

Las referencias originales tienen un propósito identificativo. Nuestros piezas no son originales.

## FILTERS FILTROS



See pages 256-259 for the photos and dimensions of the parts. / Ver páginas de 256 a 259 para fotos y dimensiones de los artículos siguientes.

Tractors <i>Tractores</i>	Engine <i>Motor</i>	Air / <i>Aire</i>		Oil <i>Acelte</i>	Fuel <i>Combustible</i>
		Out. / <i>Ext.</i>	Inn. / <i>Int.</i>		
**40 SERIES / <i>SERIE **40</i>					
6 cylinder engines / <i>Motores 6 cilindros</i>					
3140 (DE)	6359D	60/161-10 (AL30394, DE17263)	60/162-10 (CE16309, L34832, AL30395)	60/97-7 (T19044)	60/111-12 (AR50041)
3140 (ES)		60/161-11 (AR79941, AR54336) With altitude compensator <i>Con compensador de altitud</i>	60/162-11 (AR79942, AR54337) With altitude compensator <i>Con compensador de altitud</i>		
3340		60/161-10 (AL30394, DE17263)	60/162-10 (CE16309, L34832, AL30395)		
3640		60/161-11 (AR79941, AR54336)	60/162-11 (AR79942, AR54337)		
3640S, 4040, 4040S		60/161-10 (AL30394, DE17263)	60/162-10 (CE16309, L34832, AL30395)		
4040		60/161-11 (AR79941, AR54336)	60/162-11 (AR79942, AR54337)		
4240		60/161-11 (AR79941, AR54336)	60/162-11 (AR79942, AR54337)		
4240S, 4440	6466T	60/161-37 (AR49839, AR79679)	60/162-37 (AR49840, AR79680, AR61988)	60/97-20 (AR43634)	60/111-12 (AR50041)  60/111-29 (AR86755) Water separator <i>Separador de agua</i>
4640, 4840	6466A	60/161-150 (AR80652)	60/162-150 (AR80653)		
8440		60/161-152 (AR70106)	60/162-152 (AR70107)		

Part numbers are quoted for reference purposes only.  
Our parts and accessories are not original.

**"THE RELIABLE SERVICE"**

Las referencias originales tienen un propósito identificativo. Nuestras piezas no son originales.

**FILTERS**  
**FILTROS**



See pages 256-259 for the photos and dimensions of the parts. / Ver páginas de 256 a 259 para fotos y dimensiones de los artículos siguientes.

Tractors <i>Tractores</i>	Engine <i>Motor</i>	Air / Aire		Oil <i>Aceite</i>	Fuel <i>Combustible</i>
		Out. / Ext.	Inn. / Int.		
		1	2	3	4
<b>**40 SERIES / SERIE **40</b>					
6 cylinder engines / Motores 6 cilindros					
8640	6619A	60/161-152 (AR70106)	60/162-152 (AR70107)	60/97-20 (AR43634) (↔040123)  60/97-17 (RE57394) (040124↔)  60/97-243 (RE21748) Engine bypass Bypass motor	60/111-27 (AR86745, RE27091)  60/111-29 (AR86755) Water separator Separador de agua  60/111-255 (RE11992, AR94650) Engine Coolant Refrigerante motor
<b>**45 SERIES / SERIE **45</b>					
3 cylinder engines / Motores 3 cilindros					
1445F, 1745F, 1845F	3179D	60/161-7 (RE45825, FG6340316)	60/162-366 (FG6340327)	60/97-7 (T19044)	60/111-12 (AR50041)
2345F	3179T	60/161-356 (FG6340328)	60/162-356 (FG6340329)		
<b>**50 SERIES / SERIE **50</b>					
3 cylinder engines / Motores 3 cilindros					
1350, 1550, 1750, 1850 (DE), 1850N	3179D	60/161-8 (AR84228, AE31723) (↔621999)	60/162-8 (AE31724, AL27159)	60/97-7 (T19044)	60/100-67 (AL67975) Pre-filter / Prefiltro  60/111-12 (AR50041)
1750V, 1850V		60/161-357 (AL65051) (822000↔)			
1850 (ES), 1850F		60/161-8 (AR84228, AE31723)			
1950, 1950N	60/161-357 (AL65051)				
2150	3179D	60/161-8 (AR84228, AE31723)			

Part numbers are quoted for reference purposes only.  
 Our parts and accessories are not original.

**"THE RELIABLE SERVICE"**

Las referencias originales tienen un propósito identificativo. Nuestros piezas no son originales.



**FILTERS**  
**FILTROS**



See pages 256-259 for the photos and dimensions of the parts. / Ver páginas de 256 a 259 para fotos y dimensiones de los artículos siguientes.

Tractors <i>Tractores</i>	Engine <i>Motor</i>	Air / Aire		Oil <i>Aceite</i>	Fuel <i>Combustible</i>
		Out. / Ext.	Inn. / Int.		
		1	2	3	4
<b>**50 SERIES / SERIE **50</b>					
4 cylinder engines / Motores 4 cilindros					
2250 (DE)	4239D	60/161-357 (AL65051) (634103↔)	60/162-8 (AE31724, AL27159) (634103↔)	60/97-7 (T19044)	60/111-12 (AR50041)
2250 (ES), 2250F 2450 (ES), 2450F		60/161-35 (AZ20623) (↔634102)	60/162-35 (AL58730, AL67195) (↔634102)		60/100-67 (AL67975) Pre-filter / Prefiltro
2350		60/161-10 (AL30394, DE17263)	60/162-10 (CE16309, L34832, AL30395)		60/111-12 (AR50041)
2450 (DE)		60/161-8 (AR84228, AE31723)	60/162-8 (AE31724, AL27159)		60/100-67 (AL67975) Pre-filter / Prefiltro
2550		60/161-357 (AL65051) (634103↔)	60/162-8 (AE31724, AL27159) (634103↔)		60/111-12 (AR50041)
2650CS (DE)		60/161-35 (AZ20623) (↔634102)	60/162-35 (AL58730, AL67195) (↔634102)		60/100-67 (AL67975) Pre-filter / Prefiltro
2650TSS (DE), 2650N 2850 (DE)		60/161-8 (AR84228, AE31723)	60/162-8 (AE31724, AL27159)		60/111-12 (AR50041)
2650 (ES), 2650F 2750, 2850 (ES)		60/161-35 (AZ20623)	60/162-35 (AL58730, AL67195)		60/111-12 (AR50041)
	4239T	60/161-10 (AL30394, DE17263)	60/162-10 (CE16309, L34832, AL30395)		

Part numbers are quoted for reference purposes only.  
 Our parts and accessories are not original.

**"THE RELIABLE SERVICE"**

Las referencias originales tienen un propósito identificativo. Nuestras piezas no son originales.

**FILTERS**  
**FILTROS**



See pages 256-259 for the photos and dimensions of the parts. / Ver páginas de 256 a 259 para fotos y dimensiones de los artículos siguientes.

Tractors <i>Tractores</i>	Engine <i>Motor</i>	Air / Aire		Oil <i>Aceite</i>	Fuel <i>Combustible</i>			
		Out. / Ext.	Inn. / Int.					
1								
2								
3								
4								
<b>**50 SERIES / SERIE **50</b>								
6 cylinder engines / Motores 6 cilindros								
2950, 3150	6359D	60/161-10 (AL30394, DE17263)	60/162-10 (CE16309, L34832, AL30395)	60/97-7 (T19044)	60/111-12 (AR50041)			
3050		60/161-35 (AZ20623)	60/162-35 (AL58730, AL67195)		60/100-67 (AL67975) Pre-filter / Prefiltro 60/111-12 (AR50041)			
3150 (ES)		60/161-10 (AL30394, DE17263)	60/162-10 (CE16309, L34832, AL30395)					
3350 (DE)		60/161-35 (AZ20623) 60/161-31 (AZ30757) With altit. compens. <i>Compensador-altitud</i>	60/162-31 (AZ30758, AL67196, AL61764)					
3350 (ES)		6359T 6359D				60/161-31 (AZ30757) With altit. compens. <i>Compensador-altitud</i>		
3650		60/161-31 (AZ30757)						
4050		6359T	60/161-11 (AR79941, AR54336) (TSN 006510⇄)			60/162-11 (AR79942, AR54337) (TSN 006510⇄)	60/97-7 (T19044)	60/111-12 (AR50041) 60/111-277 (AR103220)
4050		6466D	60/161-11 (AR79941, AR54336) (TSN⇄005510) 60/161-37 (AR79679, AR61967) (ESN 005511⇄006509)			60/162-11 (AR79942, AR54337) (TSN⇄005510) 60/162-37 (AR79680, AR61968) (ESN 005511⇄006509)	60/97-17 (RE57394, RE46380, AR98329, AR101278)	
4050E, 4250, 4350, 4450		6466T	60/161-37 (AR79679, AR61967)			60/162-37 (AR79680, AR61968)		60/111-27 (AR86745, RE27091 RE57073) 60/111-29 (AR86755) Water separator <i>Separador de agua</i> 60/111-277 (AR103220)
4650, 4850		6466A	60/161-150 (AR80652)			60/162-150 (AR80653)		

Part numbers are quoted for reference purposes only.  
 Our parts and accessories are not original.

**"THE RELIABLE SERVICE"**

Las referencias originales tienen un propósito identificativo. Nuestras piezas no son originales.

**FILTERS  
FILTROS**



See pages 256-259 for the photos and dimensions of the parts. / Ver páginas de 256 a 259 para fotos y dimensiones de los artículos siguientes.

Tractors <i>Tractores</i>	Engine <i>Motor</i>	Air / <i>Aire</i>		Oil <i>Aceite</i>	Fuel <i>Combustible</i>
		Out. / <i>Ext.</i>	Inn. / <i>Int.</i>		
		1	2	3	4
<b>**50 SERIES / SERIE **50</b>					
6 cylinder engines / <i>Motores 6 cilindros</i>					
8450	6466A			60/97-17 (RE57394, RE46380, AR98329, AR101278)	60/111-27 (AR86745, RE27091, RE57073)  60/111-277 (AR103220)
8650	6619A	60/161-152 (AR70106)	60/162-152 (AR70107)	60/97-20 (AR43634) (↔040123)  60/97-17 (RE57394) (040124↔)  60/97-243 (RE21748) Engine bypass <i>Bypass motor</i>	60/111-27 (AR86745, RE27091)  60/111-152 (RE11325) Water separator <i>Separador de agua</i>  60/111-255 (RE11992, AR94650) Engine Coolant <i>Refrigerante motor</i> 60/111-277 (AR103220) Inline Strainer <i>Filtro en línea</i>
8850	8955A (Cummins)	60/161-246 (AR95758)	60/162-246 (AR95759)	60/97-17 (RE57394)  60/97-243 (RE21748) Engine bypass <i>Bypass motor</i>	60/111-27 (AR86745, RE27091)  60/111-152 (RE11325) Water separator <i>Separador de agua</i>
<b>**55 SERIES / SERIE **55</b>					
3 cylinder engines / <i>Motores 3 cilindros</i>					
2155	3179D	60/161-8 (AR84228, AE31723) (↔621999)  60/161-357 (AL65051) (622000↔)	60/162-8 (AE31724, AL27159)	60/97-7 (T19044)	60/111-12 (AR50041)  60/100-67 (AL67975) Pre-filter / <i>Prefiltro</i>
2255		60/161-8 (AR84228, AE31723)			60/111-12 (AR50041)
2355N	3179T	60/161-357 (AL65051) (622000↔)			60/111-12 (AR50041)  60/100-67 (AL67975) Pre-filter / <i>Prefiltro</i>

Part numbers are quoted for reference purposes only.  
Our parts and accessories are not original.

**"THE RELIABLE SERVICE"**

Las referencias originales tienen un propósito identificativo. Nuestras piezas no son originales.

**FILTERS**  
**FILTROS**



See pages 256-259 for the photos and dimensions of the parts. / Ver páginas de 256 a 259 para fotos y dimensiones de los artículos siguientes.

Tractors <i>Tractores</i>	Engine <i>Motor</i>	Air / <i>Aire</i>		Oil <i>Aceite</i>	Fuel <i>Combustible</i>
		Out. / <i>Ext.</i>	Inn. / <i>Int.</i>		
		1	2	3	4
<b>**55 SERIES / SERIE **55</b>					
<b>4 cylinder engines / Motores 4 cilindros</b>					
2355, 2555CS	4239D	60/161-357 (AL65051) (634103↔)	60/162-8 (AE31724, AL27159) (634103↔)	60/97-7 (T19044)	60/111-12 (AR50041)
2555TSS	4239T	60/161-35 (AZ20623) (↔634102)	60/162-35 (AL58730, AL67195) (↔634102)		60/100-67 (AL67975) Pre-filter / <i>Prefiltro</i>
2755, 2855N		60/161-35 (AZ20623)	60/162-35 (AL58730, AL67195)		60/111-12 (AR50041) 60/100-67 (AL67975) Pre-filter / <i>Prefiltro</i> Without aux. Tank for 2855N <i>Sin depósito aux. para 2855N</i>
<b>6 cylinder engines / Motores 6 cilindros</b>					
2955, 3055, 3155	6359D	60/161-35 (AZ20623)	60/162-35 (AL58730, AL67195)	60/97-7 (T19044)	60/111-12 (AR50041)
3255	6359T	60/161-31 (AZ30757)	60/162-31 (AZ30758, AL67196, AL61764)		60/100-67 (AL67975) Pre-filter / <i>Prefiltro</i>
4055, 4255, 4455 (USA)	6076T	60/161-37 (AR79679, AR61967)	60/162-37 (AR79680, AR61968)	60/97-17 (RE57394, RE46380, AR98329, AR101278)	60/111-27 (AR86745, RE27091, RE57073)
4455 (MEX)	6486T 6076T				60/111-29 (AR86755) Water separator <i>Separador de agua</i>
4555	6076T	60/111-277 (AR103220)			
4755, 4955	6076A	60/161-150 (AR80652)	60/162-150 (AR80653)	60/111-27 (AR86745, RE27091, RE57073)	
		60/161-150 (AR80652) (↔010000)	60/162-150 (AR80653) (↔010000)	60/111-29 (AR86755) Water separator <i>Separador de agua</i>	
		60/161-358 (RE46310) (010001↔)	60/162-358 (RE46311) (010001↔)	60/111-277 (AR103220)	

Part numbers are quoted for reference purposes only.  
 Our parts and accessories are not original.

**"THE RELIABLE SERVICE"**

Las referencias originales tienen un propósito identificativo. Nuestras piezas no son originales.

**FILTERS  
FILTROS**



See pages 256-259 for the photos and dimensions of the parts. / Ver páginas de 256 a 259 para fotos y dimensiones de los artículos siguientes.

Tractors <i>Tractores</i>	Engine <i>Motor</i>	Air / <i>Aire</i>		Oil <i>Aceite</i>	Fuel <i>Combustible</i>
		Out. / <i>Ext.</i>	Inn. / <i>Int.</i>		
		1	2	3	4
<b>**60 &amp; 70** SERIES / SERIES **60 &amp; 70**</b>					
6 cylinder engines / <i>Motores 6 cilindros</i>					
4560	6076T				<b>60/111-27</b> (AR86745, RE27091, RE57073)
4760, 4960	6076A	<b>60/161-358</b> (RE46310)	<b>60/162-358</b> (RE46311)	<b>60/97-17</b> (RE57394, RE46380, AR98329, AR101278)	<b>60/111-29</b> (AR86755) Water separator <i>Separador de agua</i>
8560, 8570	6076H	<b>60/161-152</b> (AR70108)	<b>60/162-152</b> (AR70107)		<b>60/111-277</b> (AR103220)
8760	6101H	<b>60/161-246</b> (AR95758)	<b>60/162-246</b> (AR95759)	<b>60/97-246</b> (RE21058)  <b>60/97-243</b> (RE21748) Engine bypass <i>Bypass motor</i>	<b>60/111-27</b> (AR86745, RE27091)
8770, 8870					<b>60/111-152</b> (RE11325) Water separator <i>Separador de agua</i>
				<b>60/97-258</b> (RE44647)	<b>60/111-255</b> (RE11992, AR94650) Engine Coolant <i>Refrigerante motor</i>
					<b>60/111-276</b> (RE508633) Water separator <i>Separador de agua</i>
					<b>60/111-255</b> (RE11992, AR94650) Engine Coolant <i>Refrigerante motor</i>

**FILTERS**  
**FILTROS**



See pages 256-259 for the photos and dimensions of the parts. / Ver páginas de 256 a 259 para fotos y dimensiones de los artículos siguientes.

Tractors <i>Tractores</i>	Engine <i>Motor</i>	Air / <i>Aire</i>		Oil <i>Aceite</i>	Fuel <i>Combustible</i>
		Out. / <i>Ext.</i>	Inn. / <i>Int.</i>		
		1	2	3	4
<b>**60 &amp; 70** SERIES / SERIES **60 &amp; 70**</b>					
<b>6 cylinder engines / Motores 6 cilindros</b>					
8960	NTA855 (Cummins)	60/161-246 (AR95758)	60/162-246 (AR95759)	60/97-246 (RE21058) (→002527)	60/111-254 (RE160384)
8970				60/97-243 (RE21748, RE42051) (→002527) Engine bypass Bypass motor	
<b>2000 SERIES / SERIE 2000</b>					
<b>3 cylinder engines / Motores 3 cilindros</b>					
2000	5201D (Zetor)	60/161-143 (PE71011292) Donaldson 6"	60/162-143 (PE71011293) Donaldson 6"	60/97-7 (T19044)	60/111-33 (PE931260)
<b>4 cylinder engines / Motores 4 cilindros</b>					
2100	6201D (Zetor)	60/161-143 (PE71011292) Donaldson 6"	60/162-143 (PE71011293) Donaldson 6"	60/97-7 (T19044)	60/111-33 (PE931260)
2200	7201D (Zetor)				
2300 (EU)	7701D (Zetor)	60/161-143 (PE71011292) Donaldson 6"	60/162-143 (PE71011293) Donaldson 6"	60/97-7 (T19044)	60/111-359 (AP29320)
2300 (MEX)		60/161-75 (PE79011284) Woodgate 8"	60/162-75 (PE79011285) Woodgate 8"		
2400 (EU)	7301T (Zetor)	60/161-143 (PE71011292) Donaldson 6" (→1698)	60/162-143 (PE71011293) Donaldson 6" (→1698)	60/97-7 (T19044)	60/111-33 (PE931260)
2400 (MEX)		60/161-75 (PE79011284) Woodgate 8" (1699→)	60/162-75 (PE79011285) Woodgate 8" (1699→)		
2400 (MEX)		-	-		60/111-359 (AP29320)

Part numbers are quoted for reference purposes only.  
Our parts and accessories are not original.

**"THE RELIABLE SERVICE"**

Las referencias originales tienen un propósito identificativo. Nuestras piezas no son originales.

**FILTERS**  
**FILTROS**



See pages 256-259 for the photos and dimensions of the parts. / Ver páginas de 256 a 259 para fotos y dimensiones de los artículos siguientes.

Tractors Tractores	Engine Motor	Air / Aire		Oil Aceite	Fuel Combustible
		Out. / Ext.	Inn. / Int.		
		1	2	3	4
<b>2000 SERIES / SERIE 2000</b>					
4 cylinder engines / Motores 4 cilindros					
2700	1201T (Zetor)	60/161-31 (F013185, PE10011906)	60/162-31 (F013186, PE10011907)	60/97-45 (PE68016093, PMLF4154)	60/111-33 (PE931260)
2800	1001T (Zetor)				
2900	1301T (Zetor)				
<b>3000, 3010 SERIES / SERIES 3000, 3010</b>					
3 cylinder engines / Motores 3 cilindros					
3100	3029D	60/161-153 (RT6005011111, RE62220)	60/162-153 (RT6005011112)	60/97-7 (T19044)	60/111-85 (RE62418, RE53058, RE50455)
3110					60/111-85 (RE62418, RE53058, RE50455) (ESN⇨403442)
4 cylinder engines / Motores 4 cilindros					
3200, 3200X	4039D	60/161-153 (RT6005011111, RE62220)	60/162-153 (RT6005011112)	60/97-7 (T19044)	60/111-85 (RE62418, RE53058, RE50455)
3300, 3300X	4045D				
3400, 3400X	4039T				
3210, 3210X, 3310, 3310X	4039D 4045D PowerTech				
3410, 3410X	4039T 4045T PowerTech				
5000, 5003, 5004, 5005, 5010, 5015, 5020, 5025 SERIES / SERIES 5000, 5003, 5004, 5005, 5010, 5015, 5020, 5025					
3 cylinder engines / Motores 3 cilindros					
5200 5300 (USA)	3029D	60/161-7 (RE45825) (⇨xxxxxx)	60/162-103 (RE45826) (⇨xxxxxx)	60/97-7 (T19044)	60/111-85 (RE62418, RE53058, RE50455)
5300 (EU)		60/161-213 (RE68048) (xxxxxx⇨)	60/162-213 (RE68049) (xxxxxx⇨)		
5300N		60/161-7 (RE45825)	60/162-103 (RE45826)		
5400, 5400N	3029T	60/161-102 (RE45827)	60/162-102 (RE45828)		60/111-26 (RE62419)

Part numbers are quoted for reference purposes only.  
 Our parts and accessories are not original.

**"THE RELIABLE SERVICE"**

Las referencias originales tienen un propósito identificativo. Nuestras piezas no son originales.

**FILTERS**  
**FILTROS**



See pages 256-259 for the photos and dimensions of the parts. / Ver páginas de 256 a 259 para fotos y dimensiones de los artículos siguientes.

Tractors <i>Tractores</i>	Engine <i>Motor</i>	Air / <i>Aire</i>		Oil <i>Aceite</i>	Fuel <i>Combustible</i>
		Out. / <i>Ext.</i>	Inn. / <i>Int.</i>	3	4
5000, 5003, 5004, 5005, 5010, 5015, 5020, 5025 SERIES / SERIES 5000, 5003, 5004, 5005, 5010, 5015, 5020, 5025					
3 cylinder engines / Motores 3 cilindros					
5103 (IND), 5103S (Asia), 5203 (IND)	3029D & 3029D PowerTech	60/161-213 (RE68048)	60/162-213 (RE68049)	-	60/111-213 (RE508953) 60/111-214 (RE508954)
5203 (Asia)	3029D			60/97-7 (T19044, RE506575)	
5103 (AUS) 5203 (AUS)	3029T PowerTech	60/161-174 (AT171853)	60/162-174 (AT171854)	60/97-174 (RE519626, RE518977)	
5103 (USA)	3029D & T PowerTech	60/161-213 (RE68048) (⇔009122)	60/162-213 (RE68049) (⇔009122)	60/97-7 (T19044, RE506575) (⇔3029D140838)	60/111-61 (RE60021)
		60/161-174 (AT171853) (009123⇔)	60/162-174 (AT171854) (009123⇔)	60/97-174 (RE519626, RE518977) (3029T106597⇔)	
5203 (USA)		60/161-213 (RE68048) (⇔001465)	60/162-213 (RE68049) (⇔001465)	60/97-7 (T19044, RE506575) (⇔3029D140336)	
		60/161-174 (AT171853) (005206⇔)	60/162-174 (AT171854) (005206⇔)	60/97-174 (RE519626, RE518977) (3029T106478⇔)	
5303 (AUS), 5303 (EU)	3029T PowerTech			60/97-174 (RE519626, RE518977)	
5303 (USA)		60/161-174 (AT171853)	60/162-174 (AT171854)	60/97-7 (T19044, RE506575) (⇔103382) 60/97-174 (RE519626, RE518977) (103383⇔)	
5303 (MEX), 5303 (South America)	3029D PowerTech	60/161-213 (RE68048)	60/162-213 (RE68049)	60/97-7 (T19044, RE506575)	60/111-85 (RE62418)

Part numbers are quoted for reference purposes only. Our parts and accessories are not original.

**"THE RELIABLE SERVICE"**

Las referencias originales tienen un propósito identificativo. Nuestras piezas no son originales.



**FILTERS**  
**FILTROS**



See pages 256-259 for the photos and dimensions of the parts. / Ver páginas de 256 a 259 para fotos y dimensiones de los artículos siguientes.

Tractors <i>Tractores</i>	Engine <i>Motor</i>	Air / Aire		Oil <i>Acete</i>	Fuel <i>Combustible</i>
		Out. / Ext.	Inn. / Int.		
		1	2	3	4
5000, 5003, 5005, 5010, 5015, 5020, 5025 SERIES / SERIES 5000, 5003, 5005, 5010, 5015, 5020, 5025					
3 cylinder engines / Motores 3 cilindros					
5303 (North Africa), 5303 (TUR)	3029D PowerTech	60/161-213 (RE68048)	60/162-213 (RE68049)	60/97-7 (T19044, RE506575)	60/111-61 (RE60021)
5303 (South America)					60/111-85 (RE62418)
5303 (ZA)				60/111-61 (RE60021)	
5403 (AUS), 5403 (EU), 5403 (USA)	3029T PowerTech	60/161-174 (AT171853)	60/162-174 (AT171854)	60/97-174 (RE519626, RE518977)	60/111-85 (RE62418)
5403 (North Africa), 5403 (TUR)					60/111-61 (RE60021)
5403 (South America)				60/97-7 (T19044, RE506575)	60/111-85 (RE62418)
5403 (ZA)				60/97-7 (T19044, AR58956) (⇒002296)	60/111-85 (RE62418) (⇒002296)
5503				60/97-174 (RE519626, RE518977) (002297⇄)	60/111-61 (RE60021) (002297⇄)
5104, 5204 (IND)	3029D PowerTech	60/161-213 (RE68048)	60/162-213 (RE68049)	-	60/111-213 (RE508953)  60/111-214 (RE508954)

Part numbers are quoted for reference purposes only.  
 Our parts and accessories are not original.

**"THE RELIABLE SERVICE"**

Las referencias originales tienen un propósito identificativo. Nuestras piezas no son originales.

**FILTERS**  
**FILTROS**



See pages 256-259 for the photos and dimensions of the parts. / Ver páginas de 256 a 259 para fotos y dimensiones de los artículos siguientes.

Tractors <i>Tractores</i>	Engine <i>Motor</i>	Air / Aire		Oil <i>Aceite</i>	Fuel <i>Combustible</i>
		Out. / Ext.	Inn. / Int.		
		1	2	3	4
5000, 5003, 5005, 5010, 5015, 5020, 5025 SERIES / SERIES 5000, 5003, 5005, 5010, 5015, 5020, 5025					
3 cylinder engines / Motores 3 cilindros					
5204 (MEX)	3029D PowerTech	60/161-213 (RE68048)	60/162-213 (RE68049)	60/97-7 (T19044, RE506575)	60/111-61 (RE60021)
5105		60/161-213 (RE68048) (↔511999)	60/162-213 (RE68049) (↔511999)		
		60/161-143 (AP33330) (512000↔)	60/162-143 (RE504145, AP33331) (512000↔)		
5205		60/161-213 (RE68048) (↔521999)	60/162-213 (RE68049) (↔521999)		
5210	60/161-143 (AP33330) (522000↔)	60/162-143 (RE504145, AP33331) (522000↔)			
	60/161-213 (RE68048) (↔121087)	60/162-213 (RE68049) (↔121087)			
5210	60/161-174 (AT171853) (121088↔)	60/162-174 (AT171854) (121088↔)			
	60/161-213 (RE68048)	60/162-213 (RE68049)			
5310 (Asia), 5310 (IND)	3029D & 3029D PowerTech	60/161-213 (RE68048)	60/162-213 (RE68049)		60/111-213 (RE508953)  60/111-214 (RE508954)
5310 (EU), 5310N (EU)	3029D PowerTech	60/161-174 (AT171853)	60/162-174 (AT171854)	60/97-7 (T19044, RE506575)	60/111-61 (RE60021)
5310 (USA), 5310N (USA)	3029T PowerTech				
5310S 5410 (IND) 5610		60/161-360 (ER263060)	60/162-360 (ER263059)		
5410 (EU), 5410N				60/97-7 (T19044, RE506575)	
5215 5315	3029D PowerTech	60/161-174 (AT171853)	60/162-174 (AT171854)		60/97-7 (T19044, RE506575)
5220	3029T PowerTech				
5320, 5320N					

Part numbers are quoted for reference purposes only.  
 Our parts and accessories are not original.

**"THE RELIABLE SERVICE"**

Las referencias originales tienen un propósito identificativo. Nuestras piezas no son originales.

**FILTERS  
FILTROS**



See pages 256-259 for the photos and dimensions of the parts. / Ver páginas de 256 a 259 para fotos y dimensiones de los artículos siguientes.

Tractors <i>Tractores</i>	Engine <i>Motor</i>	Air / Aire		Oil <i>Aceite</i>	Fuel <i>Combustible</i>
		Out. / Ext.	Imm. / Int.		
		1	2	3	4
5000, 5003, 5005, 5010, 5015, 5020, 5025 SERIES / SERIES 5000, 5003, 5005, 5010, 5015, 5020, 5025					
4 cylinder engines / Motores 4 cilindros					
5500, 5500N	4039T	60/161-102 (RE45827)	60/162-102 (RE45828)	60/97-7 (T19044, RE506575)	60/111-85 (RE62418)
5403 (BR)	4045D PowerTech	60/161-174 (AT171853) (↔36689)	60/162-174 (AT171854) (↔36689)	60/97-85 (RE59754)	60/111-61 (RE60021)
5603 (BR)					
5603 (USA)	4045T PowerTech	60/161-361 (KV16429)	60/162-174 (AT171854)	60/97-88 (RE504836)	60/111-361 (RE522868)
5605	4045D PowerTech	60/161-174 (AT171853) (↔36689)	60/162-174 (AT171854) (↔36689)	60/97-85 (RE59754)	60/111-61 (RE60021)
5705	4045T PowerTech				
5410 (USA)	4045D PowerTech	60/161-174 (AT171853)	60/162-174 (AT171854)	60/97-85 (RE59754) (↔DP054)	60/111-61 (RE60021)
5510, 5510N	4045T PowerTech				
5415 (MEX), 5415N 5615 (MEX)	4045D PowerTech	60/161-360 (ER263060)	60/162-360 (ER263059)	60/97-88 (RE504836) (DP055↔)	60/111-61 (RE60021)
5415 (EU)					
5515 5615 (EU)	4045T PowerTech	60/161-174 (AT171853)	60/162-174 (AT171854)	60/97-85 (RE59754)	60/111-61 (RE60021)
5615 (TUR)	4045D PowerTech				
5715 (TUR)	4045T PowerTech	60/161-174 (AT171853)	60/162-174 (AT171854)	60/97-85 (RE59754) (TP050, 059)	60/111-61 (RE60021)
5715 (MEX)				60/97-88 (RE504836) (TP066, 068)	

Part numbers are quoted for reference purposes only.  
Our parts and accessories are not original.

**"THE RELIABLE SERVICE"**

Las referencias originales tienen un propósito identificativo. Nuestras piezas no son originales.

**FILTERS**  
**FILTROS**



See pages 256-259 for the photos and dimensions of the parts. / Ver páginas de 256 a 259 para fotos y dimensiones de los artículos siguientes.

Tractors <i>Tractores</i>	Engine <i>Motor</i>	Air / Aire		Oil <i>Acelte</i>	Fuel <i>Combustible</i>
		Out. / Ext.	Inn. / Int.		
		1	2	3	4
<b>5000, 5003, 5005, 5010, 5015, 5020, 5025 SERIES / SERIES 5000, 5003, 5005, 5010, 5015, 5020, 5025</b>					
<b>4 cylinder engines / Motores 4 cilindros</b>					
5420, 5420N	4045D PowerTech	60/161-174 (AT171853)	60/162-174 (AT171854)	60/97-85 (RE59754)	60/111-61 (RE60021)
5520, 5520N	4045T PowerTech				
5620	4045D PowerTech	60/161-154 (AZ55542)	60/162-154 (AZ55541)	60/97-88 (RE504836, RE507522)	60/111-26 (RE62419)
5720, 5820	4045T PowerTech				
5425 (MEX), 5425N (MEX) 5625 (MEX)	4045D PowerTech	60/161-361 (KV16429)	60/162-174 (AT171854)	60/97-85 (RE59754) (↔DP054)	60/111-61 (RE60021)
5425 (USA), 5425N (USA) 5525, 5525N 5625 (USA)	4045T PowerTech			60/97-88 (RE504836, RE507522)	
5725, 5725N				60/97-85 (RE59754) (TP059, 062)	60/111-61 (RE60021)
				60/97-88 (RE504836) (TP065, 066, 068)	60/111-361 (RE522868) (TP072,073)
<b>6000, 6003, 6005, 6010, 6015, 6020, 6030 SERIES / SERIES 6000, 6003, 6005, 6010, 6015, 6020, 6030</b>					
<b>4 cylinder engines / Motores 4 cilindros</b>					
6100, 6100SE	4045D	60/161-32 (AL78223)	60/162-32 (AL78224)	60/97-7 (T19044)	60/111-26 (RE62419)
6200, 6200L, 6200SE 6300, 6300L, 6300SE	4039T				
6400, 6400L, 6400SE, 6400SP (TP001) 6500, 6500L	4045T				
6400SP (TP054)	4045T PowerTech			60/97-85 (RE59754)	60/111-85 (RE62418)
6403		60/161-174 (AT171853)	60/162-174 (AT171854)	60/97-85 (RE59754) (↔001347)	60/111-26 (RE62419)
				60/97-88 (RE504836, RE507522) (001348↔)	

Part numbers are quoted for reference purposes only.  
Our parts and accessories are not original.

**"THE RELIABLE SERVICE"**

Las referencias originales tienen un propósito identificativo. Nuestras piezas no son originales.

**FILTERS  
 FILTROS**



See pages 256-259 for the photos and dimensions of the parts. / Ver páginas de 256 a 259 para fotos y dimensiones de los artículos siguientes.

Tractors <i>Tractores</i>	Engine <i>Motor</i>	Air / <i>Aire</i>		Oil <i>Aceite</i>	Fuel <i>Combustible</i>
		Out. / <i>Ext.</i>	Inn. / <i>Int.</i>		
		1	2	3	4
6000, 6003, 6005, 6010, 6015, 6020, 6030 SERIES / SERIES 6000, 6003, 6005, 6010, 6015, 6020, 6030					
4 cylinder engines / <i>Motores 4 cilindros</i>					
6205 6405 (USA)	4045T PowerTech	60/161-32 (AL78223)	60/162-32 (AL78224)	60/97-85 (RE59754)	60/111-26 (RE62419)  60/111-87 (RE509208, RE517181) Pre-filter <i>Prefiltro</i>
6405 (BR)		60/161-35 (AZ20623, DQ24941)	60/162-240 (DQ24942)		60/111-26 (RE62419)  60/111-85 (RE62418)  60/111-245 (DQ24057) Pre-filter <i>Prefiltro</i>
6010, 6010SE	4045D PowerTech	60/161-32 (AL78223)	60/162-32 (AL78224)		60/111-26 (RE62419)  60/111-87 (RE509208, RE517181) Pre-filter <i>Prefiltro</i>
6110, 6110L, 6110SE					
6210, 6210L, 6210SE					
6310, 6310L, 6310S, 6310SE					
6410, 6410L, 6410S, 6410SE					
6510L, 6510S					
6215 (EU)	4045T PowerTech	60/161-178 (AL172780, AL119839)	60/162-178 (AL150288)	60/111-26 (RE62419) (↔ 799999)	
6215 (USA)				60/97-88 (RE504836, RE507522)	60/111-86 (RE509031) (800000↔)
				60/97-85 (RE59754)	60/111-87 (RE509208, RE517181) Pre-filter <i>Prefiltro</i>
6415 (BR)	60/97-85 (RE59754)	60/111-85 (RE62418)  60/111-245 (DQ24057) Pre-filter <i>Prefiltro</i>			

Part numbers are quoted for reference purposes only.  
 Our parts and accessories are not original.

**"THE RELIABLE SERVICE"**

Las referencias originales tienen un propósito identificativo. Nuestras piezas no son originales.

**FILTERS**  
**FILTROS**



See pages 256-259 for the photos and dimensions of the parts. / Ver páginas de 256 a 259 para fotos y dimensiones de los artículos siguientes.

Tractors <i>Tractores</i>	Engine <i>Motor</i>	Air / <i>Aire</i>		Oil <i>Acelte</i>	Fuel <i>Combustible</i>
		Out. / <i>Ext.</i>	Inn. / <i>Int.</i>		
		1	2	3	4
<b>6000, 6003, 6005, 6010, 6015, 6020, 6030 SERIES / SERIES 6000, 6003, 6005, 6010, 6015, 6020, 6030</b>					
<b>4 cylinder engines / Motores 4 cilindros</b>					
6415 (MEX)	4045T PowerTech	60/161-178 (AL172780, AL119839)	60/162-178 (AL150288)	60/97-88 (RE504836, RE507522)	60/111-26 (RE62419)
6415 (USA)	4045H PowerTech				60/111-86 (RE509031)
6020, 6020SE	4045D & T PowerTech				60/111-87 (RE509208, RE517181) Pre-filter Prefiltro
6120, 6120L, 6120SE	4045T PowerTech				60/111-26 (RE62419) (↔799999)
6220, 6220L, 6220SE					60/111-86 (RE509031) (800000↔)
6320, 6320L, 6320SE	4045T & H PowerTech				60/111-87 (RE509208, RE517181) Pre-filter Prefiltro
6420, 6420L, 6420SE	4045H PowerTech				60/111-26 (RE62419)
6520L	4045T PowerTech				
6425 (MEX)	4045H PowerTech E				60/111-178 (RE526557)
6225, 6325, 6425	4045H PowerTech Plus				60/111-264 (RE529644) Pre-filter Prefiltro
6130, 6230, 6230PR (USA), 6330, 6330PR (USA), 6430, 6430PR (USA)					
6230PR, 6330PR, 6430PR					
<b>6 cylinder engines / Motores 6 cilindros</b>					
6506	6068D	60/161-34 (AL78869)	60/162-34 (AL78870)	60/97-7 (T19044)	60/111-26 (RE62419, RE53400, RE52987)
6600	6059T				
6800, 6900	6068T				

Part numbers are quoted for reference purposes only.  
 Our parts and accessories are not original.

**"THE RELIABLE SERVICE"**

Las referencias originales tienen un propósito identificativo. Nuestras piezas no son originales.

**FILTERS**  
**FILTROS**



See pages 256-259 for the photos and dimensions of the parts. / Ver páginas de 256 a 259 para fotos y dimensiones de los artículos siguientes.

Tractors <i>Tractores</i>	Engine <i>Motor</i>	Air / Aire		Oil <i>Aceite</i>	Fuel <i>Combustible</i>
		Out. / Ext.	Inn. / Int.		
		1	2	3	4
6000, 6003, 6005, 6010, 6015, 6020, 6030 SERIES / SERIES 6000, 6003, 6005, 6010, 6015, 6020, 6030					
6 cylinder engines / Motores 6 cilindros					
6603	6068T PowerTech	60/161-220 (RE171235)	60/162-164 (RE171236)	60/97-85 (RE59754) (↔001236)	60/111-26 (RE62419)
6605 (BR)		60/161-241 (DQ46907) (↔34297)	60/162-241 (DQ46908) (↔34297)	60/97-85 (RE59754)	60/111-26 (RE62419)
6505	6068D PowerTech	60/161-32 (AL78223)	60/162-32 (AL78224)		60/111-26 (RE62419)
6605 (USA)	6068T PowerTech	60/161-34 (AL78869)	60/162-34 (AL78870)	60/111-87 (RE509208, RE517181) Pre-filter Prefiltro	
6510, 6510SE	6068D PowerTech				
6610, 6610SE	6068T PowerTech	60/161-178 (AL172780, AL119839)	60/162-178 (AL150288)	60/111-86 (RE509031)	
6810, 6910, 6910S					
6615 (BR)	6068H PowerTech	60/161-179 (AL172781, AL150285) (↔391078)	60/97-88 (RE504836, RE507522)	60/111-26 (RE62419) (↔799999)	
6615 (USA)	6068D & H PowerTech			60/111-86 (RE509031)	
6515				60/111-87 (RE509208, RE517181) Pre-filter Prefiltro	

Part numbers are quoted for reference purposes only.  
 Our parts and accessories are not original.

**"THE RELIABLE SERVICE"**

Las referencias originales tienen un propósito identificativo. Nuestras piezas no son originales.

**FILTERS**  
**FILTROS**



See pages 256-259 for the photos and dimensions of the parts. / Ver páginas de 256 a 259 para fotos y dimensiones de los artículos siguientes.

Tractors <i>Tractores</i>	Engine <i>Motor</i>	Air / <i>Aire</i>		Oil <i>Acete</i>	Fuel <i>Combustible</i>
		Out. / <i>Ext.</i>	Inn. / <i>Int.</i>		
		1	2	3	4
6000, 6003, 6005, 6010, 6015, 6020, 6030 SERIES / <i>SERIES 6000, 6003, 6005, 6010, 6015, 6020, 6030</i>					
6 cylinder engines / <i>Motores 6 cilindros</i>					
6715 (USA)	6068T & H PowerTech				60/111-26 (RE62419) (↔799999)
6520, 6520SE 2 Valve design <i>Modelo con 2 válvulas</i>	6068D, T & H PowerTech				60/111-86 (RE509031) (800000↔)
6520 HPCR 4 Valve design <i>Modelo con 4 válvulas HPCR</i>	6068H PowerTech	60/161-178 (AL172780, AL119839) (391079->)			60/111-87 (RE509208, RE517181) Pre-filter <i>Prefiltro</i>
6620, 6620SE 2 Valve design <i>Modelo con 2 válvulas</i>	6068T & H PowerTech	60/161-179 (AL172781, AL150285) (->391078)	60/162-178 (AL150288)	60/97-88 (RE504836, RE507522)	60/111-240 (RE509032)
6620 HPCR 4 Valve design <i>Modelo con 4 válvulas HPCR</i>	6068H PowerTech				60/111-249 (RE509036, RE517180) Pre-filter <i>Prefiltro</i>
6820, 6920, 6920S 2 Valve design <i>Modelo con 2 válvulas</i>	6068T & H PowerTech	60/161-179 (AL172781, AL150285)			60/111-26 (RE62419)
					60/111-87 (RE509208, RE517181) Pre-filter <i>Prefiltro</i>

Part numbers are quoted for reference purposes only.  
 Our parts and accessories are not original.

**"THE RELIABLE SERVICE"**

Las referencias originales tienen un propósito identificativo. Nuestras piezas no son originales.



## FILTERS FILTROS



See pages 256-259 for the photos and dimensions of the parts. / Ver páginas de 256 a 259 para fotos y dimensiones de los artículos siguientes..

Tractors <i>Tractores</i>	Engine <i>Motor</i>	Air / <i>Aire</i>		Oil <i>Aceite</i>	Fuel <i>Combustible</i>	
		Out. / <i>Ext.</i>	Imm. / <i>Int.</i>			
		1	2	3	4	
<b>6000, 6003, 6005, 6010, 6015, 6020, 6030 SERIES / SERIES 6000, 6003, 6005, 6010, 6015, 6020, 6030</b>						
<b>6 cylinder engines / Motores 6 cilindros</b>						
6820, 6920, 6920S HPCR 4 Valve design <i>Modelo con 4 válvulas HPCR</i>	6068H PowerTech	60/161-179 (AL172781, AL150285)	60/162-178 (AL150288)	60/97-88 (RE504836, RE507522)	60/111-240 (RE509032)	
6525 6530	6068H PowerTech E	60/161-178 (AL172780, AL119839)			60/111-272 (RE522878)	
6530PR	6068H PowerTech Plus					
6630, 6830, 6930	6068H PowerTech E	60/161-179 (AL172781, AL150285)				60/111-273 (RE529643) Pre-filter <i>Prefiltro</i>
6630PR, 6830PR, 6930PR	6068H PowerTech Plus					
<b>7000, 7005, 7010, 7015, 7020, 7030 SERIES / SERIES 7000, 7005, 7010, 7015, 7020, 7030</b>						
<b>6 cylinder engines / Motores 6 cilindros</b>						
7200	6059T	60/161-32 (AL78823)	60/162-32 (AL78224)	60/97-7 (T19044)	60/111-26 (RE62419)	
7400	6068T	60/161-34 (AL78869)	60/162-34 (AL78870)			
7500 (001336⇄)				60/97-85 (RE59754)	60/111-277 (AR103220)	
7500 (001337⇄)	6068T PowerTech					
7600	6068T	60/161-30 (RE87124, RE34962)	60/162-30 (RE34963)	60/97-7 (T19044)	60/111-27 (AR86745, RE27091)	
7700	6076T	60/161-36 (RE65880, RE34966)	60/162-36 (RE34967)	60/97-17 (RE57394)		
7800						60/111-29 (AR86755) Water separator <i>Separador de agua</i>
					60/111-277 (AR103220)	

Part numbers are quoted for reference purposes only.  
 Our parts and accessories are not original.

**"THE RELIABLE SERVICE"**

Las referencias originales tienen un propósito indentifica-  
 tivo. Nuestras piezas no son originales.

**FILTERS**  
**FILTROS**



See pages 256-259 for the photos and dimensions of the parts. / Ver páginas de 256 a 259 para fotos y dimensiones de los artículos siguientes.

Tractors <i>Tractores</i>	Engine <i>Motor</i>	Air / <i>Aire</i>		Oil <i>Aceite</i>	Fuel <i>Combustible</i>
		Out. / <i>Ext.</i>	Inn. / <i>Int.</i>		
		1	2	3	4
7000, 7005, 7010, 7015, 7020, 7030 SERIES / <i>SERIES 7000, 7005, 7010, 7015, 7020, 7030</i>					
6 cylinder engines / <i>Motores 6 cilindros</i>					
7505	6068T PowerTech	60/161-241 (DQ46907) (⇒34297)	60/162-241 (DQ46908) (⇒34297)	60/97-85 (RE59754)	60/111-26 (RE62419)  60/111-245 (DQ24057) Pre-filter <i>Prefiltro</i>
7405		60/161-34 (AL78869)	60/162-34 (AL78870)		60/111-26 (RE62419)
7210, 7410, 7510		60/161-30 (RE67124, RE34962)	60/162-30 (RE34963)		60/111-277 (AR103220)
7610					
7710, 7810 (⇒089999)	6081T PowerTech			60/97-17 (RE57394)	60/111-27 (AR86745, RE27091)  60/111-276 (RE508633) Water separator <i>Separador de agua</i>  60/111-277 (AR103220)
7710, 7810 (090000 ⇒)	6081H PowerTech	60/161-36 (RE65880, RE34966)	60/162-36 (RE34967)	60/97-241 (RE509672)	Early version <i>Primeros modelos</i> 60/111-247 (R502778)  60/111-248 (RE522372)  Later version <i>Últimos modelos</i> 60/111-252 (RE522688)  60/111-250 (RE531703, RE522687)  60/111-276 (RE508633) Water separator <i>Separador de agua</i>

Part numbers are quoted for reference purposes only.  
 Our parts and accessories are not original.

**"THE RELIABLE SERVICE"**

Las referencias originales tienen un propósito identificativo. Nuestras piezas no son originales.

**FILTERS  
 FILTROS**



See pages 256-259 for the photos and dimensions of the parts. / Ver páginas de 256 a 259 para fotos y dimensiones de los artículos siguientes.

Tractors <i>Tractores</i>	Engine <i>Motor</i>	Air / <i>Aire</i>		Oil <i>Aceite</i>	Fuel <i>Combustible</i>
		Out. / <i>Ext.</i>	Inn. / <i>Int.</i>		
		1	2	3	4
7000, 7005, 7010, 7015, 7020, 7030 SERIES / <i>SERIES 7000, 7005, 7010, 7015, 7020, 7030</i>					
6 cylinder engines. / <i>Motores 6 cilindros</i>					
7810 (BR)	6068T PowerTech	60/161-30 (RE67124, RE34962)	60/162-30 (RE34963)	60/97-85 (RE59754)	60/111-26 (RE62419)  60/111-276 (RE508633) Pre-filter <i>Prefiltro</i>
7515		60/161-179 (AL172781, AL150285)	60/162-178 (AL150288)		60/111-26 (RE62419)  60/111-245 (DQ24057) Pre-filter <i>Prefiltro</i>
7815 (⇔070000)	6068H PowerTech	60/161-243 (RE196945)	60/162-243 (AL181915)	60/97-88 (RE504836, RE507522)	60/111-240 (RE509032)  60/111-249 (RE517180, RE509036) Pre-filter <i>Prefiltro</i>
7715, 7815 (070001⇔)					60/111-272 (RE522878)  60/111-273 (RE529643) Pre-filter <i>Prefiltro</i>
7220	6068T PowerTech	60/161-179 (AL172781, AL150285) (⇔011450)  60/161-178 (AL172780, AL119839) (011451⇔)	60/162-178 (AL150288)		60/111-85 (RE62418)  60/111-97 (AL153517) Pre-filter <i>Prefiltro</i>
7320					60/111-26 (RE62419)  60/111-97 (AL153517) Pre-filter <i>Prefiltro</i>

Part numbers are quoted for reference purposes only.  
 Our parts and accessories are not original.

**"THE RELIABLE SERVICE"**

Las referencias originales tienen un propósito identificativo. Nuestras piezas no son originales.

**FILTERS**  
**FILTROS**



See pages 256-259 for the photos and dimensions of the parts. / Ver páginas de 256 a 259 para fotos y dimensiones de los artículos siguientes.

Tractors <i>Tractores</i>	Engine <i>Motor</i>	Air / Aire		Oil <i>Acete</i>	Fuel <i>Combustible</i>
		Out. / Ext.	Inn. / Int.		
		1	2	3	4
7000, 7005, 7010, 7015, 7020, 7030 SERIES / SERIES 7000, 7005, 7010, 7015, 7020, 7030					
6 cylinder engines / Motores 6 cilindros					
7220, 7320	6068H PowerTech	60/161-179 (AL172781, AL150285) (↔011450)			60/111-240 (RE509032)  60/111-249 (RE517180, RE509036) Pre-filter Prefiltro
7420 (USA), 7520 (USA)	6068T PowerTech		60/162-178 (AL150288)		60/111-26 (RE62419)  60/111-97 (AL153517) Pre-filter Prefiltro
7420 (USA), 7520 (USA)	6068H PowerTech	60/161-179 (AL172781, AL150285)		60/97-88 (RE504836, RE507522)	60/111-240 (RE509032)  60/111-249 (RE517180, RE509036) Pre-filter Prefiltro
7420 (MEX), 7520 (MEX)	6068T PowerTech				60/111-26 (RE62419)
7720, 7820 (EU)	6068H PowerTech				60/111-240 (RE509032)  60/111-249 (RE517180, RE509036) Pre-filter Prefiltro
7820 (USA), 7920	6081H PowerTech	60/161-243 (RE196945)	60/162-243 (AL181915)	60/97-241 (RE509672)	60/111-247 (R502778)  60/111-248 (RE522372) (ESN↔232462)  60/111-252 (RE522688)  60/111-250 (RE531703, RE522687) (ESN 232463↔)

Part numbers are quoted for reference purposes only.  
 Our parts and accessories are not original.

**"THE RELIABLE SERVICE"**

Las referencias originales tienen un propósito identificativo. Nuestras piezas no son originales.

**FILTERS  
 FILTROS**



See pages 256-259 for the photos and dimensions of the parts. / Ver páginas de 256 a 259 para fotos y dimensiones de los artículos siguientes.

Tractors <i>Tractores</i>	Engine <i>Motor</i>	Air / <i>Aire</i>		Oil <i>Aceite</i>	Fuel <i>Combustible</i>	
		Out. / <i>Ext.</i>	Imm. / <i>Int.</i>			
		1	2			
<b>7000, 7005, 7010, 7015, 7020, 7030 SERIES / SERIES 7000, 7005, 7010, 7015, 7020, 7030</b>						
<b>6 cylinder engines / Motores 6 cilindros</b>						
7425, 7525	6068T PowerTech	60/161-179 (AL172781, AL150285)	60/162-178 (AL150288)	60/97-88 (RE504836, RE507522)	60/111-26 (RE62419)	
7130	6068H PowerTech E	60/161-178 (AL172780, AL119839)			60/111-240 (RE522878)	
7130PR	6068H PowerTech Plus					
7230, 7330, 7430PR (USA)	6068H PowerTech E	60/161-179 (AL172781, AL150285)				60/111-249 (RE529643) Pre-filter Prefiltro
7230PR, 7330PR, 7430PR, 7530PR	6068H PowerTech Plus					
7630, 7730, 7830, 7930						
<b>8000, 8010, 8020, 8030 SERIES / SERIES 8000, 8010, 8020, 8030</b>						
<b>6 cylinder engines / Motores 6 cilindros</b>						
8100, 8100T 8200, 8200T 8300, 8300T	6076H & 6081H PowerTech	60/161-151 (RE51629)	60/162-151 (RE51630)	60/97-17 (RE57394)	60/111-27 (AR86745, RE27091, RE57073)	
					60/111-276 (RE508633, RE62423, RE65341) Pre-filter Prefiltro	
8400, 8400T	6081H PowerTech				60/111-277 (AR103220)	
					60/111-27 (AR86745, RE27091, RE57073)	
					60/111-276 (RE508633, RE62423, RE65341) Pre-filter Prefiltro	

Part numbers are quoted for reference purposes only.  
 Our parts and accessories are not original.

**"THE RELIABLE SERVICE"**

Las referencias originales tienen un propósito identificativo. Nuestras piezas no son originales.

**FILTERS**  
**FILTROS**



See pages 256-259 for the photos and dimensions of the parts. / Ver páginas de 256 a 259 para fotos y dimensiones de los artículos siguientes.

Tractors <i>Tractores</i>	Engine <i>Motor</i>	Air / Aire		Oil <i>Aceite</i>	Fuel <i>Combustible</i>
		Out. / Ext.	Inn. / Int.		
		1	2	3	4
SÉRIES 8000, 8010, 8020, 8030 / 8000, 8010, 8020, 8030 SERIES					
6 cylinder engines / Motores 6 cilindros					
8110, 8110T 8210, 8210T 8310, 8310T	6081H PowerTech	60/161-151 (RE51629)	60/162-151 (RE51630)	60/97-17 (RE57394)	60/111-27 (AR86745, RE27091, RE57073)
8410, 8410T					60/111-276 (RE508633, RE62423, RE65341) Pre-filter Prefiltro
		60/111-277 (AR103220)			
8120, 8120T 8220, 8220T 8320, 8320T 8420, 8420T 8520, 8520T		60/111-27 (AR86745, RE27091, RE57073) Pre-filter Prefiltro			
	60/111-276 (RE508633, RE62423, RE65341)				
8130 8230, 8230T 8330, 8330T 8430, 8430T 8530	60/161-245 (RE164839)	60/162-245 (RE172447)	60/111-247 (R502778)	60/111-248 (RE522372) (ESN⇄232462)	60/111-252 (RE522688)
					60/111-250 (RE531703, RE522687) (ESN 232463⇄)
8130 8230, 8230T 8330, 8330T 8430, 8430T 8530	6090H PowerTech Plus	60/161-362 (RE210102)	60/162-362 (RE210103)	60/97-241 (RE509672)	60/111-362 (RE525523 consists of RE520906 + RE523236) Fuel kit Juego de combusti.

Part numbers are quoted for reference purposes only.  
 Our parts and accessories are not original.

**"THE RELIABLE SERVICE"**

Las referencias originales tienen un propósito identificativo. Nuestras piezas no son originales.

**FILTERS**  
**FILTROS**



See pages 256-259 for the photos and dimensions of the parts. / Ver páginas de 256 a 259 para fotos y dimensiones de los artículos siguientes.

Tractors <i>Tractores</i>	Engine <i>Motor</i>	Air / Aire		Oil <i>Aceite</i>	Fuel <i>Combustible</i>
		Out. / Ext.	Inn. / Int.		
		1	2	3	4
9000, 9020, 9030 SERIES / SERIES 9000, 9020, 9030					
6 cylinder engines / Motores 6 cilindros					
9100	6081H PowerTech			60/97-17 (RE57394)	60/111-27 (AR86745, RE27091, RE57073)  60/111-276 (RE508633, RE62423, RE65341) Pre Filter Prefiltro
9200	6105H & 6125H PowerTech				60/111-278 (RE502203) (↔003713)  60/111-241 (RE506428) (↔003713)  60/111-244 (RE507284, RE504496) (003714↔)  60/111-363 (RE515345)
9300, 9400	6125H PowerTech	60/161-363 (RE63931)	60/162-363 (RE63932)	60/97-240 (RE58935)	60/111-278 (RE502203) (↔010637)  60/111-241 (RE506428) (↔010637)  60/111-244 (RE507284, RE504496) (010638↔)  60/111-363 (RE515345)
9300T, 9400T					60/111-278 (RE502203) (↔011338)  60/111-241 (RE506428) (↔0011338)  60/111-244 (RE507284, RE504496) (011339↔)  60/111-363 (RE515345)

Part numbers are quoted for reference purposes only.  
 Our parts and accessories are not original.

**"THE RELIABLE SERVICE"**

Las referencias originales tienen un propósito identificativo. Nuestras piezas no son originales.

**FILTERS**  
**FILTROS**



See pages 256-259 for the photos and dimensions of the parts. / Ver páginas de 256 a 259 para fotos y dimensiones de los artículos siguientes.

Tractors <i>Tractores</i>	Engine <i>Motor</i>	Air / <i>Aire</i>		Oil <i>Aceite</i>	Fuel <i>Combustible</i>
		Out. / <i>Ext.</i>	Inn. / <i>Int.</i>		
		1	2	3	4
9000, 9020, 9030 SERIES / <i>SERIES 9000, 9020, 9030</i>					
6 cylinder engines / <i>Motores 6 cilindros</i>					
9120	6081H PowerTech	60/161-363 (RE63931)	60/162-363 (RE63932)	60/97-241 (RE509672)	60/111-247 (R502778)  60/111-248 (RE522372) (ESN → 232462)  60/111-252 (RE522688)  60/111-250 (RE531703, RE522687) (ESN 232463 →)
9220 9320, 9320T 9420, 9420T 9520, 9520T 9620, 9620T	6125H PowerTech			60/97-240 (RE58935)	60/111-244 (RE507284, RE504496) 6125HRW13 & 15 Single filter <i>Filtro simple</i>  60/111-363 (RE515345)  60/111-241 (RE506428) 6125HRW16, 17 & 18 Dual filters <i>Filtro doble</i>
9230	6090H PowerTech Plus	60/161-364 (RE261960)	60/162-364 (RE230985)	60/97-241 (RE509672)	60/111-362 (RE525523) consists of RE520906 + RE523236) Fuel kit <i>Juego de com- bustible</i>
9330 9430, 9430T 9530, 9530T 9630, 9630T	6135H PowerTech Plus			60/97-364 (RE530107)	60/111-364 (RE532952)  60/111-368 (RE533910)

Part numbers are quoted for reference purposes only.  
 Our parts and accessories are not original.

**"THE RELIABLE SERVICE"**

Las referencias originales tienen un propósito identifica-  
 tivo. Nuestras piezas no son originales.



**FILTERS**  
**FILTROS**

Ref. Ref.	Ø x H	Thread Rosca	Ref. Ref.	Ø x H	Thread Rosca	Ref. Ref.	Ø x H	Thread Rosca
60/97-7	97 x 140	13/16" - 16	60/111-277	43,5 x 92	M16x1D	60/161-358	230 x 435	-
60/97-17	128 x 175	1 1/2" -12	60/111-278	111 x 289	1"-14	60/161-360	160 x 350	-
60/97-20	127 x 174	1 1/2" -16	60/111-359	86 x 112	-	60/161-361	164 x 354	-
60/97-45	93 x 183	1"-12	60/111-361	85 x 150	-	60/161-362	310 x 320	-
60/97-85	94 x 146	1 1/2" -16	60/111-362	110 x 190	24x1,5D	60/161-363	332 x 470	-
60/97-88	93 x 150	-	60/111-363	120 x 210	-	60/161-364	445 x 335	-
60/97-174	93 x 136	M24x1,5	60/111-364	107 x 215	22x 1,5D	60/162-8	70 x 280	-
60/97-240	118 x 295	M52x1,5	60/111-368	110 x 230	1"-14	60/162-9	85 x 230	-
60/97-241	122 x 147	-	60/156-3	94 x 105	11/16"-16	60/162-10	83 x 338	-
60/97-243	118 x 260	1 3/8" -16	60/161-7	130 x 285	-	60/162-11	95 x 335	-
60/97-246	118 x 260	1 1/2" -16	60/161-8	130 x 310	-	60/162-30	135 x 300	-
60/97-256	120 x 135	-	60/161-9	172 x 260	-	60/162-31	100 x 375	-
60/97-258	118 x 298	2 1/4" -12	60/161-10	155 x 370	-	60/162-32	132 x 199	-
60/97-364	118 x 345	M52x1,5	60/161-11	185 x 380	-	60/162-34	238 x 130	-
60/100-67	-	-	60/161-30	237 x 312	-	60/162-35	92 x 235	-
60/111-3	86 x 72	-	60/161-31	200 x 365	-	60/162-36	135 x 374	-
60/111-12	126 x 94 x 80	-	60/161-32	235 x 310	-	60/162-37	118 x 360	-
60/111-26	83 x 128	-	60/161-34	226 x 313	-	60/162-75	82 x 255	-
60/111-27	128 x 94 x 83	-	60/161-35	164 x 340	-	60/162-102	79 x 310	-
60/111-28	63 x 58	-	60/161-36	235 x 385	-	60/162-103	63 x 255	-
60/111-29	126 x 94 x 85	-	60/161-37	230 x 435	-	60/162-143	72 x 310	-
60/111-33	83 x 135	-	60/161-62	155 x 265	-	60/162-150	130 x 410	-
60/111-61	80 x 110	-	60/161-75	155 x 295	-	60/162-151	145 x 377	-
60/111-85	83 x 102	-	60/161-102	155 x 340	-	60/162-152	151 x 468	-
60/111-86	80 x 140	-	60/161-143	142 x 330	-	60/162-153	85 x 335	-
60/111-87	83 x 153	-	60/161-150	231 x 492	-	60/162-154	88 x 360	-
60/111-97	50 x 121	-	60/161-151	282 x 385	-	60/162-164	108 x 383	-
60/111-152	83 x 62	-	60/161-152	508 x 264 x 153	-	60/162-174	83 x 345	-
60/111-178	85 x 150	-	60/161-153	165 x 350	-	60/162-178	107 x 298	-
60/111-213	56,5 x 105	-	60/161-154	159 x 375	-	60/162-213	80 x 300	-
60/111-214	66 x 100	-	60/161-174	162 x 350	-	60/162-240	78 x 345	-
60/111-240	80 x 190	-	60/161-178	183 x 326	-	60/162-241	115 x 320	-
60/111-241	97 x 172	13/16" - 12	60/161-179	283 x 327	-	60/162-242	170 x 160	-
60/111-244	118 x 213	-	60/161-213	127x 313	-	60/162-243	240 x 40	-
60/111-245	94 x 116	1"-14	60/161-220	186 x 387	-	60/162-245	173 x 280	-
60/111-247	51 x 90	-	60/161-241	200 x 350	-	60/162-246	194 x 457	-
60/111-248	105 x 265	-	60/161-242	352 x 175	-	60/162-355	118 x 419	-
60/111-249	80 x 195	-	60/161-243	260 x 235	-	60/162-356	85 x 290	-
60/111-250	113 x 295	1"-14	60/161-245	331 x 296	-	60/162-358	145 x 390	-
60/111-252	108 x 145	7/8"-14	60/161-246	302 x 490	-	60/162-360	81 x 335	-
60/111-254	97 x 245	1" -14	60/161-350	133 x 240	-	60/162-362	180 x 300	-
60/111-255	94 x 135	11/16"-16	60/161-351	155 x 315	-	60/162-363	130 x 460	-
60/111-264	80 x 145	-	60/161-352	130 x 335	-	60/162-364	40 x 430	-
60/111-272	80 x 185	-	60/161-353	172 x 310	-	60/162-365	85 x 230	-
60/111-273	80 x 185	-	60/161-354	172 x 365	-	60/162-366	60,5 x 265	-
60/111-274	86 x 105	-	60/161-355	230 x 500	-			
60/111-275	94 x 144	1"-14	60/161-356	155 x 315	-			
60/111-276	31,2 x 190	-	60/161-357	132 x 312	-			

Part numbers are quoted for reference purposes only.  
Our parts and accessories are not original.

**"THE RELIABLE SERVICE"**

Las referencias originales tienen un propósito identificativo. Nuestras piezas no son originales.

**FILTERS**  
**FILTROS**

60/97-7 	60/97-17 60/97-20 	60/97-45 	60/97-85 	60/97-88 	60/97-174 
60/97-240 	60/97-241 	60/97-243 	60/97-246 	60/97-256 	60/97-258 
60/97-364 	60/100-67 	60/111-3 	60/111-12 	60/111-26 	60/111-27 
60/111-28 	60/111-29 	60/111-33 	60/111-61 	60/111-85 	60/111-86 
60/111-87 	60/111-97 	60/111-152 	60/111-178 	60/111-213 	60/111-214 
60/111-240 	60/111-241 	60/111-244 	60/111-245 	60/111-247 	60/111-248 
60/111-249 	60/111-250 	60/111-252 	60/111-254 	60/111-255 	60/111-264 
60/111-272 60/111-273 	60/111-274 	60/111-275 	60/111-276 	60/111-277 	60/111-278 
60/111-359 	60/111-361 	60/111-362 	60/111-363 	60/111-364 60/111-368 	60/156-3 

Part numbers are quoted for reference purposes only.  
 Our parts and accessories are not original.

**"THE RELIABLE SERVICE"**

Las referencias originales tienen un propósito identificativo. Nuestros piezas no son originales.

**FILTERS**  
**FILTROS**

















60/161-7 60/161-8	60/161-9	60/161-10	60/161-11	60/161-30	60/161-31
60/161-32 60/161-34	60/161-35	60/161-36	60/161-37	60/161-62	60/161-75
60/161-102	60/161-143	60/161-150	60/161-151 60/161-153	60/161-152	60/161-154
60/161-174	60/161-178 60/161-179	60/161-213	60/161-220	60/161-241	60/161-242
60/161-243	60/161-245	60/161-246	60/161-350 60/161-352	60/161-351	60/161-353 60/161-354
60/161-355	60/161-356	60/161-357 60/161-358	60/161-360	60/161-361	60/161-362
60/161-383	60/161-364	60/162-8	60/162-9	60/162-10	60/162-11
60/162-30	60/162-31 60/162-35	60/162-32	60/162-34	60/162-36	60/162-37
60/162-75	60/162-102	60/162-103	60/162-143	60/162-150	60/162-151

Part numbers are quoted for reference purposes only.  
 Our parts and accessories are not original.

**"THE RELIABLE SERVICE"**

Las referencias originales tienen un propósito identificativo. Nuestras piezas no son originales.

**FILTERS**  
**FILTROS**

60/162-152 	60/162-153 	60/162-154 	60/162-164 	60/162-174 	60/162-178 
60/162-213 	60/162-240 	60/162-241 	60/162-242 	60/162-243 	60/162-245 
60/162-246 	60/162-355 	60/162-356 	60/162-358 	60/162-360 	60/162-362 
60/162-363 	60/162-364 	60/162-385 	60/162-386 		

Part numbers are quoted for reference purposes only.  
 Our parts and accessories are not original.

**"THE RELIABLE SERVICE"**

Las referencias originales tienen un propósito identificativo. Nuestras piezas no son originales.

## HYDRAULIC FILTERS FILTROS HIDRÁULICOS



See pages 281-282 for the photos and dimensions of the parts shown below. / Ver páginas de 281 y 282 para fotos y dimensiones de los artículos siguientes.

Tractors <i>Tractores</i>	Transmission <i>Transmisión</i>	Steering <i>Dirección</i>	Hydraulics <i>Hidráulico</i>	
<b>**10 SERIES / SERIE **10</b>				
<i>4 cylinder engines / Motores 4 cilindros</i>				
2510	60/240-2 (AR75603)	-	-	
3010		-	-	
<i>4 cylinder engines / Motores 4 cilindros</i>				
4010	60/240-2 (AR75603)	-	-	
5010		-	-	
<b>**20 SERIES / SERIE **20</b>				
<i>3 cylinder engines / Motores 3 cilindros</i>				
820, 920 1020 (USA)	60/240-2 (AR75603)	-	-	
1020 (EU)	60/240-2 (AR75603) Less / Sin Hi-Lo	60/240-1 (AL25554) With / Con Hi-Lo	-	
1120		-	-	
1520	60/240-2 (AR75603)	-	-	
<i>4 cylinder engines / Motores 4 cilindros</i>				
2020	60/240-2 (AR75603)	-	-	
2120		-	-	
2520		60/240-260 (AR98098) Increased oil filtration <i>Filtración alto rendimiento</i>	-	-
3020		-	-	
<i>6 cylinder engines / Motores 6 cilindros</i>				
3120	60/240-2 (AR75603)	-	-	
4000 4020		60/240-260 (AR98098) Incras. oil filtr. <i>Filtración alto rendimiento</i>	-	-

Part numbers are quoted for reference purposes only.  
 Our parts and accessories are not original.

**"THE RELIABLE SERVICE"**

Las referencias originales tienen un propósito identifica-  
 tivo. Nuestras piezas no son originales.

**HYDRAULIC FILTERS**  
**FILTROS HIDRÁULICOS**



See pages 281-282 for the photos and dimensions of the parts shown below. / Ver páginas 281 y 282 para fotos y dimensiones de los artículos siguientes.

Tractors <i>Tractores</i>	Transmission <i>Transmisión</i>	Steering <i>Dirección</i>	Hydraulics <i>Hidráulico</i>
<b>**20 SERIES / SERIE **20</b>			
<b>6 cylinder engines / Motores 6 cilindros</b>			
4320 4520	60/240-2 (AR75603)	-	-
4620		-	-
5020		-	-
7020		-	-
7520		-	-
<b>**30 SERIES / SERIE **30</b>			
<b>3 cylinder engines / Motores 3 cilindros</b>			
830	60/240-2 (AR75603)	-	-
930 1030 (VU)		-	-
1030 (DE), 1030 (ES), 1030OU 1130	60/240-2 (AR75603) Less / Sin Hi-Lo	60/240-1 (AL25554) With / Con Hi-Lo	-
1530			-
1630 (DE), 1630 (ES), 1630OU	60/240-2 (AR75603)	-	-
1630VU		-	-
<b>4 cylinder engines / Motores 4 cilindros</b>			
1830 2030 (DE), 2030 (ES), 2030OU	60/240-2 (AR75603) Less / Sin Hi-Lo	60/240-1 (AL25554) With / Con Hi-Lo	-
2030 (USA)			-
2130	60/240-2 (AR75603) Less / Sin Hi-Lo	60/240-1 (AL25554) With / Con Hi-Lo	-
2630			-

Part numbers are quoted for reference purposes only.  
 Our parts and accessories are not original.

**"THE RELIABLE SERVICE"**

Las referencias originales tienen un propósito identificativo. Nuestras piezas no son originales.

## HYDRAULIC FILTERS FILTROS HIDRÁULICOS



See pages 281-282 for the photos and dimensions of the parts shown below. / Ver páginas 281 y 282 para fotos y dimensiones de los artículos siguientes.

Tractors <i>Tractores</i>	Transmission <i>Transmisión</i>	Steering <i>Dirección</i>	Hydraulics <i>Hidráulico</i>
<b>**30 SERIES / SERIE **30</b>			
<b>6 cylinder engines / Motores 6 cilindros</b>			
3030 3130	<b>60/240-2</b> (AR75603) Less / Sin Hi-Lo	<b>60/240-1</b> (AL25554) With / Con Hi-Lo	-
4030	<b>60/240-2</b> (AR75603)	<b>60/240-260</b> (AR98098) Increased oil filtration	-
4230 (2WD)		<i>Filtración alto rendimiento</i>	-
4230 (4WD) QuadRange & Synchro	<b>60/240-2</b> (AR75603) (⇔028079)	<b>60/240-260</b> (AR98098) (028080⇔)	-
4230 (4WD) PowerShift	<b>60/240-2</b> (AR75603) (⇔026769)	<b>60/240-260</b> (AR98098) (026770⇔)	-
4430 (2WD)	<b>60/240-2</b> (AR75603)	<b>60/240-260</b> (AR98098) Increased oil filtration	-
		<i>Filtración alto rendimiento</i>	-
4430 (4WD) QuadRange & Synchro	<b>60/240-2</b> (AR75603) (⇔045434)	<b>60/240-260</b> (AR98098) (045435⇔)	-
4430 (4WD) PowerShift	<b>60/240-2</b> (AR75603) (⇔048974)	<b>60/240-260</b> (AR98098) (048975⇔)	-
4630 (2WD)	<b>60/240-2</b> (AR75603)	<b>60/240-260</b> (AR98098) Increased oil filtration	-
		<i>Filtración alto rendimiento</i>	-
4630 (4WD) QuadRange & Synchro	<b>60/240-2</b> (AR75603) (⇔017284)	<b>60/240-260</b> (AR98098) (017285⇔)	-
4630 (4WD) PowerShift	<b>60/240-2</b> (AR75603) (⇔015516)	<b>60/240-260</b> (AR98098) (015517⇔)	-

Part numbers are quoted for reference purposes only.  
 Our parts and accessories are not original.

**"THE RELIABLE SERVICE"**

Las referencias originales tienen un propósito identifica-  
 tivo. Nuestras piezas no son originales.

**HYDRAULIC FILTERS**  
**FILTROS HIDRÁULICOS**



See pages 281-282 for the photos and dimensions of the parts shown below. / Ver páginas 281 y 282 para fotos y dimensiones de los artículos siguientes.

Tractors <i>Tractores</i>	Transmission <i>Transmisión</i>	Steering <i>Dirección</i>	Hydraulics <i>Hidráulico</i>			
<b>**30 SERIES / SERIE **30</b>						
<i>6 cylinder engines / Motores 6 cilindros</i>						
6030	60/240-2 (AR75603)	-	-	-	-	-
8430 Clutch & Transmission <i>Embrague Y Transmisión</i>	60/240-2 (AR75603)  or / o  60/240-260 (AR98098) 10 Micron (↔005625)	60/240-3 (AR94510) (005626↔)	-	-	-	-
8630 Clutch & Transmission <i>Embrague Y Transmisión</i>	60/240-2 (AR75603)  or / o  60/240-260 (AR98098) 10 Micron (↔007636)	60/240-3 (AR94510) (007637↔)	-	-	-	-
<b>**35 SERIES / SERIE **35</b>						
<i>3 cylinder engines / Motores 3 cilindros</i>						
1035, 1035EF	60/240-2 (AR75603) Less / Sin Hi-Lo	60/240-1 (AL25554) With / Con Hi-Lo	-	-	-	-
1635, 1635EF			-	-	-	-
1035EV	60/240-2 (AR75603)	-	-	-	-	-
1635EV		-	-	-	-	-
<i>4 cylinder engines / Motores 4 cilindros</i>						
2035, 2035EF	60/240-2 (AR75603) Less / Sin Hi-Lo	60/240-1 (AL25554) With / Con Hi-Lo	-	-	-	-
2135			-	-	-	-
<i>6 cylinder engines / Motores 6 cilindros</i>						
3135	60/240-2 (AR75603) Less / Sin Hi-Lo	60/240-1 (AL25554) With / Con Hi-Lo	-	-	-	-

Part numbers are quoted for reference purposes only.  
 Our parts and accessories are not original.

**"THE RELIABLE SERVICE"**

Las referencias originales tienen un propósito identificativo. Nuestras piezas no son originales.



## HYDRAULIC FILTERS FILTROS HIDRÁULICOS



See pages 281-282 for the photos and dimensions of the parts shown below. / Ver páginas 281 y 282 para fotos y dimensiones de los artículos siguientes.

Tractors <i>Tractores</i>	Transmission <i>Transmisión</i>	Steering <i>Dirección</i>	Hydraulics <i>Hidráulico</i>			
<b>**40 SERIES / SERIE **40</b>						
<b>3 cylinder engines / Motores 3 cilindros</b>						
840, 940 1040, 1140	60/240-2 (AR75603)	-	-			
2040 (USA)		-	-			
2240		-	-			
<b>4 cylinder engines / Motores 4 cilindros</b>						
1640 (DE), 2040 (DE), 2040S (DE)	60/240-2 (AR75603)	60/240-260 (AR98098) With 50cm <sup>3</sup> hydr. pump Con bomba hidráulica 50cm <sup>3</sup>	60/240-261 (AL31413)	60/641-247 (AL156625, AL77061) (150mm)	60/655-14 (AL56469) (180mm)	60/641-260 RE34958 (240mm)
1640 (ES), 1640F 2040F		60/240-1 (AL25554)	-	-	-	-
1840 2040 (ES)		-	60/240-261 (AL31413)	-	-	-
1840F		-	-	-	-	-
2040S (ES)		-	-	-	-	-
2140 (DE)		60/240-260 (AR98098) With 50cm <sup>3</sup> hydr. pump Con bomba hidráulica 50cm <sup>3</sup>	60/240-261 (AL31413)	60/641-247 (AL156625, AL77061) (150mm)	60/655-14 (AL56469) (180mm)	60/641-260 RE34958 (240mm)
2140 (ES)		60/240-1 (AL25554)	-	-	-	-
2440		-	-	-	-	-
2640		-	-	-	-	-
<b>4 cylinder engines / Motores 4 cilindros</b>						
2840	-	60/240-1 (AL25554)	-	-	-	-
2940	-	-	60/240-261 (AL31413)	-	-	-

Part numbers are quoted for reference purposes only.  
Our parts and accessories are not original.

**"THE RELIABLE SERVICE"**

Las referencias originales tienen un propósito identificativo. Nuestras piezas no son originales.

**HYDRAULIC FILTERS**  
**FILTROS HIDRÁULICOS**



See pages 281-282 for the photos and dimensions of the parts shown below. / Ver páginas 281 y 282 para fotos y dimensiones de los artículos siguientes.

Tractors <i>Tractores</i>	Transmission <i>Transmisión</i>	Steering <i>Dirección</i>	Hydraulics <i>Hidráulico</i>
<b>**40 SERIES / SERIE **40</b>			
<b>6 cylinder engines / Motores 6 cilindros</b>			
3040	60/240-2 (AR75603)	-	60/641-247 (AL156625, AL77061) (150mm)
3140 (DE)		60/240-260 (AR98098) (↔ 429999) With HFWD <i>Doble Tracción hidrostática</i>	60/641-260 RE34958 (240mm)
3140 (ES)		60/240-1 (AL25554)	-
3340		-	-
3640		-	60/641-247 (AL156625, AL77061) (150mm)
3640S		-	60/655-14 (AL56469) (180mm)
4040	60/240-3 (AR94510)	60/240-260 (AR98098) Clean up & With HFWD <i>Limpieza Y Doble Tracción hidrostática</i>	-
4240		-	-
4040S		-	-
4240S		-	-
4440		60/240-260 (AR98098) Clean up & With HFWD <i>Limpieza Y Doble Tracción hidrostática</i>	-
4640 4840		-	-
8440 Clutch & Transmission <i>Embrague Y Transmisión</i>		60/240-260 (AR98098) Clean up <i>Limpieza</i>	-
8640 Clutch & Transmission <i>Embrague Y Transmisión</i>		-	-

Part numbers are quoted for reference purposes only.  
 Our parts and accessories are not original.

Las referencias originales tienen un propósito identificativo. Nuestras piezas no son originales.

## HYDRAULIC FILTERS FILTROS HIDRÁULICOS



See pages 281-282 for the photos and dimensions of the parts shown below. / Ver páginas 281 y 282 para fotos y dimensiones de los artículos siguientes.

Tractors <i>Tractores</i>	Transmission <i>Transmisión</i>	Steering <i>Dirección</i>	Hydraulics <i>Hidráulico</i>				
<b>**45 SERIES / SERIE **45</b>							
3 cylinder engines / Motores 3 cilindros							
1445F, 1745F, 1845F	-	-	-	60/240-262 (FG0016806)	-	-	
2345F	-	-	-	-	-	-	
<b>**50 SERIES / SERIE **50</b>							
3 cylinder engines / Motores 3 cilindros							
1350	60/240-2 (AR75603)	-	-	60/641-247 (AL156625, AL77061) (150mm)	60/655-14 (AL56469) (180mm)	60/641-260 RE34958 (240mm)	
1550, 1750, 1850 (DE)		-	60/240-261 (AL31413)	-	-	-	
1750V 1850 (ES), 1850F, 1850V		-	-	-	-	-	-
1850N		-	-	-	-	-	
1950 (DE)		-	60/240-261 (AL31413)	60/641-247 (AL156625, AL77061) (150mm)	60/655-14 (AL56469) (180mm)	60/641-260 RE34958 (240mm)	
1950 (ES), 1950F		-	-	-	-	-	
1950N		-	60/240-261 (AL31413)	-	-	-	
2150		-	-	-	-	-	
4 cylinder engines / Motores 4 cilindros							
2250 (DE) 2450 (DE)	60/240-2 (AR75603)	-	-	60/641-247 (AL156625, AL77061) (150mm)	60/655-14 (AL56469) (180mm)	60/641-260 RE34958 (240mm)	
2250 (ES), 2250F 2450 (ES), 2450F		-	60/240-261 (AL31413)	-	-	-	
2350 2550		-	-	-	-	-	

Part numbers are quoted for reference purposes only.  
 Our parts and accessories are not original.

**"THE RELIABLE SERVICE"**

Las referencias originales tienen un propósito identificativo. Nuestras piezas no son originales.

**HYDRAULIC FILTERS**  
**FILTROS HIDRÁULICOS**



See pages 281-282 for the photos and dimensions of the parts shown below. / Ver páginas 281 y 282 para fotos y dimensiones de los artículos siguientes.

Tractors <i>Tractores</i>	Transmission <i>Transmisión</i>	Steering <i>Dirección</i>	Hydraulics <i>Hidráulica</i>			
<b>**50 SERIES / SERIE **50</b>						
<b>4 cylinder engines / Motores 4 cilindros</b>						
2650CS (DE)	60/240-2 (AR75603)	-	60/240-261 (AL31413)	60/641-247 (AL156625, AL77061) (150mm)	60/655-14 (AL56469) (180mm)	60/641-260 RE34958 (240mm)
2650TSS (DE) 2850 (DE)		-		-	-	-
2650 (ES), 2650F 2850 (ES)		-		-	-	-
2650N 2750		-		-	-	-
<b>6 cylinder engines / Motores 6 cilindros</b>						
2950	60/240-2 (AR75603)	-	60/240-261 (AL31413)	-	-	-
3050 3350 (DE)		-		60/641-247 (AL156625, AL77061) (150mm)	60/655-14 (AL56469) (180mm)	60/641-260 RE34958 (240mm)
3150 (USA)		-		-	-	-
3150 (ES) 3350 (ES)		-		-	-	-
3650	-	60/240-261 (AL31413)	60/641-247 (AL156625, AL77061) (150mm)	60/655-14 (AL56469) (180mm)	60/641-260 RE34958 (240mm)	
4050	60/240-3 (AR94510)	60/240-260 (AR98098) Clean up <i>Limpieza</i>	-	60/240-3 (AR94510)	60/240-260 (AR98098) Clean up <i>Limpieza</i>	-
4050E, 4250, 4450		-	-	-	-	
4350		-	-	-	-	
4650		60/240-260 (AR98098) Clean up <i>Limpieza</i>	-	60/240-3 (AR94510)	60/240-260 (AR98098) Clean up <i>Limpieza</i>	-
4850	-	-	-	-	-	
8450	-	-	-	-	-	
8650	60/240-240 (AR99661)	-	-	60/240-240 (AR99661)	-	-
8850		-	-	-	-	-

Part numbers are quoted for reference purposes only.  
 Our parts and accessories are not original.

**"THE RELIABLE SERVICE"**

Las referencias originales tienen un propósito identificativo. Nuestras piezas no son originales.

## HYDRAULIC FILTERS FILTROS HIDRÁULICOS



See pages 281-282 for the photos and dimensions of the parts shown below. / Ver páginas 281 y 282 para fotos y dimensiones de los artículos siguientes.

Tractors <i>Tractores</i>	Transmission <i>Transmisión</i>	Steering <i>Dirección</i>	Hydraulics <i>Hidráulico</i>			
<b>**55 SERIES / SERIE **55</b>						
<b>3 cylinder engines / Motores 3 cilindros</b>						
2155	60/240-2 (AR75603)	-	-	60/641-247 (AL156625, AL77061) (150mm)	60/655-14 (AL56469) (180mm)	60/641-260 RE34958 (240mm)
2255		-	-	-	-	-
2355N		-	-	60/641-247 (AL156625, AL77061) (150mm)	60/655-14 (AL56469) (180mm)	60/641-260 RE34958 (240mm)
<b>4 cylinder engines / Motores 4 cilindros</b>						
2355, 2555CS	60/240-2 (AR75603)	-	60/240-261 (AL31413)	60/641-247 (AL156625, AL77061) (150mm)	60/655-14 (AL56469) (180mm)	60/641-260 RE34958 (240mm)
2555TSS		-				
2755, 2855N		-				
<b>6 cylinder engines / Motores 6 cilindros</b>						
2955	60/240-2 (AR75603)	-	60/240-261 (AL31413)	60/641-247 (AL156625, AL77061) (150mm)	60/655-14 (AL56469) (180mm)	60/641-260 RE34958 (240mm)
3055, 3155		-				
3255		-				
4055 4255, 4455 (USA)	60/240-3 (AR94510)	60/240-260 (AR98098) Clean up <i>Limpieza</i>	-	60/240-3 (AR94510)	60/240-260 (AR98098) Clean up <i>Limpieza</i>	-
4455 (MEX)	60/240-2 (AR75603)	-	-	-	-	-
4555	60/240-3 (AR94510)	60/240-260 (AR98098) Clean up <i>Limpieza</i>	-	60/240-3 (AR94510)	60/240-260 (AR98098) Clean up <i>Limpieza</i>	-
4755			-			
4955			-			

Part numbers are quoted for reference purposes only.  
Our parts and accessories are not original.

**"THE RELIABLE SERVICE"**

Las referencias originales tienen un propósito identifica-  
tivo. Nuestras piezas no son originales.

**HYDRAULIC FILTERS**  
**FILTROS HIDRÁULICOS**



See pages 281-282 for the photos and dimensions of the parts shown below. / Ver páginas 281 y 282 para fotos y dimensiones de los artículos siguientes.

Tractors <i>Tractores</i>	Transmission <i>Transmisión</i>	Steering <i>Dirección</i>	Hydraulics <i>Hidráulico</i>				
<b>**60, 70 SERIES / SERIE **60, 70</b>							
<b>6 cylinder engines / Motores 6 cilindros</b>							
4560	60/240-3 (AR94510)	60/240-260 (AR98098) Clean up <i>Limpieza</i>	60/240-3 (AR94510)	60/240-260 (AR98098) Clean up <i>Limpieza</i>			
4760							
4960							
8560, 8570	60/641-244 (RE38965)	60/641-246 (AT112393) Clean up <i>Limpieza</i>	60/641-244 (RE38965)	60/641-246 (AT112393) Clean up <i>Limpieza</i>			
8760, 8770 8870							
8960, 8970							
<b>2000 SERIES / SERIE 2000</b>							
<b>3 cylinder engines / Motores 3 cilindros</b>							
2000	-	-	60/574-24 (PE931140)	60/625-13 (PE70114566)	-	-	
<b>4 cylinder engines / Motores 4 cilindros</b>							
2100	-	-	60/574-24 (PE931140)	60/625-13 (PE70114566)	-	-	
2200	-	-			-	-	
2300 (EU)	-	-		-	-	-	
2300 (MEX)	-	-		-	-	-	
2400 (EU)	-	-		60/625-13 (PE70114566)	-	-	
2700	-	-		-	-	-	
2800	-	-		60/240-16 (PE78420010)	60/240-73 (PE78420908)	-	-
2900	-	-		-	-	-	
<b>3000 SERIES / SERIE 3000</b>							
<b>3 cylinder engines / Motores 3 cilindros</b>							
3100, 3110	-	-	-	60/655-6 (ER5000, RT6005003244)	60/641-12 (RT6005007631)	-	

Part numbers are quoted for reference purposes only.  
 Our parts and accessories are not original.

**"THE RELIABLE SERVICE"**

Las referencias originales tienen un propósito indentifica-  
 tivo. Nuestras piezas no son originales.

## HYDRAULIC FILTERS FILTROS HIDRÁULICOS



See pages 281-282 for the photos and dimensions of the parts shown below. / Ver páginas 281 y 282 para fotos y dimensiones de los artículos siguientes.

Tractors <i>Tractores</i>	Transmission <i>Transmisión</i>	Steering <i>Dirección</i>	Hydraulics <i>Hidráulico</i>		
<b>3000 SERIES / SERIE 3000</b>					
<i>4 cylinder engines / Motores 4 cilindros</i>					
3200, 3200X	-	-	-	-	
3210, 3210X	-	-	-	-	
3300, 3300X	-	-	60/655-6 (ER5000, RT6005003244)	60/641-12 (RT6005007631)	
3310, 3310X	-	-			
3400, 3400X	-	-			
3410, 3410X	-	-			
5000, 5003, 5004, 5005, 5010, 5015, 5020, 5025	<b>SERIES / SERIES 5000, 5003, 5004, 5005, 5010, 5015, 5020, 5025</b>				
<i>3 cylinder engines / Motores 3 cilindros</i>					
5200 5300 (USA)	60/655-21 (RE45864)	-	-	-	
5300 (EU), 5300N	60/655-6 (ER5000)	-	60/641-33 (ER136693)	-	
5400 (EU), 5400N (EU)		-		-	
5400 (USA), 5400N (USA)	60/655-21 (RE45864)	-	-	-	
5103 (All Countries / Para todos los países)		-	-	-	
5203 (All Countries / Para todos los países)		-	-	-	
5303 (All Countries / Para todos los países)		-	-	-	
5403 (All Countries / Para todos los países)		-	-	-	
5503 (All Countries / Para todos los países)		-	-	-	
5104 5204		-	-	-	-
5105 5205		-	-	-	-
5210		-	-	-	-
5310 (Asia), 5310 (IND)		-	-	-	-

Part numbers are quoted for reference purposes only.  
 Our parts and accessories are not original.

**"THE RELIABLE SERVICE"**

Las referencias originales tienen un propósito identificativo. Nuestras piezas no son originales.

**HYDRAULIC FILTERS**  
**FILTROS HIDRÁULICOS**



See pages 281-282 for the photos and dimensions of the parts shown below. / Ver páginas 281 y 282 para fotos y dimensiones de los artículos siguientes.

Tractors <i>Tractores</i>	Transmission <i>Transmisión</i>	Steering <i>Dirección</i>	Hydraulics <i>Hidráulico</i>
5000, 5003, 5004, 5005, 5010, 5015, 5020, 5025 SERIES / SERIES 5000, 5003, 5004, 5005, 5010, 5015, 5020, 5025			
3 cylinder engines / Motores 3 cilindros			
5310 (EU), 5310N (EU)	60/655-6 (ER5000)	-	60/641-33 (ER136693)
5310 (USA), 5310N (USA)	60/655-21 (RE45864)	-	-
5310S 5410 (IND) 5610		-	-
5410 (EU), 5410N		60/641-33 (ER136693)	-
5215 5315	60/655-6 (ER5000)	60/655-22 (ER262825)	-
5220	60/655-21 (RE45864)	-	-
5320, 5320N		-	-
4 cylinder engines / Motores 4 cilindros			
5500 (EU), 5500N (EU)	60/655-6 (ER5000)	-	60/641-33 (ER136693)
5500 (USA), 5500N (USA)	60/655-21 (RE45864)	-	-
5403 (BR)		-	-
5603		-	-
5605 5705		-	-
5410 (USA)		-	-
5510 (EU), 5510N (EU)	60/655-6 (ER5000)	-	60/641-33 (ER136693)
5510 (USA), 5510N (USA)	60/655-21 (RE45864)	-	-
5415 (MEX), 5415N 5615 (MEX)		-	-
5415 (EU)		60/655-6 (ER5000)	60/655-22 (ER262825)
5515 5615 (EU)	-	-	-

Part numbers are quoted for reference purposes only.  
 Our parts and accessories are not original.

**"THE RELIABLE SERVICE"**

Las referencias originales tienen un propósito identificativo. Nuestras piezas no son originales.



## HYDRAULIC FILTERS FILTROS HIDRÁULICOS



See pages 281-282 for the photos and dimensions of the parts shown below. / Ver páginas 281 y 282 para fotos y dimensiones de los artículos siguientes.

Tractors Tractores	Transmission Transmisión	Steering Dirección	Hydraulics Hidráulico	
5000, 5003, 5004, 5005, 5010, 5015, 5020, 5025 SERIES / SERIES 5000, 5003, 5004, 5005, 5010, 5015, 5020, 5025				
4 cylinder engines / Motores 4 cilindros				
5615 (TUR) 5715	60/655-21 (RE45864)	-	-	
5420, 5420N		-	-	
5520, 5520N		-	-	
5620	60/641-29 (AL118036)	-	-	
5720, 5820		-	-	
5425 (MEX), 5425N (MEX) 5625 (MEX)	60/655-21 (RE45864)	60/655-23 (RE197065) Transmission PowerReverser	-	
5425 (USA), 5425N (USA) 5525, 5525N 5625 (USA)	-	60/655-23 (RE197065)	-	
5725, 5725N	60/655-21 (RE45864)	60/655-23 (RE197065) Transmission PowerReverser	-	
6000, 6003, 6005, 6010, 6015, 6020, 6030 SERIES / SERIES 6000, 6003, 6005, 6010, 6015, 6020, 6030				
4 cylinder engines / Motores 4 cilindros				
6100 6200, 6200L 6300, 6300L, 6400, 6400L 6500, 6500L	60/641-247 (AL156625)	-	60/641-247 (AL156625) With 25cm <sup>3</sup> hydr. pump Con bomba hidráulica 25cm <sup>3</sup>	
6100SE 6200SE, 6300SE, 6400SE		-	60/641-256 (AL113475) (113mm)	60/641-29 (AL118036) With 40/41cm <sup>3</sup> hydr. pump Con bomba hidráulica 40/41cm <sup>3</sup>
6400SP		-	60/641-256 (AL113475) (113mm) Vertical Vertical	60/641-30 (AL112936) (208mm) Vertical Vertical
			60/655-21 (RE45864) Horizontal Horizontal	

Part numbers are quoted for reference purposes only.  
 Our parts and accessories are not original.

**"THE RELIABLE SERVICE"**

Las referencias originales tienen un propósito indentifica-  
 tivo. Nuestras piezas no son originales.

**HYDRAULIC FILTERS**  
**FILTROS HIDRÁULICOS**



See pages 281-282 for the photos and dimensions of the parts shown below. / Ver páginas 281 y 282 para fotos y dimensiones de los artículos siguientes.

Tractors <i>Tractores</i>	Transmission <i>Transmisión</i>	Steering <i>Dirección</i>	Hydraulics <i>Hidráulico</i>
6000, 6003, 6005, 6010, 6015, 6020, 6030 SERIES / SERIES 6000, 6003, 6005, 6010, 6015, 6020, 6030			
4 cylinder engines / Motores 4 cilindros			
6403	-	-	60/641-257 (RE172178)
6205	-	-	60/641-256 (AL113475) (113mm)
6405 (BR)	60/240-107 (AL158624) With creeper Cambio con re- ductora	-	60/655-21 (RE45864) With 60 LPM hydr. pump Con bomba hydr. 60 L/min.
6405 (USA)	-	-	60/641-29 (AL118036) With 100 LPM hydr. pump Con bomba hydr. 100 L/min.
6010 (EU), 6010SE 6110 (EU), 6110SE 6210 (EU), 6210SE 6310 (EU), 6310SE 6410 (EU), 6410SE With 23 and 27/28 cm <sup>3</sup> gear pumps Without AutoPowr (IVT) Con 23 y 27/28 cm <sup>3</sup> bomba de engranajes Sin AutoPowr (IVT)	60/641-247 (AL158625)	-	60/641-256 (AL113475) (113mm) (⇒256924)
6010 6110, 6110L 6210, 6210L 6310, 6310L, 6310S 6410, 6410L, 6410S 6510L, 6510S With 25 and 40/41 cm <sup>3</sup> piston pumps Without AutoPowr (IVT) Con 25 et 40/41 cm <sup>3</sup> bomba de pistones Sin AutoPowr (IVT)	-	-	60/641-247 (AL158625) With 25cm <sup>3</sup> hydr. pump Con bomba hidráulica 25cm <sup>3</sup>
6410 (EU) With AutoPowr (IVT) Con AutoPowr (IVT)	60/240-108 (AL118321, AL151235)	-	60/240-108 (AL118321, AL151235)
6215	60/641-247 (AL158625)	-	60/641-30 (AL112936) (208mm) (⇒366729)
6415 (BR)	-	-	60/641-31 (AL160771) (250mm) (366730⇒)

Part numbers are quoted for reference purposes only.  
 Our parts and accessories are not original.

**"THE RELIABLE SERVICE"**

Las referencias originales tienen un propósito identifica-  
 tivo. Nuestras piezas no son originales.

## HYDRAULIC FILTERS FILTROS HIDRÁULICOS



See pages 281-282 for the photos and dimensions of the parts shown below. / Ver páginas 281 y 282 para fotos y dimensiones de los artículos siguientes.

Tractors <i>Tractores</i>	Transmission <i>Transmisión</i>	Steering <i>Dirección</i>	Hydraulics <i>Hidráulico</i>
6000, 6003, 6005, 6010, 6015, 6020, 6030 SERIES / SERIES 6000, 6003, 6005, 6010, 6015, 6020, 6030			
4 cylinder engines / Motores 4 cilindros			
6415 (MEX)	-	-	60/641-30 (AL112936) (208mm) (⇒001112)
6415 (USA)	-	-	60/641-31 (AL160771) (250mm) (001113↔)
6020 (EU), 6020SE 6120 (EU), 6120SE 6220 (EU), 6220SE 6320 (EU), 6320SE 6420 (EU), 6420SE With 23 and 27/28 cm <sup>3</sup> gear pumps Without AutoPowr (IVT) Con 23 y 27/28 cm <sup>3</sup> bomba de engranajes Sin AutoPowr (IVT)	60/641-247 (AL156625)	-	60/641-30 (AL112936) (208mm) (⇒366729)
6020 6120, 6120L 6220, 6220L 6320, 6320L 6420, 6420L, 6420S 6520L With 25 and 40/41 cm <sup>3</sup> piston pumps Without AutoPowr (IVT) Con 25 et 40/41 cm <sup>3</sup> bomba de pistones Sin AutoPowr (IVT)	-	-	60/641-31 (AL160771) (250mm) (366730↔)
6320 6420, 6420S With AutoPowr (IVT) Con AutoPowr (IVT)	60/240-108 (AL118321)	-	60/641-29 (AL118036)
6225, 6325, 6425	-	-	60/240-108 (AL118321) (⇒359120)
6130, 6230, 6330, 6430	-	-	60/641-31 (AL160771) (359121↔)
6230PR, 6330PR, 6430PR Without AutoPowr (IVT) Sin AutoPowr (IVT)	60/641-247 (AL156625)	-	-
6230PR, 6330PR, 6430PR With AutoPowr (IVT) Con AutoPowr (IVT)	60/240-108 (AL118321)	-	60/641-258 (AL169573)

Part numbers are quoted for reference purposes only.  
 Our parts and accessories are not original.

**"THE RELIABLE SERVICE"**

Las referencias originales tienen un propósito identificativo. Nuestras piezas no son originales.

## HYDRAULIC FILTERS FILTROS HIDRÁULICOS



See pages 281-282 for the photos and dimensions of the parts shown below. / Ver páginas 281 y 282 para fotos y dimensiones de los artículos siguientes.

Tractors Tractores	Transmission Transmisión	Steering Dirección	Hydraulics Hidráulico	
6000, 6003, 6005, 6010, 6015, 6020, 6030 SERIES / SERIES 6000, 6003, 6005, 6010, 6015, 6020, 6030				
6 cylinder engines / Motores 6 cilindros				
6506	60/641-247 (AL156625)	-	60/641-247 (AL156625) With 25cm <sup>3</sup> hydr. pump Con bomba hidráulica 25cm <sup>3</sup>	
6600		-	60/641-29 (AL118036) With 40/41cm <sup>3</sup> hydr. pump Con bomba hidráulica 40/41cm <sup>3</sup>	
6800 6900		-	-	
6603	-	-	60/641-257 (RE172178)	
6505	60/641-247 (AL156625)	-	60/641-256 (AL113475) (113mm)	
6605 (BR)		-	60/641-29 (AL118036) With 100 LPM hydr. pump Con bomba hydr. 100 L/min.	
6605 (USA)		-	60/641-30 (AL112936) (208mm)	
6510, 6510SE 6610, 6610SE With 23 and 27/28 cm <sup>3</sup> gear pumps Without AutoPowr (IVT) Con 23 y 27/28 cm <sup>3</sup> bomba de engranajes Sin AutoPowr (IVT)		60/240-107 (AL156624) With creeper Cambio con re- ductora	-	60/641-256 (AL113475) (113mm) (↔256924)
6510 6610 With 25 and 40/41 cm <sup>3</sup> piston pumps Without AutoPowr (IVT) Con 25 et 40/41 cm <sup>3</sup> piston de bombas Sin AutoPowr (IVT)		-	-	60/641-29 (AL118036) With 40/41cm <sup>3</sup> hydr. pump Con bomba hidr. 40/41cm <sup>3</sup>
6610 With AutoPowr (IVT) Con AutoPowr (IVT)		60/240-108 (AL118321)	-	60/240-108 (AL118321)
6810 PowrShift & PowrQuad		60/641-247 (AL156625)	-	60/641-29 (AL118036) With 40/41cm <sup>3</sup> hydr. pump Con bomba hidr. 40/41cm <sup>3</sup>

Part numbers are quoted for reference purposes only.  
 Our parts and accessories are not original.

**"THE RELIABLE SERVICE"**

Las referencias originales tienen un propósito identifica-  
 tivo. Nuestras piezas no son originales.

## HYDRAULIC FILTERS FILTROS HIDRÁULICOS



See pages 281-282 for the photos and dimensions of the parts shown below. / Ver páginas 281 y 282 para fotos y dimensiones de los artículos siguientes.

Tractors <i>Tractores</i>	Transmission <i>Transmisión</i>	Steering <i>Dirección</i>	Hydraulics <i>Hidráulico</i>
6000, 6003, 6005, 6010, 6015, 6020, 6030 SERIES / SERIES 6000, 6003, 6005, 6010, 6015, 6020, 6030			
6 cylinder engines / Motores 6 cilindros			
6910 PowrShift	60/641-247 (AL156625)	-	-
6910 PowrQuad	60/641-247 (AL156625) (↔254352)	60/240-107 (AL156624) (254353↔) With motor Con motor 103KW (140HP)	60/641-247 (AL156625) With 25cm <sup>3</sup> hydr. pump Con bomba hidráulica 25cm <sup>3</sup> (↔263739)
6910S PowrQuad	-	-	60/641-29 (AL118036) With 40/41cm <sup>3</sup> hydr. pump Con bomba hidráulica 40/41cm <sup>3</sup> (↔263739)
6810, 6910, 6910S With / Con AutoPowr (IVT)	60/240-108 (AL118321)	-	60/641-29 (AL118036)
6815 (BR)	-	-	60/641-31 (AL160771)
6515 6815 (USA) 6715	-	-	-
6520, 6520SE 6620, 6620SE With 23 and 27/28 cm <sup>3</sup> gear pumps Without AutoPowr (IVT) Con 23 y 27/28 cm <sup>3</sup> bomba de engranajes Sin AutoPowr (IVT)	60/641-247 (AL156625)	-	60/641-30 (AL112936) (208mm) (↔366729)
6520 6820 With 25 and 41 cm <sup>3</sup> piston pumps Without AutoPowr (IVT) Con 25 et 41 cm <sup>3</sup> bomba de pistones Sin AutoPowr (IVT)	-	-	60/641-31 (AL160771) (250mm) (366730↔)
6520, 6620 With /Con AutoPowr (IVT)	60/240-108 (AL118321)	-	60/641-31 (AL160771) (359121↔)
6820, 6920, 6920S With / Con PowrQuad	60/641-247 (AL156625)	-	60/641-29 (AL118036)
6820, 6920, 6920S With / Con AutoPowr (IVT)	60/240-108 (AL118321)	-	60/641-31 (AL160771) (359121↔)

Part numbers are quoted for reference purposes only.  
Our parts and accessories are not original.

**"THE RELIABLE SERVICE"**

Las referencias originales tienen un propósito identificativo. Nuestras piezas no son originales.

**HYDRAULIC FILTERS**  
**FILTROS HIDRÁULICOS**



See pages 281-282 for the photos and dimensions of the parts shown below. / Ver páginas 281 y 282 para fotos y dimensiones de los artículos siguientes.

Tractors <i>Tractores</i>	Transmission <i>Transmisión</i>	Steering <i>Dirección</i>	Hydraulics <i>Hidráulico</i>
<b>6000, 6003, 6005, 6010, 6015, 6020, 6030 SERIES / SERIES 6000, 6003, 6005, 6010, 6015, 6020, 6030</b>			
<b>6 cylinder engines / Motores 6 cilindros</b>			
6525	<b>60/641-247</b> (AL156625)	-	-
6530, 6630 6830, 6930		-	-
6530PR, 6630PR 6830PR Without AutoPowr (IVT) <i>Sin AutoPowr (IVT)</i>		-	-
6930PR Without AutoPowr (IVT) <i>Sin AutoPowr (IVT)</i>		<b>60/641-258</b> (AL169573)	-
6530PR, 6630PR 6830PR, 6930PR With AutoPowr (IVT) <i>Con AutoPowr (IVT)</i>	<b>60/240-107</b> (AL156624)	-	-
<b>7000, 7005, 7010, 7015, 7020, 7030 SERIES / SERIES 7000, 7005, 7010, 7015, 7020, 7030</b>			
<b>6 cylinder engines / Motores 6 cilindros</b>			
7200	<b>60/641-247</b> (AL156625, AL77061) PowrQuad	<b>60/240-107</b> (AL156624, RE55801) SyncroPlus	<b>60/641-10</b> (RE205726, RE39527)
7400		-	-
7500		-	<b>60/655-21</b> (RE45864)
7600	<b>60/641-10</b> (RE205726, RE39527) PowrQuad	<b>60/641-29</b> (AL118036, RE47313) Power Shift	<b>60/641-10</b> (RE205726, RE39527)
7700		-	-
7800		-	-
7405	<b>60/641-247</b> (AL156625, AL77061) PowrQuad	-	<b>60/655-21</b> (RE45864)
7505	<b>60/641-10</b> (RE205726) (⇔25887)	<b>60/240-107</b> (AL156624) (25888⇔)	<b>60/655-21</b> (RE45864) With 60 LPM hydr. pump <i>Con bomba hydr. 60 L/min</i> <b>60/641-10</b> (RE205726) With 100 LPM hydr. pump <i>Con bomba hydr. 100 L/min.</i>

Part numbers are quoted for reference purposes only.  
 Our parts and accessories are not original.

**"THE RELIABLE SERVICE"**

Las referencias originales tienen un propósito identificativo. Nuestras piezas no son originales.

## HYDRAULIC FILTERS FILTROS HIDRÁULICOS



See pages 281-282 for the photos and dimensions of the parts shown below. / Ver páginas 281 y 282 para fotos y dimensiones de los artículos siguientes.

Tractors <i>Tractores</i>	Transmission <i>Transmisión</i>	Steering <i>Dirección</i>	Hydraulics <i>Hidráulico</i>		
7000, 7005, 7010, 7015, 7020, 7030 SERIES / SERIES 7000, 7005, 7010, 7015, 7020, 7030					
6 cylinder engines / Motores 6 cilindros					
7210, 7410	60/641-247 (AL156625, AL77081) PowrQuad	60/240-107 (AL156624, RE55801) SyncroPlus	-	-	-
7510	-	-	-	60/641-10 (RE205726, RE39527)	-
7610	60/641-10 (RE205726, RE39527)	60/641-29 (AL118036, RE47313) Power Shift	-	-	-
7710, 7810 (USA) Without AutoPowr (IVT) <i>Sin AutoPowr (IVT)</i>	60/641-10 (RE205726, RE39527)	-	-	-	-
7710, 7810 (USA) With AutoPowr (IVT) <i>Con AutoPowr (IVT)</i>	60/641-240 (RE161181)	-	-	60/641-240 (RE161181)	-
7810 (BR)	60/641-10 (RE205726, RE39527)	-	-	60/641-10 (RE205726, RE39527)	-
7515	60/641-247 (AL156625)	-	-	60/641-31 (AL160771)	-
7715, 7815	60/641-10 (RE205726, RE39527)	-	-	60/641-242 (RE273801, RE198381)	-
7220 7320 PowrQuad	60/641-247 (AL156625)	-	-	60/641-29 (AL118036)	-
7220 AutoPowr (IVT)	60/240-108 (AL118321) (012451⇔)	-	-	-	60/641-31 (AL160771) (012451⇔)
7320 AutoPowr (IVT)	60/240-108 (AL118321)	-	-	60/240-108 (AL118321) (⇔001593)	60/641-31 (AL160771) (001594⇔)
7420 (MEX), 7420 (USA) PowrQuad	60/641-247 (AL156625)	-	-	60/641-29 (AL118036)	-
7420 (USA) AutoPowr (IVT)	60/240-108 (AL118321)	-	-	60/240-108 (AL118321) (⇔001525)	60/641-31 (AL160771) (001526⇔)

Part numbers are quoted for reference purposes only.  
 Our parts and accessories are not original.

**"THE RELIABLE SERVICE"**

Las referencias originales tienen un propósito identificativo. Nuestras piezas no son originales.

**HYDRAULIC FILTERS**  
**FILTROS HIDRÁULICOS**



See pages 281-282 for the photos and dimensions of the parts shown below. / Ver páginas 281 y 282 para fotos y dimensiones de los artículos siguientes.

Tractors <i>Tractores</i>	Transmission <i>Transmisión</i>	Steering <i>Dirección</i>	Hydraulics <i>Hidráulico</i>
7000, 7005, 7010, 7015, 7020, 7030 SERIES / SERIES 7000, 7005, 7010, 7015, 7020, 7030			
6 cylinder engines / Motores 6 cilindros			
7520 (MEX) PowrQuad	60/240-107 (AL156624)	-	60/641-29 (AL118036)
7520 (USA) PowrQuad	60/240-107 (AL156624) (↔060936)	60/641-247 (AL156625) (060937↔)	-
7520 (USA) AutoPowr (IVT)	60/240-108 (AL118321)	-	60/240-108 (AL118321) (↔001580)
7720, 7820 PowrQuad & AutoQuad	60/641-10 (RE205726)	-	60/641-242 (RE273801, RE198381)
7720, 7820 7920 AutoPowr (IVT)	60/641-240 (RE161181)	-	-
7425, 7525	60/240-107 (AL156624) (114mm)	60/641-247 (AL156625) (150mm)	-
7130, 7230, 7330	-	-	60/641-258 (AL169573)
7130PR, 7230PR, 7330PR 7430PR, 7530PR PowrQuad	60/641-247 (AL156625)	-	-
7130PR, 7230PR, 7330PR 7430PR, 7530PR AutoPowr (IVT)	60/240-108 (AL118321)	-	-
7630, 7730, 7830, 7930 PowrQuad	60/641-10 (RE205726)	-	60/641-242 (RE273801, RE198381)
7630, 7730, 7830, 7930 AutoPowr (IVT)	60/641-240 (RE161181)	-	-

Part numbers are quoted for reference purposes only.  
 Our parts and accessories are not original.

**"THE RELIABLE SERVICE"**

Las referencias originales tienen un propósito identifica-  
 tivo. Nuestras piezas no son originales.



## HYDRAULIC FILTERS FILTROS HIDRÁULICOS



See pages 281-282 for the photos and dimensions of the parts shown below. / Ver páginas 281 y 282 para fotos y dimensiones de los artículos siguientes.

Tractors <i>Tractores</i>	Transmission <i>Transmisión</i>	Steering <i>Dirección</i>	Hydraulics <i>Hidráulico</i>				
<b>8000, 8010, 8020, 8030 SERIES / SERIES 8000, 8010, 8020, 8030</b>							
<b>6 cylinder engines / Motores 6 cilindros</b>							
8100, 8200, 8300, 8400	60/641-243 (RE174130, RE51797)	-	-	60/641-243 (RE174130, RE51797)	-	-	
8100T, 8200T, 8300T, 8400T		-	60/574-28 (RE69054)		-	-	
8110, 8210, 8310, 8410	60/641-243 (RE174130, RE152658)	-	-	60/641-243 (RE174130, RE152658)	-	-	
8110T, 8210T, 8310T, 8410T		-	60/574-28 (RE69054)		-	-	
8120, 8220, 8320, 8420, 8520		-	-		-	-	
8120T, 8220T, 8320T, 8420T, 8520T		-	60/574-28 (RE69054)		-	-	
8130, 8230, 8330, 8430, 8530		60/641-259 (RE210857)	-		-	60/641-259 (RE210857)	-
8230T, 8330T, 8430T	60/641-243 (RE174130, RE152658)	-	60/574-28 (RE69054)	60/641-243 (RE174130, RE152658)	-	-	
<b>9000, 9020, 9030 SERIES / SERIES 9000, 9020, 9030</b>							
<b>6 cylinder engines / Motores 6 cilindros</b>							
9100	60/641-243 (RE174130, RE51797)	-	-	60/641-243 (RE174130, RE51797)	60/641-247 (AL156625) Motor Seal Junta motor Drain Kit Juego de desagüe	-	
9200, 9300, 9400		60/641-247 (AL156625, AL77061) Axle lube Engrase puente delantero	-			-	-
9300T, 9400T		60/641-260 (RE34958) Clean up Limpieza	60/641-10 (RE205726) (↔902087)			60/574-28 (RE69054) (902088↔)	-

Part numbers are quoted for reference purposes only.  
 Our parts and accessories are not original.

**"THE RELIABLE SERVICE"**

Las referencias originales tienen un propósito identifica-  
 tivo. Nuestras piezas no son originales.

**HYDRAULIC FILTERS**  
**FILTROS HIDRÁULICOS**



Tractors <i>Tractores</i>	Transmission <i>Transmisión</i>	Steering <i>Dirección</i>	Hydraulics <i>Hidráulico</i>	
9000, 9020, 9030 SERIES / SERIES 9000, 9020, 9030				
6 cylinder engines / Motores 6 cilindros				
9120, 9220, 9320, 9420, 9520, 9620	60/641-243 (RE174130, RE152658)	-	60/641-243 (RE174130, RE152658)	
9320T, 9420T, 9520T, 9620T		60/574-28 (RE69054)		60/641-247 (AL156625) Motor Seal Junta motor Drain Kit Juego de desagüe
9230, 9330, 9430, 9530, 9630		-		-
9430T, 9530T, 9630T		60/574-28 (RE69054)		-

Ref. <i>Ref.</i>	Ø x H	Thread <i>Rosca</i>	Ref. <i>Ref.</i>	Ø x H	Thread <i>Rosca</i>
60/240-1	114 x 142	-	60/641-33	-	-
60/240-2	119 x 139	-	60/641-240	96 x 240	1 3/4" -12
60/240-3	117 x 198	-	60/641-242	121 x 193	1 3/4" -12
60/240-16	76 x 105	-	60/641-243	121 x 362	1 3/4" -12
60/240-73	85 x 140	-	60/641-244	121 x 295	1 3/4" -12
60/240-107	94 x 114	1 3/8" -12	60/641-246	120 x 295	1 3/4" -12
60/240-108	78 x 230	-	60/641-247	100 x 154	1 3/8" -12
60/240-240	140 x 199	-	60/641-256	79 x 113	-
60/240-260	115 x 200	-	60/641-257	90 x 170	-
60/240-261	55 x 130	-	60/641-258	90 x 280	-
60/240-262	42 x 205	-	60/641-259	121 x 295	1 3/4" -12
60/574-24	125 x 118,5	-	60/641-260	97 x 240	1 3/8" -12
60/574-28	97 x 152	1 3/8" -12	60/655-6	51,5 x 115	-
60/625-13	85 x 145	-	60/655-14	94 x 180	-
60/641-10	97 x 240	1 3/8" -12	60/655-21	130 x 170	1 1/2" -16
60/641-12	80 x 141	-	60/655-22	50 x 114	-
60/641-29	97 x 240	1 3/8" -12	60/655-23	110 x 130	-
60/641-30	79 x 208	-			
60/641-31	76 x 250	-			

Part numbers are quoted for reference purposes only.  
 Our parts and accessories are not original.

**"THE RELIABLE SERVICE"**

Las referencias originales tienen un propósito identificativo.  
 Nuestras piezas no son originales.

**HYDRAULIC FILTERS**  
**FILTROS HIDRÁULICOS**

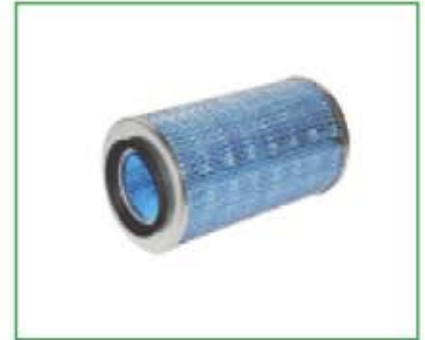
60/240-1 	60/240-2 	60/240-3 	60/240-16 	60/240-73 	60/240-107 
60/240-108 	60/240-240 	60/240-260 	60/240-261 	60/240-262 	60/574-24 
60/574-28 	60/625-13 	60/641-10 	60/641-12 	60/641-29 	60/641-30 
60/641-31 	60/641-33 	60/641-240 	60/641-242 	60/641-243 	60/641-244 
60/641-246 	60/641-247 	60/641-256 	60/641-257 	60/641-258 	60/641-259 
60/641-260 	60/655-6 	60/655-14 	60/655-21 	60/655-22 	60/655-23 

Part numbers are quoted for reference purposes only.  
 Our parts and accessories are not original.

**"THE RELIABLE SERVICE"**

Las referencias originales tienen un propósito identificativo. Nuestras piezas no son originales.

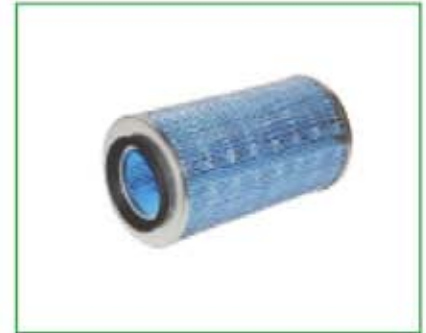
**CAB FILTER**  
**FILTROS AIRE DE CABINA**



See page 286 for the photos and dimensions of the parts shown below / Ver página 286 para fotos y dimensiones de los artículos siguientes.

Tractors <i>Tractores</i>	Ref. <i>Ref.</i>	OEM <i>OEM</i>	Dimensions <i>Dimensiones</i>	Remarks <i>Comentario</i>
940, 1040, 1140 1640, 2040, 2040S (430000↔) 1550, 1750, 1850, 1950, 2250, 2450, 2650, 2850 Tractors with MC1 & CC2 cab <i>Tractores con cabina MC1 &amp; CC2</i>	60/4200-18	L58629	475x123x57 mm	Fresh air filter <i>Filtro de aire fresco</i>
1640 (DE), 2040 (DE), 2040S (DE), 2140 (DE) (430000↔) 3040, 3140 (DE) (430000↔) 3640 2250TSS (DE), 2450TSS (DE), 2650TSS (DE), 2850 (DE) 3050, 3350 (DE), 3650 Tractors with SG2 cab <i>Tractores con cabina SG2</i>	60/4200-295	L38596	500x144x57mm	Fresh air filter <i>Filtro de aire fresco</i>
1640, 2040, 2040S, 2140 (430000↔) 2250 (DE), 2350, 2355, 2450, 2550, 2555, 2650, 2750, 2755, 2850, 2855N, 2940, 2950, 2955 3040, 3140 (430000↔) 3020, 3050, 3055, 3150, 3155, 3255, 3350, 3640, 3640S, 3650, 4000, 4020, 4030, 4040, 4040S, 4050, 4055, 4230, 4240, 4240S, 4250, 4255, 4320, 4350, 4430, 4440, 4450, 4455, 4520, 4555, 4560, 4620, 4630, 4640, 4650, 4755, 4760, 4840, 4850, 4955, 4960, 7020, 6030, 7520 (USA), 8430, 8440, 8450, 8630, 8640, 8650, 8850	60/4200-244	AR49986, AR61903, RE12793, L38598	710x190x55mm	Fresh air filter <i>Filtro de aire fresco</i>
	60/4200-245	RE67830	707x190x70mm	High performance <i>Alto rendimiento</i>
	60/4200-221A	RE67830, AR49886, AR61903, RE12793, L38598	711x190x55mm	Activated carbon <i>Carbón activado</i>
3100, 3110, 3200, 3200X, 3210, 3210X, 3300, 3300X, 3310, 3310X, 3400, 3400X, 3410, 3410X	60/4200-122	RT7700005490	211x211x49mm	Fresh air filter <i>Filtro de aire fresco</i>
5220, 5225, 5320, 5325, 5420, 5425, 5520, 5525, 5603 (USA), 5620, 5625, 5720, 5725, 5820 6403, 6603 (MEX), 6603 (USA)	60/4200-103	RE198488, RE73220	390x126x30mm	Fresh air filter <i>Filtro de aire fresco</i>
	60/4200-103A	RE261352		Activated carbon <i>Carbón activado</i>
	60/4200-104	RE195491	305x105x30mm	Recirculation air filter <i>Filtro de recirculación de aire</i>
	60/4200-104A	RE261353		Activated carbon <i>Carbón activado</i>

**CAB FILTER**  
**FILTROS AIRE DE CABINA**



See page 286 for the photos and dimensions of the parts shown below / Ver página 286 para fotos y dimensiones de los artículos siguientes.

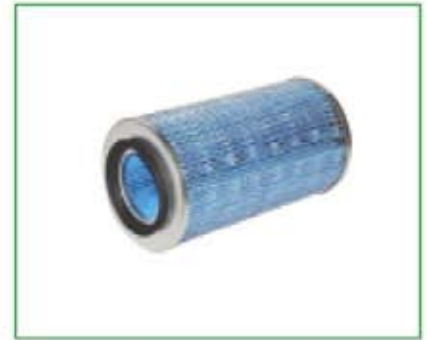
Tractors Tractores	Ref. Ref.	OEM OEM	Dimensions Dimensiones	Remarks Comentario
5310N (USA), 5320N, 5325N, 5400N (USA), 5420N, 5425N, 5525N, 5500N (USA), 5510N (USA), 5520N, 6010, 6010SE, 6020, 6020SE, 6100, 6100SE, 6110, 6110SE, 6120, 6120SE, 6130, 6200, 6200SE, 6210, 6210SE, 6215 (USA), 6220, 6220SE, 6230, 6230PR, 6300, 6300SE, 6310, 6310S, 6310SE, 6320, 6320L, 6320SE, 6330, 6330PR, 6400, 6400SE, 6405, 6410, 6410S, 6410SE, 6415 (BR), 6415 (USA), 6420, 6420L, 6420S, 6420SE, 6430, 6430PR, 6500, 6506, 6510, 6510S, 6510SE, 6520, 6520L, 6520SE, 6530PR, 6600, 6605, 6610, 6610SE, 6615, 6620, 6620SE, 6630PR, 6715, 6800, 6810, 6820, 6830PR, 6900, 6910, 6910S, 6920, 6920S, 6930PR, 7130, 7130PR, 7220, 7230, 7230PR, 7320, 7330, 7330PR, 7420, 7430, 7430PR, 7505, 7515, 7520, 7530PR	60/4200-241	AL119095, AL177184	575x120x85mm	Fresh air filter Filtro de aire fresco
	60/4200-240	AL76555, AL111748, AL115625, AL119096, AL177185	575 x120x85mm	High performance Alto rendimiento
	60/4200-240A	-	575 x120x85mm	Activated carbon Carbón activado
6110, 6210, 6310, 6310S, 6410, 6410S, 6510, 6510S, 6610, 6810, 6910, 6910S	60/4200-242A	AL158991, AL158985	-	2 x 4200-240A + 1 x 4200-203A + 1 x 4200-204A
	60/4200-203A	L156235	205 x165x35mm	Left - Activated carbon Izquierdo - Carbón activado
	60/4200-204A	L156236	205x165x35mm	Right - Activated carbon Derecho - Carbón activado
	60/4200-243	AL71259	GL:150 x PL:100 L:190 Ep:34 mm	Left and Right Izquierdo y Derecho
6120, 6130, 6220, 6230, 6230PR, 6320, 6320L, 6330, 6330PR, 6420, 6420L, 6420S, 6430, 6430PR, 6520, 6520L, 6530, 6530PR, 6620, 6630, 6630PR, 6820, 6830, 6830PR, 6920, 6920S, 6930, 6930PR, 7130, 7130PR, 7220, 7230, 7230PR, 7320, 7330, 7330PR, 7420, 7430PR, 7520, 7530PR	60/4200-108	L116025, L155288	198 x140x40mm	Recirculation air filter Filtro de recirculación de aire
	60/4200-108A	L156225	198x140x40mm	Activated carbon Carbón activado
7200, 7210, 7400, 7410, 7510, 7600, 7610, 7700, 7710, 7800, 7810 (BR), 7810 (USA)	60/4200-246	RE48882	230x180x45mm	Recirculation air filter Filtro de recirculación de aire
	60/4200-248	RE151778	228x180x45mm	High performance Alto rendimiento
	60/4200-249A	RE201745	225x180x45mm	Activated carbon Carbón activado

Part numbers are quoted for reference purposes only.  
 Our parts and accessories are not original.

**"THE RELIABLE SERVICE"**

Las referencias originales tienen un propósito identifica-  
 tivo. Nuestras piezas no son originales.

**CAB FILTER**  
**FILTROS AIRE DE CABINA**



See page 286 for the photos and dimensions of the parts shown below / Ver página 286 para fotos y dimensiones de los artículos siguientes.

Tractors Tractores	Ref. Ref.	OEM OEM	Dimensions Dimensiones	Remarks Comentario
7200, 7210, 7400, 7410, 7510, 7600, 7610, 7630, 7700, 7710, 7715, 7720, 7730, 7800, 7810 (BR), 7810 (USA), 7815, 7820, 7830, 7920, 7930	60/4200-260	RE24619	305 x Ø 172mm	Fresh air filter Filtro de aire fresco
8120, 8130, 8220, 8230, 8320, 8330, 8420, 8430, 8520, 8530, 8560, 8570, 8760, 8770, 8870, 8960, 8970	60/4200-252	RE67829	313x Ø 173mm	High performance Alto rendimiento
9100, 9120, 9200, 9220, 9230, 9300, 9300T, 9320, 9320T, 9330, 9400, 9400T, 9420, 9420T, 9430, 9430T, 9520, 9520T, 9530, 9530T, 9620, 9620T, 9630, 9630T	60/4200-247A	RE199681	300x Ø 200mm	Activated carbon Carbón activado
7630, 7715, 7720, 7730, 7815, 7820, 7830, 7920, 7930	60/4200-257	RE165044, RE187966	320x165x47mm	Recirculation air filter Filtro de recirculación de aire
8110, 8110T, 8120, 8120T, 8130, 8210, 8210T, 8220, 8220T, 8230, 8230T, 8310, 8310T, 8320, 8320T, 8330, 8330T, 8410, 8410T, 8420, 8420T, 8430, 8430T, 8520, 8520T, 8530	60/4200-106	RE70742	318x165x48mm	High performance Alto rendimiento
9100, 9120, 9200, 9220, 9230, 9300, 9300T, 9320, 9320T, 9330, 9400, 9400T, 9420, 9420T, 9430, 9430T, 9520, 9520T, 9530, 9530T, 9620, 9620T, 9630, 9630T	60/4200-106A	RE199682	318x165x48mm	Activated carbon Carbón activado
	60/4200-254	R119168	315 x Ø 163mm	Fresh air filter Filtro de aire fresco
8100, 8100T, 8110, 8110T, 8120T, 8200, 8200T, 8210, 8210T, 8220T, 8230T, 8300, 8300T, 8310, 8310T, 8320T, 8330T, 8400, 8400T, 8410, 8410T, 8420T, 8430T, 8520T	60/4200-255	RE67828	315 x Ø 163mm	High performance Alto rendimiento
	60/4200-256A	RE219782	315 x Ø 163mm	Activated carbon Carbón activado
Vigneron , Vineyard, Fruitier , Narrow (Cab Brieda Cabina)	60/4200-38A	NC	580x180x60mm	Fresh air filter Filtro a aire fresco Activated carbon Carbón activado

Part numbers are quoted for reference purposes only.  
 Our parts and accessories are not original.

**"THE RELIABLE SERVICE"**

Las referencias originales tienen un propósito identificativo. Nuestras piezas no son originales.

**CAB FILTER**  
**FILTROS AIRE DE CABINA**



Ref. Ref.	L x l x H	Ref. Ref.	L x l x H Ø x H
60/4200-18	475x123x57mm	60/4200-241	590x135x88mm
60/4200-38A	580x180x60mm	60/4200-242A	60/4200-203A x1+ 60/4200-204A x1+60/4200-240A x2
60/4200-103	390x126x30mm	60/4200-243	GL:150 x PL:100 L:190 Ep:34 mm
60/4200-103A	390x126x30mm	60/4200-244	710x190x55mm
60/4200-104	305x105x30mm	60/4200-245	707x190x70mm
60/4200-104A	305x105x30mm	60/4200-246	230x180x45mm
60/4200-106	318x165x48mm	60/4200-247A	300 x Ø 200mm
60/4200-106A	318x165x48mm	60/4200-248	228x180x45mm
60/4200-108	198x140x40mm	60/4200-249A	225x180x45mm
60/4200-108A	198x140x40mm	60/4200-252	313 x Ø 173mm
60/4200-122	211x211x40mm	60/4200-254	
60/4200-203A		60/4200-255	315 x Ø 163mm
60/4200-204A	205x165x35mm	60/4200-256A	
60/4200-221A	711x190x55mm	60/4200-257	320x165x47mm
60/4200-240	575x120x85mm	60/4200-260	305 x Ø 172mm
60/4200-240A	575x120x85mm	60/4200-295	500x144x57mm

Part numbers are quoted for reference purposes only.  
 Our parts and accessories are not original.

**"THE RELIABLE SERVICE"**

Las referencias originales tienen un propósito identificativo. Nuestras piezas no son originales.

**CROSS REFERENCES**  
**REFERENCIAS ORIGINALES CRUZADAS**

OEM OEM	Ref. Ref.	Page Página	OEM OEM	Ref. Ref.	Page Página	OEM OEM	Ref. Ref.	Page Página	OEM OEM	Ref. Ref.	Page Página
20494	26/117-289	159	AL112300	26/135-3	204	AL19875	26/105-5	144-150	AL58489	60/655-14	264, 265, 267, 268
26993	26/117-46	157-159	AL112936	60/641-30	272-276	AL23213	26/6099-3	146	AL58238	26/151-20	206, 211
27333	26/117-44	157-159	AL113086	26/105-50	145-151	AL24115	26/150-65	211	AL58239	26/107-43	154, 155
26480	26/117-233	157, 158, 161	AL113087	26/105-51	145-151	AL24155	26/107-41	154, 155	AL58240	26/107-42	154, 155
28481	26/117-233	157, 158, 161	AL113475	60/641-256	272, 273, 275	AL24219	26/6099-1	144	AL58242	26/107-43	154, 155
28484	26/117-47	157-159, 161	AL115002	26/150-75	209	AL24482	26/6099-2	144, 146	AL58243	26/107-42	154, 155
28485	26/117-47	157-159, 161	AL115003	26/150-178	212, 213	AL24784	26/107-42	154, 155	AL58244	26/107-43	154, 155
29278	26/117-48	157-159, 161	AL115004	26/150-179	212, 213, 214	AL24786	26/107-42	154, 155	AL58245	26/107-42	154, 155
29279	26/117-46	157-159, 161	AL115625	60/4200-240	284	AL25220	26/107-42	154, 155	AL58246	26/107-43	154, 155
32261	26/117-133	157-161	AL115730	26/150-161	213, 214	AL25221	26/107-42	154, 155	AL58247	26/107-42	154, 155
32262	26/117-133	157-161	AL115731	26/150-75	209	AL25222	26/107-42	154, 155	AL58248	26/107-42	154, 155
33294	26/117-241	157	AL115732	26/150-69	215	AL25223	26/107-43	154, 155	AL58249	26/107-43	154, 155
33235	26/117-241	157	AL115733	26/150-178	212, 213	AL25255	26/150-38	206, 208	AL58258	26/107-43	154, 155
35541	26/117-245	157	AL115734	26/150-179	212, 213, 214	AL25554	60/240-1	260-265	AL58258	26/107-42	154, 155
35542	26/117-244	157	AL116613	26/150-179	212, 213, 214	AL27156	60/161-9	225, 227-229	AL58730	60/162-35	232, 233, 235
36011	26/117-250	158	AL116614	26/150-178	212, 213	AL27159	60/162-8	223-229, 231, 232, 234, 235, 237	AL58694	26/151-84	206-209, 212
36210	26/117-240	157	AL116668	26/150-69	215				AL59532	26/150-103	207
36211	26/117-240	157	AL118036	60/641-29	272-276, 278, 279	AL27160	60/162-9	227, 229	AL59533	26/150-169	206
36491	26/117-243	157				AL27161	60/162-365	227, 228	AL60502	26/172-117	144
36497	26/117-239	157	AL118321	60/240-108	273-279	AL27166	60/162-365	227, 228	AL61314	26/152-6	206-209, 212
36414	26/117-243	157	AL118496	26/150-180	213	AL28976	26/107-42	154, 155	AL61764	60/162-31	233, 235, 238
38415	26/117-237	159, 161	AL118499	26/150-181	213, 214	AL28977	26/107-43	154, 155	AL63554	26/172-116	147, 149, 150
38416	26/117-237	159, 161	AL118571	26/150-180	213	AL29847	26/172-111	146	AL65051	60/161-357	231, 232, 234, 235
1854050	26/60-5	126-128	AL118572	26/150-181	213, 214	AL30394	60/161-10	229, 230, 232, 233	AL68786	26/150-70	212
1854102	26/60-8	126, 127	AL118774	26/150-75	209				AL66774	26/150-104	208, 209
1854108	26/60-7	126-129	AL118775	26/150-182	212, 213	AL30395	60/162-10	229, 230, 232, 233	AL67195	60/162-35	232, 233, 235
38012424	26/6119-4	163	AL119095	60/4200-241	284				AL67196	60/162-31	233, 235, 238
0433171144	26/117-265	160-162	AL119096	60/4200-240	284	AL30844	26/107-43	154, 155	AL67562	26/150-169	206
0433171291	26/117-273	162	AL119839	60/161-178	244-248, 250-252	AL31037	26/6099-10	146, 147	AL67563	26/150-103	207
0433171386	26/117-274	162				AL31237	26/150-36	208, 209	AL67975	60/100-67	137, 231-235
0433171457	26/117-275	162	AL120032	26/107-42	154, 155	AL31238	26/150-64	211	AL68201	26/172-15	148, 147
0433171458	26/117-271	162	AL120033	26/107-43	154, 155	AL31274	26/105-9	144-150	AL71259	60/4200-243	284
0433271274	26/117-261	160, 161	AL120054	26/107-42	154, 155	AL31413	60/240-261	264-268	AL75555	60/4200-240	284
0433271267	26/117-263	160, 161	AL120055	26/107-43	154, 155	AL31503	26/150-63	206, 207	AL76661	26/151-82	209, 210, 212-215
0433271806	26/117-253	159	AL150285	60/161-179	246-248, 250-252	AL31639	60/240-200	260-265, 267-269	AL78882	26/152-11	209, 210, 212-214
0433271815	26/117-267	161-163				AL31683	26/107-42	154, 155	AL31684	26/107-43	154, 155
0433271864	26/117-143	159, 160	AL150288	60/162-178	244-248, 250-252	AL31685	26/107-42	154, 155	AL31686	26/107-43	154, 155
0433271878	26/117-252	160				AL31687	26/107-42	154, 155	AL31688	26/107-43	154, 155
0433271883	26/117-142	159, 160	AL151235	60/240-108	273-279	AL31689	26/107-43	154, 155	AL31697	26/107-42	154, 155
0433271890	26/117-277	163	AL153517	60/111-97	137, 250, 251	AL31697	26/107-43	154, 155	AL31698	26/107-43	154, 155
0433271895	26/117-141	161, 162	AL155607	26/100-115	138-141	AL31698	26/107-43	154, 155	AL33497	26/172-113	144
0433271898	26/117-264	160	AL155781	26/152-12	210, 211, 213, 215	AL33498	26/172-15	148, 147	AL33498	26/172-15	148, 147
0934000740	26/117-141	161, 162				AL34676	26/105-9	144-150	AL35852	26/6099-10	146, 147
0934000870	26/117-142	159, 160	AL156287	26/150-175	210	AL35852	26/6099-10	146, 147	AL36900	26/107-42	154, 155
0934000880	26/117-264	160	AL156288	26/150-163	213	AL36900	26/107-42	154, 155	AL36901	26/107-42	154, 155
0934001380	26/117-267	161-163	AL156624	60/240-107	273, 275-279	AL36902	26/107-42	154, 155	AL36903	26/107-42	154, 155
0934006150	26/117-260	160-162	AL156625	60/641-247	264-268, 272-281	AL36905	26/107-43	154, 155	AL36907	26/107-43	154, 155
0934006160	26/117-258	160, 162				AL36909	26/107-43	154, 155	AL36910	26/107-42	154, 155
0934006170	26/117-276	162	AL157248	26/150-175	210	AL36910	26/107-42	154, 155	AL36911	26/107-43	154, 155
0934006620	26/117-272	162	AL157249	26/150-183	213	AL36919	26/107-42	154, 155	AL36920	26/107-42	154, 155
20495	26/117-262	160	AL158965	60/4200-242A	284	AL36921	26/107-43	154, 155	AL36922	26/107-42	154, 155
26H72	26/1-23C	21	AL158991	60/4200-242A	284	AL36923	26/107-42	154, 155	AL36924	26/107-42	154, 155
51M7016	26/6088-28	93, 96-98, 100	AL160771	60/641-31	273, 274, 276, 278, 279	AL36924	26/107-42	154, 155	AL36925	26/107-42	154, 155
51M7045	26/6088-20	91, 94, 95, 97-100				AL36926	26/107-42	154, 155	AL36927	26/107-42	154, 155
			AL161424	26/150-183	213	AL36928	26/107-42	154, 155	AL36929	26/107-42	154, 155
A4827R	26/6088-28	93, 96-98, 100	AL161823	26/150-175	210	AL36931	26/107-42	154, 155	AL36932	26/107-42	154, 155
AE31723	60/161-8	223-229, 231, 232, 234, 237	AL163357	26/150-175	210	AL36934	26/107-42	154, 155	AL36935	26/107-42	154, 155
			AL163358	26/150-183	213	AL36937	26/107-42	154, 155	AL36938	26/107-42	154, 155
AE31724	60/162-8	223-229, 231, 232, 234, 235, 237	AL16817	26/107-42	154, 155	AL36941	26/107-42	154, 155	AL36942	26/107-42	154, 155
			AL168483	26/100-129	138-141	AL36943	26/107-42	154, 155	AL36944	26/107-42	154, 155
			AL168726	26/150-175	210	AL36945	26/6099-10	146, 147	AL36946	26/150-64	211
AH107382	26/100-130	138	AL168727	26/150-183	213	AL36947	26/150-36	208, 209	AL36948	26/172-113	144
AH130127	26/100-130	138	AL169573	60/641-258	274, 277, 279	AL36949	26/172-113	144	AL36950	26/172-113	144
AH19848	60/161-350	223, 224	AL171434	26/100-128	138-141	AL36951	26/172-113	144	AL36952	26/172-113	144
AH19852	60/161-7	223-229, 231, 238	AL171542	26/150-175	210	AL36953	26/172-113	144	AL36954	26/172-113	144
			AL171543	26/150-183	213	AL36955	26/150-63	206, 207	AL36956	26/151-10	206-209, 211, 212
AH75548	26/100-130	138	AL17255	60/161-7	223-229, 231, 238	AL36957	26/107-42	154, 155	AL36958	26/107-42	154, 155
AH80865	26/100-130	138				AL36959	26/107-42	154, 155	AL36960	26/107-42	154, 155
ASJ52379	26/100-29	130-133	AL172780	60/161-178	244-248, 250-252	AL36961	26/6099-10	146, 147	AL36962	26/6099-10	146, 147
AL110419	26/150-179	212, 213, 214				AL36963	26/107-42	154, 155	AL36964	26/107-42	154, 155
AL110621	26/135-7	204	AL172781	60/161-179	246-248, 250-252	AL36965	26/107-42	154, 155	AL36966	26/107-42	154, 155
AL110863	26/150-75	209				AL36967	26/107-42	154, 155	AL36968	26/107-42	154, 155
AL110979	26/152-11	209, 210, 212-214	AL176361	26/150-175	210	AL36969	26/107-42	154, 155	AL36970	26/107-42	154, 155
			AL176362	26/150-183	213	AL36971	26/150-63	206, 207	AL36972	26/172-118	147, 149, 150
AL110996	26/150-69	215	AL176542	26/150-66	208	AL41325	26/107-42	154, 155	AL41326	26/107-42	154, 155
AL111000	26/150-179	212, 213, 214	AL177164	60/4200-241	284	AL41337	26/107-43	154, 155	AL41338	26/107-43	154, 155
AL111629	26/150-178	212, 213	AL177185	60/4200-240	284	AL41630	26/172-15	148, 147	AL41631	26/172-15	148, 147
AL111748	60/4200-240	284	AL18156	26/172-6	144, 146, 147, 149	AL56372	26/150-66	208	AL56373	26/150-66	208
AL112299	26/135-3	204				AL56375	26/150-67	211	AL56376	26/150-67	211



## CROSS REFERENCES REFERENCIAS ORIGINALES CRUZADAS

OEM OEM	Ref. Ref.	Page Página	OEM OEM	Ref. Ref.	Page Página	OEM OEM	Ref. Ref.	Page Página	OEM OEM	Ref. Ref.	Page Página
AR100960	26/31-319	54, 57	AR39811	26/117-289	159	+AR77757(X1)			AR61344	26/130-41	164-166
AR101038	26/117-142	159, 160	AR40155	26/37-311	50, 53	AR49247	26/7-121C	23	AR61351	26/93-3	109
AR101039	26/117-264	160	AR40259	26/100-121	130-134	AR49247(X4)	26/2-121C	22	AR61352	26/93-1	109
AR101101	26/70-43	81	AR40487	26/1-51	17, 19, 20	+AR77758(X1)			AR61420	26/130-324	170, 171
AR101278	60/97-17	227, 231, 233, 236, 248, 249, 252-254	AR40508	26/100-122	132, 134	AR49247(X8)	26/2-122C	22	AR61538	26/143-12	175-180
			AR41583	26/34-311	80, 53	+R77758(X1)			AR61903	60/4200-244	283
			AR41691	26/131-21	164-167	AR49307	26/117-262	160	AR61967	60/161-37	225, 227, 230, 232, 235
AR102261	26/74-40	80	AR43634	60/97-20	225, 227, 230, 231, 233	AR49650	26/13-51	25, 27, 28			
AR102263	26/71-44	84				AR49770	26/100-121	130-134	AR61968	60/162-37	225, 227, 228, 233, 235
AR102264	26/71-45	84, 86	AR40341	60/161-353	225	AR49771	26/100-126	134			
AR102265	26/70-45	84, 86	AR44077	60/111-274	223-225	AR49839	60/161-37	225, 227, 230, 233, 235	AR61988	60/162-242	225
AR102267	26/71-45	84, 86	AR44379	26/130-312	167, 169				AR62362	26/1-95	21
AR102268	26/70-45	84, 86	AR44508	26/117-289	159	AR49840	60/162-37	225, 227, 228, 233, 235	AR62548	26/130-308	166
AR102278	26/70-153	86	AR44625	26/7-51	14, 15, 17, 19, 20, 23				AR62578	26/90-29B	107
AR102279	26/70-65	84				AR49886	60/4200-244	283	AR62979	26/90-29A	107
AR102280	26/71-45	84, 86	AR44625(X4)	26/2-108	14, 15, 22	AR50041	60/111-12	223-235	AR63037	26/90-89A	107
AR102283	26/71-45	84, 86	+AR72998(X1)			AR50136	26/1-51	17, 19, 20	AR63036	26/90-89B	107
AR102287	26/70-44	84	AR44625(X8)	26/2-51	17, 19, 20, 22	AR50624	26/33-314	53, 55	AR63039	26/93-5	109, 110
AR102290	26/70-41	80	+AR72998(X1)			AR50781	26/117-289	159	AR63040	26/93-6	109, 110
AR102291	26/70-40	80	AR44774	60/161-352	225	AR50783	26/117-289	159	AR63060	26/35-155	53, 54, 56, 57
AR102293	26/71-41	80	AR44963	26/130-318	169	AR51431	60/161-354	225	AR63095	26/13-51	25, 27, 28
AR102295	26/71-40	80	AR44977	26/117-289	159	AR51741	26/34-154	53, 55	AR63103	26/80-6	126, 127
AR102297	26/71-41	80	AR45097	60/111-275	224, 225	AR51796	26/7101-13	156	AR63105	26/80-7	126-129
AR102298	26/70-41	80	AR45098	60/111-275	224, 225	AR51798	26/31-314	53, 55	AR63269	26/70-158	85, 87
AR102302	26/71-45	84, 86	AR45218	26/7-121A	23	AR51799	26/33-313	50, 53	AR63270	26/71-158	85, 87
AR102678	26/100-21	130-133	AR45218(X4)	26/2-121A	22	AR51902	26/35-45	46, 48, 52	AR63272	26/31-154	53, 55
AR103220	60/111-277	157, 233-236, 248-251	AR45218(X6)	26/2-122A	22	AR51903	26/35-47	46, 49	AR63342	26/33-315	50
			AR45332	26/130-312	167, 169	AR52014	26/117-262	160	AR63343	26/130-311	167
			AR45340	26/130-318	169	AR52159	26/100-121	130-134	AR63831	26/100-150	136
AR103384	26/71-43	81	AR45723	26/9-51	14, 15, 17, 19, 23, 38, 41-43	AR52423	26/130-298	164, 166	AR63938	26/70-154	85
AR103456	26/70-43	81				AR52729	26/100-121	130-134	AR63940	26/71-154	85
AR103818	26/107-41	154, 158				AR53032	26/71-208	81	AR64415	26/6097-1	111, 112, 114-120
AR105419	26/100-135	136	AR45723(X4)	26/3-108	14, 15, 22, 38	AR53033	26/70-208	81			
AR12069	60/240-2	260-268	AR45723(X6)	26/3-51	17, 19, 22, 41	AR53034	26/71-209	81	AR65260	26/130-298	164, 166
AR20072R	60/240-2	260-268				AR53035	26/70-209	81	AR65262	26/130-297	164, 166
AR26326	26/25-95	38, 41	AR46396	26/9-51A	42	AR53094	26/71-214	85, 87	AR65440	26/61-1	126-129
AR26350	60/97-256	223-225, 227	AR46396(X4)	26/3-108A	22	AR53095	26/71-214	85, 87	AR65502	26/34-152	53
AR26382	26/145-20	203	AR46396(X6)	26/3-51A	22	AR53369	26/70-41	80	AR65507	26/37-5	46-56
AR26435	26/103-7	144-151	AR46397	26/9-51B	23	AR53371	26/70-43	81	AR65602	26/31-152	53
AR26438	26/13-51	25, 27, 28	AR46397(X4)	26/3-108B	22	AR53567	26/100-122	132, 134	AR65715	26/150-38	206, 208
AR27261(X6)	26/2-122	17, 22	AR46397(X6)	26/3-51B	22	AR53568	26/100-122	132, 134	AR65796	26/107-48	155
AR27264(X4)	26/2-121B	22	AR46398	26/9-51C	23	AR53625	26/71-212	84	AR67074	26/90-29	102, 103, 105, 107
AR27264(X6)	26/2-122B	22	AR46398(X4)	26/3-108C	22	AR53626	26/70-212	84			
AR27621	26/7-121	14, 23	AR46398(X6)	26/3-51C	22	AR53630	26/71-213	84	AR67077	26/90-29	102, 103, 105, 107
AR27621(X4)	26/2-121	14, 22	AR46400	26/7-51A	23	AR53631	26/70-213	84			
AR27621(X6)	26/7-121B	23	AR46400(X4)	26/2-108A	22	AR53632	26/70-213	84	AR67452	26/130-41	164-166
AR27626	26/7-121C	23	+AR73272(X1)			AR53633	26/71-214	85, 87	AR67942	26/11-14	21, 24-27
AR27626(X4)	26/2-121C	22	AR46400(X6)	26/2-51A	22	AR54336	60/161-11	227, 230, 233	AR68094	26/1-51	17, 19, 20
AR27626(X6)	26/2-122C	22	+AR73272(X1)			AR54337	60/162-11	227, 230, 233	AR68188	26/33-150	80, 81, 54
AR27628	26/9-51	14, 15, 17, 19, 23, 38, 41-43	AR46401	26/7-51B	23	AR54404	60/161-242	225	AR68316	26/70-150	81
			AR46401(X4)	26/2-108B	22	AR54552	26/33-154	53, 55	AR68364	26/117-46	157-159
AR27628(X4)	26/3-108	14, 15, 22, 38	+AR73273(X1)			AR54576	26/130-324	170, 171	AR68414	26/9-65A	23
AR27628(X6)	26/3-51	17, 19, 22, 41, 42	AR46401(X6)	26/2-51B	22	AR55094	26/130-41	164-166	AR68414(X4)	26/3-110A	22
			+AR73273(X1)			AR55094	26/130-41	164-166	AR68414(X6)	26/3-111A	22
AR27640	26/9-51B	23	AR46402	26/7-51C	23	AR55391	26/6097-13	123, 124	AR68415	26/9-65B	23
AR27640(X4)	26/3-108B	22	AR46402(X4)	26/2-108C	22	AR55617	26/131-51	167, 169	AR68415(X4)	26/3-110B	22
AR27640(X6)	26/3-51B	22	+AR73274(X1)			AR55619	26/131-50	169	AR68415(X6)	26/3-111B	22
AR27642	26/9-51C	23	AR46402(X6)	26/2-51C	22	AR55620	26/131-323	170, 171	AR68416	26/9-65C	23
AR27642(X4)	26/3-108C	22	+AR73274(X1)			AR55624	26/34-311	50, 53	AR68418(X4)	26/3-110C	22
AR27642(X6)	26/3-51C	22	AR46481	60/161-351	224	AR55630	26/100-121	130-134	AR68416(X6)	26/3-111C	22
AR27933	26/130-312	167, 169	AR46646	26/117-289	159	AR55730	26/34-46	46, 48, 49, 52	AR69096	26/9-65	23
AR28072T	60/240-2	260-268	AR48219	26/7101-13	156	AR55759	26/34-48	46, 49, 52	AR69098(X4)	26/3-110	14-16, 21, 22, 38, 39
AR28110	60/97-256	223-225, 227	AR48675	26/143-14	160-188	AR55961	26/130-209	169			
AR28271R	60/240-2	260-268	AR48687	26/37-313	50, 53	AR55978	26/25-10	36, 38, 39, 41			
AR28482	26/151-87	208	AR49025	26/11-51	25-28	AR55980	26/33-51	46, 47, 49, 50, 52	AR69710	26/93-5	109, 110
AR28483	26/105-5	144-150	AR49226	26/117-289	159				AR69711	26/93-6	109, 110
AR28611	60/111-274	223-225	AR49243	26/7-121	14, 23				AR70106	60/161-152	227, 230, 231, 234, 236
AR30382	26/13-51	25, 27, 28	AR49243(X4)	26/2-121	14, 22	AR55984	26/33-49	46, 49, 52	AR70107	60/162-152	227, 230, 231, 234, 236
AR31264	26/130-312	167, 169	+AR77754(X1)			AR56289	26/117-44	157-159			
AR31895	26/130-312	167, 169	AR49243(X6)	26/2-122	17, 22	AR56290	26/117-44	157-159			
AR32508	26/103-7	144-151	+AR77754(X1)			AR57024	60/161-355	227			
AR33926	60/111-275	224, 225	AR49245	26/7-121A	23	AR57025	60/162-355	227	AR70506	60/240-260	260-265, 267-269
AR34415	26/100-29	130-133	AR49245(X4)	26/2-121A	22	AR57264	26/100-125	134			
AR34421	26/117-289	159	+AR77756(X1)			AR58704	26/33-154	53, 55	AR70633	26/34-46	46, 48, 49, 52
AR34682	26/13-51	25, 27, 28	AR49245(X6)	26/2-122A	22	AR58812	26/100-135	136	AR70636	60/240-3	263, 265, 267-269
AR34856	26/130-312	167, 169	+AR77756(X1)			AR58956	60/97-7	240			
AR38695	26/105-5	144-150	AR49246	26/7-121B	23	AR59419	26/25-95	38, 41	AR70645	26/37-313	60, 53
AR39798	60/161-62	223-225, 256, 258	AR49246(X4)	26/2-121B	22	AR59621	26/87-7	102, 105	AR70661	26/130-210	170, 171
			+AR77757(X1)			AR60701	26/87-6	102, 103	AR70910	2	

## CROSS REFERENCES REFERENCIAS ORIGINALES CRUZADAS

OEM	Ref.	Page	OEM	Ref.	Page	OEM	Ref.	Page	OEM	Ref.	Page
OEM	Ref.	Página	OEM	Ref.	Página	OEM	Ref.	Página	OEM	Ref.	Página
AR71068	26/25-90	36, 38, 39, 41, 42	AR74816(X4)	26/2-108A	22	AR77914	26/100-29	130-133	AR87753	26/34-153	53
AR71080	26/9-12	13-18, 23, 36-39, 41, 42	+AR77750(X1)			AR78031	26/117-46	157-159	AR88236	26/117-44	157-159
AR71060(X3)	26/3-12	13, 21, 22, 36, 37	AR74816(X6)	26/2-51A	22	AR78041	26/31-49	46, 49, 52	AR88238	26/117-46	157-159
AR71080(X4)	26/3-14	14-16	+AR77750(X1)			AR78192	26/88-23	92, 93, 101	AR88239	26/117-44	157-159
AR71080(X6)	26/3-16	17	AR74817(X4)	26/7-51B	23	AR78310	26/33-48	46, 49, 52	AR88240	26/117-46	157-159
AR71591	26/31-46	46, 49, 52	+AR77751(X1)	26/2-108B	22	AR79450	26/150-177	212	AR88241	26/117-46	157-159
AR71592	26/31-49	46, 49, 52	AR74817(X6)	26/2-51B	22	AR79451	26/150-177	212	AR88276	60/111-255	227, 231, 234, 236
AR71593	26/31-48	46, 49, 52	+AR77751(X1)			AR79463	26/90-92	103, 105, 107			
AR71596	26/31-315	50	AR74818(X4)	26/7-51C	23	AR79464	26/90-92	103, 105, 107	AR88548	26/117-141	161, 162
AR71617	26/37-2	46, 49, 52	+AR77752(X1)	26/2-108C	22	AR79465	26/90-89	103, 105, 107	AR89922	26/100-135	136
AR71618	26/37-4	46, 49, 52	AR74818(X6)	26/2-51C	22	AR79679	60/161-37	225, 227, 230, 233, 235	AR89009	26/70-158	85, 87
AR71990	26/71-41	80	+AR77752(X1)			AR79680	60/162-37	226, 227, 228, 233, 235	AR89379	60/111-255	227, 231, 234, 236
AR71992	26/71-43	81	AR75601	60/240-2	260-268	AR79685	26/117-252	160			
AR71994	26/71-45	84, 86	AR75603	60/240-2	260-268	AR79688	26/33-51	46, 47, 49, 50, 52	AR89563	26/117-44	157-159
AR71996	26/70-41	80	AR76030	26/100-29	130-133				AR89564	26/117-44	157-159
AR71998	26/70-43	81	AR76129	26/9-12A	23	AR79882	26/130-195	169	AR89716	26/130-210	170, 171
AR72001	26/70-55	84	AR76129(X3)	26/3-12A	13, 21, 22, 36, 37	AR79920	26/71-40	80	AR89753	26/31-51	46, 47, 49, 50, 52
AR72036	26/144-559	108				AR79921	26/70-41	80			
AR72077	26/70-155	85, 87	AR76129(X4)	26/3-14A	22	AR79923	26/70-43	81	AR89955	26/100-135	136
AR72078	26/71-165	85, 87	AR76129(X6)	26/3-16A	22	AR79924	26/70-151	81	AR89956	26/100-131	136
AR72079	26/31-155	54, 57	AR76130	26/9-12B	23	AR79925	26/71-45	84, 86	AR89986	26/31-53	47, 49, 50, 53, 55
AR72868	26/6099-2	144, 146	AR76130(X3)	26/3-12B	13, 21, 22, 36, 37	AR79927	26/70-55	84			
AR72910	26/6099-1	144				AR79928	26/70-45	84, 86	AR90023	26/117-46	157-159
AR72951	26/6099-3	146	AR76130(X4)	26/3-14B	22	AR79941	60/161-11	227, 230, 233	AR90024	26/117-46	157-159
AR72988	26/8-51	14, 15, 17, 19, 20, 23, 25, 27, 28	AR76130(X6)	26/3-16B	22	AR79942	60/162-11	227, 230, 233	AR90340	26/1101-13	156
			AR76131	26/9-12C	23	AR80652	60/161-150	230, 233, 235	AR90550	26/31-50	46, 48, 52
			AR76131(X3)	26/3-12C	13, 21, 22, 36, 37	AR80653	60/162-150	230, 233, 235	AR90551	26/31-51	46, 47, 49, 50, 52
AR72988(X1)	26/2-108	14, 15, 22	AR76131(X4)	26/3-14C	22	AR81313	60/162-355	227			
+AR44625(X4)			AR76131(X6)	26/3-16C	22	AR81553	26/107-42	154, 155	AR90738	26/150-177	212
AR72988(X1)	26/2-51	17, 19, 20, 22	AR76819	26/151-89	212	AR81785	26/71-45	84, 86	AR91660	26/82-5	88, 89
+AR44625(X6)			AR76870	26/130-308	166	AR81786	26/8-15	23	AR92416	26/130-51P	164, 165
AR73272	26/8-51A	23	AR77678	26/107-46	155	AR81788(X1)	26/2-120	13, 21, 22	AR92417	26/130-51P	164, 165
AR73272(X1)	26/2-108A	22	AR77747	26/9-51	14, 15, 17, 19, 20	+AT21140(X3)	26/2-17	17, 18, 22	AR92418	26/130-309	167
+AR46400(X4)						AR81786(X1)	+AT21140(X6)		AR92479	26/31-53	47, 49, 50, 53, 55
AR73272(X1)	26/2-51A	22	AR77748	26/8-51	14, 15, 17, 19, 20, 23, 25, 27, 28	AR81788	26/8-15A	23	AR92641	26/130-316	169
+AR46400(X6)						AR81788(X1)	26/2-120A	22	AR92776	26/100-29	130-133
AR73273	26/8-51B	23	AR77748(X1)	26/2-108	14, 15, 22	+AT21110(X3)	26/2-17A	22	AR92777	26/100-29	130-133
AR73273(X1)	26/2-108B	22	+AR74814(X4)	26/2-51	17, 19, 20, 22	AR81788(X1)	26/2-17A	22	AR92893	26/13-11	24-26
+AR46401(X4)			AR77748(X1)	26/2-108	14, 15, 22	+AT21110(X6)			AR92903	26/130-51	164, 165, 167
AR73273(X1)	26/2-51B	22	AR77748(X1)	26/2-108	14, 15, 22	AR81789	26/8-15B	23	AR93517	26/130-325	170, 171
+AR46401(X6)			+AR74814(X6)	26/8-51A	23	AR81789(X1)	26/2-120B	22	AR93529	60/97-17	227, 231, 233-236, 248, 249, 252-254
AR73274	26/8-51C	23	AR77750	26/8-51A	23	+AT21112(X3)	26/2-17B	22			
AR73274(X1)	26/2-108C	22	AR77750(X1)	26/2-108A	22	AR81789(X1)	26/2-17B	22	AR93627	26/23-155	54, 57
+AR46402(X4)			+AR74816(X4)	26/2-51A	22	+AT21112(X6)			AR93629	26/33-155	54, 57
AR73274(X1)	26/2-51C	22	AR77750(X1)	26/2-51A	22	AR81790	26/8-15C	23	AR94126	26/81-1	126-129
+AR46402(X6)			+AR74816(X6)	26/8-51B	23	AR81790(X1)	26/2-120C	22	AR94510	60/240-3	263, 265, 267-269
AR73275	26/6-51	14, 15, 17, 19, 20	AR77751	26/8-51B	23	+AT21114(X3)	26/2-17C	22	AR94650	60/111-255	227, 231, 234, 236
			AR77751(X1)	26/2-108B	22	AR81790(X1)	+AT21114(X6)				
AR73276	26/8-52	23	+AR74817(X4)	26/2-51B	22	AR81791	26/8-11	13-18			
AR73277	26/8-52	23	AR77751(X1)	26/2-51B	22	AR82266	26/31-48	46, 49, 52	AR94652	60/111-255	227, 231, 234, 236
AR73277(X6)	26/3-52	17, 19, 20	+AR74817(X6)	26/8-51C	23	AR82915	60/161-355	227			
AR73279	26/9-52A	23	AR77752	26/8-51C	23	AR83610	26/31-153	53	AR95758	60/161-246	234, 236, 237
AR73279(X6)	26/3-52A	22	AR77752(X1)	26/2-108C	22	AR84165	26/130-210	170, 171	AR95759	60/162-246	234, 236, 237
AR73280	26/9-52B	23	+AR74818(X4)	26/2-51C	22	AR84228	60/161-8	223, 229, 231, 232, 234, 237	AR95932	26/6-11	13-18
AR73280(X6)	26/3-52B	22	AR77752(X1)	26/2-51C	22				AR96189	26/6-12	13-18
AR73281	26/9-52C	23	+AR74818(X6)	26/6-52	23	AR85249	26/130-308	166	AR96190	26/1-51	17, 19, 20
AR73281(X6)	26/3-52C	22	AR77753	26/8-121	14, 17, 23	AR85250	26/130-308	166	AR96191	26/90-191	104, 106
AR73627	26/34-155	54, 57	AR77754	26/2-121	14, 22	AR85629	26/33-153	53	AR96201	26/90-191	104, 106
AR73628	26/37-153	53, 54, 56, 57	AR77754(X1)	26/2-122	17, 22	AR85788	26/90-89B	107	AR96202	26/70-155	85, 87
AR73637	26/117-277	183	+AR49243(X4)			AR86745	60/111-27	227, 230, 231, 233-236, 248, 249, 252-254	AR97176	26/70-150	81
AR73638	26/117-141	161, 162	AR77754(X1)	26/2-122	17, 22				AR97178	26/70-43	81
AR73673	26/117-44	157-159	+AR49243(X6)			AR86755	60/111-29	227, 231, 233, 235, 236, 248	AR97180	26/70-45	84, 86
AR74021	26/86-27	96, 97, 100, 101	AR77756	26/8-121A	23				AR97187	26/70-41	80
			AR77756(X1)	26/2-121A	22	AR86888	26/117-143	159, 160	AR97190	26/70-41	80
AR74367	26/70-45	84, 88	+AR49245(X4)			AR86981	26/25-95	38, 41	AR97191	26/70-43	81
AR74624	26/1-51	17, 19, 20	AR77756(X1)	26/2-122A	22	AR87419	26/130-298	164, 166	AR97192	26/70-151	81
AR74662	26/144-150	198, 199, 202	+AR49245(X6)			AR87420	26/130-298	164, 166	AR97194	26/70-55	84
AR74667	26/117-264	160	AR77757	26/8-121B	23	AR87736	26/33-50	46, 49, 52	AR97195	26/70-45	84, 86
AR74668	26/117-142	159, 160	AR77757(X1)	26/2-121B	22	AR87738	26/33-51	46, 47, 49, 50, 52	AR97196	26/70-40	80
AR74814	26/7-51	14, 15, 17, 19, 20, 23	+AR49246(X4)			AR87738	26/33-51	46, 47, 49, 50, 52	AR97197	26/70-44	84
			AR77757(X1)	26/2-122B	22				AR97199	26/70-42	81
AR74814(X4)	26/2-108	14, 15, 22	+AR49246(X6)			AR87748	26/33-53	47, 49, 50, 53-55, 58	AR97517	26/9-65	23
+AR77748(X1)			AR77758	26/8-121C	23				AR97517(X4)	26/3-110	14-16, 21, 22, 38, 39
AR74814(X6)	26/2-51	17, 19, 20, 22	AR77758(X1)	26/2-121C	22						
+AR77748(X1)			+AR49247(X4)			AR87750	26/70-157	85			
AR74816	26/7-51A	23	AR77762	26/33-49	46, 49, 52	AR87751	26/71-157	85			

Part numbers are quoted for reference purposes only.  
Our parts and accessories are not original.

**"THE RELIABLE SERVICE"**

Las referencias originales tienen un propósito identificativo. Nuestras piezas no son originales.

## CROSS REFERENCES REFERENCIAS ORIGINALES CRUZADAS

OEM DEM	Ref. Ref.	Page Página	OEM DEM	Ref. Ref.	Page Página	OEM DEM	Ref. Ref.	Page Página	OEM DEM	Ref. Ref.	Page Página
AR97517(X6)	26/3-111	18, 21, 22, 42	AT21110	26/7-12A	23	AT21139	26/8-12	13-18, 23	AT29619	26/130-41P	164-166
AR97653	26/9-65A	23	AT21110(X3)+	26/2-120A	22	AT21139(x1)	26/2-12	13-19, 21, 23,	AT29620	26/130-297	164, 166
AR97653(X4)	26/3-110A	22	AR81788(X1)			+AT21140(X3)		36-39, 41, 42	AT30137	26/70-55	84
AR97653(X6)	26/3-111A	22	AT21110(X3)	26/2-12A	22	AT21139(x1)	26/2-14	14-16, 22	AT30299	26/117-44	157-159
AR97654	26/9-65B	23	+AT21132(x1)			+AT21140(x4)			AT31250	26/50-3	72, 73, 75-79
AR97654(X4)	26/3-110B	22	AT21110(x4)	26/2-14A	22	AT21139(X1)	26/2-16	17, 18, 21, 22	AT31336	26/107-42	154, 155
AR97654(X6)	26/3-111B	22	+AT21132(x1)			+AT21140(X6)			AT31619	26/172-6	144, 146, 147, 149
AR97655	26/9-65C	23	AT21110(X4)	26/2-15A	22	AT21139(X1)	26/2-16	17, 18, 21, 22			
AR97655(X4)	26/3-110C	22	+AT81788(X1)			+R827382(X6)			AT31627	26/80-5	126-128
AR97655(X6)	26/3-111C	22	AT21110(X8)	26/2-17A	22	AT21140	26/7-12	13-18, 23	AT31633	26/609-1	144
AR97704	26/130-296	164, 166	+AR81788(X1)			AT21140(X3)	26/2-120	13, 21, 22	AT31635	26/609-2	144, 146
AR97708	26/130-298	164, 166	AT21110(X6)	26/2-16A	22	+AR81786(X1)			AT32234(X1)	26/2-16B	22
AR97786	26/70-45	84, 86	+AT21132(X1)			AT21140(X3)	26/2-12	13-19, 21, 23,	+AT21112(X6)		
AR97881	26/130-210	170, 171	AT21112	26/7-12B	23	+AT21139(x1)	36-39, 41, 42		AT32489	26/131-21	164-167
AR98098	60/240-260	260-265, 267-269	AT21112(X3)	26/2-120B	22	AT21140(X4)	26/2-15	14-16, 22	AT32606	26/90-29	102, 103, 105, 107
			+AR81789(X1)			AT21140(x4)	26/2-14	14-16, 22			
AR98330	60/97-243	227, 231, 233, 236	AT21112(X3)	26/2-12B	22	+AT21139(x1)			AT33363	60/161-9	225, 227-229
			+AT21134(x1)			AT21140(X4)	26/2-15	14-16, 22	AT77587	60/111-254	237
AR9834	26/131-50	169	AT21112(x4)	26/2-14B	22	+AT81788(X1)			AT81788(X1)	26/2-15	14-16, 22
AR98547	26/130-324	170, 171	+AT21134(x1)			AT21140(X6)	26/2-17	17, 18, 22	+AT21140(X4)	26/2-15A	22
AR98549	26/130-209	169	AT21112(X4)	26/2-15B	22	+AR81786(X1)			AT81788(X1)	26/2-15B	22
AR98551	26/130-210	170, 171	+AT81789(X1)			AT21140(X6)	26/2-16	17, 18, 21, 22	+AT21110(X4)		
AR98552	26/130-210	170, 171	AT21112(X6)	26/2-17B	22	+AT21139(X1)			AT81788(X1)	26/2-15C	22
AR98564	26/131-50	169	+AR81789(X1)			AT21204	26/130-297	164, 166	+AT21112(X4)		
AR98568	26/131-323	170, 171	AT21112(X6)	26/2-18B	22	AT21206	26/130-41P	164-166	AT81790(X1)	26/2-15C	22
AR98638	26/33-325	54	+AT32234(X1)			AT21240	26/70-42	81	+AT21114(X4)		
AR98640	26/131-325	170, 171	AT21114	26/7-12C	23	AT21249	26/70-40	80	AZ20623	60/161-35	232, 233, 235, 244
AR98845	26/70-155	85, 87	AT21114(X3)	26/2-120C	22	AT21534	26/86-11	90, 92, 93, 96, 101	AZ30757	60/161-31	233, 235, 238
AR98847	26/31-317	53	+AR81790(X1)						AZ30758	60/162-31	233, 235, 238
AR98850	26/37-153	53, 54, 56, 57	AT21114(X3)	26/2-12C	22	AT21535	26/86-21	90, 91, 93, 94, 96-99, 101	AZ55541	60/162-154	243
AR98851	26/71-185	85, 87	AT211136(x1)						AZ55542	60/161-154	243
AR98852	26/6097-1	111, 112, 114-120	AT21114(x4)	26/2-14C	22	AT21600	26/11-14	21, 24-27	B1130	26/31-45	46, 48, 52
			+AT21136(x1)			AT21626	26/71-40	80	B1131	26/31-46	46, 49, 52
AR99341	26/90-191	104, 106	AT21114(X4)	26/2-15C	22	AT21627	26/71-42	81	B1132	26/31-47	46, 49
AR99342	26/90-191	104, 106	+AT81790(X1)			AT21760	26/117-44	157-159	B1133	26/31-48	46, 49, 52
AR99344	26/90-191	104, 106	AT21114(X6)	26/2-17C	22	AT21896	26/70-42	81	B1134	26/31-49	46, 49, 52
AR99406	60/240-240	267	+AR81790(X1)			AT21999	26/6099-1	144	B1135	26/31-50	46, 49, 52
AR99535	26/31-53	47, 49, 50, 53-55	AT21114(X6)	26/2-16C	22	AT22562	26/1-25	21	B1230	26/37-1	46, 48, 52
			+AT21136(X1)			AT22665	26/50-3	72, 73, 75-79	B1231	26/37-3	46, 49
AR99538	26/31-53	47, 49, 50, 53-55	AT21124	26/9-12A	23	AT22649	26/70-42	81	B2108	26/2-108	14, 15, 22
			AT21124(X3)	26/3-12A	13, 21, 22, 36, 37	AT22850	26/70-40	80	B2108A	26/2-108A	22
AR99661	60/240-240	267				AT22961	26/143-10	175-179, 181,	B2108B	26/2-108B	22
AT112393	60/641-246	269	AT21124(X4)	26/3-14A	22	AT22963	26/143-11	175, 176, 178, 179	B2108C	26/2-108C	22
AT13740	26/103-17	144-150	AT21124(X6)	26/3-16A	22				B2121	26/2-121A	22
AT13740	26/152-2	206-209, 211, 212, 214, 215	AT21126	26/9-12B	23	AT22965	26/13-11	24-26	B2121A	26/2-121A	22
			AT21126(X3)	26/3-12B	13, 21, 22, 36, 37	AT23200	26/70-42	81	B2121B	26/2-121B	22
AT15088	60/97-256	223-225, 227				AT23201	26/70-40	80	B2121C	26/2-121C	22
AT171853	60/161-174	239-243	AT21126(X4)	26/3-14B	22	AT23203	26/70-44	84	B2122	26/2-122	17, 22
AT171854	60/162-174	239-243	AT21126(X6)	26/3-16B	22	AT24013	26/143-11	175, 176, 178, 179	B2122A	26/2-122A	22
AT17387	60/111-3	223, 234, 236	AT21128	26/9-12C	23				B2122B	26/2-122B	22
AT18005	26/25-9	36, 38, 41	AT21128(X3)	26/3-12C	13, 21, 22, 36, 37	AT24252	26/82-6	88, 89	B2122C	26/2-122C	22
AT18006	26/34-46	46, 48, 49, 52				AT24833	26/144-558	198	B2127	26/2-127	19
AT18009	26/82-5	86, 89	AT21128(X4)	26/3-14C	22	AT24968	26/70-43	81	B2127A	26/2-127A	19
AT18012	26/34-46	46, 48, 49, 52	AT21128(X6)	26/3-16C	22	AT25038	26/6097-12	123, 124	B2127B	26/2-127B	19
AT18021	26/90-29	102, 103, 105, 107	AT21132	26/8-12A	23	AT25367	26/107-42	154, 155	B251	26/2-51A	17, 19, 20, 22
			AT21132(x1)	26/2-12A	22	AT25502	26/117-44	157-159	B251A	26/2-51A	22
AT18030	26/1-24	21	+AT21110(x3)			AT25562	26/117-44	157-159	B251C	26/2-51C	22
AT18031	26/1-23	21	AT21132(x1)	26/2-14A	22	AT26142	26/81-1	126-129	B282	26/2-82	15, 16, 22
AT18039	26/82-6	88, 89	+AT21110(x4)			AT26190	26/60-5	126-128	B282A	26/2-82A	22
AT18064	26/117-44	157-159	AT21132(X1)	26/2-16A	22	AT26373	26/145-19	203	B283	26/2-83	18, 22
AT18078	26/130-297	164, 166	+AT21110(X6)			AT26474	26/150-65	211	B283A	26/2-83A	22
AT18129	26/50-3	72, 73, 75-79	AT21134	26/8-12B	23	AT26708	26/130-297	164, 166	B289	26/2-89	19, 22
AT18155	26/93-4	109	AT21134(x1)	26/2-12B	22	AT27018	26/130-41P	164-166	B2893R	26/144-572	198
AT18156	26/93-3	109	+AT21112(x3)			AT27019	26/130-297	164, 166	B289A	26/2-89A	22
AT18649T	60/161-7	223-229, 231, 238	AT21134(x1)	26/2-14B	22	AT27585	26/151-9	206-209, 211	B289B	26/2-89B	22
			+AT21112(x4)			AT27596	26/130-297	164, 166	B310B	26/3-108	14, 15, 22, 38
AT18650T	60/161-7	223-229, 231, 238	AT21136	26/8-12C	23	AT27653	26/103-17	144-150	B310BA	26/3-108A	22
			AT21136(x1)	26/2-12C	22	AT27653	26/152-2	206-209, 211, 212, 214, 215	B310B	26/3-108B	22
AT18852H	60/161-7	223-229, 231, 238	+AT21114(x3)						B310BC	26/3-108C	22
			AT21136(x1)	26/2-14C	22	AT28425	26/70-41	80	B3110	26/3-110	14-16, 21, 22, 38, 39
AT20719	26/151-9	206-209, 211	+AT21114(x4)			AT28462	26/100-121	130-134	B3110A	26/3-110A	22
AT20728	60/161-7	223-229, 231, 238	AT21136(X1)	26/2-18C	22	AT28810	26/150-38	206, 208	B3110B	26/3-110B	22
			+AT21114(X6)			AT28821	26/151-9	206-209, 211	B3110C	26/3-110C	22
AT20797	26/150-102	206	AT21138	26/9-12	13-18, 23, 36, 39, 41, 42	AT29054	26/151-9	206-209, 211	B3111	26/3-111	18, 21, 22, 42
AT20847	26/150-38	206, 208				AT29302	26/34-48	46, 49, 52	B3111A	26/3-111A	22
AT20849	26/180-37	206, 207	AT21138(X3)	26/3-12	13, 21, 22, 36, 37	AT29303	26/107-41	154, 155	B3111B	26/3-111B	22
AT20911	26/105-5	144-150				AT29305	26/107-42	154, 155	B3111C	26/3-111C	22
AT20912	26/172-6	144, 146, 147, 149	AT21138(X4)	26/3-14	14-16						
			AT21138(X6)	26/3-16	17						

Part numbers are quoted for reference purposes only.  
Our parts and accessories are not original.

**"THE RELIABLE SERVICE"**

Las referencias originales tienen un preámbulo identificativo. Nuestras piezas no son originales.

**CROSS REFERENCES**  
**REFERENCIAS ORIGINALES CRUZADAS**

OEM OEM	Ref. Ref.	Page Página	OEM OEM	Ref. Ref.	Page Página	OEM OEM	Ref. Ref.	Page Página	OEM OEM	Ref. Ref.	Page Página
B3127	26/3-127	19, 22, 44	DD14292	26/100-29	130-133	FG6340327	60/162-366	231	L156225	60/4200-108A	284
B351	26/3-51	17, 19, 22, 41, 42	DD14295	26/100-21	130-133	FG6340328	60/161-356	231	L156235	60/4200-203A	284
B351A	26/3-51A	22	DD14529	26/33-53	47, 49, 50, 53-55, 58	FG6340329	60/162-356	231	L156236	60/4200-204A	284
B351B	26/3-51B	22	DD14698	26/60-55	126-129	H35244	26/6011-1	21, 24-27	L166802	26/154-312	210, 211, 213, 215
B351C	26/3-51C	22	DD14760	26/90-29	102, 103, 105, 107	H79235(X2)	26/144-559	198	L169272	26/144-599	199, 200
B352	26/3-52	17, 19, 20				H93473	26/144-550	197, 198	L169273	26/144-598	199, 200
B352A	26/3-52A	22	DD14941	26/143-95	177-179, 183, 185	KV16429	60/161-361	242, 243	L169990	26/144-600	199, 200
B352B	26/3-52B	22				L100317	26/144-585	196, 199	L29263	26/153-17	206, 208
B352C	26/3-52C	22	DD14996	26/17-17	32-34	L100319	26/144-118	196, 199	L31795	26/153-19	211
B381	26/3-81	15, 16, 22, 39, 40	DD15654	26/17-17	32-34	L100591	26/154-309	212, 214	L32456	26/153-22	211, 212
B381A	26/3-81A	22	DDX4374	26/60-6	126, 127	L100593	26/154-308	209, 210	L32488	26/154-23	212
B382	26/3-82	18, 22, 42, 43	DDX4375	26/60-7	126-129	L100882	26/153-312	209, 210	L34832	26/154-23	212
B382A	26/3-82A	22	DDX4895	26/130-308	166	L101166	26/144-581	195	L34832	60/162-10	229, 230, 232, 233
B389	26/3-89	19, 22, 44	DDX5000	26/130-41P	164-166	L101411	26/144-588	196, 199	L34898	26/153-21	208, 209
B389A	26/3-89A	22	DE13243	26/130-296	164, 166	L110391	26/144-578	195, 199	L34920	26/153-20	206, 207
B389A	26/3-89A	22	DE14135	26/172-6	144, 146, 147, 149	L110599	26/144-583	196	L34921	26/154-21	208, 209
B920	26/2-12	13-19, 21, 23, 36-39, 41, 42	DE14330	26/109-1	144	L110600	26/144-116	196, 197, 199, 201	L34922	26/154-22	211, 212
B920A	26/2-12A	22	DE14331	26/6099-1	144	L110600	26/144-118	196, 199	L35843	26/144-6	179
B920B	26/2-12B	22	DE14540	26/6099-2	144, 146	L110602	26/144-589	196, 199	L38596	60/4200-295	283
B920C	26/2-12C	22	DE15598	26/60-6	126, 127	L110803	26/144-579	195, 196, 199	L38598	60/4200-244	283
B921	26/2-12D	13, 21, 22	DE16748	26/130-309	167	L110805	26/144-111	196, 199	L41330	26/144-550	197, 198
B921A	26/2-12DA	22	DE17263	26/100-29	130-133	L110806	26/144-581	195	L41331	26/144-549	193
B921B	26/2-12DB	22				L110607	26/144-584	199	L56295	26/154-70	206
B921C	26/2-12DC	22	DE17836	60/161-10	229, 230, 232, 233	L110608	26/144-584	199	L56296	26/153-70	206
B922	26/2-14	14-16, 22	DE19070	26/100-29	130-133	L110609	26/144-585	196, 199	L56304	26/153-319	211
B922A	26/2-14A	22	DLLA148P408	26/100-29	130-133	L111087	26/144-586	196, 199	L56305	26/154-313	211
B922B	26/2-14B	22	DLLA148P522	26/117-273	162	L111148	26/144-110	195, 196	L56629	60/4200-18	283
B922C	26/2-14C	22	DLLA148P610	26/117-274	162	L111169	26/144-119	195, 196, 199	L58793	26/154-303	206, 207
B923	26/2-15	14-18, 22	DLLA148P611	26/117-275	162	L111170	26/144-580	195, 196, 199	L58801	26/153-303	206, 207
B923A	26/2-15A	22	DLLA148P612	26/117-271	162	L111275	26/154-310	209, 210, 212	L58814	26/153-302	206, 207
B923B	26/2-15B	22	DLLA148P662	26/117-272	162	L111599	26/144-122	197, 199	L58815	26/154-302	206, 207
B923C	26/2-15C	22	DLLA155S34ND67	26/117-142	159, 160	L111600	26/144-122	197, 199	L59206	26/144-551	193, 197, 198
B924	26/2-16	17, 18, 21, 22	DLLA155S34D68	26/117-264	160	L111601	26/144-114	195-197, 199, 200	L61986	26/154-305	208, 209
B924A	26/2-16A	22	DLLA155S574	26/117-141	161, 162	L111601	26/144-589	195-197, 199, 200	L61989	26/154-314	212
B924B	26/2-16B	22	DLLA155S574	26/117-261	160, 161	L111685	26/144-589	195, 196, 199, 200	L61990	26/153-306	208, 209
B924C	26/2-16C	22	DLLA155S593	26/117-263	160, 161	L111801	26/144-112	195, 196	L61991	26/153-307	208, 209
B925	26/2-17	17, 18, 22	DLLA155S858	26/117-264	160	L111801	26/144-591	197, 199	L62211	26/153-320	212
B925A	26/2-17A	22	DLLA155S881	26/117-141	161, 162	L111804	26/144-115	199	L62214	26/153-321	212
B925B	26/2-17B	22	DLLA155S896	26/117-277	163	L111805	26/144-115	199	L64176	26/144-529	191, 193
B925C	26/2-17C	22	DLLA155S713	26/117-142	159, 160	L114286	26/144-587	199	L64406	26/144-566	196
B930	26/3-12	13, 21, 22, 36, 37	DLLA155S729	26/117-252	160	L114290	26/144-121	197, 199	L77822	26/153-312	209, 210
B930A	26/3-12A	13, 21, 22, 36, 37	DLLA155S895	26/117-267	161-163	L114292	26/144-590	195, 196, 199, 200	L78789	26/154-306	209, 210
B930B	26/3-12B	13, 21, 22, 36, 37	DLLA155SND138	26/117-297	161-163	L114292	26/144-122	197, 199	L79340	26/144-119	195, 196, 199
B930C	26/3-12C	13, 21, 22, 36, 37	DLLA158P161	26/117-265	160-162	L114293	26/144-592	195, 196, 199, 200	L79342	26/144-110	195, 196
B932	26/3-14	14-16	DLLA158P615	26/117-260	160-162	L114489	26/144-593	195, 197, 199, 200	L79343	26/144-579	195, 196, 199
B932A	26/3-14A	22	DLLA158P616	26/117-258	160, 162	L114489	26/144-593	195, 197, 199, 200	L79344	26/144-578	195, 199
B932B	26/3-14B	22	DLLA158P617	26/117-276	162	L114489	26/144-593	195, 197, 199, 200	L79345	26/144-580	195, 196, 199
B932C	26/3-14C	22	DLLA158S766	26/117-143	159, 160	L114487	26/144-121	197, 199	L80331	26/153-323	212
B934	26/3-16	17	DLLA158S920	26/117-253	159	L114488	26/144-120	196, 199, 200	M17467	26/68-8	90-93, 96
B934A	26/3-16A	22	DQ24057	60/111-245	244, 246, 249, 250	L114489	26/144-117	195	N150864	26/144-17	194, 197
B934B	26/3-16B	22	DQ24941	60/161-35	232, 233, 235, 244	L114593	26/153-324	212, 213, 214	P164172	60/641-256	272, 273, 275
B934C	26/3-16C	22	DQ24942	60/161-35	232, 233, 235, 244	L114594	26/153-313	210	PE10011906	60/161-31	233, 235, 238
B9902	26/90-92	103, 105, 107	DQ24942	60/162-240	244	L114595	26/154-311	210214	PE10011907	60/162-31	233, 235, 238
C20325/2	60/161-7	223-229, 231, 238	DQ48907	60/161-241	246, 249	L115657	26/144-584	199	PE68018093	60/97-45	238
CDX14020A	26/144-16	191-193, 197	DQ48907	60/162-241	246, 249	L115658	26/144-585	198, 199	PE70114566	60/825-13	269
CDX14021A	26/144-18	197	DQ48906	60/162-241	246, 249	L115659	26/144-586	196, 199	PE71011292	60/161-143	237, 241
CE13859	26/141-88	175, 176	EQ043151	60/655-6	279-281	L115660	26/144-587	199	PE71011293	60/162-143	238, 241
CE13884	26/153-301	208	ER136436	26/144-16	191-193, 197	L115661	26/144-588	196, 199	PE78420010	60/240-16	269
CE16309	60/162-10	229, 230, 232, 233	ER136693	60/641-33	270, 271	L116025	60/4200-108	284	PE78420010	60/240-73	269
DDP15054284104	26/117-247	158	ER190407	26/144-533	192	L116093	26/153-325	212, 213	PE79011284	60/161-75	237
DDP1605430430	26/117-246	157, 158	ER191185	26/144-536	192, 194	L116094	26/153-314	210, 211	PE79011285	60/162-75	237
DD11181	26/60-5	126-128	ER198207	26/144-531	192, 193	L116240	60/111-97	137, 250, 251	PE930558	26/117-246	157, 158
DD11785	26/90-29	102, 103, 105, 107	ER198317	26/144-548	194	L116423	26/154-312	210, 211, 213, 215	PE931140	60/574-24	269
DD11831	26/34-51	46-56	ER200804	26/100-115	138-141	L12824	60/111-26	223	PE931260	60/111-33	237, 238
DD12042	26/60-6	126, 127	ER200931	26/154-307	209	L153010	26/153-315	210	PE933628	26/117-247	158
DD12043	26/60-7	126-129	ER200932	26/153-311	209	L153012	26/153-326	213, 215	PMLF4154	60/97-45	238
DD13271	26/70-44	84	ER201034	60/111-97	137, 250, 251	L153258	26/153-316	210	PY0385	26/131-21	164-167
DD13273	26/70-42	81	ER201383	26/144-544	194	L153280	26/144-594	197, 199, 200	R100850	26/12-90	13, 15, 21
DD13483	26/100-29	130-133	ER201385	26/144-535	192	L153281	26/144-598	197, 199, 200	R100856	26/91-11	102, 103
DD14195	26/100-21	130-133	ER262825	60/855-22	271	L153282	26/144-598	197, 199, 200	R102840	26/56-20	72-77
			ER263059	60/162-360	241, 242	L153285	26/144-599	197, 199, 200	R102882	26/47-153	69, 70
			ER263060	60/161-360	241, 242	L153285	26/144-599	197, 199, 200	R104536	26/141-89	175-177
			ER5000	60/655-6	27						

**CROSS REFERENCES**  
**REFERENCIAS ORIGINALES CRUZADAS**

OEM OEM	Ref. Ref.	Page Página	OEM OEM	Ref. Ref.	Page Página	OEM OEM	Ref. Ref.	Page Página	OEM OEM	Ref. Ref.	Page Página
R106120	26/144-617	201	R123069	26/35-156	53, 54, 56, 57	R29018	26/144-150	198, 199, 202	R50358	26/42-152	68, 70, 71
R106122	26/144-616	201	R124607	26/147-84	182, 183, 185,	R30939	26/28-20	38, 41	R503794	26/91-11	102, 103
R106123	26/144-619	201			187, 188	R32050	26/35-311	50, 53, 60	R503808	26/86-22	91, 93-95, 97-99
R106796	26/74-206	80-82	R124785	26/144-635	202	R34656	26/103-7	144-151			
R107731	26/53-24	73-79	R124786	26/144-636	202	R34764	26/119-2	163	R503892	26/17-18	30, 31
R107732	26/53-29	77	R125855	26/75-191	87	R34767	26/119-3	163	R503908	26/45-93	67, 69
R109086	26/6019-1	21	R125863	26/73-43	81, 82	R40615	26/35-152	50, 53, 60	R504055	26/7101-15	156
R109884	26/6098-17	121	R125865	26/73-41	80	R41709	26/73-154	84, 85, 87	R504060	26/42-153	69-71
R109885	26/6098-17	121	R126012	26/153-309	209	R42173	26/28-21	42, 43	R504061	26/43-153	69-71
R110126	26/54-26	76, 78, 79	R126013	26/154-304	207, 209	R42281	26/141-6	179	R504261	26/45-10	66-70
R110524	26/47-18	65, 66	R126252	26/91-11	102, 103	R43679	26/43-151	66, 68, 70, 71	R504300	26/28-110	37
R110654	26/154-337	215	R126605	26/153-305	207, 209	R43787	26/43-151A	71	R504882	26/74-218	81
R110656	26/153-337	215	R128002	26/154-321	214	R43788	26/43-151B	71	R505174	26/74-223	83
R110669	26/154-338	215	R128010	26/144-621	201	R43789	26/43-151C	71	R505418	26/56-20	72-77
R110670	26/153-338	215	R128231	26/154-320	214	R43883	26/42-151	66, 68, 71	R505479	26/147-83	182, 184, 186
R113176	26/153-329	214	R128838	26/6098-11	118	R43914	26/42-95	68, 70, 71	R505727	26/149-9	177
R113751	26/90-91D	107	R128839	26/6098-12	118	R44174	26/42-90	66, 68, 71	R515021	26/17-18	30, 31
R113752	26/6191-2	102-105, 108	R130571	26/153-334	214	R44175	26/43-90	66, 68, 71	R515050	26/17-21	31, 32
R114082	26/28-31	39, 40, 43	R130601	26/28-110	37	R45003	26/42-151A	71	R515090	26/73-41	80
R114083	26/26-12	40, 42, 43	R130602	26/28-31	39, 40, 43	R45004	26/42-151B	71	R515092	26/54-20	72, 79
R114098	26/6098-9	117, 118	R130603	26/28-30	39, 40, 42, 43	R45005	26/42-151C	71	R515093	26/42-150	65-67, 69-71
R114099	26/6098-1	111, 115, 116, 119, 120	R131016	26/149-25	185	R45615	26/73-212	84	R515094	26/43-150	65-67, 69-71
			R131213	26/144-647	202	R45616	26/73-208	81	R515095	26/53-20	72, 74, 76, 79
R114099	26/6098-10	117, 118	R131434	26/144-615	201	R46113	26/144-555	198	R515195	26/88-22	91, 93-95, 97-99
R114157	26/73-45	84-86	R131435	26/144-609	200	R46206	26/42-95A	71			
R114282	26/15-6	30, 32, 33	R131575	26/35-53	47, 48	R46207	26/42-95B	71	R515273	26/73-41	80
R115280	26/6191-3	102-105, 108	R133018	26/153-333	214	R46208	26/42-95C	71	R515274	26/73-43	81, 82
R115299	26/6094-2	110	R133518	26/144-113	201	R46479	26/147-84	182, 183, 185, 187, 188	R515346	26/89-7	90-94
R115336	26/35-149	50-52, 54-56	R133644	26/153-332	214				R516516	26/20-1	62-64
R115614	26/144-606	200, 201	R133960	26/154-322	214	R46661	26/35-154	53, 55	R516517	26/26-8	36-39, 41, 42
R115774	26/144-603	200	R134209	26/6098-9	117	R46903	26/56-22	73, 75, 77, 78	R516606	26/149-10	177, 178
R115935	26/144-613	201	R135250	26/154-306	209	R47438	26/59-4	28	R51726	26/35-51	46, 47, 49, 50, 52, 55
R115936	26/144-612	201	R135251	26/153-310	209	R48000	26/119-3	163			
R116078	26/6095-2	110	R135438	26/144-608	200	R48291	26/73-154	84, 85, 87	R51728	26/28-10	38, 38, 39, 41
R116081(X2)	26/9-89	19, 23, 44	R135822	26/144-542	194	R48292	26/73-209	81	R51735	26/42-18	65, 66, 68, 71
R116102	26/88-22	91, 93-95, 97-99	R135823	26/144-543	194	R48399	26/6110-4	134	R518387	26/149-9	177
			R135896	26/147-77	177, 178, 180,	R48685	26/1-23B	21	R518806	26/42-94	67, 70, 71
R116236	26/35-195	56			182, 184-186	R48697	26/117-261	160, 161	R518872	26/45-94	67, 70
R116281	26/35-51	46, 47, 49, 50, 52, 55	R136151	26/147-86	187, 188	R48699	26/6098-2	111, 115	R51944	26/88-28	93, 96-98, 100
			R157886	26/144-647	202	R49377	26/75-156	87	R519742	26/6088-30	97-100
R116380	26/35-150	50, 51, 54, 55	R157687	26/144-635	202	R49488	26/147-85	183	R520212	26/35-195	56
R116397	26/35-320	52, 55, 56	R157688	26/144-636	202	R49514	26/75-40	80	R520504	26/17-19	31, 33-35
R116463	26/35-48	46, 48, 52	R164820	26/144-637	202	R49515	26/75-43	81, 82	R520528	26/73-212	84
R116515	26/73-305	82, 83	R174754	26/144-113	201	R49516	26/17-10	30-34	R520529	26/73-208	81
R116516	26/73-306	86	R181917	26/144-624	201	R49866	26/74-208	81	R520534	26/73-154	84, 85, 87
R116816	26/28-99	37	R181918	26/144-627	201, 202	R49868	26/74-212	84, 85, 87	R520535	26/73-209	81
R116917	26/28-99	37	R183925	26/144-636	202	R500349	26/75-224	86	R520549	26/147-85	103
R118017	26/144-604	200	R183926	26/144-639	202	R500381	26/144-577	197	R520550	26/73-153	85
R118018	26/144-603	200	R200920	26/144-638	202	R500472	26/149-13	180, 181, 184, 186	R520574	26/6110-5	136
R119168	60/4200-254	285	R200921	26/144-639	202				R520582	26/75-208	81
R119210	26/6094-3	109, 110	R202628	26/144-622	201, 202	R500500	26/26-12	40, 42, 43	R520583	26/75-46	84, 85, 87
R119359	26/75-41	80	R202629	26/144-831	202	R501035	26/26-94	44	R520618	26/6110-1	130-134
R119360	26/75-42	81, 82	R206983	26/144-638	202	R501124	26/26-93	36, 37, 39, 40, 42, 43	R520706	26/73-157	85
R119674	26/56-20	72-77	R207755	26/144-639	202				R521228	26/75-156	87
R120247	26/6088-8	90-92, 94-99	R216949	26/144-528	192	R501130	26/149-11	180, 182	R521493	26/75-223	83
R120631	26/12-91	15, 16, 18	R228118	26/144-640	202	R501132	26/149-9	177	R521498	26/75-224	86
R120638	26/91-12	104, 106	R228566	26/144-641	202	R501227	26/147-80	180, 181, 184, 186	R521525	26/75-311	82
R121087	26/6098-13	120	R245222	26/144-622	201, 202				R521548	26/147-82	182, 184, 186-188
R121088	26/6098-14	120	R245223	26/144-629	202	R501228	26/147-81	180, 181, 184, 186			
R121376	26/6191-4	104, 106, 108	R251425	26/144-633	202				R522030	26/75-311	82
R121415	26/149-25	185	R26049	26/12-51	14, 15, 17, 19, 20	R501278	60/111-241	254, 255	R52251	26/42-17	65, 66, 68, 71
R121566	26/6098-15	120				R501373	26/147-4	181-186	R52252	26/43-17	65, 66, 68, 71
R121567	26/6098-20	120	R26051	26/13-51	25, 27, 28	R501640	26/47-154	70	R522768	26/17-19	31, 33-35
R121867	26/35-150	50, 51, 54, 55	R26058	26/17-19	31, 33-35	R502260	26/35-318	47	R523925	26/74-224	83
R122196	26/149-26	186	R26123	26/43-89	66, 68, 71	R502369	26/42-93	67, 69, 71	R524468	26/74-224	83
R123226	26/141-73	177, 178, 180-186	R26124	26/42-89	66, 68, 71	R502370	26/43-93	67, 69-71	R524469	26/74-225	86
			R26125	26/45-10	66-70	R502428	26/17-20	31	R524497	26/74-218	81
R123273	26/6110-3	133, 134, 135	R26325	26/26-10	38, 41-44	R502450	26/149-10	177, 178	R524499	26/74-223	83
R123352	26/75-311	82	R26342	26/54-22	73, 75, 79	R502451	26/149-9	177	R525767(X12)	26/3-89	19, 22, 44
R123353	26/75-310	82	R265241	26/144-630	202	R502511	26/20-2	63, 64	R525767(X2)	26/9-89	19, 23, 44
R123354	26/75-306	86	R265242	26/144-624	201	R502598	26/74-221	87	R52773	26/54-23	73, 75, 77, 78
R123453	26/144-610	197, 201	R28727	26/88-28	93, 96-98, 100	R502599	26/144-578	197			
R123459	26/144-620	201	R267275	26/144-623	201, 202	R502719	26/74-222	87	R52789	26/73-40	80
R123460	26/144-614	201	R269530	26/144-631	202	R502778	60/111-247	249, 251, 253, 255	R52790	26/73-42	81
R123469	26/144-614	201	R269631	26/144-627	201, 202				R52791	26/73-44	84
R123542	26/74-305	82, 83	R27175	26/88-29	96, 97-100	R502814	26/147-77	177, 178, 180, 182, 184-186	R53161	26/6110-5	136
R123543	26/74-306	86	R27976	26/47-17	65, 66, 68				R53258	26/144-570	

**CROSS REFERENCES**  
**REFERENCIAS ORIGINALES CRUZADAS**

OEM OEM	Ref. Ref.	Page Página	OEM OEM	Ref. Ref.	Page Página	OEM OEM	Ref. Ref.	Page Página	OEM OEM	Ref. Ref.	Page Página
R53438	26/73-153	85	R73189	26/144-573	198, 199	R91708	26/6094-4	109, 110	RE12458	26/70-151	81
R54033	26/100-150P	136	R73429	26/73-45	84-86	R91732	26/45-23	69, 70	RE12459	26/70-43	81
R54505	26/35-150	50, 51, 54, 55	R73521	26/74-43	81, 82	R91822	26/45-23	69, 70	RE12793	60/4200-244	283
R54614	26/90-29C	107	R73784	26/144-16	191-193, 197	R91878	26/73-43	81, 82	RE12635	26/130-51	164, 165, 167
R54631	26/90-89C	107	R73785	26/144-18	197	R91880	26/73-45	84-86	RE12636	26/130-309	167
R54632	26/90-89D	107	R73789	26/144-557	198	R91899	26/46-10	65-67, 69, 70	RE13031	26/131-325	170, 171
R54638	26/147-4	181-186	R74008	26/28-22	42-44	R92351	26/6120-2	163	RE13255	26/70-40	80
R54799	26/53-21	73, 74, 76-79	R74194	26/26-7	36, 38, 41	R92352	26/119-8	163	RE13258	26/70-44	84
R54829	26/6098-5	111-114, 116, 117, 119, 120	R74195	26/26-9	39, 42	R92425	26/73-43	81, 82	RE13268	26/71-44	84
R55055	26/42-152A	71	R75728	26/74-45	84, 85, 86	R92426	26/73-45	84-86	RE13571	26/6-11	13-18
R55056	26/42-152B	71	R75729	26/74-40	80	R92624	26/74-206	80-82	RE13887	26/6119-2	163
R55057	26/42-152C	71	R75827	26/35-51	46, 47, 49, 50, 52-55	R93309	26/42-153A	71	RE13979	26/131-21	164-167
R55059	26/42-152D	71	R77758(X1)	26/2-122C	22	R93311	26/43-153A	71	RE14448	26/6097-1	111, 112, 114-120
R55060	26/43-152C	71	+AR49247(X6)			R93312	26/42-153B	71			
R55083	26/117-263	100, 161	R78558	26/20-1	62-64	R93313	26/43-153B	71	RE14953	26/13-51	25, 27, 28
R55127	26/6098-4	111, 114-120	R78558	26/6020-1	21	R93314	26/42-153C	71	RE151778	60/4200-248	284
R55182	26/73-156	85, 87	R78598(X3)	26/6-11	13-18	R93315	26/43-153C	71	RE152658	60/641-243	280, 281
R55401	26/6098-16	111-120	R79024	26/144-20	198	R95018	26/153-330	214	RE16381	26/90-29	102, 103, 108, 107
R55647	26/28-10	36, 38, 39, 41	R79175	26/6098-19	111-114, 116, 117, 119, 120	R95019	26/153-331	214			
R55851	26/35-152	50, 53, 60	R79176	26/141-69	175-177	R95020	26/154-318	214	RE15490	26/90-92A	107
R56186	26/28-11	36, 38, 39, 41, 42	R79176	26/6099-19	111-114, 116, 117, 119, 120	R95021	26/154-319	214	RE15595	26/31-53	47, 49, 50, 53-55
R56445	26/28-9	39, 42	R79605	26/6120-3	163	R95924	26/144-607	200, 201			
R56573	26/73-43	81, 82	R79623	26/42-17	65, 66, 68, 71	R96256	26/144-611	201	RE15596	26/31-53	47, 49, 50, 53-55
R56574	26/73-45	84-86	R79624	26/43-17	65, 66, 68, 71	R97341	26/144-618	201			
R56751	26/6088-29	93, 96-98, 100	R79625	26/43-17A	71	R97342	26/75-40	80	RE15600	26/31-53	47, 49, 50, 53-55
R56933	26/75-45	84-86	R79626	26/43-17B	71	R97344	26/75-45	84-86			
R57180	26/6094-1	109	R79627	26/43-17C	71	R97345	26/75-226	84			
R57332	26/42-17A	71	R79628	26/42-17A	71	R97350	26/6110-1	130-134	RE15674	26/34-51	46-56
R57333	26/43-17A	71	R79629	26/42-17B	71	R97351	26/17-10	30-34	RE160384	60/111-254	237
R57334	26/42-17B	71	R79630	26/42-17C	71	R97356	26/73-41	80	RE161181	60/841-240	278, 279, 281
R57335	26/43-17B	71	R79691	26/6099-6	111-120	R97357	26/17-23	33	RE164839	60/161-245	253
R57336	26/42-17C	71	R80026	26/73-156	85, 87	R97490	26/42-150B	71	RE16494	26/25-90	36, 38, 39, 41, 42
R57337	26/43-17C	71	R80033	26/26-8	36-39, 41, 42	R97491	26/42-150C	71			
R57428	26/42-18A	71	R80136	26/85-23	90-99	R97492	26/43-150B	71	RE16495	26/25-10	36, 38, 39, 41
R57427	26/42-18B	71	R80241	26/73-41	80	R97493	26/43-150C	71	RE165030	26/150-72	214
R57428	26/42-18C	71	R80242	26/73-43	81, 82	R97758	26/144-15	181, 193	RE165044	60/4200-257	285
R57450	26/28-120	38	R80243	26/73-45	84-86	R97876	26/149-8	175-180	RE16911	26/71-41	80
R57451	26/28-11	36, 38, 39, 41, 42	R80244	26/73-45	84-86	R97877	26/147-76	175-180	RE16912	26/70-41	80
R58007	26/6095-3	109, 110	R80500	26/35-150	50, 51, 54, 55	R97939	26/144-50	191, 182	RE16920	26/71-43	81
R58078	26/141-72	183, 187, 188	R80724	26/35-51	46, 47, 49, 50, 52-55	R97940	26/144-50	191, 182	RE16921	26/70-151	81
R59052	26/141-71	180	R80984	26/17-23	33	R98082	26/42-150	65-67, 69-71	RE16922	26/70-43	81
R59312	26/59-5	28	R81274	26/147-85	183	R88480	26/73-40	80	RE16923	26/70-45	84, 86
R59447	26/73-41	80	R81989	26/11-14A	21, 24-27	R98461	26/73-42	81	RE16924	26/71-45	84, 86
R59448	26/73-43	81, 82	R82174	26/144-19	192, 197	R98462	26/73-44	84	RE16925	26/70-45	84, 86
R59449	26/73-45	84-86	R82998	26/53-3	72-78, 79	R99253	26/6098-16	111-120	RE16926	26/70-153	86
R59915	26/59-4	26	R83062	26/141-67	175, 177-180	R99254	26/141-70	177, 178	RE16927	26/70-55	84
R60724	26/28-25	42, 44	R83063	26/6099-16	111-120	R99254	26/6098-3	111-120	RE16933	26/71-45	84, 86
R60746	26/119-2	183	R83064	26/141-69	175-177	R99280	26/6098-18	111, 120	RE16934	26/70-150	81
R60765	26/141-6	179	R83064	26/6098-19	111-114, 116, 117, 119, 120	R99802	26/6098-7	114, 116, 120	RE169790	26/107-41	154, 155
R63451	26/1-51	17, 19, 20				R99803	26/6098-7	114, 116, 120	RE171235	60/161-220	246
R63525	26/73-41	80	R83429	26/53-21	73, 74, 76-79	RE10535	26/70-42	81	RE171236	60/162-164	246
R63526	26/73-43	81, 82	R84618	26/42-153	69-71	RE10596	26/107-41	154, 155	RE172178	60/641-257	273, 275
R63527	26/73-45	84-86	R84619	26/43-153	69-71	RE10659	26/107-41	154, 155	RE172447	60/162-245	253
R64151	26/73-41	80	R85363	26/20-1	62-64	RE10869	26/100-133	138	RE17352	26/13-51	25, 27, 28
R64152	26/73-43	81, 82	R85363	26/6020-1	21		26/6097-1	111, 112, 114-120	RE174130	60/641-243	280, 281
R64153	26/73-45	84-86	R86565	26/12-93	20	RE10938	26/117-253	159	RE17831	26/13-141	21, 24-27
R65712	26/144-549	193	R87151	26/144-54	197, 198	RE10947	26/117-267	161-163	RE181915	60/162-243	250-252
R66065	26/73-157	85	R87152	26/144-53	197, 198	RE10967	26/131-337	170, 171	RE184034	26/135-11	205
R66177	26/90-89C	107	R87153	26/144-51	192, 193	RE10969	26/130-210	170, 171	RE18676	26/130-317	189
R66452	26/26-10	38, 41-44	R87154	26/144-52	193, 194	RE10970	26/130-210	170, 171	RE18684	26/70-48	84
R67879	26/6110-5	136	R87561	26/56-28	76, 78	RE11036	26/13-141	21, 24-27	RE18694	26/31-51	46, 47, 49, 50, 52
R68226	26/74-40	80	R87827	26/47-17	85, 86, 88	RE11325	60/111-152	234, 236	RE18697	26/31-51	46, 47, 49, 50, 52
R68227	26/74-43	81, 82	R87858	26/35-155	53, 54, 56, 57	RE11345	26/131-21	164-167			
R68228	26/74-45	84, 85, 86	R88112	26/6095-3	109, 110	RE11346	26/131-22	168	RE187966	60/4200-257	285
R70135	26/100-150P	136	R89014	26/7101-15	156	RE11347	26/131-23	184, 185, 167	RE19031	26/50-3	72, 73, 75-79
R70438	26/6098-16	111-120	R89219	26/42-18	65, 66, 68, 71	RE11348	26/131-24	167	RE19278	26/33-53	47, 49, 50, 53-55, 58
R70483	26/17-10	30-34	R89220	26/42-18A	71	RE11496	26/130-210	170, 171	RE19279	26/33-53	47, 49, 50, 53-55, 58
R70608	26/6098-18	111-120	R89221	26/42-18B	71	RE11498	26/130-210	170, 171	RE19279	26/33-53	47, 49, 50, 53-55, 58
R70736	26/149-8	175-180	R89222	26/42-18C	71	RE11509	26/31-51	46, 47, 49, 50, 52	RE19282	28/33-51	46, 47, 49, 50, 52
R70737	26/141-8	175, 176, 178-180	R90059	26/35-51	46, 47, 49, 50, 52-55	RE11510	26/31-51	46, 47, 49, 50, 52	RE19283	26/33-51	46, 47, 49, 50, 52
R71603	26/144-569	198, 202	R90692	26/43-150	65-67, 69-71	RE11515	26/33-51	46, 47, 49, 50, 52	RE193648	26/135-10	205
R71917	26/75-208	81	R90788	26/85-7	90-93, 96-98, 100	RE11982	60/111-255	227, 231, 234, 236	RE19507	26/131-21	164-167
R71918	26/75-46	84, 85, 87	R91407	26/144-55	198	RE12386	26/100-131	136	RE19510	26/131-24	167
R72111	26/59-5	26							RE195491	60/4200-104	283

Part numbers are quoted for reference purposes only.  
Our parts and accessories are not original.

**"THE RELIABLE SERVICE"**

Las referencias originales tienen un propósito identificativo. Nuestras piezas no son originales.

**CROSS REFERENCES**  
**REFERENCIAS ORIGINALES CRUZADAS**

OEM OEM	Ref. Ref.	Page Página	OEM OEM	Ref. Ref.	Page Página	OEM OEM	Ref. Ref.	Page Página	OEM OEM	Ref. Ref.	Page Página
RE196945	60/161-243	250-252	RE27285	26/6110-1	130-134	+RE27368(X3)			RE37464	26/71-42	81
RE197065	60/655-23	272	RE27348	26/9-12	13-18, 23, 36-39, 41, 42	RE27366(X1)	26/2-15C	22	RE37465	26/71-40	80
RE197177	26/130-297	164, 166				+RE27368(X4)			RE37482	26/100-29	130-133
RE197333	26/25-9	36, 38, 41	RE27348(X3)	26/3-12	13, 21, 22, 36	RE27368(X1)	26/2-17C	22	RE37483	26/131-21	164-167
RE19789	26/70-46	84				+RE27368(X6)			RE37484	26/131-22	168
RE19631	26/31-315	50	RE27348(X4)	26/3-14	14-16	RE27368	26/7-12C	23	RE37486	26/70-42	81
RE196361	60/641-242	278, 279	RE27348(X6)	26/3-16	17	RE27368(X3)	26/2-120C	22	RE37487	26/70-40	80
RE198488	60/4200-103	283	RE27349	26/9-12A	23	+RE27368(X1)			RE37488	26/71-44	84
RE19944	26/130-41	164-166	RE27349(X3)	26/3-12A	13, 21, 22, 36	RE27368(X3)	26/2-12C	22	RE37489	26/71-41	80
RE199568	26/150-171	207				+RE527236(X1)			RE37490	26/71-43	81
RE199681	60/4200-247A	285	RE27349(X4)	26/3-14A	22	RE27368(X4)	26/2-18C	22	RE37491	26/71-45	84, 86
RE199682	60/4200-106A	285	RE27349(X6)	26/3-16A	22	+RE27366(X1)			RE37492	26/70-41	80
RE20022	26/130-210	170, 171	RE27350	26/8-15	23	RE27368(X4)	26/2-14C	22	RE37493	26/70-43	81
RE20023	26/130-324	170, 171	RE27351	26/8-15A	23	+RE527236(X1)			RE37494	26/70-45	84, 86
RE20042	26/100-131	136	RE27351(X1)	26/2-120A	22	RE27368(X6)	26/2-17C	22	RE37495	26/70-55	84
RE201745	60/4200-248A	284	+RE27353(X3)			+RE27366(X1)			RE37496	26/70-46	84
RE205726	60/641-10	277-280	RE27351(X1)	26/2-15A	22	RE27368(X6)	26/2-16C	22	RE37497	26/70-44	84
RE20585	26/1-64	21	+RE27353(X4)			+RE527236(X1)			RE37503	26/117-46	157-159
RE20871	26/117-267	161-163	RE27351(X1)	26/2-17A	22	RE273801	60/641-242	278, 279	RE37715	26/70-151	81
RE210102	60/161-362	253	+RE27353(X6)			RE27667	26/100-121	130-134	RE37981	26/135-4	204, 205
RE210103	60/162-362	253	RE27351(X1)	26/2-120B	22	RE27848	26/100-131	136	RE38009	26/100-26	130, 132, 134
RE21058	60/97-246	236, 237	+RE27360(X3)			RE27875	26/-1-52	20	RE38077	26/6097-9	111-119
RE21076	26/25-10	36, 38, 39, 41	RE27352	26/7-12	13-18, 23	RE27916	60/240-240	267	RE38076	26/6097-10	111, 117-120
RE210857	60/641-259	283	RE27352(X3)	26/2-12	13-19, 21, 23	RE28368	26/130-328	171	RE38087	26/117-47	157-159, 161
RE21408	26/31-51	46, 47, 49, 50, 52	+RE521350(X1)	26/2-14	36-39, 41, 42	RE28533	26/180-33	126-129	RE38555	26/70-153	86
			RE27352(X4)			RE28919	26/33-160	50, 51, 54	RE38556	26/70-163	86
RE21411	26/31-51	46, 47, 49, 50, 52	+RE521350(X1)	26/2-15	14-16, 22	RE28920	26/33-161	51, 54, 55	RE38558	26/70-42	81
			RE27352(X4)			RE28966	26/31-150	50, 51, 54	RE38566	26/70-44	84
RE21748	60/97-243	227, 231, 233, 236	+RE60350(X1)	26/2-16	17, 18, 21, 22	RE28977	26/31-151	51, 54, 55	RE38570	26/70-40	80
			RE27352(X6)	26/2-16	17, 18, 21, 22	RE29018	26/144-150	198, 199, 202	RE38571	26/71-44	84
RE21894	26/150-177	212	RE27352(X6)	26/2-16	17, 18, 21, 22	RE29179	26/117-278	162	RE38599	26/70-150	81
RE219782	60/4200-266A	285	+AT21139(X1)			RE29320(X1)	26/2-127	19	RE38847	26/71-42	81
RE22678	26/31-53	47, 49, 50, 53-55	RE27352(X6)	26/2-16	17, 18, 21, 22	+RE57170(X6)			RE38848	26/71-40	80
			+RE521350(X1)			RE29658	26/60-54	126-129	RE38849	26/71-44	84
RE22678	26/31-53	47, 49, 50, 53-55	RE27352(X6)	26/2-17	17, 18, 22	RE29859	26/71-156	85, 87	RE38850	26/71-44	84
			+RE60350(X1)			RE30085	26/117-260	160-162	RE38851	26/71-43	81
RE22681	26/31-53	47, 49, 50, 53-55	RE27353	26/7-12A	23	RE30086	26/117-268	160, 162	RE38852	26/71-45	84, 86
			RE27353(X3)	26/2-120A	22	RE30206	26/70-156	85, 87	RE38853	26/70-41	80
			+RE27351(X1)			RE30250	26/31-51	46, 47, 49, 50, 52	RE38854	26/70-42	81
RE22744	26/7101-14	156	RE27353(X3)	26/2-12A	22				RE38855	26/70-40	80
RE22764	26/13-51	25, 27, 28	+RE526754(X1)			RE30250	26/33-51	46, 47, 49, 50, 52	RE38856	26/70-44	84
RE230985	60/162-364	255	RE27353(X4)	26/2-15A	22				RE38857	26/70-43	81
RE23160	26/31-152	53	+RE27351(X1)			RE30973	26/117-265	160-162	RE38858	26/70-45	84, 86
RE23163	26/33-162	53	RE27353(X4)	26/2-14A	22	RE31134	26/130-300	165	RE38859	26/70-55	84
RE23165	26/31-313	50, 53	+RE526754(X1)			RE31257	26/1-85	21	RE38860	26/70-46	84
RE23168	26/33-313	50, 53	RE27353(X6)	26/2-17A	22	RE31471	26/130-299	165	RE38865	60/641-244	269
RE23170	26/31-312	50, 53	+RE27351(X1)			RE31800	26/130-195	169	RE38867	60/641-246	269
RE23172	26/33-311	50, 53	RE27353(X6)	26/2-18A	22	RE31617	26/47-191	65-67, 69	RE39103	26/151-90	212
RE23173	26/31-311	50, 53	+RE526754(X1)			RE31757	26/117-46	157-159	RE39121	26/130-327	171
RE23291	26/130-325	170, 171	RE27358	26/9-12B	23	RE31929	26/6097-1	111, 112, 114-120	RE39527	60/641-10	277-280
RE23295	26/131-325	170, 171	RE27358(X3)	26/3-12B	13, 21, 22, 36				RE40151	26/130-51	164, 165, 167
RE24458	26/31-51	46, 47, 49, 50, 52				RE31973	26/50-3	72, 73, 75-79	RE40462	26/131-335	164, 165, 167
			RE27358(X4)	26/3-14B	22	RE32011	26/8119-2	163	RE40557	26/33-194	48
			RE27358(X6)	26/3-16B	22	RE33115	26/31-53	47, 49, 50, 53-55	RE40563	26/33-313	50, 53
RE24539	26/31-51	46, 47, 49, 50, 52	RE27359	26/8-15B	23				RE40564	26/33-313	50, 53
			RE27359(X1)	26/2-15B	22	RE33197	26/1-24	21	RE40566	26/33-311	50, 53
RE24619	60/4200-260	285	+RE27360(X4)			RE33687	26/1-50	21	RE41157	26/130-192	168, 170
RE24773	26/131-325	170, 171	RE27359(X1)	26/2-17B	22	RE33705	26/143-10	175-179, 181, 183-186	RE41269	26/145-20	203
RE24845	26/130-51P	164, 165	+RE27360(X6)						RE41889	26/33-182	53
RE24860	26/6097-9	111-119	RE27360	26/7-12B	23	RE34010	26/73-156	85, 87	RE41942	26/144-560	198, 199
RE24897	26/151-90	212	RE27360(X3)	26/2-120B	22	RE34958	60/641-260	264-268, 280	RE42050	60/111-254	237
RE24959	26/13-141	21, 24-27	+RE27351(X1)			RE34962	60/161-30	248-250	RE42051	60/97-243	237
RE25043	26/130-297	164, 166	RE27360(X3)	26/2-12B	22	RE34963	60/162-30	248-250	RE42052	60/186-3	237
RE25184	26/117-264	160	+RE527235(X1)			RE34966	60/161-36	248, 249	RE42107	26/131-327	171
RE25338	26/130-51P	164, 165	RE27360(X4)	26/2-15B	22	RE34967	60/162-36	248, 249	RE42151	26/70-220	87
RE261352	60/4200-103A	283	+RE27359(X1)			RE35142	26/100-133	136	RE42211	26/100-121	130-134
RE261353	60/4200-104A	283	RE27360(X4)	26/2-14B	22	RE35647	26/70-156	85, 87	RE42306	26/117-273	162
RE261980	60/161-364	255	+RE527235(X1)			RE35685	26/90-29	102, 103, 105, 107	RE42671	26/1-51	17, 19, 20
RE26282	26/93-3	109	RE27360(X6)	26/2-17B	22				RE42733	26/25-90	36, 38, 39, 41, 42
RE26283	26/93-4	109	+RE27359(X1)			RE35885	26/13-141	21, 24-27			
RE26327	26/130-51P	164, 165	RE27360(X6)	26/2-16B	22	RE36425	26/87-6	102, 103	RE43131	26/130-325	170, 171
RE26824	26/130-195	169	+RE527235(X1)			RE36605	26/1-64	21	RE43132	26/130-328	171
RE26927	26/130-195	169	RE27364	26/9-12C	23	RE36903	26/100-126	134	RE43231	60/641-246	269
RE26955	26/130-51	164, 165, 167	RE27364(X3)	26/3-12C	13, 21, 22, 36	RE36904	26/100-126	132, 134	RE43272	26/100-126	134
RE26975	26/130-51	164, 165, 167				RE36935	26/117-233	157, 158, 161	RE43273	26/100-122	132, 134
RE27091	60/111-27	227, 230, 231, 233-236, 248, 249, 252-254	RE27364(X4)	26/3-14C	22	RE36936	26/117-233	157, 158, 161	RE43394	26/50-20	72, 77, 78
			RE27364(X6)	26/3-16C	22	RE36939	26/117-47	157-159, 161	RE43593	26/151-93	214
			RE27366	26/8-15C	23	RE37089	26/7101-13	156	RE43845	26/85-25	88, 89
RE27132	26/1-82	20	RE27366(X1)	26/2-120C	22	RE37458	26/144-560	198, 199	RE44118	26/90-191	104, 106

Part numbers are quoted for reference purposes only.  
Our parts and accessories are not original.

**"THE RELIABLE SERVICE"**

Las referencias originales tienen un propósito identificativo. Nuestras piezas no son originales.

**CROSS REFERENCES**  
**REFERENCIAS ORIGINALES CRUZADAS**

OEM OEM	Ref. Ref.	Page Página	OEM OEM	Ref. Ref.	Page Página	OEM OEM	Ref. Ref.	Page Página	OEM OEM	Ref. Ref.	Page Página
RE44468	26/1-64	21	RE500449	26/93-8	110	RE50455	60/111-85	236, 239, 240,	RE515345	60/111-363	254, 255
RE44506	26/117-48	157-159, 161	RE500608	26/25-98	39, 40, 43	RE50455	60/111-85	242, 243, 250	RE515372	26/33-309	50, 51, 55
RE44574	26/13-141	21, 24-27	RE500611	26/88-20	91, 94, 95, 97-100	RE504638	26/1-90	15, 16	RE515684	26/117-244	157
RE44575	26/70-46	84				RE504639	26/1-92	18	RE515746	26/90-88	102, 103
RE44647	60/97-258	236, 237	RE500672	26/31-306	47, 48	RE50467	26/100-127	131-133, 135	RE515785	26/1-92	18
RE45323	26/33-191	48	RE500673	26/31-307	48	RE504822	26/75-156	87	RE516227	26/31-310	52, 55, 56
RE45517	26/1-50	21	RE500734	26/130-211	167, 168, 170	RE504838	60/97-88	242-248, 250-252	RE516228	26/31-321	56
RE45534	26/130-301	165	RE500737	26/130-211	167, 168, 170				RE51629	60/161-151	252, 253
RE45541	26/1-25	21	RE500895	26/1-25K	17, 18, 21	RE504914	26/90-90	104, 106	RE516291	26/33-324	56
RE45611	26/150-105	207, 209	RE500950	26/1-25K	17, 18, 21	RE504923	26/117-241	157	RE51630	60/162-151	252, 253
RE45776	26/151-85	207, 209	RE501052	26/143-96	177, 178, 180	RE505027	26/117-243	157	RE516340	26/11-40	25-27
RE45825	60/161-7	223-229, 231, 238	RE501054	26/71-216	85	RE505100	26/33-309	50, 51, 55	RE516486(X2)	26/45-93	67, 69
			RE501055	26/70-216	85	RE505101	26/33-180	50, 51, 54	RE517011	26/143-100	180-182, 184, 186
RE45826	60/162-103	238	RE501113	60/111-241	254, 255	RE505102	26/33-181	51, 55, 56			
RE45827	60/161-102	238, 242	RE50122	26/6097-11	120, 121	RE505110	26/31-180	50, 51, 54			
RE45828	60/162-102	238, 242	RE501455	26/70-305	82, 83	RE505111	26/31-309	50, 51, 56	RE517180	60/111-249	247, 248, 250-252
RE45864	60/655-21	270, 272, 273, 275, 277	RE501456	26/70-306	86	RE505112	26/31-181	51, 55, 56	RE517181	60/111-87	244-247
			RE501560	26/131-192	168, 170, 171	RE505515	26/11-40	25-27	RE518080(X2)	26/42-93	67, 69, 71
RE46238	26/130-51	164, 165, 167	RE501568	26/70-151	81	RE505621	26/1-93	18	RE518081(X2)	26/43-93	67, 69-71
RE46246	26/100-136	136	RE501569	26/70-153	86	RE505980	26/130-211	167, 168, 170	RE518148	26/70-216	86
RE46249	26/100-136	136	RE501570	26/70-42	81	RE505981	26/130-211	167, 168, 170	RE518152	26/71-216	86
RE46252	26/100-137	136	RE501574	26/70-40	80	RE506050	26/130-307	166	RE518154	26/71-219	86
RE46257	26/130-51	164, 165, 167	RE501578	26/70-41	80	RE50616	26/1-90	15, 16	RE518198	26/70-223	83
RE46310	60/161-358	235, 236	RE501579	26/70-43	81	RE506195	26/1-91	15, 16	RE518199	26/71-222	83
RE46311	60/162-358	235, 236	RE501580	26/70-45	84, 86	RE506220	26/70-191	87	RE518200	26/71-223	83
RE46375	26/100-138	136	RE501581	26/70-55	84	RE506222	26/71-191	87	RE51892	26/130-301	165
RE46380	60/97-17	227, 231, 233-236, 248, 249, 252-254	RE501584	26/70-153	86	RE506374	26/143-96	177, 178, 180	RE51893	26/130-301	165
			RE501585	26/70-217	86	RE506410	26/6097-9	111-119	RE518977	60/97-174	239, 240
			RE501586	26/70-150	81	RE506428	60/111-241	254, 255	RE519321	26/117-240	157
RE46687	26/88-20	91, 94, 95, 97-100	RE501622	26/143-100	180-182, 184, 186	RE506575	60/97-7	223-235, 237-243, 245, 248	RE519589	26/117-250	158
									RE519607	60/111-248	249, 251, 253, 255
RE46613	26/130-301	165	RE502079	26/60-54	126-129	RE507076	26/90-191	104, 106	RE519608	60/111-248	249, 251, 253, 255
RE46896	26/1-23	21	RE502190	26/1-25	21	RE507225	26/143-100	180-182, 184, 186			
RE46896	26/1-23K	13, 21	RE502190	26/1-25K	17, 18, 21				RE519626	60/97-174	239, 240
RE46897	26/1-85K	13, 21	RE502191	26/1-50	21	RE507284	60/111-244	254, 255	RE520033	26/117-240	157
RE46897	26/117-267	161-163	RE502191	26/1-50K	18, 21	RE50741	26/150-186	215	RE520036	26/13-51	25, 27, 28
RE47258	26/1-64K	14-16, 21	RE502203	60/111-278	254	RE507522	60/97-88	242-248, 250-252	RE52020	26/90-87	102-105
RE47313	60/641-29	277, 278	RE502204	60/111-241	254, 255				RE520573	26/33-318	47
RE47336	26/73-156	85, 87	RE502269	26/90-90	104, 106	RE50770	26/25-98	39, 40, 43	RE520589	26/33-308	51
RE47602	26/150-185	215	RE502569	26/149-26	186	RE507758	26/33-321	56	RE520589	26/33-308	51
RE47637	26/1-23K	13, 21	RE502740	26/66-25	94, 95, 97-99, 101	RE507766	26/117-237	159, 161	RE520768	26/31-318	47
RE47638	26/1-85K	13, 21				RE507808	26/33-192	47, 48	RE520785	26/117-239	157
RE47640	26/1-25K	17, 18, 21	RE50311	26/150-71	214	RE507850	26/31-181	51, 55, 56	RE520835	26/31-306	51
RE4767(X6)	26/3-111	18, 21, 22, 42	RE503528	26/34-195	56	RE507852	26/34-51	46-56	RE520906	60/111-362	253, 255
RE47861	26/31-151	51, 54, 55	RE503747	60/111-61	238-243	RE507920	26/31-309	50, 51, 56	RE521058	26/70-221	87
RE47862	26/31-150	50, 51, 54	RE504145	60/162-143	238, 241	RE508156	26/31-324	56	RE521059	26/71-221	87
RE47867	26/9-65	23	RE504195	26/7-89	19, 23	RE508317	26/50-24	72-77	RE52110	26/117-260	160-162
RE47867(X4)	26/3-110	14-16, 21, 22, 38, 39	RE504195(X6)	26/2-89	19, 22	RE50833	26/117-241	157	RE52112	26/117-258	160, 162
			+RE504198(X1)			RE508449	60/161-143	237, 241	RE52114	26/117-276	182
RE48048	26/100-142P	136	RE504195(X8)	26/2-127	19	RE508833	60/111-276	236, 249, 250, 252-254	RE521348	26/1-85	21
RE48368	26/33-53	47, 49, 50, 53-55, 58	+RE529320(X1)						RE521348	26/1-85K	13, 21
			RE504196	26/7-89A	23	RE50868	26/33-157	54-56	RE521349	26/1-23	21
RE48380	26/34-155	54, 57	RE504196(X6)	26/2-89A	22	RE508953	60/111-213	239-241	RE521349	26/1-23K	13, 21
RE48469	26/33-151	51, 54, 55	+RE504199(X1)			RE508954	60/111-214	239-241	RE521350	26/8-12	13-18, 23
RE48583	26/143-94	177, 180-183, 185	RE504196(X6)	26/2-127A	19	RE509031	60/111-86	244-247	RE521350(X1)	26/2-12	13-19, 21, 23, 36-39, 41, 42
			+RE534183(X1)			RE509032	60/111-240	247, 248, 250-252	+RE27352(X3)	26/2-14	14-16, 22
RE48721	26/31-191	48	RE504197	26/7-89B	23				RE521350(X1)		
RE48724	26/31-194	48	RE504197(X1)	26/2-127B	19	RE509036	60/111-249	247, 248, 250-252	+RE27352(X4)		
RE48747	26/1-84K	14-16, 21	+RE534184(X1)						RE521350(X1)	26/2-16	17, 18, 21, 22
RE48748	26/1-24	21	RE504197(X8)	26/2-89B	22	RE509068	26/130-303	165	+RE27352(X8)		
RE48748	26/1-24K	14, 21	+RE504200(X1)			RE509208	60/111-87	244-247	RE521350(X1)	26/2-16	17, 18, 21, 22
RE48786	26/117-48	157-159, 161	RE504198	26/6-89	19, 23	RE509530	26/100-116	139-141	+RE27352(X6)		
RE48818	26/34-51	46-56	RE504198(X1)	26/2-89	19, 22	RE509540	26/33-181	51, 55, 56			
RE48826	26/86-22	91-93, 101	+RE504195(X6)			RE509596	60/111-248	249, 251, 253, 255	RE521616	26/130-329	171
RE48830	26/1-25K	17, 18, 21	RE504198(X1)	26/2-89	19, 22				RE521615	26/33-322	56
RE48882	60/4200-246	284	+RE529319(X6)			RE509598	26/130-329	171	RE521815	60/111-248	249, 251, 253, 255
RE49167	26/150-72	214	RE504199	26/8-89A	23	RE509672	60/97-241	249, 251, 253, 255	RE522372	60/111-248	249, 251, 253, 255
RE49211	26/33-53	47, 49, 50, 53-55, 58	RE504199(X1)	26/2-89A	22						
			+RE504196(X6)			RE50978	26/70-41	80	RE522687	60/111-250	249, 251, 253, 255
RE49540	26/130-327	171	RE504199(X1)	26/2-89A	22	RE50979	26/1-85	21			
RE49808	26/151-94	215	+RE534181(X6)			RE50979	26/1-85K	13, 21	RE522688	60/111-252	249, 251, 253, 255
RE500002	26/25-97	39-43	RE504200	26/8-89B	23	RE509813	26/131-211	167, 168, 170, 171			
RE500005	26/85-24	93-95, 98-100	RE504200(X1)	26/2-89B	22				RE522688	60/111-361	232, 233
RE500024	26/35-150	50, 51, 54, 55	+RE504197(X6)			RE509896	26/117-245	157	RE522878	60/111-272	248, 250
RE500210	26/33-306	47, 48	RE504200(X1)	26/2-89B	22	RE511921	26/117-242	157	RE523236	60/111-362	253, 255
RE500211	26/33-307	48	+RE534182(X6)			RE51497	26/90-89	103, 105, 107	RE523251	26/89-30	97-100
RE500214	26/130-327	171	RE504353	26/117-243	157	RE515037	26/33-310	52, 55, 56			



**CROSS REFERENCES**  
**REFERENCIAS ORIGINALES CRUZADAS**

OEM OEM	Ref. Ref.	Page Página	OEM OEM	Ref. Ref.	Page Página	OEM OEM	Ref. Ref.	Page Página	OEM OEM	Ref. Ref.	Page Página
RES24091	26/70-208	81	+RE27360(X3)			RES34183(X1)	26/2-127A	19	RES57178	26/8-89B	23
RES24092	26/71-209	81	RES527235(X1)	26/2-14B	22	+RES504196(X8)			RES57178(X1)	26/2-89B	22
RES24093	26/70-209	81	+RE27360(X4)			RES534183(X1)	26/2-127A	19	+RES57173(X6)		
RES24098	26/71-212	84	RES527235(X1)	26/2-16B	22	+RES534181(X6)			RES57186	26/71-191	87
RES24099	26/70-212	84	+RE27360(X6)			RES534183(X1)	26/2-127A	19	RES57187	26/70-191	87
RES24101	26/71-213	84	RES527236	26/8-12C	23	+RES7172(X6)			RES57188	26/34-195	56
RES24102	26/70-213	84	RES527236(X1)	26/2-12C	22	RES534184	26/8-127B	23	RES57279	26/8-15	23
RES24103	26/71-214	85, 87	+RE27368(X3)			RES534184(X1)	26/2-127B	19	RES57394	60/97-17	227, 231, 233-236, 246, 249, 252-254
RES24107	26/70-154	85	RES527236(X1)	26/2-14C	22	+RES504197(X1)					
RES24110	26/71-154	85	+RE27368(X4)			RES534184(X1)	26/2-127B	19			
RES24116	26/131-323	170, 171	RES527236(X1)	26/2-16C	22	+RES534182(X6)			RES57438	26/1-50K	18, 21
RES24182	26/70-214	85, 87	+RE27368(X6)			RES534184(X1)	26/2-127B	19	RES57468	26/117-133	157-161
RES24227	26/13-141	21, 24-27	RES527282	26/71-41	80	+RES57173(X6)			RES57498	26/136-9	206
RES24395	26/70-157	85	RES527283	26/71-45	84, 86	RES534185	26/8-89A	23	RES57512	26/33-157	54-56
RES24396	26/71-157	85	RES527284	26/70-40	80	RES534185(X8)	26/3-89A	22	RES57513	26/31-157	54, 56, 57
RES24397	26/131-325	170, 171	RES527288	26/70-216	85	RES53422	26/1-51	17, 19, 20	RES57517	26/34-157	54, 56, 57
RES24404	26/70-155	85, 87	RES527328	26/71-45	84, 86	RES534314	26/1-94	19	RES57664	26/1-24	21
RES24406	26/131-325	170, 171	RES527548	26/70-191	87	RES535300	26/1-86	19	RES57722	26/131-192	168, 170, 171
RES24409	26/71-155	85, 87	RES527550	26/71-191	87	RES535560	26/85-24	83-95, 98-100	RES57731	26/33-316	54, 57
RES24413	26/131-337	170, 171	RES527551	26/70-221	87	RES535728	26/100-124	133-135	RES57732	26/31-316	54, 57
RES24423	26/70-158	85, 87	RES527552	26/71-221	87	RES536083	26/31-327	52, 55, 56	RES58347	26/25-90	36, 38, 39, 41, 42
RES24429	26/71-158	85, 87	RES527843	26/31-326	52	RES53757	26/130-326	171			
RES24450	26/31-322	56	RES527844	26/34-326	52, 55, 56	RES53910	26/70-153	86	RES58350	26/131-327	171
RES24453	26/34-322	56	RES52850	26/1-82	18	RES54064	26/7101-14	156	RES58935	60/97-240	254, 255
RES24475	26/100-133	136	RES528652	26/143-103	182, 184, 186	RES54130	26/1-26K	17, 18, 21	RES59277	26/33-309	50, 51, 55
RES24582	26/143-102	181, 184-186				RES54898	26/105-52	145-151	RES59279	26/33-180	50, 51, 54
RES24624	26/70-156	85, 87	RES529318	26/9-127	19, 23, 44	RES54898	26/71-217	86	RES59296	26/6097-14	122-124
RES24626	26/71-214	85, 87	RES529318(X6)	26/3-127	19, 22, 44	RES54844	26/70-217	86	RES59298	26/70-217	122-124
RES24640	26/70-220	87	RES529319	26/7-89	19, 23	RES54883	26/1-53K	15, 16, 21	RES59582	26/90-90	104, 106
RES24745	26/70-42	81	RES529319(X6)	26/2-89	19, 22	RES55014	26/100-94	141	RES59646	26/130-211	167, 168, 170
RES24747	26/70-40	80	+RES504198(X1)			RES55343	26/90-29	102, 103, 105, 107	RES59754	26/2-244, 246, 248-250	
RES24748	26/70-43	81	RES529319(X6)	26/2-127	19						
RES24749	26/70-65	84	+RES29320(X1)			RES55390	26/100-95	131, 132, 135	RES59810	26/11-40	25-27
RES24751	26/70-151	81	RES529320	26/8-127	19, 23	RES55452	26/1-53	21	RES60021	60/111-61	238-243
RES24752	26/70-153	86	RES529320(X1)	26/2-127	19	RES55475	26/73-191	87	RES60062	26/117-133	157-161
RES24761	26/70-191	87	+RES504195(X6)			RES55512	26/33-181	51, 55, 56	RES60272	26/25-97	39-43
RES24988	26/150-184	214	RES529320(X1)	26/2-127	19	RES55622	26/1-86	19	RES60282	26/31-326	54
RES25003	26/70-44	84	+RES29319(X6)			RES55801	60/240-107	273, 275-279	RES60284	26/31-319	54, 57
RES25007	26/70-153	86	RES529421	26/86-26	95, 98, 99, 101	RES55987	26/117-258	180, 182	RES60288	26/31-155	54, 57
RES25008	26/70-217	86	RES529554	26/85-26	95, 98, 99	RES55985	26/130-325	170, 171	RES60290	26/31-153	53
RES25071	26/70-150	81	RES529643	60/111-273	248, 250	RES55986	26/130-328	171	RES60292	26/31-317	53
RES25523	60/111-362	253, 255	RES529644	60/111-264	245	RES55993	26/131-325	170, 171	RES60294	26/31-157	54, 56, 57
RES26258	26/70-221	87	RES529687	60/111-26	238, 241, 244	RES55994	26/131-325	170, 171	RES60297	26/31-316	54, 57
RES26557	60/111-178	245				RES56302	26/86-22	91-93, 101	RES60350	26/8-15	23
RES26686	26/71-42	81	RES530107	60/97-364	255	RES56349	26/93-3	109	RES60350(X1)	26/2-120	13, 21, 22
RES26667	26/71-44	84	RES530437	26/1-94	19	RES56350	26/93-4	109	+RE27352(X3)		
RES26668	26/71-43	81	RES53058	60/111-85	238, 239, 240	RES56690	26/6097-16	122-124	RES60350(X1)	26/2-15	14-16, 22
RES26689	26/71-217	86				RES56737	26/130-211	167, 168, 170	+RE27352(X4)		
RES26670	26/71-306	82, 83	RES530613	26/34-320	52, 55, 56	RES56792	26/1-95	21	RES60350(X1)	26/2-17	17, 18, 22
RES26671	26/71-308	82, 83	RES530616	26/31-320	52, 55, 56	RES57073	60/111-27	227, 230, 231, 233-236, 248, 249, 252-254	+RE27352(X6)		
RES26672	26/71-306	86	RES53073	26/31-151	51, 54, 55				RES60489	26/130-51P	164, 165, 167
RES26673	26/71-307	86	RES531221(X2)	26/42-94	67, 70, 71				RES60489	26/130-51P	164, 165
RES26729	26/71-221	87	RES53123	26/71-207	81	RES57153	26/117-274	162	RES60622	26/90-191	104, 106
RES26730	26/71-156	85, 87	RES53141	26/70-207	81	RES57154	26/130-329	171	RES60714	26/105-52	145-151
RES26754	26/8-12A	23	RES531436	26/117-237	159, 161	RES57165	26/9-89	19, 23, 44	RES61253	26/8-89	19
RES26754(X1)	26/2-12A	22	RES531437	26/117-243	167	RES57165(X6)	26/3-89	19, 22, 44	RES61260	26/100-68	130, 132
+RE27353(X3)			RES531703	60/111-250	249, 251, 253, 255	RES57167	26/0-89A	23	RES61270	26/33-194	48
RES26754(X1)	26/2-14A	22				RES57167(X6)	26/3-89A	23	RES61467	26/33-192	47, 48
+RE27353(X4)			RES53201	26/1-52	20	RES57170	26/7-89	19, 23	RES61552	60/111-241	254, 255
RES26754(X1)	26/2-16A	22	RES532631	26/70-225	86	RES57170(X6)	26/2-127	19	RES61712	26/130-302	165
+RE27353(X6)			RES53265	26/33-48	46, 49, 52	+RES29320(X1)			RES61714	26/130-304	166
RES26837	26/70-44	84	RES532713	26/70-224	83	RES57170(X6)	26/2-80	18, 22	RES61715	26/130-304	166
RES26878	26/70-207	81	RES532841	26/71-225	86	+RES57175(X1)			RES61767	26/8097-0	111-119
RES26891	26/71-207	81	RES532842	26/71-224	83	RES57172	26/7-89A	23	RES61769	26/6097-10	111, 117-120
RES26965	26/70-306	86	RES532952	60/111-364	255	RES57172(X6)	26/2-127A	19	RES61851	26/6-90	19
RES27008	26/71-223	83	RES533910	60/111-368	255	+RES534183(X1)			RES62148	26/50-20	72, 77, 78
RES27009	26/71-222	83	RES53400	60/111-26	238, 241, 244	RES57172(X6)	26/2-89A	22	RES62220	60/161-153	238
RES27010	26/70-223	83				+RES57177(X1)			RES62240	26/7101-13	156
RES27014	26/71-219	86	RES534181	26/7-89A	23	RES57173	26/7-89B	23	RES62418	60/111-85	238, 239, 240, 242, 243, 250
RES27015	26/70-218	86	RES534181(X6)	26/2-89A	22	RES57173(X6)	26/2-127B	19			
RES27022	26/70-45	84, 86	+RES504199(X1)			+RES534184(X1)			RES62419	60/111-26	238, 241, 244-252
RES27026	26/70-41	80	RES534181(X6)	26/2-127A	19	RES57173(X6)	26/2-89B	22			
RES27027	26/70-46	84	+RES534183(X1)			+RES57178(X1)			RES62423	60/111-276	236, 249, 250, 252-254
RES27039	26/33-326	52, 55, 56	RES534182	26/7-89B	23	RES57175	26/8-89	16, 23	RES62658	26/131-21	164-167
RES27042	26/70-306	82, 83	RES534182(X6)	26/2-89B	22	RES57175(X1)	26/2-89	19, 22	RES62659	26/131-23	164, 165, 167
RES27095	26/70-42	61	+RES504200(X1)			+RES57170(X6)			RES62660	26/131-24	167
RES27115	26/100-29	130-133	RES534182(X6)	26/2-127B	19	RES57177	26/8-89A	23	RES62661	26/131-22	168
RES27235	26/8-12B	23	+RES534184(X1)			RES57177(X1)	26/2-89A	22	RES62662	26/131-335	164, 165, 167
RES27235(X1)	26/2-12B	22	RES534183	26/8-127A	23	+RES57172(X6)					

Part numbers are quoted for reference purposes only.  
Our parts and accessories are not original.

**"THE RELIABLE SERVICE"**

Las referencias originales tienen un propósito identificativo. Nuestras piezas no son originales.

**CROSS REFERENCES**  
**REFERENCIAS ORIGINALES CRUZADAS**

OEM OEM	Ref. Ref.	Page Página	OEM OEM	Ref. Ref.	Page Página	OEM OEM	Ref. Ref.	Page Página	OEM OEM	Ref. Ref.	Page Página
RE62791	26/31-324	56	RE66153	26/100-124	133-135	RT7700059172	26/144-541	194	T20220	26/141-67	175, 177-180
RE62841	26/150-68	209	RE66271	26/34-180	47, 48, 50, 51, 54	SE500081	26/25-95	38, 41	T20277	26/141-5	175-179
RE62985	26/151-85	207, 209				SE500747	26/25-10	36, 38, 39, 41	T20283	26/6094-1	109
RE63083	26/71-156	85, 87	RE66820	26/34-51	46-56	SE500818(X4)	26/117-47	157-159, 161	T20294	26/85-7	90-93, 96-98, 100
RE63188	26/150-71	214	RE66968	26/31-192	47, 48	SE500819(X6)	26/117-47	157-159, 161		26/91-10	102-105
RE63292	26/1-88	17	RE67037	26/130-306	166	SE500820(X4)	26/117-233	157, 158, 161	T20296	26/53-3	72-76, 79
RE63293	26/1-52	20	RE67092	26/130-208	167	SE500821(X6)	26/117-233	157, 158, 161	T20310	26/149-1	175-180
RE63913	26/28-11	36, 38, 39, 41, 42	RE67124	60/161-30	248-250	SE500822(X4)	26/117-44	157-159	T20317	26/13-140	21, 24-27
			RE67185	26/130-305	166	SE500823(X6)	26/117-44	157-159	T20326	26/144-15	191, 193
RE63914	26/28-10	36, 38, 39, 41	RE67186	26/130-303	165	SE500824(X4)	26/117-46	157-159	T20334	26/73-44	84
RE63916	26/28-96	37	RE67333	26/150-164	214	SE500825(X6)	26/117-46	157-159	T20472	26/154-16	206, 207, 208
RE63931	60/161-363	254, 255	RE67426	26/31-194	48	SE500826(X4)	26/117-48	157-159, 161	T22500	26/75-40	80
RE63932	60/162-363	254, 255	RE67828	60/4200-255	285	SE500827(X6)	26/117-48	157-159, 161	T22769	26/6098-1	111, 115, 116, 119, 120
RE64205	26/150-72	214	RE67829	60/4200-252	285	SE500828(X4)	26/117-133	157-161	T22942	26/11-14A	21, 24-27
RE64206	26/70-220	87	RE67830	60/4200-245	283	SE500829(X6)	26/117-133	157-161		26/28-9	36, 38, 41
RE64266	26/117-272	162	RE67932	26/33-314	53, 55	SE500830(X4)	26/117-237	159, 161	T23270	26/33-46	46, 48, 49, 52
RE64290	26/71-210	82	RE68048	60/161-213	238-241	SE500831(X6)	26/117-237	159, 161	T23471	26/144-14	191, 193
RE64291	26/70-210	82	RE68049	60/162-213	238-241	SE500877	26/90-191	104, 106	T23481	26/144-527	191, 192, 193
RE64292	26/6119-4	163	RE68229	26/130-327	171	SE500911	26/130-328	171	T23505	26/153-16	206, 207
RE64293	26/71-206	80	RE68230	26/130-327	171	SE500912	26/130-325	170, 171	T23526	26/42-17A	71
RE64294	26/70-206	80	RE68316	26/131-327	171	SE500915	26/130-324	170, 171	T23533	26/42-17B	71
RE64354	26/143-95	177-179, 183, 185	RE68320	26/130-327	171	SE500916	26/130-210	170, 171	T23534	26/43-17C	71
			RE68895	26/100-123	133-135	SE500917	26/130-209	169	T23546	26/17-10	30-34
RE64392	26/117-271	162	RE68895	26/80-24	72-77	SE500919	26/130-312	167, 169	T23547	26/149-2	175-180
RE64449	60/111-85	238, 239, 240, 242, 243, 250	RE68715	26/135-4	204, 205	SE500923	26/130-318	169	T23548	26/75-41	80
RE64450	60/111-26	238, 241, 244-252	RE68978	26/71-45	84, 86	SE501097	26/117-47	157-159, 161	T23549	26/75-42	81, 82
			RE69054	60/574-28	280, 281	SE501098	26/117-233	157, 158, 161	T23551	26/59-5	28
			RE69243	26/89-24	93-95, 98-101	SE501099	26/117-44	157-159	T23596	26/59-4	28
RE64509	26/31-196	56	RE69393	26/31-314	53, 55	SE501100	26/117-46	157-159	T25469	26/141-69	175-177
RE64533	26/117-275	162	RE69561	26/143-104	187, 188	SE501101	26/117-48	157-159, 161	T25469	26/6098-19	111-114, 116, 117, 119, 120
RE65165	26/7-82	15, 16, 18, 23	RE69846	26/131-325	170, 171	SE501102	26/117-133	157-161	T24535	26/141-69	175-177
RE65165(X4)	26/2-82	15, 16, 22	RE69847	26/131-325	170, 171	SE501103	26/117-237	159, 161	T25365	26/6098-19	111-114, 116, 117, 119, 120
+RE65168(X1)			RE70143	26/131-24	167	SE501161	26/117-289	159	T25366	26/84-2	88, 89
RE65168(X8)	26/2-83	18, 22	RE70153	26/90-90	104, 106	SE501163(X4)	26/117-289	159	T25469	26/144-558	198
+RE65168(X1)			RE70236	26/150-174	209	SE501163(X6)	26/117-289	159	T25469	26/1-23C	21
RE65168	26/8-82	15, 16, 18, 23	RE70673	26/150-172	207	SE501166	26/117-262	160	T26321	26/153-18	211
RE65168(X1)	26/2-82	15, 16, 22	RE70683	26/130-211	167, 168, 170	SE501167(X6)	26/117-262	160	T25471	26/154-18	211
+RE65165(X4)			RE70688	26/33-195	56	SE501173	26/117-241	157	T25471	26/33-48	46, 49, 52
RE65168(X1)	26/2-83	18, 22	RE70689	26/33-324	56	SE501174(X3)	26/117-241	157	T26320	26/33-48	46, 49, 52
+RE65165(X8)			RE70733	26/150-171	207	SE501175	26/117-243	157	T26321	26/11-14A	21, 24-27
RE65201	26/6119-3	163	RE70742	60/4200-108	285	SE501176	26/117-243	157	T26755(X2)	26/35-46	46, 49, 52
RE65224	26/1-64	21	RE70962	26/131-211	167, 168, 170, 171	SE501176(X3)	26/117-243	157	T28041	26/35-48	46, 49, 52
RE65224	26/1-64K	14-16, 21				SE501177	26/117-244	157	T28425	26/141-69	175-177
RE65265	26/100-139P	136	RE70985	26/130-211	167, 168, 170	SE501178(X4)	26/117-244	157	T28426	26/6098-19	111-114, 116, 117, 119, 120
RE65431	60/111-276	236, 249, 250, 252-254	RE71240	26/131-330	167	SE501179	26/117-250	158	T30015	26/141-67	175, 177-180
			RE71439	26/1-95K	14, 21	SE501180(X4)	26/117-250	158	T30015	26/6088-7	130, 132, 134, 135
RE65580	26/90-89	103, 105, 107	RE71863	26/151-86	207, 209	T12815	26/141-67	175, 177-180	T30413	26/11-14A	21, 24-27
RE65880	60/161-36	248, 249	RE73220	60/4200-103	283	T13213	26/6088-7	90-93, 96	T31710	26/144-533	192
RE65908	26/9-82	15, 16, 18, 23, 39, 40, 42, 43	RG19279	26/131-325	170, 171	T16318	26/6110-2	135	T32340	26/35-46	46, 49, 52
			RG19280	26/131-325	170, 171				T32343	26/35-48	46, 49, 52
RE65908(X4)	26/3-81	15, 16, 22, 39, 40	RG22247	26/71-155	85, 87	T18783	26/141-87	175, 177-180	T60811	26/141-69	175-177
			RG22248	26/71-156	85, 87	T19044	60/97-7	223-235, 237-243, 245, 248	T60611	26/6098-19	111-114, 116, 117, 119, 120
RE65908(X6)	26/3-82	16, 22, 42, 43	RG23551	26/1-80	19, 20					26/141-67	175, 177-180
RE65909	26/9-82A	23	RG27871	26/71-157	85	T20009	26/26-7	38, 38, 41	TY22326	26/141-72	183, 187, 188
RE65909(X4)	26/3-81A	22	RG27872	26/70-157	85	T20034	26/84-1	88, 89	TY22404	26/6098-17	121
RE65909(X8)	26/3-82A	22	RG27873	26/70-214	85, 87	T20039	26/73-40	80	TY22423	26/6088-29	93, 96-98, 100
RE65911	26/7-82A	23	RG27874	26/71-214	85, 87	T20040	26/73-42	81	U12547		
RE65911(X4)	26/2-82A	22	RG27875	26/70-158	85, 87	T20046	26/11-14B	21, 24-27			
+RE65912(X1)			RG27876	26/71-158	85, 87	T20049	26/75-41	80			
RE65911(X8)	26/2-83A	22	RG27877	26/70-156	85, 87	T20050	26/6191-1	102, 103, 105, 108			
+RE65912(X1)			RG27878	26/70-156	85, 87						
RE65912	26/8-82A	23	RG27880	26/71-156	85, 87	T20061	26/75-42	81, 82			
RE65912(X1)	26/2-82A	22	RG27881	26/70-220	87	T20070	26/61-20	88, 89			
+RE65911(X4)			RG27883	26/71-155	85, 87	T20073	26/54-4	72-79			
RE65912(X1)	26/2-83A	22	RG27884	26/71-156	85, 87	T20075	26/74-43	81, 82			
+RE65911(X6)			RG28369	26/130-327	171	T20077	26/46-9	65, 66, 68-70			
RE65966	26/31-180	50, 51, 54	RG28370	26/130-327	171	T20085	26/35-45	46, 48, 52			
RE65967	26/31-309	50, 51, 55	RK136	26/131-53	169-171	T20088	26/15-6	30, 32, 33			
RE65969	26/31-181	51, 55, 56	RK137	26/131-324	170, 171	T20094	26/12-9	13, 14, 16-18, 21			
RE65970	26/131-211	167, 168, 170, 171	RK381	26/131-336	169						
			RK382	26/131-320	169	T20098	26/88-7	90-94			
RE66029	26/150-105	207, 209	RT6005003244	60/655-6	279-281	T20111	26/74-40	80			
RE66082	26/71-305	82, 83	RT6005007631	60/641-12	269, 270	T20129	26/49-1	65, 66, 68-70			
RE66083	26/71-306	86	RT6005011111	60/161-153	238	T20174	26/42-17	65, 66, 68, 71			
RE66084	26/71-308	82, 83	RT6005011112	60/162-153	238	T20175	26/43-17	65, 66, 68, 71			
RE66085	26/71-307	86	RT7700008490	60/4200-122	283	T20182	26/20-1	62-64			
RE66086	26/70-305	82, 83	RT7700018794	26/107-44	154	T20182	26/6020-1	21			
RE66087	26/70-306	86	RT7700051011	26/107-45	154, 155	T20193	26/6095-1	109			</

**REFERENCE INDEX**  
**INDICE DE LAS REFERENCIAS**

Ref. Ref.	Page Página	Ref. Ref.	Page Página	Ref. Ref.	Page Página	Ref. Ref.	Page Página
26/1-23	21	26/3-12	13, 21, 22, 36, 37	26/8-89B	23	26/28-30	39, 40, 42, 43
26/1-23B	21	26/3-12A	13, 21, 22, 36, 37	26/8-121	14, 17, 23	26/28-31	39, 40, 43
26/1-23C	21	26/3-12B	13, 21, 22, 36, 37	26/8-121A	23	26/28-90	37
26/1-23K	13, 21	26/3-12C	13, 21, 22, 36, 37	26/8-121B	23	26/28-99	37
26/1-24	21	26/3-14	14-16	26/8-121C	23	26/28-110	37
26/1-24K	14, 21	26/3-14A	22	26/8-127	19, 23	26/28-120	38
26/1-25	21	26/3-14B	22	26/8-127A	23	26/31-45	46, 48, 52
26/1-25K	17, 18, 21	26/3-14C	22	26/8-127B	23	26/31-46	46, 49, 52
26/1-50	21	26/3-16	17	26/9-12	13-18, 23, 36-39, 41,	26/31-47	46, 49
26/1-50K	18, 21	26/3-16A	22		42	26/31-48	46, 49, 52
26/1-51	17, 19, 20	26/3-16B	22	26/9-12A	23	26/31-49	46, 49, 52
26/1-52	20	26/3-16C	22	26/9-12B	23	26/31-50	46, 49, 52
26/1-53	21	26/3-51	17, 19, 22, 41, 42	26/9-12C	23	26/31-51	46, 47, 49, 50, 52
26/1-53K	15, 16, 21	26/3-51A	22	26/9-51	14, 15, 17, 19, 23,	26/31-53	47, 49, 50, 53-55
26/1-64	21	26/3-51B	22		38, 41-43	26/31-150	50, 51, 54
26/1-64K	14-16, 21	26/3-51C	22	26/9-51A	23	26/31-151	51, 54, 55
26/1-85	21	26/3-52	17, 19, 20	26/9-51B	23	26/31-152	53
26/1-85K	13, 21	26/3-52A	22	26/9-51C	23	26/31-153	53
26/1-86	19	26/3-52B	22	26/9-52	23	26/31-154	53, 55
26/1-88	17	26/3-52C	22	26/9-52A	23	26/31-155	54, 57
26/1-89	19, 20	26/3-81	15, 16, 22, 39, 40	26/9-52B	23	26/31-157	54, 56, 57
26/1-90	15, 16	26/3-81A	22	26/9-52C	23	26/31-160	50, 51, 54
26/1-91	15, 16	26/3-82	18, 22, 42, 43	26/9-65	23	26/31-161	51, 55, 56
26/1-92	18	26/3-82A	22	26/9-65A	23	26/31-191	48
26/1-93	18	26/3-89	19, 22, 44	26/9-65B	23	26/31-192	47, 48
26/1-94	19	26/3-89A	22	26/9-65C	23	26/31-194	48
26/1-95	21	26/3-108	14, 15, 22, 38	26/9-82	15, 16, 18, 23, 39,	26/31-195	56
26/1-95K	14, 21	26/3-108A	22		40, 42, 43	26/31-306	47, 48
26/2-12	13-19, 21, 23, 36-39,	26/3-108B	22	26/9-82A	23	26/31-307	48
	41, 42	26/3-108C	22	26/9-89	10, 23, 44	26/31-308	51
26/2-12A	22	26/3-110	14-16, 21, 22, 38, 39	26/9-89A	23	26/31-309	50, 51, 55
26/2-12B	22	26/3-110A	22	26/9-127	19, 23, 44	26/31-310	52, 55, 56
26/2-12C	22	26/3-110B	22	26/11-14	21, 24-27	26/31-311	50, 53
26/2-14	14-16, 22	26/3-110C	22	26/11-14A	21, 24-27	26/31-312	50, 53
26/2-14A	22	26/3-111	16, 21, 22, 42	26/11-14B	21, 24-27	26/31-313	50, 53
26/2-14B	22	26/3-111A	22	26/11-40	25-27	26/31-314	53, 55
26/2-14C	22	26/3-111B	22	26/11-51	25-28	26/31-315	50
26/2-15	14-16, 22	26/3-111C	22	26/12-9	13, 14, 16-18, 21	26/31-316	54, 57
26/2-15A	22	26/3-127	19, 22, 44	26/12-51	14, 15, 17, 19, 20	26/31-317	53
26/2-15B	22	26/6-11	13-18	26/12-80	10, 20	26/31-318	47
26/2-15C	22	26/6-12	13-18	26/12-90	13, 15, 21	26/31-319	54, 57
26/2-16	17, 18, 21, 22	26/6-51	14, 15, 17, 19, 20	26/12-91	15, 16, 18	26/31-320	52, 55, 56
26/2-16A	22	26/6-52	23	26/12-92	17, 19, 20	26/31-321	56
26/2-16B	22	26/6-89	19	26/12-93	20	26/31-322	56
26/2-16C	22	26/6-90	19	26/13-11	24-26	26/31-324	56
26/2-17	17, 18, 22	26/7-12	13-18, 23	26/13-51	25, 27, 28	26/31-325	54
26/2-17A	22	26/7-12A	23	26/13-140	21, 24-27	26/31-326	52
26/2-17B	22	26/7-12B	23	26/13-141	21, 24-27	26/31-327	52, 55, 56
26/2-17C	22	26/7-12C	23	26/15-6	30, 32, 33	26/33-46	46, 48, 49, 52
26/2-51	17, 19, 20, 22	26/7-51	14, 15, 17, 19, 20, 23	26/15-20	31-35	26/33-48	46, 49, 52
26/2-51A	22	26/7-51A	23	26/17-10	30-34	26/33-49	46, 49, 52
26/2-51B	22	26/7-51B	23	26/17-17	32-34	26/33-50	46, 49, 52
26/2-51C	22	26/7-51C	23	26/17-18	30, 31	26/33-51	46, 47, 49, 50, 52
26/2-82	15, 16, 22	26/7-82	15, 16, 18, 23	26/17-19	31, 33-35	26/33-52	47, 49, 50, 53-55
26/2-82A	22	26/7-82A	23	26/17-20	31	26/33-53	47, 49, 50, 53-55, 58
26/2-83	18, 22	26/7-89	19, 23	26/17-21	31, 32	26/33-160	50, 51, 54
26/2-83A	22	26/7-89A	23	26/17-23	33	26/33-151	51, 54, 55
26/2-89	19, 22	26/7-89B	23	26/20-1	62-64	26/33-152	53
26/2-89A	22	26/7-121	14, 23	26/20-2	63, 64	26/33-153	53
26/2-89B	22	26/7-121A	23	26/25-0	36, 38, 41	26/33-154	53, 55
26/2-108	14, 15, 22	26/7-121B	23	26/25-10	36, 38, 39, 41	26/33-155	54, 57
26/2-108A	22	26/7-121C	23	26/25-90	36, 38, 39, 41, 42	26/33-157	54-56
26/2-108B	22	26/9-12	13-18, 23	26/25-95	38, 41	26/33-180	50, 51, 54
26/2-108C	22	26/8-12A	23	26/25-97	39-43	26/33-181	51, 55, 56
26/2-120	13, 21, 22	26/8-12B	23	26/25-98	39, 40, 43	26/33-191	48
26/2-120A	22	26/8-12C	23	26/26-7	36, 38, 41	26/33-192	47, 48
26/2-120B	22	26/8-15	23	26/26-8	36-38, 41, 42	26/33-194	48
26/2-120C	22	26/8-15A	23	26/26-9	39, 42	26/33-195	56
26/2-121	14, 22	26/8-15B	23	26/26-10	38, 41-44	26/33-306	47, 48
26/2-121A	22	26/8-15C	23	26/26-12	40, 42, 43	26/33-307	48
26/2-121B	22	26/8-51	14, 15, 17, 19, 20,	26/26-03	36, 37, 39, 40, 42, 43,	26/33-308	51
26/2-121C	22		23, 25, 27, 28	26/26-94	44	26/33-309	50, 51, 55
26/2-122	17, 22	26/8-51A	23	26/28-9	36, 38, 41	26/33-310	52, 55, 56
26/2-122A	22	26/8-51B	23	26/28-10	36, 38, 39, 41	26/33-311	50, 53
26/2-122B	22	26/8-51C	23	26/28-11	36, 38, 39, 41, 42	26/33-313	50, 53
26/2-122C	22	26/8-82	15, 16, 18, 23	26/28-20	38, 41	26/33-314	53, 55
26/2-127	19	26/8-82A	23	26/28-21	42, 43	26/33-315	50
26/2-127A	19	26/8-89	18, 23	26/28-22	42-44	26/33-316	54, 57
26/2-127B	19	26/8-89A	23	26/28-25	42, 44	26/33-317	53

Part numbers are quoted for reference purposes only.  
 Our parts and accessories are not original.

**"THE RELIABLE SERVICE"**

Las referencias originales tienen un propósito identificativo. Nuestras piezas no son originales.

**REFERENCE INDEX**  
**INDICE DE LAS REFERENCIAS**

Ref. Ref.	Page Página	Ref. Ref.	Page Página	Ref. Ref.	Page Página	Ref. Ref.	Page Página
26/33-318	47	26/43-17C	71	26/70-212	84	26/75-43	81, 82
26/33-319	54, 57	26/43-89	66, 68, 71	26/70-213	84	26/75-45	84-86
26/33-321	56	26/43-90	66, 68, 71	26/70-214	85, 87	26/75-46	84, 85, 87
26/33-322	56	26/43-93	67, 69-71	26/70-216	85	26/75-156	87
26/33-324	56	26/43-150	65-67, 69-71	26/70-217	86	26/75-191	87
26/33-325	54	26/43-150B	71	26/70-218	86	26/75-208	81
26/33-326	52, 55, 56	26/43-150C	71	26/70-220	87	26/75-223	83
26/34-46	46, 48, 49, 52	26/43-151	66, 68, 70, 71	26/70-221	87	26/75-224	86
26/34-48	46, 49, 52	26/43-151A	71	26/70-223	83	26/75-226	84
26/34-51	46-56	26/43-151B	71	26/70-224	83	26/75-306	86
26/34-152	53	26/43-151C	71	26/70-225	86	26/75-310	82
26/34-153	53	26/43-152	68, 70, 71	26/70-305	82, 83	26/75-311	82
26/34-154	53, 55	26/43-152A	71	26/70-306	86	26/81-20	88, 89
26/34-155	54, 57	26/43-152B	71	26/71-40	80	26/82-5	88, 89
26/34-157	54, 56, 57	26/43-152C	71	26/71-41	80	26/82-6	88, 89
26/34-180	47, 48, 50, 51, 54	26/43-153	69-71	26/71-42	81	26/84-1	88, 89
26/34-195	56	26/43-153A	71	26/71-43	81	26/84-2	88, 89
26/34-311	50, 53	26/43-153B	71	26/71-44	84	26/85-7	90-93, 96-98, 100
26/34-320	52, 55, 56	26/43-153C	71	26/71-45	84, 86	26/85-23	90-99
26/34-322	56	26/45-10	66-70	26/71-154	85	26/85-24	93-95, 98-100
26/34-326	52, 55, 56	26/45-23	69, 70	26/71-155	85, 87	26/85-25	98, 99
26/35-45	46, 48, 52	26/45-93	67, 69	26/71-156	85, 87	26/85-26	95, 98, 99
26/35-46	46, 49, 52	26/45-94	67, 70	26/71-157	85	26/86-11	90, 92, 93, 96, 101
26/35-47	46, 49	26/46-9	65, 66, 68-70	26/71-158	85, 87	26/86-21	90, 91, 93, 94, 96-99, 101
26/35-48	46, 49, 52	26/46-10	65-67, 69, 70	26/71-191	87		
26/35-51	46, 47, 49, 50, 52-55	26/47-17	65, 66, 68	26/71-206	80	26/86-22	91-93, 101
26/35-53	47, 48	26/47-18	65, 66	26/71-207	81	26/86-23	92, 93, 101
26/35-149	50-52, 54-56	26/47-153	69, 70	26/71-208	81	26/86-24	93-95, 98-101
26/35-150	50, 51, 54, 55	26/47-154	70	26/71-209	81	26/86-25	94, 95, 97-99, 101
26/35-152	50, 53, 60	26/47-191	65-67, 69	26/71-210	82	26/86-26	95, 98, 99, 101
26/35-154	53, 55	26/49-1	65, 66, 68-70	26/71-212	84	26/86-27	96, 97, 100, 101
26/35-155	53, 54, 56, 57	26/50-3	72, 73, 75-79	26/71-213	84	26/87-6	102, 103
26/35-195	56	26/50-20	72, 77, 78	26/71-214	85, 87	26/87-7	102, 105
26/35-311	50, 53, 60	26/50-24	72-77	26/71-216	85	26/88-7	90-94
26/35-318	47	26/53-3	72-76, 79	26/71-217	85	26/88-8	90-93, 96
26/35-320	52, 55, 56	26/53-20	72, 74, 76, 79	26/71-218	86	26/88-20	91, 94, 95, 97-100
26/37-1	46, 48, 52	26/53-21	73, 74, 76-79	26/71-219	86	26/88-22	91, 93-95, 97-99
26/37-2	46, 49, 52	26/53-24	73-79	26/71-221	87	26/88-28	93, 96-98, 100
26/37-3	46, 49	26/53-29	77	26/71-222	83	26/88-29	96, 97-100
26/37-4	46, 49, 52	26/54-4	72-79	26/71-223	83	26/88-30	97-100
26/37-5	46-56	26/54-20	72, 79	26/71-224	83	26/90-29	102, 103, 105, 107
26/37-153	53, 54, 56, 57	26/54-22	73, 75, 79	26/71-225	86	26/90-29A	107
26/37-311	50, 53	26/54-23	73, 75, 77, 78, 79	26/71-305	82, 83	26/90-29B	107
26/37-313	50, 53	26/54-24	73-77, 79	26/71-306	86	26/90-29C	107
26/41-90	66, 68	26/54-27	76, 78, 79	26/71-307	86	26/90-29D	107
26/42-17	65, 66, 68, 71	26/54-28	76, 78, 79	26/71-308	82, 83	26/90-87	102-105
26/42-17A	71	26/56-20	72-77	26/73-40	80	26/90-88	102, 103
26/42-17B	71	26/56-22	73, 75, 77, 78	26/73-41	80	26/90-89	103, 105, 107
26/42-17C	71	26/56-28	76, 78	26/73-42	81	26/90-88A	107
26/42-18	65, 66, 68, 71	26/59-4	28	26/73-43	81, 82	26/90-88B	107
26/42-18A	71	26/59-5	28	26/73-44	84	26/90-89C	107
26/42-18B	71	26/60-5	126-128	26/73-45	84-86	26/90-89D	107
26/42-18C	71	26/60-6	126, 127	26/73-153	85	26/90-90	104, 106
26/42-89	66, 68, 71	26/60-7	126-129	26/73-154	84, 85, 87	26/90-91D	107
26/42-90	66, 68, 71	26/60-54	126-129	26/73-156	85, 87	26/90-92	103, 105, 107
26/42-93	67, 68, 71	26/60-55	126-129	26/73-157	85	26/90-92A	107
26/42-94	67, 70, 71	26/61-1	126-129	26/73-191	87	26/90-191	104, 106
26/42-95	68, 70, 71	26/70-40	80	26/73-208	81	26/91-10	102-105
26/42-95A	71	26/70-41	80	26/73-209	81	26/91-11	102, 103
26/42-95B	71	26/70-42	81	26/73-212	84	26/91-12	104, 106
26/42-95C	71	26/70-43	81	26/73-305	82, 83	26/93-3	109
26/42-150	65-67, 69-71	26/70-44	84	26/73-306	86	26/93-4	109
26/42-150B	71	26/70-45	84, 86	26/74-40	80	26/93-5	109, 110
26/42-150C	71	26/70-46	84	26/74-43	81, 82	26/93-6	109, 110
26/42-151	66, 68, 71	26/70-55	84	26/74-45	84, 85, 86	26/93-7	110
26/42-151A	71	26/70-150	81	26/74-206	80-82	26/93-8	110
26/42-151B	71	26/70-151	81	26/74-208	81	60/97-7	223-235, 237-243, 245, 248
26/42-151C	71	26/70-153	86	26/74-212	84, 85, 87		
26/42-152	68, 70, 71	26/70-154	85	26/74-218	81	60/97-17	227, 231, 233-236, 248, 249, 252-254
26/42-152A	71	26/70-155	85, 87	26/74-221	87		
26/42-152B	71	26/70-156	85, 87	26/74-222	87	60/97-20	225, 227, 230, 231, 233
26/42-152C	71	26/70-157	85	26/74-223	83		
26/42-153	69-71	26/70-158	85, 87	26/74-224	83	60/97-45	238
26/42-153A	71	26/70-191	87	26/74-225	86	60/97-85	242-244, 246, 248-250
26/42-153B	71	26/70-206	80	26/74-305	82, 83		
26/42-153C	71	26/70-207	81	26/74-306	86	60/97-88	242-248, 250-252
26/43-17	65, 66, 68, 71	26/70-208	81	26/75-40	80	60/97-174	239, 240
26/43-17A	71	26/70-209	81	26/75-41	80	60/97-240	254, 255
26/43-17B	71	26/70-210	82	26/75-42	81, 82	60/97-241	249, 251, 253, 255

Part numbers are quoted for reference purposes only.  
 Our parts and accessories are not original.

**"THE RELIABLE SERVICE"**

Las referencias originales tienen un propósito identificativo. Nuestras piezas no son originales.

**REFERENCE INDEX**  
**INDICE DE LAS REFERENCIAS**

Ref. Ref.	Page Página	Ref. Ref.	Page Página	Ref. Ref.	Page Página	Ref. Ref.	Page Página
60/97-243	237	60/111-264	245	26/130-309	167	26/144-117	195
60/97-246	236, 237	60/111-272	248, 250	26/130-311	167	26/144-118	196, 199
60/97-256	223-225, 227	60/111-273	240, 250	26/130-312	167, 169	26/144-119	195, 196, 199
60/97-258	236, 237	60/111-274	223-225	26/130-316	169	26/144-120	196, 199, 200
60/97-364	255	60/111-275	224, 225	26/130-317	169	26/144-121	197, 199
26/100-21	130-133	60/111-276	236, 249, 250, 252-254	26/130-318	169	26/144-122	197, 199
26/100-26	130, 132, 134			26/130-324	170, 171	26/144-150	198, 199, 202
26/100-29	130-133	60/111-277	157, 233-236, 248-251	26/130-325	170, 171	26/144-527	191, 192, 193
60/100-67	137, 231-235			26/130-326	171	26/144-528	192
26/100-68	130, 132	60/111-278	254	26/130-327	171	26/144-529	191, 193
26/100-90	139-141	60/111-359	237	26/130-328	171	26/144-531	192, 193
26/100-94	141	60/111-361	232, 233	26/130-329	171	26/144-533	192
26/100-95	131, 132, 135	60/111-362	253, 255	26/131-21	164-167	26/144-535	192
26/100-115	138-141	60/111-363	254, 255	26/131-22	168	26/144-536	192, 194
26/100-116	139-141	60/111-364	255	26/131-23	164, 165, 167	26/144-540	194
26/100-121	130-134	60/111-368	255	26/131-24	167	26/144-541	194
26/100-122	132, 134	26/117-44	157-159	26/131-50	169	26/144-542	194
26/100-123	133-135	26/117-46	157-159	26/131-51	167, 169	26/144-543	194
26/100-124	133-135	26/117-47	157-159, 161	26/131-52	167, 169	26/144-544	194
26/100-125	134	26/117-48	157-159, 161	26/131-53	169-171	26/144-548	194
26/100-126	134	26/117-133	157-161	26/131-192	168, 170, 171	26/144-549	193
26/100-127	131-133, 135	26/117-141	161, 162	26/131-211	167, 168, 170, 171	26/144-550	197, 198
26/100-128	138-141	26/117-142	159, 160	26/131-320	169	26/144-551	193, 197, 198
26/100-129	138-141	26/117-143	159, 160	26/131-323	170, 171	26/144-555	198
26/100-130	138	26/117-233	157, 158, 161	26/131-324	170, 171	26/144-557	198
26/100-131	136	26/117-237	159, 161	26/131-325	170, 171	26/144-558	198
26/100-133	136	26/117-239	157	26/131-327	171	26/144-559	198
26/100-135	136	26/117-240	157	26/131-330	167	26/144-560	198, 199
26/100-136	136	26/117-241	157	26/131-335	164, 165, 167	26/144-568	198
26/100-137	136	26/117-242	157	26/131-336	169	26/144-569	198, 202
26/100-138	136	26/117-243	157	26/131-337	170, 171	26/144-570	198
26/100-139P	136	26/117-244	157	26/135-3	204	26/144-572	198
26/100-142P	136	26/117-245	157	26/135-4	204, 205	26/144-573	198, 199
26/100-150	136	26/117-246	157, 158	26/135-7	204	26/144-576	197
26/100-150P	136	26/117-247	158	26/135-9	205	26/144-577	197
26/103-7	144-151	26/117-250	158	26/135-10	205	26/144-578	195, 199
26/103-17	144-150	26/117-252	160	26/135-11	205	26/144-579	195, 196, 199
26/105-5	144-150	26/117-253	159	26/141-5	175-179	26/144-580	195, 196, 199
26/105-9	144-150	26/117-258	160, 162	26/141-6	179	26/144-581	195
26/105-50	145-151	26/117-260	160-162	26/141-8	175, 176, 178-180	26/144-582	195
26/105-51	145-151	26/117-261	160, 161	26/141-67	175, 177-180	26/144-583	196
26/105-52	145-151	26/117-262	160	26/141-68	175, 176	26/144-584	199
26/107-41	154, 155	26/117-263	160, 161	26/141-69	175-177	26/144-585	196, 199
26/107-42	154, 155	26/117-264	160	26/141-70	177, 178	26/144-586	196, 199
26/107-43	154, 155	26/117-265	160-162	26/141-71	180	26/144-587	199
26/107-44	154	26/117-267	161-163	26/141-72	183, 187, 188	26/144-588	196, 199
26/107-45	154, 155	26/117-271	162	26/141-73	177, 178, 180-186	26/144-589	195-197, 199, 200
26/107-46	155	26/117-272	162	26/143-10	175-179, 181, 183-186	26/144-590	195, 196, 199, 200
60/111-3	223, 234, 235	26/117-273	162			26/144-591	197, 199
60/111-12	223-235	26/117-274	162	26/143-11	175, 176, 178, 179	26/144-592	195, 196, 199, 200
60/111-26	238, 241, 244-252	26/117-275	162	26/143-12	175-180	26/144-593	195-197, 199, 200
60/111-27	227, 230, 231, 233-236, 248, 249, 252-254	26/117-276	162	26/143-14	180-188	26/144-594	197, 199, 200
		26/117-277	163	26/143-94	177, 180-183, 185	26/144-595	197, 199, 200
		26/117-289	159	26/143-95	177-179, 183, 185	26/144-596	197, 199, 200
60/111-28	223	26/119-2	163	26/143-96	177, 178, 180	26/144-597	197, 199
60/111-29	227, 231, 233, 235, 236, 248	26/119-3	163	26/143-100	180-182, 184, 186	26/144-598	199, 200
		26/119-8	163	26/143-102	181, 184-186	26/144-599	199, 200
60/111-33	237, 238	26/130-41	164-166	26/143-103	182, 184, 186-188	26/144-600	199, 200
60/111-61	238-243	26/130-41P	164-166	26/143-104	187, 188	26/144-603	200
60/111-85	238, 239, 240, 242, 243, 250	26/130-51	164, 165, 167	26/144-14	191, 193	26/144-604	200
		26/130-51P	164, 165	26/144-15	191, 193	26/144-606	200, 201
60/111-86	244-247	26/130-192	168, 170	26/144-16	191-193, 197	26/144-607	200, 201
60/111-87	244-247	26/130-195	169	26/144-17	194, 197	26/144-608	200
60/111-97	137, 250, 251	26/130-208	167	26/144-18	197	26/144-609	200
60/111-152	234, 236	26/130-209	169	26/144-19	192, 197	26/144-610	197, 201
60/111-178	245	26/130-210	170, 171	26/144-20	198	26/144-611	201
60/111-213	239-241	26/130-211	167, 168, 170	26/144-50	191, 182	26/144-612	201
60/111-214	239-241	26/130-297	164, 166	26/144-51	192, 193	26/144-613	201
60/111-240	247, 248, 250-252	26/130-298	164, 166	26/144-52	193, 194	26/144-614	201
60/111-241	254, 255	26/130-299	165	26/144-53	197, 198	26/144-615	201
60/111-244	254, 255	26/130-300	165	26/144-54	197, 198	26/144-616	201
60/111-245	244, 246, 249, 250	26/130-301	165	26/144-55	198	26/144-617	201
60/111-247	249, 251, 253, 255	26/130-302	165	26/144-110	195, 196	26/144-618	201
60/111-248	249, 251, 253, 255	26/130-303	165	26/144-111	196, 199	26/144-619	201
60/111-249	247, 248, 250-252	26/130-304	166	26/144-112	195, 196	26/144-620	201
60/111-250	249, 251, 253, 255	26/130-305	166	26/144-113	201	26/144-621	201
60/111-252	249, 251, 253, 255	26/130-306	166	26/144-114	195-197, 199, 200	26/144-622	201, 202
60/111-254	237	26/130-307	166	26/144-115	199	26/144-623	201, 202
60/111-255	227, 231, 234, 236	26/130-308	166	26/144-116	196, 197, 199, 201	26/144-624	201

Part numbers are quoted for reference purposes only.  
Our parts and accessories are not original.

**"THE RELIABLE SERVICE"**

Las referencias originales tienen un propósito identificativo. Nuestras piezas no son originales.

**REFERENCE INDEX**  
**INDICE DE LAS REFERENCIAS**

Ref. Ref.	Page Página	Ref. Ref.	Page Página	Ref. Ref.	Page Página	Ref. Ref.	Page Página
26/144-627	201, 202	26/151-91	209-215	60/161-7	223-229, 231, 238	60/162-246	234, 236, 237
26/144-629	202	26/151-92	209, 210, 212-215	60/161-8	223-229, 231, 232, 234, 237	60/162-355	227
26/144-630	202	26/151-93	214	60/161-9	225, 227-229	60/162-356	231
26/144-631	202	26/151-94	215	60/161-10	228, 230, 232, 233	60/162-358	235, 236
26/144-633	202	26/152-2	206-209, 211, 212, 214, 215	60/161-11	227, 230, 233	60/162-360	241, 242
26/144-635	202			60/161-30	248-250	60/162-362	253
26/144-636	202	26/152-6	206-209, 212	60/161-31	233, 235, 238	60/162-363	254, 255
26/144-637	202	26/152-11	209, 210, 212-214	60/161-32	243, 244, 246, 248	60/162-364	255
26/144-638	202	26/152-12	210, 211, 213, 215	60/161-34	245, 246, 248, 249	60/162-365	227, 228
26/144-639	202	26/153-16	206, 207	60/161-35	232, 233, 235, 244	60/162-366	231
26/144-640	202	26/153-17	206, 208	60/161-36	248, 249	26/172-6	144, 146, 147, 149
26/144-641	202	26/153-18	211	60/161-37	225, 227, 230, 233, 235	26/172-15	146, 147
26/144-647	202	26/153-19	211			26/172-111	146
26/145-19	203	26/153-20	206, 207	60/161-62	223-225, 256, 258	26/172-113	144
26/145-20	203	26/153-21	208, 209	60/161-75	237	26/172-117	144
26/147-3	175-180	26/153-22	211, 212	60/161-102	238, 242	26/172-118	147, 149, 150
26/147-4	181-186	26/153-70	208	60/161-143	237, 241	26/180-33	126-129
26/147-76	175-180	26/153-301	206	60/161-150	230, 233, 235	60/240-1	260-265
26/147-77	177, 178, 180, 182, 184-186	26/153-302	206, 207	60/161-151	252, 253	60/240-2	260-268
		26/153-303	206, 207	60/161-152	227, 230, 231, 234, 236	60/240-3	263, 265, 267-269
26/147-80	180, 181, 184, 186	26/153-304	207			60/240-16	269
26/147-81	180, 181, 184, 186	26/153-305	207, 209	60/161-153	238	60/240-73	269
26/147-82	182, 184, 186-188	26/153-306	208, 209	60/161-154	243	60/240-107	273, 275-279
26/147-83	182, 184, 186	26/153-307	208, 209	60/161-174	239-243	60/240-108	273-279
26/147-84	182, 183, 185, 187, 188	26/153-309	209	60/161-176	244-248, 250-252	60/240-240	267
		26/153-310	209	60/161-179	246-248, 250-252	60/240-260	260-265, 267-269
26/147-85	183	26/153-311	209	60/161-213	238-241	60/240-261	264-268
26/147-86	187, 188	26/153-312	209, 210	60/161-220	246	60/240-262	266
26/149-1	175-180	26/153-313	210	60/161-241	246, 249	60/574-24	269
26/149-2	175-180	26/153-314	210, 211	60/161-242	225	60/574-28	280, 281
26/149-8	175-180	26/153-315	210	60/161-243	250-252	60/625-13	269
26/149-9	177	26/153-316	210	60/161-245	253	60/641-10	277-280
26/149-10	177, 178	26/153-317	210	60/161-246	234, 236, 237	60/641-12	269, 270
26/149-11	180, 182	26/153-318	210	60/161-350	223, 224	60/641-29	277, 278
26/149-13	180, 181, 184, 186	26/153-319	211	60/161-351	224	60/641-30	272-276
26/149-25	185	26/153-320	212	60/161-352	225	60/641-31	273, 274, 276, 278, 279
26/149-26	186	26/153-321	212	60/161-353	225		
26/150-36	208, 209	26/153-323	212	60/161-354	225	60/641-33	270, 271
26/150-37	206, 207	26/153-324	212, 213, 214	60/161-355	227	60/641-240	278, 279, 281
26/150-38	206, 208	26/153-325	212, 213	60/161-356	231	60/641-242	278, 279
26/150-63	206, 207	26/153-326	213, 215	60/161-357	231, 232, 234, 235	60/641-243	280, 281
26/150-64	211	26/153-327	213, 215	60/161-358	235, 236	60/641-244	269
26/150-65	211	26/153-328	213, 215	60/161-360	241, 242	60/641-246	269
26/150-66	208	26/153-329	214	60/161-361	242, 243	60/641-247	264-268, 272-281
26/150-67	211	26/153-330	214	60/161-362	253	60/641-256	272, 273, 275
26/150-68	209	26/153-331	214	60/161-363	254, 255	60/641-257	273, 275
26/150-69	215	26/153-332	214	60/161-364	255	60/641-258	274, 277, 279
26/150-70	212	26/153-333	214	60/162-8	223-229, 231, 232, 234, 235, 237	60/641-259	280
26/150-71	214	26/153-334	214			60/641-260	264-268, 280
26/150-72	214	26/153-335	206, 208	60/162-9	227, 229	60/655-6	279-281
26/150-75	209	26/153-337	215	60/162-10	229, 230, 232, 233	60/655-14	264, 265, 267, 268
26/150-102	206	26/153-338	215	60/162-11	227, 230, 233	60/655-21	270, 272, 273, 275, 277
26/150-103	207	26/154-16	206, 207, 208	60/162-30	248-250		
26/150-104	208, 209	26/154-18	211	60/162-31	233, 235, 238	60/655-22	271
26/150-105	207, 209	26/154-21	208, 209	60/162-32	243, 244, 246, 248	60/655-23	272
26/150-169	206	26/154-22	211, 212	60/162-34	245, 246, 248, 249	60/4200-18	283
26/150-171	207	26/154-23	212	60/162-35	232, 233, 235	60/4200-103	283
26/150-172	207	26/154-70	208	60/162-36	248, 249	60/4200-103A	283
26/150-174	209	26/154-302	206, 207	60/162-37	225, 227, 228, 233, 235	60/4200-104	283
26/150-175	210	26/154-303	206, 207			60/4200-104A	283
26/150-177	212	26/154-304	207, 209	60/162-75	237	60/4200-106	285
26/150-179	212, 213	26/154-305	208, 209	60/162-102	238, 242	60/4200-106A	285
26/150-179	212, 213, 214	26/154-306	209	60/162-103	238	60/4200-108	284
26/150-180	213	26/154-307	209	60/162-143	238, 241	60/4200-108A	284
26/150-181	213, 214	26/154-308	209, 210	60/162-150	230, 233, 235	60/4200-122	283
26/150-182	212, 213	26/154-309	212, 214	60/162-151	252, 253	60/4200-203A	284
26/150-183	213	26/154-310	209, 210, 212	60/162-152	227, 230, 231, 234, 236	60/4200-204A	284
26/150-184	214	26/154-311	210214			60/4200-240	284
26/150-185	215	26/154-312	210, 211, 213, 215	60/162-153	238	60/4200-241	284
26/150-186	215	26/154-313	211	60/162-154	243	60/4200-242A	284
26/151-9	206-209, 211	26/154-314	212	60/162-164	246	60/4200-243	284
26/151-10	206-208, 211, 212	26/154-318	214	60/162-174	239-243	60/4200-244	283
26/151-20	208, 211	26/154-319	214	60/162-178	244-248, 250-252	60/4200-245	283
26/151-84	206-209, 212	26/154-320	214	60/162-213	238-241	60/4200-246	284
26/151-85	207, 209	26/154-321	214	60/162-240	244	60/4200-247A	285
26/151-86	207, 209	26/154-322	214	60/162-241	246, 249	60/4200-248	284
26/151-87	208	26/154-337	215	60/162-242	225	60/4200-249A	284
26/151-89	212	26/154-338	215	60/162-243	250, 252	60/4200-252	285
26/151-90	212	60/156-3	237	60/162-245	253	60/4200-254	285

Part numbers are quoted for reference purposes only.  
 Our parts and accessories are not original.

**"THE RELIABLE SERVICE"**

Las referencias originales tienen un propósito identificativo. Nuestras piezas no son originales.

**REFERENCE INDEX**  
**INDICE DE LAS REFERENCIAS**

Ref. Ref.	Page Página	Ref. Ref.	Page Página	Ref. Ref.	Page Página	Ref. Ref.	Page Página
60/4200-255	285						
60/4200-256A	285						
60/4200-257	285						
60/4200-260	285						
60/4200-285	283						
26/6011-1	21, 24-27						
26/6019-1	21						
26/6020-1	21						
26/6088-7	90-93, 96						
26/6088-8	90-92, 94-99						
26/6088-20	91, 94, 95, 97-100						
26/6088-28	93, 96-98, 100						
26/6088-29	93, 96-98, 100						
26/6088-30	97-100						
26/6094-1	109						
26/6094-2	110						
26/6094-3	109, 110						
26/6094-4	109, 110						
26/6095-1	109						
26/6095-2	110						
26/6095-3	109, 110						
26/6097-1	111, 112, 114-120						
26/6097-9	111-119						
26/6097-10	111, 117-120						
26/6097-11	120, 121						
26/6097-12	123, 124						
26/6097-13	123, 124						
26/6097-14	122-124						
26/6097-15	122-124						
26/6097-16	122-124						
26/6098-1	111, 115, 116, 119, 120						
26/6098-2	111, 115						
26/6098-3	111-120						
26/6098-4	111, 114-120						
26/6098-5	111-114, 116, 117, 119, 120						
26/6098-6	111-120						
26/6098-7	114, 118, 120						
26/6098-8	117						
26/6098-9	117, 118						
26/6098-10	117, 118						
26/6098-11	118						
26/6098-12	118						
26/6098-13	120						
26/6098-14	120						
26/6098-15	120						
26/6098-16	111-120						
26/6098-17	121						
26/6098-18	111, 120						
26/6098-19	111-114, 116, 117, 118, 120						
26/6098-20	120						
26/6099-1	144						
26/6099-2	144, 146						
26/6099-3	146						
26/6099-10	146, 147						
26/6110-1	130-134						
26/6110-2	130, 132, 134, 135						
26/6110-3	133, 134, 135						
26/6110-4	134						
26/6110-5	136						
26/6119-2	163						
26/6119-3	163						
26/6119-4	163						
26/6120-2	163						
26/6120-3	163						
26/6191-1	102, 103, 105, 108						
26/6191-2	102-105, 108						
26/6191-3	102-105, 108						
26/6191-4	104, 106, 108						
26/7101-13	156						
26/7101-14	156						
26/7101-15	156						

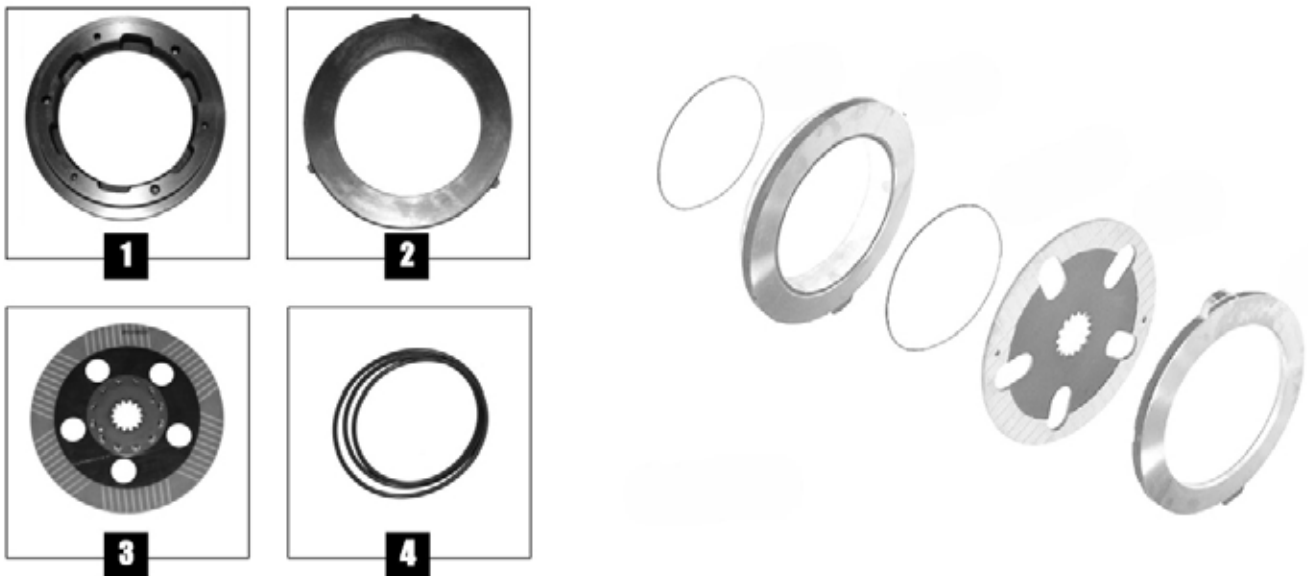
Part numbers are quoted for reference purposes only.  
 Our parts and accessories are not original.


**"THE RELIABLE SERVICE"**

Las referencias originales tienen un propósito identificativo. Nuestras piezas no son originales.

# JOHN DEERE

## Freins à disque (Bain d'huile) - Oil immersed disc brakes - Scheiben (Ölbad) - Remschijven (Oliebad) - Frenos de disco en baño de aceite



	Fig. Abh. Afb.	Part N°	OEM	Dimensions mm - Maßen mm - Afmetingen mm - Dimensiones mm	Descript. - Beschreib. Beschr. - Descrip.
6100, 6100SE, 6200, 6200L, 6200SE, 6300, 6300L, 6300SE, 6400, 6400L, 6400SE, 6500L, 6506, 6600	1	26/417-67	L111978	Ø Ext./Out./Aub./Uitw./: 312mm	Piston Bremkolben Remzuiger Pistón
	2	26/423-31	L114091	Ø Ext./Out./Aub./Uitw./: 314mm Ep. / Tick. / Dick. / Dik. / Gr.: 21,5mm	Disque int. Int. disc Zwischenscheibe Remtussenschijf Plancha freno
		26/423-32	AL114053	Ø Ext./Out./Aub./Uitw./: 314mm Ep. / Tick. / Dick. / Dik. / Gr.: 22mm	
	3	26/422-27	AL111498 AL168781 AL171954	Ø Ext./Out./Aub./Uitw./: 313mm 14Z 44x56 Ep. / Tick. / Dick. / Dik. / Gr.: 4,9mm	Disque de friction Friction disc Bremsscheibe Remschijf Plancha freno
		26/422-28	AL112982 AL159762 AL171955	Ø Ext./Out./Aub./Uitw./: 313mm 14Z 44x56 Ep. / Tick. / Dick. / Dik. / Gr.: 5,9mm	
	4	26/416-4	L56243	-	Joint Seal O-Ring Remafdichting Retén
		26/416-15	L56246	-	

Les références des pièces sont indicatives.  
 Nos pièces ne sont pas d'origine

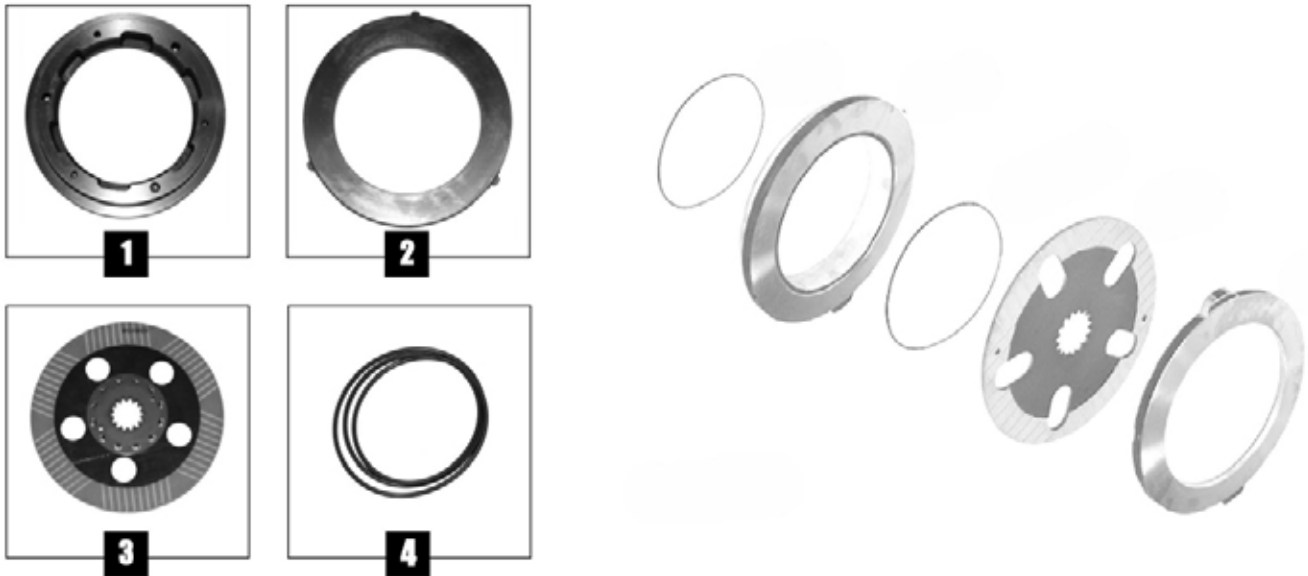
**"THE RELIABLE SERVICE"**


Part numbers are quoted for reference purposes only.  
 Our parts and accessories are not original.



# JOHN DEERE

## Freins à disque (Bain d'huile) - Oil immersed disc brakes - Scheiben (Ölbad) - Remschijven (Oliebad) - Frenos de disco en baño de aceite



	Fig. Abb. Afb.	Part N°	OEM	Dimensions mm - Maßen mm - Afmetingen mm - Dimensiones mm	Descript. - Beschreib. Besch. - Descrip.
6010SE, 6020, 6020SE, 6110, 6110SE, 6110L, 6120, 6120SE, 6130, 6205, 6210, 6210L, 6210SE, 6215, 6220, 6220SE, 6225, 6230, 6230PR, 6310, 6310L, 6310S, 6310SE, 6320, 6330, 6320L, 6320SE, 6325, 6330PR, 6400SP, 6405, 6410, 6410L, 6410S, 6410SE, 6415, 6420, 6420L, 6420S, 6420SE, 6425, 6430, 6430PR, 6505, 6510, 6510L, 6510S, 6510SE, 6515, 6520, 6520L, 6520SE, 6525 (EU), 6530PR, 6605, 6610, 6610SE, 6615 (USA), 6620, 6630PR, 6715, 7130, 7130PR, 7220, 7230, 7230PR, 7320,	1	26/417-67	L111978	Ø Ext./Out./Aub./Uitw./: 312mm	Piston Bremskolben Remzuiger Pistón
	2	26/423-32	AL114053	Ø Ext./Out./Aub./Uitw./: 314mm Ep. / Tick. / Dick. / Dik. / Gr.: 22mm	Disque int. Int. disc Zwischenscheibe Remtussenschijf Plancha freno
	3	26/422-27	AL111498 AL168781 AL171954	Ø Ext./Out./Aub./Uitw./: 313mm 14Z 44x56 Ep. / Tick. / Dick. / Dik. / Gr.: 4,9mm	Disque de friction Friction disc Bremsscheibe Remschijf Plancha freno
		26/422-28	AL112982 AL159762 AL171955	Ø Ext./Out./Aub./Uitw./: 313mm 14Z 44x56 Ep. / Tick. / Dick. / Dik. / Gr.: 5,9mm	
	4	26/416-4	L56243	-	Joint Seal O-Ring Remafdichting Retén
		26/416-15	L56246	-	

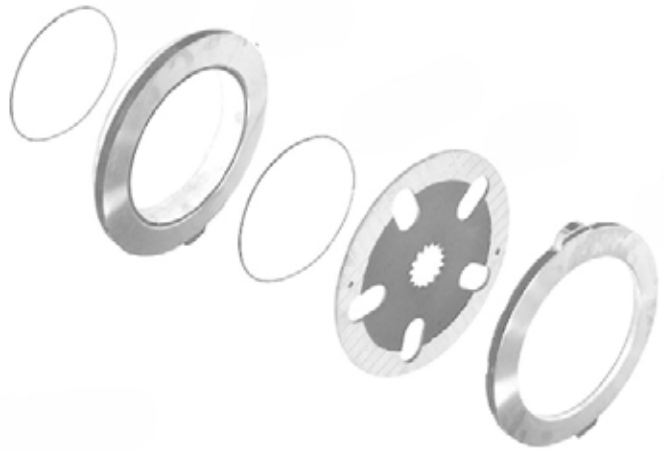
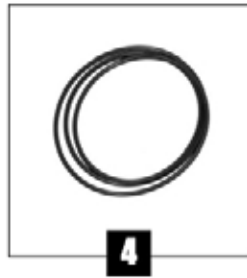
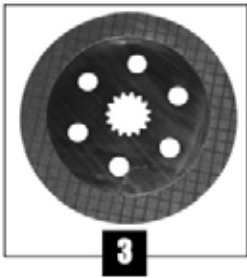
Las referencias de las piezas son indicativas.  
Nos piezas no son de origen


**"THE RELIABLE SERVICE"**

Part numbers are quoted for reference purposes only.  
Our parts and accessories are not original.

# JOHN DEERE

## Freins à disque (Bain d'huile) - Oil immersed disc brakes - Scheiben (Ölbad) - Remschijven (Oliebad) - Frenos de disco en baño de aceite



	Fig. Abb. Afb.	Part N°	OEM	Dimensions mm - Maßen mm - Afmetingen mm - Dimensiones mm		Descript. - Beschreib. - Besch. - Descrip.
				Ø Ext./Out./Aub./Uitw./:	Ep. / Tick. / Dick. / Dik. / Gr.:	
6800, 6810, 6820, 6900, 6910, 6910S, 6920, 6920S, 7200, 7210, 7400, 7405, 7410, 7420, 7425, 7500, 7505, 7510, 7515, 7520, 7525	1	26/417-66	R125127	Ø Ext./Out./Aub./Uitw./:	339mm	Piston Bremskolben Remzuiger Pistón
	2	26/423-33	R125128	Ø Ext./Out./Aub./Uitw./:	339mm Ep. / Tick. / Dick. / Dik. / Gr.: 18mm	Disque int. Int. disc Zwischenscheibe Remtussenschijf Plancha freno
	3	26/422-85	RE160072 RE186966	Ø Ext./Out./Aub./Uitw./:	334,5mm 15Z 57,5x72 Ep. / Tick. / Dick. / Dik. / Gr.: 7,8mm	Disque de friction Friction disc Bremscheibe Remschijf Plancha freno
	4	26/416-60	R122850	-	-	Joint Seal O-Ring Remafdichting Retén
	26/416-61	R126399	-	-		

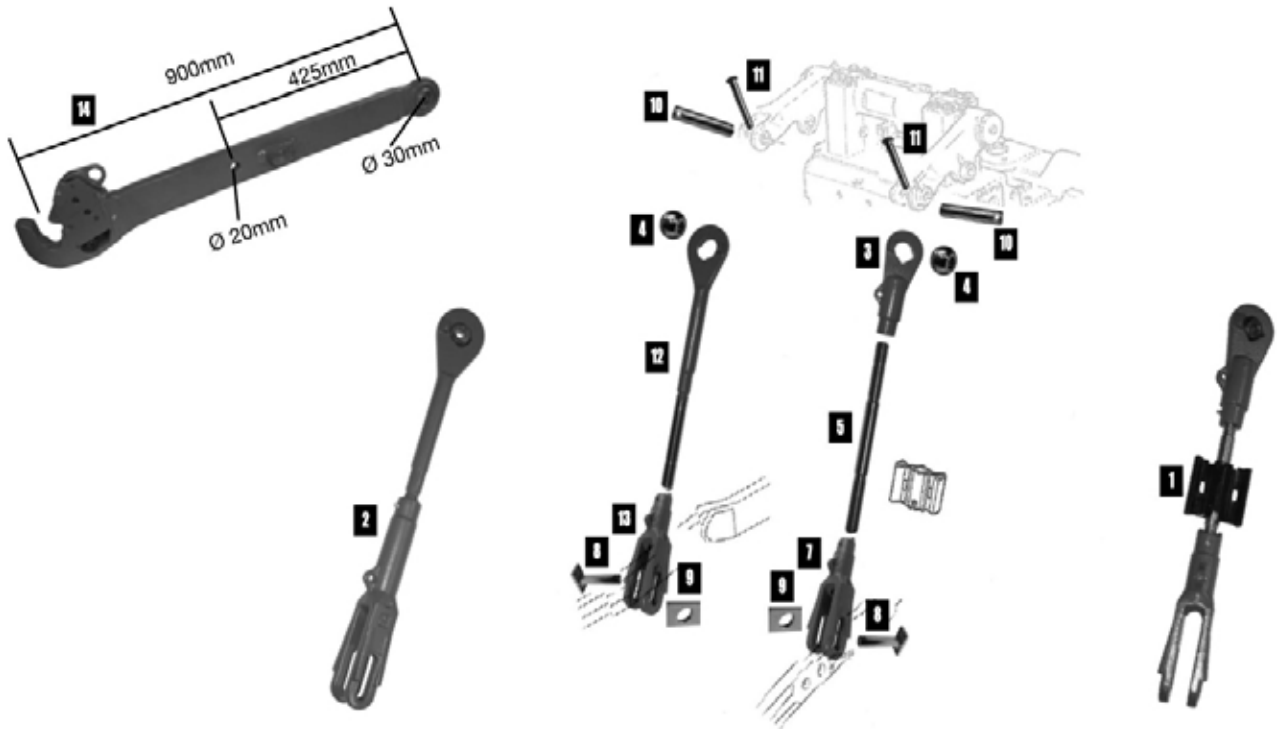
Les références des pièces sont indicatives.  
 Nos pièces ne sont pas d'origine


**"THE RELIABLE SERVICE"**

Part numbers are quoted for reference purposes only.  
 Our parts and accessories are not original.

# JOHN DEERE

## Suspentes de relevage - Levelling box assembly - Regelbare Hubstangen - Regelbare hefstangen - Caja niveladora



	Référence Reference Bestel Nr. Bestell-Nr. Referencia	OEM	Fig.	Remarques Comments Opmerkingen Anmerkungen Comentarios	Descript. - Beschreib. Beschr. - Descrip.
6010, SE6010, SE6020, 6100, SE6100, 6110, 6110L, SE6110, 6120, 6130, 6200, 6200L, SE6200, SE6210, 6210, 6210L, 6220, 6230, 6300, 6300L, SE6300, 6310, 6310L, 6310S, SE6310, 6320, 6330, 6400, 6400L, SE6400, 6405, 6410, 6410L, 6410S, SE6410, 6420, 6430, 6500, 6500L, 6506, 6510, 6510L, 6510S, SE6510, 6520, 6530, 6600, 6605, 6610, SE6610, 6620, 6630  Cat. 2	26/760-96	-	1	Droit - Right - Rechts - Rechts - Drcha	Suspente complète - Levelling ass. - Hubstange - Hefstang kpl. - Caja nivelador
	26/760-97	-	2	Gauche - Left - Links - Links - Izda.	Suspente complète - Levelling ass. - Hubstange - Hefstang kpl. - Caja nivelador -
	26/759-52	L78574	3	Droite - Right - Rechts - Rechts - Drcha	Extrémité - Body - Kugelende - Draaispindelhuis - Acople elevador
	26/761-64	L78578	5	Droite - Right - Rechts - Rechts - Drcha	Tige de suspente - Levelling shaft - Stiel - Draadeind hefstang - Eje


Les références des pièces sont indicatives.  
Nos pièces ne sont pas d'origine

**"THE RELIABLE SERVICE"**

Part numbers are quoted for reference purposes only.  
Our parts and accessories are not original.


# JOHN DEERE

## Suspentes de relevage - Levelling box assembly - Regelbare Hubstangen - Regelbare hefstangen - Caja niveladora

	Référence Reference Bestel Nr. Bestell-Nr. Referencia	OEM	Fig. Abb. Afb.	Remarques Comments Opmerkingen Anmerkungen Comentarios	Descript. - Beschreib. Besch. - Descrip.
<p>6010, SE6010, SE6020, 6100, SE6100, 6110, 6110L, SE6110, 6120, 6130, 6200, 6200L, SE6200, SE6210, 6210, 6210L, 6220, 6230, 6300, 6300L, SE6300, 6310, 6310L, 6310S, SE6310, 6320, 6330, 6400, 6400L, SE6400, 6405, 6410, 6410L, 6410S, SE6410, 6420, 6430, 6500, 6500L, 6506, 6510, 6510L, 6510S, SE6510, 6520, 6530, 6600, 6605, 6610, SE6610, 6620, 6630</p> <p>Cat. 2</p>	26/762-50	L78576	7	Droite - Right - Rechts - Rechts - Drcha	Fourche - Levelling fork - Hubstange - Ondergaffel - Horquilla caja -
	26/759-53	L156830	12	Gauche - Left - Links - Links - Izda.	Extrémité - Body - Kugelende - Draaispindelhuus - Acople elevador
	26/757-10	L78938	4	-	Sphère - Ball - Kugel - Kogel Hefstang - Bola
	26/758-25	L79924	10	-	Broche Clevis pin Bolzen Pen Bulón
	26/758-26	R69166	11	-	Fourche Levelling fork Hubstange Ondergaffel Horquilla caja
	26/762-51	L78572	13	Gauche - Left - Links - Links - Izda.	Broche Clevis pin Bolzen Pen Bulón
	26/758-27	L158186 AL78854	8	20x82 mm	Plaque Plate Plaque Plaat Placa
	26/758-28	L156665 L78761	9	-	Bras - Lifting arm - Unterlenker - Treklát - Brazo de elevación
	26/712-29	DE18458	14	Droite - Right - Rechts - Rechts - Drcha	Bras - Lifting arm - Unterlenker - Treklát - Brazo de elevación
	26/712-30	DE18459	14	Gauche - Left - Links - Links - Izda.	Bras - Lifting arm - Unterlenker - Treklát - Brazo de elevación

# JOHN DEERE

## Suspentes de relevage - Levelling box assembly - Regelbare Hubstangen - Regelbare hefstangen - Caja niveladora

	Référence Reference Bestel Nr. Bestell-Nr. Referencia	OEM	Fig. Abb. Afb.	Remarques Comments Opmerkingen Anmerkungen Comentarios	Descript. - Beschreib. Beschr. - Descrip.
<p>6320, 6400 (EU), 6410 (EU), 6410L, 6420, 6420S (EU), 6506 (EU), 6510 (EU), 6510L, 6520 (EU), 6520SE, SE6510 (EU), 6600 (EU), 6610 (EU), SE6610 (EU), 6620 (EU), 6620SE</p> <p>Cat. 3</p>	26/760-98	-	1	Droit - Right - Rechts - Rechts - Drcha	Suspente complète - Levelling ass. - Hubstange - Hefstang kpl. - Caja nivelador
	26/760-99	-	2	Gauche - Left - Links - Links - Izda.	Suspente complète - Levelling ass. - Hubstange - Hefstang kpl. - Caja nivelador -
	26/762-52	L78573	13	Gauche - Left - Links - Links - Izda.	Fourche - Levelling fork - Hubstange - Ondergaffel - Horquilla caja
	26/759-54	L78571	12	Gauche - Left - Links - Links - Izda.	Extrémité - Body - Kugelende - Draaispindelhuis - Acople elevador
	26/761-65	L78579	5	-	Tige de suspente - Levelling shaft - Stiel - Draadeind hefstang - Eje
	26/762-53	L78575	7	Droite - Right - Rechts - Rechts - Drcha	Fourche - Levelling fork - Hubstange - Ondergaffel - Horquilla caja
	26/758-55	L78577	3	Droite - Right - Rechts - Rechts - Drcha	Broche - Clevis pin - Bolzen - Pen - Bulón
	26/757-11	L114631 L79082	4	-	Sphère - Ball - Kugel - Kogel Hefstang - Bola
	26/758-29	L79925	10	-	Broche - Clevis pin - Bolzen - Pen - Bulón
	26/758-30	L158185 AL78785	8	25 x 94 mm	
26/758-31	L156666 L78764	9	-	Plaque - Plate - Plaque - Plaat - Placa -	

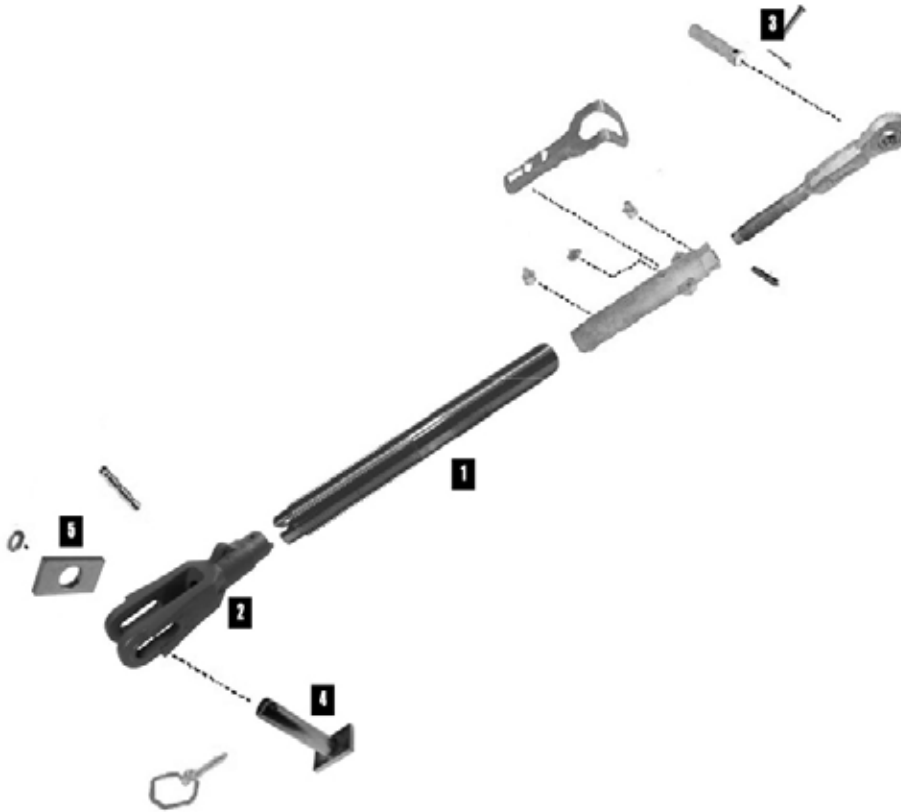
Les références des pièces sont indicatives.  
Nos pièces ne sont pas d'origine


**"THE RELIABLE SERVICE"**

Part numbers are quoted for reference purposes only.  
Our parts and accessories are not original.

# JOHN DEERE

## Attelage - Linkage - Zugpendel - Aanspan-delen - Enganches



	<b>Référence</b> <b>Reference</b> <b>Bestel Nr.</b> <b>Bestell-Nr.</b> <b>Referencia</b>	<b>OEM</b>	<b>Fig.</b> <b>Abb.</b> <b>Afb.</b>	<b>Remarques</b> <b>Comments</b> <b>Opmerkingen</b> <b>Anmerkungen</b> <b>Comentarios</b>	<b>Descript. - Beschreib.</b> <b>Beschr. - Descrip.</b>
6800, 6900 7600, 7610, 7700, 7710, 7800, 7810	26/761-62	R96314	1		Tige de suspente Levelling shaft Stiel Draadeind hefstang Eje
	26/762-54	R106414	2		Fourche Levelling fork Hubstange Ondergaffel Horquilla caja
	26/758-26	R69166	3		Broche Clevis pin Bolzen
	26/758-30	L158185 AL78785	4	25 x 94 mm	Pen Bulón
	26/758-31	L156666 L78764	5		Plaque Plate Plaat Placa

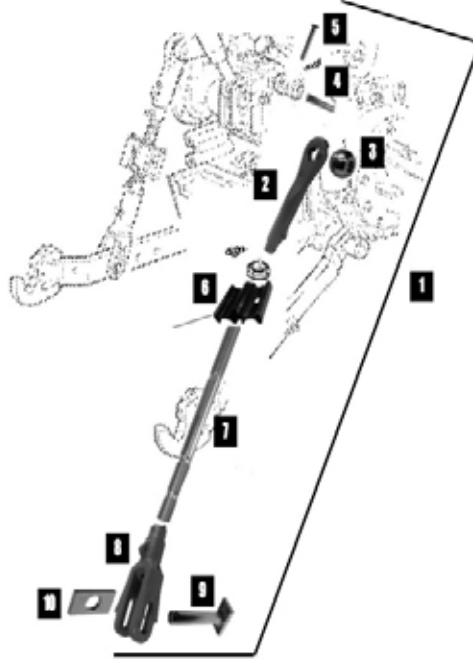
Les références des pièces sont indicatives.  
 Nos pièces ne sont pas d'origine


**"THE RELIABLE SERVICE"**

Part numbers are quoted for reference purposes only.  
 Our parts and accessories are not original.

# JOHN DEERE

## Attelage - Linkage - Zuggendel - Aanspan-delen - Enganches



	<b>Référence Reference Bestel Nr. Bestell-Nr. Referencia</b>	<b>OEM</b>	<b>Fig. Abb. Afh.</b>	<b>Remarques Comments Opmerkingen Anmerkungen Comentarios</b>	<b>Descript. - Beschreib. Besch. - Descrip.</b>
6800, 6810, 6820, 6830, 6900, 6910, 6910S, 6920, 6920S, 6930	26/760-102	-	1	-	Suspente complète - Levelling ass. Hubstange - Hefstang kpl. Caja niveladora
	26/759-56	L156840	2	-	Extrémité - Body - Kugelende - Draaispindelhuis - acople elevador
	26/757-11	L114631	3	-	Sphère - Ball - Kugel - Kogel Hefstang - Bola
	26/758-32	L113797	4	-	Broche - Clevis pin Bolzen - Pen - Bulón
	26/758-26	R69166	5	-	
	26/756-3	AL170129	6	-	Ecrou - Nut - Mutter - Moer - Tuerca
	26/761-63	L156839	7	-	Tige de suspente - Levelling shaft -Stiel Draadeind hefstang - Eje
	26/762-53	L78575	8	-	Fourche- Fork - Gabel - Ondergaffel - Horquilla
	26/758-30	L158185 AL78785	9	25x94mm	Broche - Clevis pin Bolzen - Pen - Bulón
	26/758-31	L156666 L78764	10	-	Plaque - Plate -Plaque Plaat - Placa

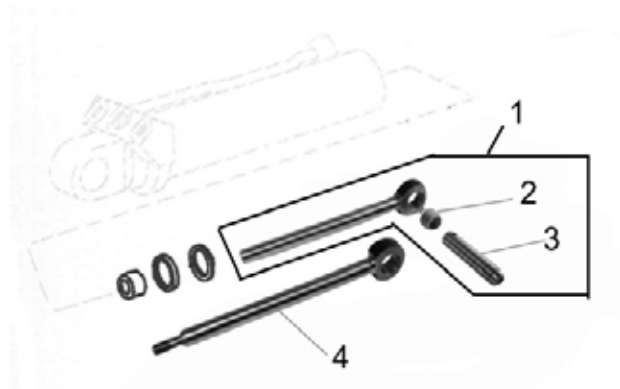
Les références des pièces sont indicatives.  
Nos pièces ne sont pas d'origine


**"THE RELIABLE SERVICE"**

Part numbers are quoted for reference purposes only.  
Our parts and accessories are not original.

# JOHN DEERE

**Pont avant 4RM (Vérin de direction) - 4WD Front axle (Steering cylinder)-  
 Vorderachsteile 4WD (Lenkzylinder) - Voorasonderdelen 4WD (Hyd. Stuurcilinder)-  
 Eje delantero 4RM (Cilindro de dirección)**

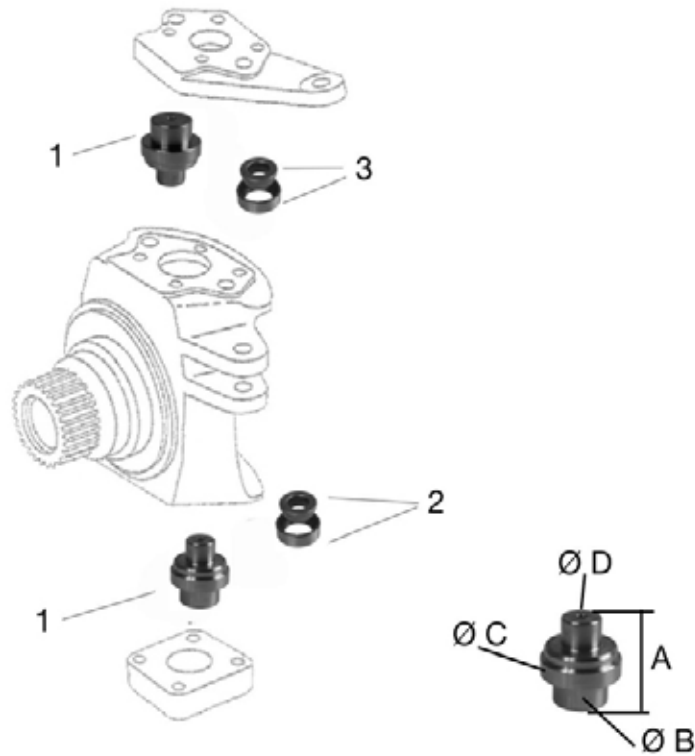



	Référence Reference Bestel Nr. Bestell-Nr. Referencia	OEM	Fig. Abb. Afb.	Remarques Comments Opmerkingen Anmerkungen Comentarios	Descript. - Beschreib. Beschr. - Descrip.
7200, 7210, 7400, 7410, 7610, 7700, 7710, 7800, 7810 8100, 8200, 8300, 8400 (→029259)	26/581-42	R158652 R123988	1 (1+2+3)	Lg. = 315mm Ø = 25,50mm M14x1,5LH	Rotule du vérin Tie rod steering cylinder Kolbenstange Kogeleind stuurcilinder Rotula de cilindro de dirección
	26/579-42	R95118	2	24,50x32x22,90	Bague - Bush - Pen - Casquillo -
	26/577-42	R153160	3	Lg. = 121,80mm Ø = 24,80mm	Axe - Shaft - Bolzen - Stuuraspen - Eje
8000, 8010, 8020, 8030	26/581-51	AH220623	4	Lg. = 350mm Ø = 25mm M20x1,5RH	Rotule du vérin Tie rod steering cylinder Kolbenstange Kogeleind stuurcilinder Rotula de cilindro de dirección



# JOHN DEERE

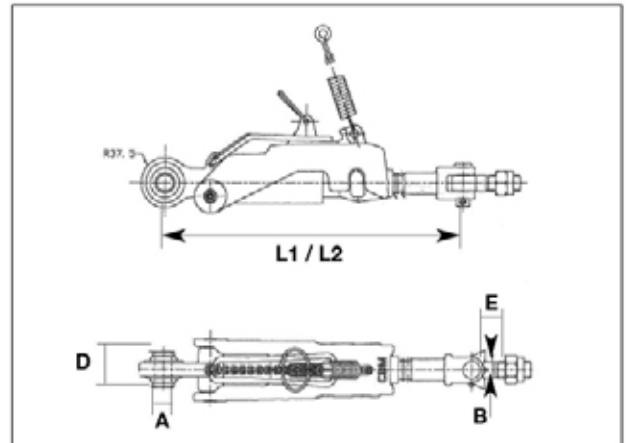
**Pont avant 4RM - 4WD Front axle -  
 Vorderachsteile 4WD - Voorasonderdelen 4WD - Eje delantero 4RM**




	<b>Référence                      Reference                      Bestell-Nr.                      Bestell-Nr.                      Referencia</b>	<b>OEM</b>	<b>Fig.                      Abb.                      Afb.</b>	<b>Remarques                      Comments                      Opmerkingen                      Anmerkungen                      Comentarios</b>	<b>Descript. - Beschreib.                      Beschr. - Descrip.</b>
7610, 7710, 7810 8100, 8200, 8300, 8400	26/6450-90	RE63382 R106674 R126390	1	A = 75,60mm B = Ø 48,50mm C = Ø 70,80mm D = Ø 34,90mm	Pivot - Pin - Bolzen - Fuseepen - Clavija de unión
	26/6451-90	JD8252+ JD8930	2	-	Roulement - Bearing - Lager - Fuseelager - Rodamiento
	26/6451-33	AR94761+ R72090	3	-	

# JOHN DEERE

**Stabilisateur automatique - Automatic stabiliser - Automatischer Stabilisator -  
 Automatisch stabilisator - Estabilizador automático**



	Référence Reference Bestel Nr. Bestell-Nr. Referencia	OEM	L1 mm	L2 mm	$\varnothing$ A mm	$\varnothing$ B mm	D mm	E mm
6010, 6110, 6210, 6310, 6410, 6510, 6610, 6810, 6910 7430PR, 7430PRE, 7530 PR, 7530PRE 7600, 7700, 7800	26/740-59	AL175855 AL79782	455	520	25,7	23,8	50,6	47,4

Les références des pièces sont indicatives.  
 Nos pièces ne sont pas d'origine

**"THE RELIABLE SERVICE"**

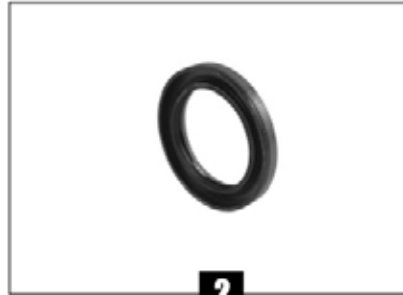
Part numbers are quoted for reference purposes only.  
 Our parts and accessories are not original.

# JOHN DEERE

## Arbre de prise de force - PTO Shaft - Welle PTO - As PTO - Eje de TDF




**1**



**2**



**3**

	Fig. Abb. Afb.	Référence Reference Bestell-Nr. Referencia	OEM	Remarques Comments Opmerkingen Anmerkungen Comentarios	Descript. - Beschreib. Beschr. - Descrip.
5620, 5720, 5820, 6020, 6020SE, 6120, 6120L, 6120SE, 6215, 6220, 6220L, 6220SE, 6320, 6320L, 6415, 6420, 6420L, 6420S, 6420SE, 6515, 6520, 6520L, 6520SE, 6615, 6620, 6620SE, 6715	1	26/303-112	L156978 L173241 L173284	540-1000T/Min Lg. : 235mm 6Z - 21Z	Arbre de prise de force - PTO shaft - Zapfwelle - Aftakas - Eje toma de fuerza
	2	26/305-54	AL150750	70x100x13	Bague d'étanchéité - PTO oil seal - Wellendichtring Aftakaskerring - Reten de TDF
6800, 6900 (⇒039273) 6810, 6820, 6910, 6920, 6910S, 6920S 7200, 7210, 7400, 7405, 7410, 7420, 7425, 7500 (BR), 7505, 7510, 7515, 7520, 7525, 7600, 7610, 7700, 7710, 7720, 7800, 7810, 7810 (BR), 7815, 7820 (USA)	3	26/303-38	L110178 L102289 L151598 L156976 L173282 R93500	540-1000T/Min Lg. : 235mm 6Z - 21Z	Arbre de prise de force - PTO shaft - Zapfwelle - Aftakas - Eje toma de fuerza
	2	26/305-51	RE38725	66,5x95,5x12,6/14,6	Bague d'étanchéité - PTO oil seal - Wellendichtring Aftakaskerring - Reten de TDF
6100, 6200, 6200L, 6300, 6300L, 6400, 6400L, 6500 (USA), 6500L, 6506, 6600 (⇒137287)	3	26/303-38	L110178 L102289 L151598 L156976 L173282 R93500	540-1000T/Min Lg. : 235mm 6Z - 21Z	Arbre de prise de force - PTO shaft - Zapfwelle - Aftakas - Eje toma de fuerza
	2	26/305-115	AL76984	66,73x95,22x13	Bague d'étanchéité - PTO oil seal - Wellendichtring Aftakaskerring - Reten de TDF
5225, 5325, 5325N, 5425, 5425N (USA), 5525, 5525N, 5625, 5725 6010, 6010SE, 6100, 6100SE, 6110, 6110L, 6110SE, 6200, 6200L, 6200SE, 6205, 6210, 6210L, 62210SE, 6300, 6300SE, 6300L, 6310, 6310L, 6310S, 6310SE, 6400, 6400L, 6400SE, 6405 (USA), 6410, 6410L, 6410S, 6410SE, 6500 (USA), 6500L, 6505, 6506, 6510L, 6510S, 6510SE, 6600, 6605, 6610SE, (137288⇒)	3	26/303-38	L110178 L102289 L151598 L156976 L173282 R93500	540-1000T/Min Lg. : 235mm 6Z - 21Z	Arbre de prise de force - PTO shaft - Zapfwelle - Aftakas - Eje toma de fuerza
	2	26/305-116	AL110010	70x95x13	Bague d'étanchéité - PTO oil seal - Wellendichtring Aftakaskerring - Reten de TDF

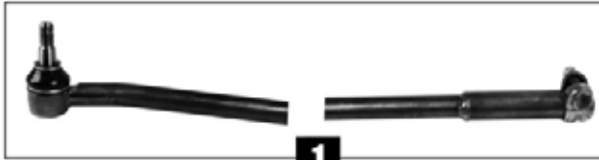
Les références des pièces sont indicatives.  
Nos pièces ne sont pas d'origine

**"THE RELIABLE SERVICE"**

Part numbers are quoted for reference purposes only.  
Our parts and accessories are not original.

# JOHN DEERE

## Rotules & tirants de direction - Steering links & sockets - Stuurkogels en stangen - Kugelgelenke und Spurstangen - Rótulas y acoples de dirección



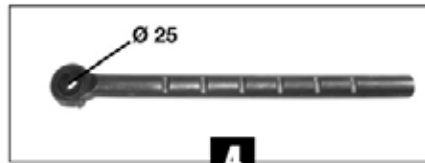
**1**



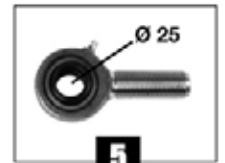
**2**



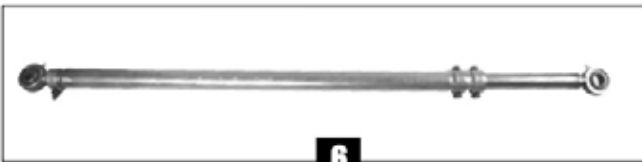
**3**



**4**



**5**



**6**



**7**



### TRACTEURS ETROITS / NARROW TRACTORS

	Fig.	Part N°	OEM	Filet Thread Gewinde Schroefdraad Rosca	Longueur Lenght Länge Lengte Longitud	Conicité Cone Konus Conisch Cono
940V, 1040V, 1140V 1750V, 1850V	1	26/497-364	DE16385 DE15552	-	905	16,5/18,5
	2	26/491-21	DE16386 DE15553	M20x1,5RH	115	14,3/15,8

### DIRECTION HYDROSTATIQUE 2 ROUES MOTRICES / 2 WHEEL DRIVE HYDROSTATIC STEERING

1550, 1750, 1850, 1950 1640, 1840, 2040 (EU), 2040S, 2140 2250, 2350, 2450, 2550, 2650, 2750, 2850 2355, 2555, 2755	3	26/579-2B	AL37193	M24x2,0RH	100	Ø 25
	4	26/579-43	AL37204	Ø 32	480	Ø 25
1640, 2040, 2040S, 2140, 2940, 3040, 3140, 3340	3	26/579-2D	AL37194 AL31498	-	615	-
	5	26/579-2B	AL37193 AL31497	M24x2,0RH	100	Ø 25
2950 2955 (→765516) 3040, 3140 (430000 →) 3050, 3150 (ES), 3250 (ES), 3350 3055, 3255	6	26/493-2B	AL68723	-	1070→ 1570	-
	5	26/579-2B	AL37193	M24x2,0RH	100	Ø 25
	7	26/495-243	AL68724	-	665	Ø 25

Les références des pièces sont indicatives.  
Nos pièces ne sont pas d'origine

**"THE RELIABLE SERVICE"**

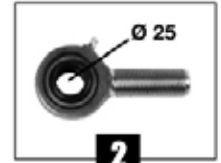
Part numbers are quoted for reference purposes only.  
Our parts and accessories are not original.

# JOHN DEERE

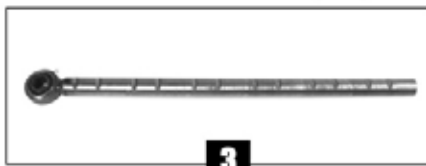
## Rotules & tirants de direction - Steering links & sockets - Stuurkogels en stangen - Kugelgelenke und Spurstangen - Rótulas y acoples de dirección



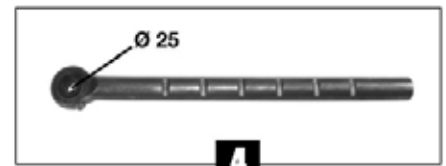
**1**



**2**



**3**



**4**



	Fig.	Part N°	OEM	Filet Thread Gewinde Schroefdraad Rosca	Longueur Lenght Länge Lengte Longitud	Conicité Cone Konus Conisch Cono
<b>DIRECTION HYDROSTATIQUE 2 ROUES MOTRICES / 2 WHEEL DRIVE HYDROSTATIC STEERING</b>						
6010, 6010SE, 6020, 6020SE, 6100, 6100SE, 6110 (EU), 6110 (USA), 6110L, 6110SE, 6120 (EU), 6120 (USA), 6120L, 6120SE, 6130 (EU), 6200 (EU), 6200 (USA), 6200L, 6200SE, 6210 (EU), 6210 (USA), 6210L, 6210SE, 6220 (EU), 6220 (USA), 6220SE, 6230 (EU), 6230 (USA), 6230PR (USA), 6300 (EU), 6300 (USA), 6300L, 6300SE, 6310 (EU), 6310 (USA), 6310S, 6310SE, 6320 (EU), 6320 (USA), 6320L, 6320SE, 6330 (EU), 6330 (USA), 6330PR (USA), 6400 (EU), 6400 (USA), 6400L, 6400SE, 6400SP, 6403 (MEX), 6403 (USA), 6405 (USA), 6410 (EU), 6410 (USA), 6410L, 6410S, 6410SE, 6420 (EU), 6420 (USA), 6420L, 6420SE, 6430 (EU), 6430 (USA), 6430PR (USA), 6500 (USA), 6500L, 6510 (EU), 6510L, 6510S, 6510SE, 6520 (EU), 6520L, 6520SE, 6530 (EU), 6603 (MEX), 6603 (USA), 6605 (USA), 6610 (EU), 6610SE, 6620 (EU), 7130, 7230, 7405, 7500, 7420 (MEX), 7425, 7525	1	26/493-28	AL68723	-	1070→1570	-
	2	26/579-2B	AL37193	M24x2,0RH	100	Ø 25
	3	26/495-243	AL68724	-	665	Ø 25
6120L, 6200 (EU), 6200L, 6210L, 6220L, 6230 (USA), 6300 (EU), 6300L, 6310L, 6310S, 6320L, 6330 (USA), 6400 (EU), 6400L, 6410L, 6410S, 6420L, 6430 (USA), 6500, 6500L, 6510L, 6510S, 6520L	2	26/579-2B	AL37193	M24x2,0RH	100	Ø 25
	4	26/579-43	AL37204	Ø 32	480	Ø 25

Les références des pièces sont indicatives.  
Nos pièces ne sont pas d'origine

**"THE RELIABLE SERVICE"**

Part numbers are quoted for reference purposes only.  
Our parts and accessories are not original.

# JOHN DEERE

## Rotules & tirants de direction - Steering links & sockets - Stuurkogels en stangen - Kugelgelenke und Spurstangen - Rótulas y acoples de dirección



	Fig.	Part N°	OEM	Filet Thread Gewinde Schroefdraad Rosca	Longueur Lenght Länge Lengte Longitud	Conicité Cone Konus Conisch Cono
<b>TRACTEURS 2 ROUES MOTRICES DIRECTION MANUELLE / 2 WHEEL DRIVE TRACTORS WITH MANUAL STEERING</b>						
940 (ES), 1040 (ES), 1140 (ES), 1140F, 1640F, 1840F, 2040F, 1850F, 1950F, 1950 (ES), 2250F, 2450F, 2650F	1	26/495-366	DE16304 DE15562	-	240	16,5/18,5
	2	26/497-7	DE16303 DE15561 AL39020	F 1 1/8" UNF	150	
1040 (ES), 1140 (ES), 1640 (ES), 1840 (ES), 1850, 1950	1	26/495-367	DE16306 DE15565	Ø 20	370	16,5/18,5
	2	26/497-7	DE16303 DE15561 AL39020	F 1 1/8" UNF	150	
1640 (ES), 1840 (ES), 2040 (ES), 2140 (ES), 2250 (ES), 2450 (ES), 2650 (ES), 2850 (ES)	3	26/497-10	AL38645, AL27532, AL37504, DE16221	M24Dx1,5RH	105	20/22
	4	26/497-368	CE15148	FØ22 F24x1,5RH	355	-
1640 (ES), 1640F, 1840 (ES), 1840F, 2040 (ES), 2040F, 2040S (ES), 2140 (ES) (112787→121576)(121577→)	1	26/495-17	AL27533, AL37505, DE16222	Ø 22	330	20/22
	5	26/497-365	DE16224 DE15549	F24x1,5RH	1100	
	6	26/491-365	DE16225 DE15550 AL110074	M24x1,5RH	105	
2250 (ES), 2250F, 2450 (ES), 2450F, 2650, 2650F, 2850 (ES)	7	26/490-14	AL38638 AL82836 DE16223	-	1130 1180	

Les références des pièces sont indicatives.  
 Nos pièces ne sont pas d'origine

**"THE RELIABLE SERVICE"**

Part numbers are quoted for reference purposes only.  
 Our parts and accessories are not original.

# JOHN DEERE

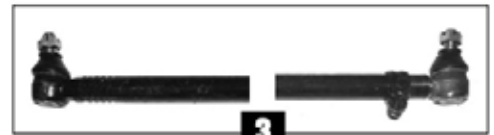
## Rotules & tirants de direction - Steering links & sockets - Stuurkogels en stangen - Kugelgelenke und Spurstangen - Rótulas y acoples de dirección



**1**



**2**



**3**



**4**



**5**



**6**



Fig.	Part N°	OEM	Filet Thread Gewinde Schroefdraad Rosca	Longueur Lenght Länge Lengte Longitud	Conicité Cone Konus Conisch Cono
------	---------	-----	--	---	--

### TRACTEURS 2 ROUES MOTRICES DIRECTION MANUELLE / 2 WHEEL DRIVE TRACTORS WITH MANUAL STEERING

1850N, 1950F, 1950N, 2355N	1	26/495-361	AL65090	F24x1,5RH	310	20/22
	2	26/497-10	AL38645, AL27532, AL37504, DE16221	M 24D	105	
2140 (DE), 3040, 3140 (DE) 2140 (ES), 3140 (ES) (⇒111941) 2940	3	26/495-244	AL37259 AL32999 AL34260	-	1430 ⇨ 1475	24/26
	2	26/497-51	AL34262 AL37523	M 24D	115	

### TRACTEURS 2 ROUES MOTRICES DIRECTION ASSISTEE / 2 WHEEL DRIVE TRACTORS WITH ASSISTED STEERING

5105, 5205, 5303 (EU), 5403 (EU), 5425 (USA), 5503 (EU), 5525 (USA), 5625 (USA) 5103 (USA ⇒001434⇨), 5203 (USA ⇒001135⇨), 5303 (USA ⇒001081⇨), 5420 (USA ⇒443960⇨), 5520 (USA ⇒453301⇨) 5520 (USA ⇒457167⇨) Accouplement sur vérin / Coupling on steering cylinder/ Axialgelenk auf hauptzylinder / Aankoppeling op stuurcilinder / Acople para cilindro de dirección	5	26/497-215	RE217817	M18x1,5RH M20x1,5RH	160	-
5103 (USA ⇒001433), 5200 (USA), 5203 (USA ⇒001134), 5210, 5215 (EU), 5220, 5300 (EU), 5300 (USA), 5303 (USA ⇒001080), 5310 (EU), 5310 (USA), 5315 (EU), 5320, 5400 (EU), 5400 (USA), 5410 (EU), 5410 (USA), 5415 (EU), 5415 (MEX ⇒005672), 5420 (⇒443959), 5500 (EU), 5500 (USA), 5510 (EU), 5510 (USA), 5515 (EU), 5520 (⇒453300), 5520 (USA ⇒457166), 5615 (MEX ⇒004136), 5715 (MEX ⇒008654), 5715HC (MEX ⇒008654)	6	26/495-194	RE46000 ER350488	Ø int / Inner 38	198	20/22
5500 (USA), 5510 (EU), 5510 (USA), 5515 (EU), 5520 (⇒453300), 5520 (USA ⇒457166), 5615 (MEX ⇒004136), 5715 (MEX ⇒008654), 5715HC (MEX ⇒008654)	5	26/497-216	RE45997 RE45998 ER350486	M18x1,5RH M20x1,5RH	160	-
6225, 6325, 6425 (EU), 6525 6230 (USA), 6330 (USA), 6430 (USA) 6415 (BR), 6415 (MEX) 7130 (USA), 7230 (USA), 7330 (USA)	4	26/495-362	AL178283	F24x1,5RH	145	25,5/28,5
	5	26/497-362	AL178284	M22x1,5RH M24x1,5RH	200	-

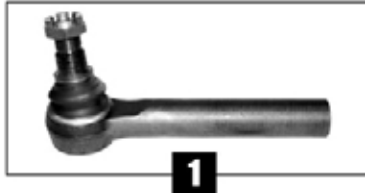
Les références des pièces sont indicatives.  
 Nos pièces ne sont pas d'origine

**"THE RELIABLE SERVICE"**

Part numbers are quoted for reference purposes only.  
 Our parts and accessories are not original.

# JOHN DEERE

## Rotules & tirants de direction - Steering links & sockets - Stuurkogels en stangen - Kugelgelenke und Spurstangen - Rótulas y acoples de dirección



**1**



**2**



	Fig.	Part N°	OEM	Filet Thread Gewinde Schroefdraad Rosca	Longueur Lenght Länge Lengte Longitud	Conicité Cone Konus Conisch Cono
<b>TRACTEURS 4 ROUES MOTRICES DIRECTION ASSISTEE / 4 WHEEL DRIVE TRACTORS WITH ASSISTED STEERIN</b>						
5103 (USA) (→013639), 5203 (USA) (→005568), 5303 (USA) (→007751), 5403 (USA) (→001356) 5105, 5205 5200, 5210, 5300 (USA), 5310 (USA), 5400 (USA), 5410 (USA), 5500 (USA), 5510 (USA) 5220, 5320, 5420, 5520 5425 (USA), 5525 (USA), 5625 (USA) (Pont / Axle / Achse / Vooras / Eje Carraro CA148777 ou / or / oder / of / o CA642749 ou / or / oder / of / o CA148518) 5603 (USA)	1	<b>26/495-195</b>	RE54956 RE54957	F18x1,5RH	200	20/22
	2	<b>26/497-214</b>	RE204879 RE45910 RE45912	M18x1,5RH M20x1,5RH	177	-
6020, 6020SE, 6120 (EU), 6120 (USA), 6120L, 6120SE, 6130, 6215 (EU), 6215 (USA), 6220 (EU), 6220 (USA), 6220L, 6220SE, 6225, 6230 (EU), 6230 (USA), 6230PR (EU), 6230PR (USA), 6320L, 6320SE, 6415 (USA), 6420L, 6420SE (Pont / Axle / Achse / Vooras / Eje 730)	1	<b>26/495-369</b>	AL161301	M24x1,5D	180	25/27
	2	<b>26/497-369</b>	AL161302	M24x1,5D M26x1,5D	210	-
6130, 6215 (USA), 6230 (EU), 6230 (USA), 6230PR (EU), 6230PR (USA), 6320 (EU), 6320 (USA), 6320L, 6330 (EU), 6330 (USA), 6330PR (EU), 6330PR (USA), 6415 (USA) (002827→), 6420 (EU), 6420 (USA), 6420S, 6420L, 6425 (MEX), 6430 (EU), 6430 (USA), 6430PR (EU), 6430PR (USA), 6520L (Pont / Axle / Achse / Vooras / Eje 733) 6325, 6425 (EU) (Pont / Axle / Achse / Vooras / Eje 730) 6403 (MEX), 6403 (USA), 6603 (MEX), 6603 (USA)	1	<b>26/495-191</b>	AL161338	M24x1,5D	180	25/27
	2	<b>26/497-199</b>	AL161341	M24x1,5D M26x1,5D	210	-



# JOHN DEERE

## Rotules & tirants de direction - Steering links & sockets - Stuurkogels en stangen - Kugelgelenke und Spurstangen - Rótulas y acoples de dirección

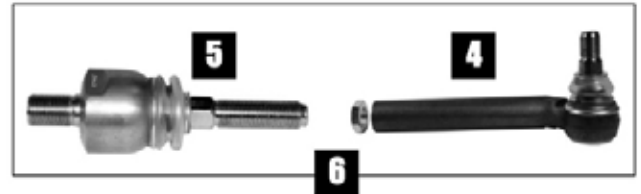
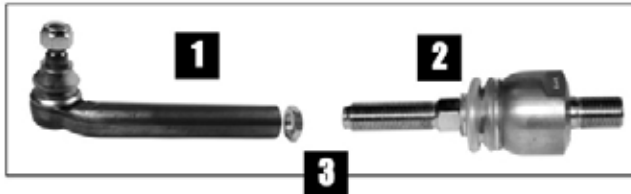


	Fig.	Part N°	OEM	Filet Thread Gewinde Schroefdraad Rosca	Longueur Lenght Länge Lengte Longitud	Conicité Cone Konus Conisch Cono
<b>TRACTEURS 4 ROUES MOTRICES DIRECTION ASSISTEE / 4 WHEEL DRIVE TRACTORS WITH ASSISTED STEERIN</b>						
6010, 6110 (EU), 6210 (EU), 6300 (EU), 6310, 6400 (EU), 6410S, 6506, 6510, 6510S, 6510SE, 6600, 6605 (USA), 6610, 6610SE, 6020, 6120 (EU), 6120L, 6205, 6220 (EU), 6220L (Pont / Axle / Achse / Vooras / Eje AS2025)	1	26/495-162	AL168710 AL116740 AL168708	M22x1,5RH	260	26/28
6010SE, 6110SE, 6210SE, 6300 (USA), 6310SE, 6400 (USA), 6410SE, 6500 (USA) (Pont / Axle / Achse / Vooras / Eje APL2025/2035)	2	26/497-162	AL80542 AL168711	M22x1,5RH M24x1,5RH	210	-
6110L, 6110 (USA), 6210 (USA), 6210L, 6310 (EU), 6310 (USA), 6310L, 6405 (USA), 6410 (EU), 6410 (USA), 6410L, 6510L (Pont / Axle / Achse / Vooras / Eje APL2025/2035 AS/2025/2035)	3	26/490-100	AL116558	M24x1,5RH	385⇒440	26/28
6505, 6615 (USA), 6715 (USA) (Pont / Axle / Achse / Vooras / Eje AS2045)	4	26/496-162	AL110886 AL116741 AL168709	M22x1,5RH	260	
6215 (EU), 6515 (Pont / Axle / Achse / Vooras / Eje AS2025/AS2045)	5	26/497-162	AL80542 AL168711	M22x1,5RH M24x1,5RH	210	-
6320 (EU), 6320 (USA), 6400SP, 6420 (EU), 6420 (USA), 6420S (Pont / Axle / Achse / Vooras / Eje APL2035)	6	26/490-101	AL116559	M24x1,5RH	385⇒440	26/28
6215 (USA), 6320L, 6415 (USA), 6420L, 6520L (Pont / Axle / Achse / Vooras / Eje AS2025/2035)						
6200L, 6300L, 6400L, 6500L (Pont / Axle / Achse / Vooras / Eje APL2035/AS2035)						
6403 (MEX), 6403 (USA), 6603 (MEX), 6603 (USA) (Pont / Axle / Achse / Vooras / Eje AS2035)						
6415 (Pont / Axle / Achse / Vooras / Eje AS2025 ⇒001007/2035 ⇒001348)						
6800, 6810, 6900, 6910, 6910S (Pont / Axle / Achse / Vooras / Eje APL2045/AS2045)						
7210, 7410 (Pont / Axle / Achse / Vooras / Eje TSN 025869⇒)						
7220, 7320						
7420 (MEX), 7425, 7520 (MEX), 7525 (Pont / Axle / Achse / Vooras / Eje AS2045)						

Les références des pièces sont indicatives.  
Nos pièces ne sont pas d'origine

**"THE RELIABLE SERVICE"**

Part numbers are quoted for reference purposes only.  
Our parts and accessories are not original.

# JOHN DEERE

**Rotules & tirants de direction - Steering links & sockets - Stuurkogels en stangen - Kugelgelenke und Spurstangen - Rótulas y acoples de dirección**

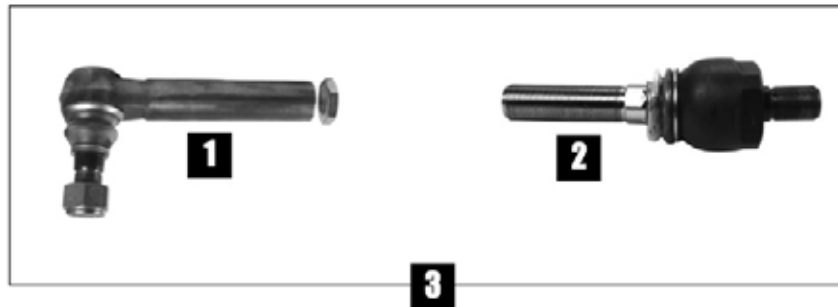


	Fig.	Part N°	OEM	Filet Thread Gewinde Schroefdraad Rosca	Longueur Lenght Länge Lengte Longitud	Conicité Cone Konus Conisch Cono
<b>TRACTEURS 4 ROUES MOTRICES DIRECTION ASSISTEE / 4 WHEEL DRIVE TRACTORS WITH ASSISTED STEERIN</b>						
6515, 6520, 6520SE, 6525, 6530, 6530PR, 6615 (USA), 6620, 6620SE, 6630, 6630PR, 6715 (USA) 7130, 7130PR, 7220, 7230, 7230PR, 7320 (Pont / Axle / Achse / Vooras / Eje 740)	1	26/495-363	AL160542	F28x1,5 RH	225	29/32
	2	26/497-363	AL160543	M26x1,5 RH M28x1,5 RH	235	-
	3	26/490-363	AL160539	M26x1,5 RH	370 →410	29/32
6820, 6830PR, 6920, 6920S, 6930PR (Pont / Axle / Achse / Vooras / Eje 745/750) 6830, 6930 (Pont / Axle / Achse / Vooras / Eje745) 7330 (Pont / Axle / Achse / Vooras / Eje 745) 7330PR (Pont / Axle / Achse / Vooras / Eje 750) 7420 (MEX), 7425, 7520 (MEX), 7525 (Pont / Axle / Achse / Vooras / Eje 745/750) 7420 (USA), 7520 (USA) (Pont / Axle / Achse / Vooras / Eje 745/750) 7515	1	26/495-360	AL160203	F28x1,5 RH	225	29/32
	2	26/497-360	AL160202	M26x1,5 RH M28x1,5 RH	235	-
	3	26/490-360	AL160111	M26x1,5 RH	370 →410	29/32

# JOHN DEERE

## Rotules & tirants de direction - Steering links & sockets - Stuurkogels en stangen - Kugelgelenke und Spurstangen - Rótulas y acoples de dirección



	Fig.	Part N°	OEM	Filet Thread Gewinde Schroefdraad Rosca	Longueur Length Länge Lengte Longitud	Conicité Cone Konus Conisch Cono
<b>TRACTEURS 4 ROUES MOTRICES DIRECTION ASSISTEE / 4 WHEEL DRIVE TRACTORS WITH ASSISTED STEERIN</b>						
7200, 7400 7210, 7410, 7510 7600, 7700, 7800 (036467→) 7610 (→089999) 7710, 7810 (USA)	1	26/493-29	RE66620 RE47656	-	1255⇔ 1345	
	2	26/497-185	RE66622 RE47786	1 1/8" -12 RH	140	28/30
		26/497-186	RE66623 RE47787	1 1/8" -12 LH	140	
7210, 7410, 7510 7330PR 7420 (USA) 7610, (→089999) 7630, 7730, 7830, 7930 7710, 7810 (USA), 7810 (BR) 7715 (70001→) 7815 7720, 7820 (USA), 7920	3	26/490-33 RH	RE161019, RE161182, RE214053	M1" RH	425 ⇔465	32/38
	4	26/495-371	RE161021	F1 1/4" RH	255	
	5	26/497-371	RE150906	M1 1/4" RH M1" RH	240	-
	6	26/490-32 LH	RE161020, RE155929 RE261924	M1" LH	425 ⇔465	32/38
	7	26/495-372	RE161022	F1 1/4" LH	255	
	8	26/497-372	RE161023	M1 1/4" LH M1" LH	240	-
8100, 8120, 8130, 8200, 8220, 8230, 8300, 8320, 8330, 8400, 8420, 8430 8110, 8210, 8310, 8410 (→807929) 8520 (020533→)	9	26/491-85	RE61402 RE173541	M1 1/4"G LH	368	25/31
	10	26/491-84	RE61401 RE173540	M1 1/4"G RH	368	

Les références des pièces sont indicatives.  
Nos pièces ne sont pas d'origine

**"THE RELIABLE SERVICE"**

Part numbers are quoted for reference purposes only.  
Our parts and accessories are not original.

# JOHN DEERE



## Moteur de ventilateur - Cab heater - Lüftermotor - Kachelmotor - Calefacción de cabina



	Part N°	OEM	Description Beschreibung Omschrijving Descripción
5080R, 5090R, 5100R 5200, 5210, 5220, 5300 (USA), 5310 (USA), 5310N (USA), 5320, 5320N, 5400 (USA), 5400N (USA), 5410 (USA), 5420, 5420N, 5425, 5425N (USA), 5500 (USA), 5500N (USA), 5510 (USA), 5510N (USA), 5520, 5520N, 5525N, 5603 (USA), 5620, 5625, 5720, 5725 (MEX), 5820 6010SE, 6020SE, 6100, 6100SE, 6110, 6110SE, 6120, 6120SE, 6130, 6200, 6210, 6200SE, 6210SE, 6215 (USA), 6220, 6220SE, 6230, 6230PR, 6300, 6300SE, 6310, 6310S, 6310SE, 6320, 6320L, 6320SE, 6330, 6330PR, 6400, 6400SE, 6403, 6405 (BR), 6405 (USA), 6410, 6410S, 6410SE, 6415, 6420, 6420L, 6420S, 6420SE, 6430, 6430PR, 6500, 6506, 6510, 6510S, 6510SE, 6520, 6520SE, 6530, 6530PR, 6600, 6603, 6605 (BR), 6605 (USA), 6610, 6610SE, 6615, 6620, 6620SE, 6630, 6630PR, 6715, 6800, 6810, 6820, 6830, 6830PR, 6900, 6910, 6920, 6910S, 6920S, 6930, 6930PR 7130, 7130PR, 7200, 7210, 7220, 7230, 7230PR, 7320, 7730, 7730PR, 7400, 7410, 7420 (USA), 7430PR, 7500, 7505, 7510, 7515, 7520 (USA), 7530PR, 7600, 7700, 7800 7610 (⇨089999) 7710, 7810  3200, 3215, 3220, 3400, 3415, 3420, 3800 (Elevators)	26/1988-85	AL75105 AL80700 AL110881	12V 3510-4200T/min Rotation droit Right rotation Drehrichtung rechts Draairichting rechts Rotación derecha

# JOHN DEERE


**Interrupteur (Clignotant) - Switch (Flashing) - Schalter (Blinker) -  
 Schakelaar (Knipperlichten) - Interuputor (Intermitentes)**

	Part N°	OEM		Remarque - Remarks - Anmerkung - Opmerking - ComentarioS
940, 940V, 1040, 1040V, 1140, 1140F, 1140V, 1640, 1640F, 1840, 1840F, 2040, 2040F, 2040S, 2140, 3040, 3140, 3340	26/958-55	AL31892		5 Plots 5 Pugs 5 Anschlüsse 5 Aansluitingen 5 Terminales

# JOHN DEERE

## Eclairage - Lighting - Beleuchtung - Verlichting - Luces




	Fig. Abb. Afb.	Part N°	OEM	Dimensions Dimensions Abmessungen Afmetingen Dimensiones	Description Description Beschreibung Omschrijving Descripción
5200, 5210, 5300 (USA), 5310 (USA), 5310N (USA), 5320N, 5400 (USA), 5400N (USA), 5410 (USA), 5420N, 5500 (USA), 5500N (USA), 5510 (USA) 5510N (USA), 5520N	1	26/1931-113	RE65485	135x90x85	Optique simple - Livré avec ampoule - Phare de travail avant droit et arrière gauche - toit de cabine Simple headlight - Supplied with bulb - Plough lamp right front and left rear - Cab roof Einzelne Frontscheinwerfer - Mit Glühbirne - Arbeitsscheinwerfer vorne rechts und hinten links - Dach kabine Enkele koplamp - Geleverd met lampje - Werklamp voor rechts en achter links- Dakluik Kabine Faro delantero simple - Con bombilla - Faro de trabajo delantero derecho y trasero izquierdo - Techo de cabina
	2	26/1931-114	RE65486		Optique simple - Livré avec ampoule - Phare de travail avant gauche et arrière droit - toit de cabine Simple headlight - Supplied with bulb - Plough lamp left front and right rear - Cab roof Einzelne Frontscheinwerfer - Mit Glühbirne Arbeitsscheinwerfer vorne links und hinten rechts - Dach kabine Enkele koplamp - Geleverd met lampje - Werklamp voor links en achter rechts - Dakluik Kabine Faro delantero simple - Con bombilla - Faro de trabajo izquierdo derecho y trasero delantero - Techo de cabina
	3	63/1955-2	AM118013 57M7479	-	Ampoule 12V - 50W Bulb 12V - 50W Glühlampe 12V - 50W Lamp 12V - 50W Bombilla 12V - 50W

# JOHN DEERE

## Eclairage - Lighting - Beleuchtung - Verlichting - Luces




	Fig. Abb. Alf.	Part N°	OEM	Dimensions Dimensions Abmessungen Afmetingen Dimensiones	Description Description Beschreibung Omschrijving Descripción
5500 (USA), 5510 5220, 5320, 5420, 5520 (⇨420000) 6403 (MEX), 6403 South Africa, 6403 (Asian), 6603 (MEX), 6603 South Africa, 6603 (Asian)	1	26/1931-111	RE63232	135x90x85	Optique simple - Livré avec ampoule - Phare de travail droit (garde-boue) Simple headlight - Supplied with bulb - Plough lamp right (fender) Einzelne Frontscheinwerfer - Mit Glühbirne Arbeitsscheinwerfer rechts (Schutzblech) Enkele koplamp - Geleverd met lampje - Werklamp rechts (Spatbord) Faro delantero simple - Con bombilla - Faro de trabajo derecho (guardabarros)
	2	26/1931-112	RE63233		Optique simple - Livré avec ampoule - Phare de travail gauche (garde-boue) Simple headlight - Supplied with bulb - Left working lamp (fender) Einzelne Frontscheinwerfer - Mit Glühbirne Arbeitsscheinwerfer links (Schutzblech) Enkele koplamp - Geleverd met lampje - Werklamp links (Spatbord) Faro delantero simple - Con bombilla - Faro de trabajo izquierdo (guardabarros)
	3	63/1955-2	AM118013 57M7479 R136239	-	Ampoule 12V - 50W Bulb 12V - 50W Glühlampe 12V - 50W Lamp 12V - 50W Bombilla 12V - 50W

# JOHN DEERE

## Eclairage - Lighting - Beleuchtung - Verlichting - Luces



	Fig. Abb. Afb.	Part N°	OEM	Dimensions Abmessungen Afmetingen Dimensiones	Description Description Beschreibung Omschrijving Descripción
7715 (BR) (070001⇔) 7815 (BR) 7720, 7820 (USA), 7920 7630, 7730, 7830, 7930 8120, 8120T, 8130, 8130T, 8220, 8220T, 8230, 8230T, 8320, 8320T, 8330, 8330T, 8420, 8420T, 8430, 8430T, 8520, 8520T, 8530, 8530T	1	26/1931-106	RE173602	165x115x132	Optique simple - Livré avec ampoule - Phare de travail arrière toit de cabine Simple headlight - Supplied with bulb - Plough lamp rear cab roof Einzelne Arbeitsscheinwerfer - Mit Glühbirne - Dacharbeitsscheinwerfer hinten Enkele koplamp - Geleverd met lampje - werklamp achter op cabinedak Faro delantero simple - Con bombilla - Faro de trabajo trasero techo de cabina
	2	63/1955-623	RE179326	-	Ampoule HB3 - 12V - 65W - P20d Bulb - HB3 - 12V - 65W - P20d Glühlampe - HB3 - 12V - 65W - P20d Lamp - HB3 - 12V - 65W - P20d Bombilla - HB3 - 12V - 65W - P20d
7715 (BR) (070001⇔) 7815 (BR) 7720, 7820 (USA), 7920 7630, 7730, 7830, 7930 8120, 8120T, 8130, 8130T, 8220, 8220T, 8230, 8230T, 8320, 8320T, 8330, 8330T, 8420, 8420T, 8430, 8430T, 8520, 8520T, 8530 9120, 9220, 9230, 9320, 9320T, 9330, 9420, 9420T, 9430, 9430T, 9520, 9520T, 9530, 9530T, 9620, 9620T, 9630, 9630T	3	26/1931-107	RE179973	165x115x110	Optique simple - Livré avec ampoule - Phare de travail avant Simple headlight - Supplied with bulb - Plough lamp front cab roof Einzelne Frontscheinwerfer - Mit Glühbirne - Arbeitsscheinwerfer vorne Enkele koplamp - Geleverd met lampje - Werklamp voor Faro delantero simple - Con bombilla - Faro de trabajo delantero
	2	63/1955-623	RE179326	-	Ampoule HB3 - 12V - 65W - P20d Bulb - HB3 - 12V - 65W - P20d Glühlampe - HB3 - 12V - 65W - P20d Lamp - HB3 - 12V - 65W - P20d Bombilla - HB3 - 12V - 65W - P20d

Les références des pièces sont indicatives.  
 Nos pièces ne sont pas d'origine

**"THE RELIABLE SERVICE"**


Part numbers are quoted for reference purposes only.  
 Our parts and accessories are not original.



# JOHN DEERE

## Eclairage - Lighting - Beleuchtung - Verlichting - Luces




	Fig. Abb. Afb.	Part N°	OEM	Dimensions Dimensions Abmessungen Afmetingen Dimensiones	Description Description Beschreibung Omschrijving Descripción
7720, 7820 (USA), 7920 7630, 7730, 7830, 7930 8120, 8120T, 8130, 8220, 8220T, 8230, 8230T, 8320, 8320T, 8330, 8330T, 8420, 8420T, 8430, 8430T, 8520, 8520T, 8530 9120, 9220, 9230, 9320, 9320T, 9330, 9420, 9420T, 9430, 9430T, 9520, 9520T, 9530, 9530T, 9620, 9620T, 9630, 9630T	1	26/1931-108	RE181281	165x117x110	Optique simple - Livré avec ampoule - Phare lateral du toit Simple headlight - Supplied with bulb - Plough lamp side cab roof Einzelne Arbeitsscheinwerfer - Mit Glühbirne - Seitlicher Dachscheinwerfer Enkele koplamp - Geleverd met lampje - Zijdlinkse werkklamp op dak Faro delantero simple - Con bombilla - Faro lateral de techo
	2	63/1955-623	RE179326	-	Ampoule HB3 - 12V - 65W - P20d Bulb - HB3 - 12V - 65W - P20d Glühlampe - HB3 - 12V - 65W - P20d Lamp - HB3 - 12V - 65W - P20d Bombilla - HB3 - 12V - 65W - P20d
7630, 7730, 7830, 7930 8130, 8230, 8230T, 8330, 8330T, 8430, 8430T, 8530	3	26/1931-109	RE236315	165x115x135	Optique simple - Livré avec ampoule - Phare avant du toit (interne) Simple headlight - Supplied with bulb - Plough lamp front roof (inside) Einzelne Arbeitsscheinwerfer - Dachinnenleuchte vorne Enkele koplamp - Geleverd met lampje - Werkklamp voor op dak Faro delantero simple - Con bombilla - Faro delantero de techo (interior)
	2	63/1955-623	RE179326	-	Ampoule HB3 - 12V - 65W - P20d Bulb - HB3 - 12V - 65W - P20d Glühlampe - HB3 - 12V - 65W - P20d Lamp - HB3 - 12V - 65W - P20d Bombilla - HB3 - 12V - 65W - P20d

# JOHN DEERE

## Eclairage - Lighting - Beleuchtung - Verlichting - Luces




	Fig. Abb. Afb.	Part N°	OEM	Dimensions Abmessungen Afmetingen Dimensiones	Description Description Beschreibung Omschrijving Descripción
7630, 7730, 7830, 7930 8130, 8230, 8230T, 8330, 8330T, 8430, 8430T, 8530	1	26/1931-110	RE246425	164x115x135	Optique simple - Livré avec ampoule - Phare avant du toit (version européenne) Simple headlight - Supplied with bulb - Plough lamp front roof Einzelne Arbeitsscheinwerfer - Mit Glühbirne - Dachscheinwerfer erfer vorne (europäische Ausführung) Enkele koplamp - Geleverd met lampje - Werklamp voor op dak (europese uitvoering) Faro delantero simple - Con bombilla - Faro de tabajo delantero de techo (versión europea)
	2	63/1955-623	RE179326	-	Ampoule HB3 - 12V - 65W - P20d Bulb - HB3 - 12V - 65W - P20d Glühlampe - HB3 - 12V - 65W - P20d Lamp - HB3 - 12V - 65W - P20d Bombilla - HB3 - 12V - 65W - P20d
8225R, 8245R, 8270R, 8295R, 8295RT, 8320R, 8320RT, 8345R, 8345RT 8120, 8120T, 8130, 8220, 8220T, 8230, 8230T, 8320, 8320T, 8330, 8330T, 8420, 8420T, 8430, 8430T, 8520, 8520T, 8530 9120, 9220, 9230, 9320, 9320T, 9330, 9420, 9420T, 9430, 9430T, 9520, 9520T, 9530, 9530T, 9620, 9620T, 9630, 9630T	3	26/181-209	RE180613	104x95x98	Optique simple - Livré avec ampoule - Phare avant (capot) Simple Headlight - Supplied with bulb - Headlight front (bonnet) Einzelne Arbeitsscheinwerfer - Mit Glühbirne - Scheinwerfer auf der Haube Enkele koplamp - Geleverd met lampje - Koplamp op motorkap Faro delantero simple - Con bombilla - Faro delantero (capó)
	2	63/1955-623	RE179326	-	Ampoule HB3 - 12V - 65W - P20d Bulb - HB3 - 12V - 65W - P20d Glühlampe - HB3 - 12V - 65W - P20d Lamp - HB3 - 12V - 65W - P20d Bombilla - HB3 - 12V - 65W - P20d

# JOHN DEERE





## Eclairage - Lighting - Beleuchtung - Verlichting - Luces



	Fig. Abb. Afb.	Part N°	OEM	Dimensions Dimensions Abmessungen Afmetingen Dimensiones	Description Description Beschreibung Omschrijving Descripción
8225R, 8245R, 8270R, 8295R, 8295RT, 8320R, 8320RT, 8345R, 8345RT 8120, 8120T, 8130, 8220, 8220T, 8230, 8230T, 8320, 8320T, 8330, 8330T, 8420, 8420T, 8430, 8430T, 8520, 8520T, 8530 9120, 9220, 9230, 9320, 9320T, 9330, 9420, 9420T, 9430, 9430T, 9520, 9520T, 9530, 9530T, 9620, 9620T, 9630, 9630T	1	26/181-211	RE260102 RE173600	165x110x100	Optique simple - Livré avec ampoule - Phare avant (capot) Simple headlight - Supplied with bulb - Front headlight (bonnet) Einzelne Arbeitsscheinwerfer - Mit Glühbirne - Scheinwerfer auf der Haube Enkele koplamp - Geleverd met lampje - Koplamp op motorkap Faro delantero simple - Con bombilla - Faro delantero (capó)
	2	63/1955-472	RE179326	-	Ampoule HB3 - 12V - 65W - P20d Bulb - HB3 - 12V - 65W - P20d Glühlampe - HB3 - 12V - 65W - P20d Lamp - HB3 - 12V - 65W - P20d Bombilla - HB3 - 12V - 65W - P20d
9120, 9220, 9230, 9320, 9320T, 9330, 9420, 9420T, 9430, 9430T, 9520, 9520T, 9530, 9530T, 9620, 9620T, 9630, 9630T	3	26/181-210	RE183405	135x95x95	Optique simple - Livré avec ampoule - Phare avant central (capot) Simple headlight - Supplied with bulb - Center front headlight (bonnet) Einzelne Arbeitsscheinwerfer - Mit Glühbirne - Zentraler Scheinwerfer auf der Haube Enkele koplamp - Geleverd met lampje - Centrale koplamp op motorkap Faro delantero simple - Con bombilla - Faro delantero central (capó)
	4	63/1955-623	RE179326	-	Ampoule HB3 - 12V - 65W - P20d Bulb - HB3 - 12V - 65W - P20d Glühlampe - HB3 - 12V - 65W - P20d Lamp - HB3 - 12V - 65W - P20d Bombilla - HB3 - 12V - 65W - P20d

# JOHN DEERE PARTS

Démarreur - Starter motor - Anlasser - Startmotor - Motore de arranque

Applications Applications	Réf. Ref.	OEM	  
John Deere			
5415, 5415H, 5510, 5510N, 5615, 5715, 5715HC, 5720, 5820 6020, 6020SE, 6120, 6120L, 6120SE, 6215, 6220, 6220L, 6220SE, 6320, 6320L, 6320SE, 6415, 6420, 6420L, 6420S, 6420SE, 6520L,	<b>62/930-237</b> (Iskra) 12V 2,6KW	RE519975 RE506586	3x121      9Z  175

Les références des pièces sont indicatives.  
 Nos pièces ne sont pas d'origine.

Part numbers are quoted for reference purposes only.  
 Our parts and accessories are not original.



# ELECTRICAL PARTS

Ampoule - Bulb - Gloeilamp - Glühlampe - Bombilla




1



2



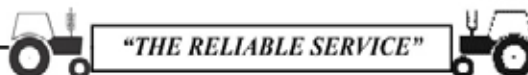
3

	Fig.	Part N°	x1	OEM	Description - Description - Omschrijving - Beschreibung - Descripción
<b>JOHN DEERE</b>					
820, 920, 1020, 1120, 1550, 1750, 1830, 1850, 1850N, 1950, 1950N 2020, 2030, 2120, 2130, 2250, 2450, 2650, 2650N, 2850 3030, 3050, 3120, 3130, 3350, 3650 4050, 4055, 4250, 4255, 4450, 4455, 4555, 4555, 4650, 4755, 4850, 4955	1	63/1955-472	75/1955-472	57M7166	H4 - 12V - 55/60W
5220, 5320, 5420, 5520, 5620, 5720, 5820 6010, 6100, 6110, 6120, 6200, 6205, 6210, 6220, 6300, 6310, 6320, 6400, 6410, 6420, 6505, 6506, 6510, 6520, 6600, 6610, 6620, 6800, 6810, 6820, 6900, 6910, 6920 7200, 7220, 7320, 7400, 7420, 7520, 7600, 7610, 7700, 7710, 7800, 7810 8100, 8110, 8200, 8210, 8300, 8310, 8400, 8410 9100, 9200, 9300, 9400	2	63/1955-2	75/1955-2	R136239 57M7358	12V - 50W
7630, 7730, 7830, 7930 7715, 7815 (Brazil) 7720, 7820, 7920 (North American Edition) 8120, 8120T, 8130, 8220, 8220T, 8230, 8230T, 8320, 8320T, 8330, 8330T, 8420, 8420T, 8430, 8430T, 8520, 8520T, 8530 9120, 9220, 9230, 9320, 9320T, 9330, 9420, 9420T, 9430, 9430T, 9520, 9520T, 9530, 9530T, 9620, 9620T, 9630, 9630T	3	63/1955-623	75/1955-623	RE179326	HB3 12V - 65W

**NEW**

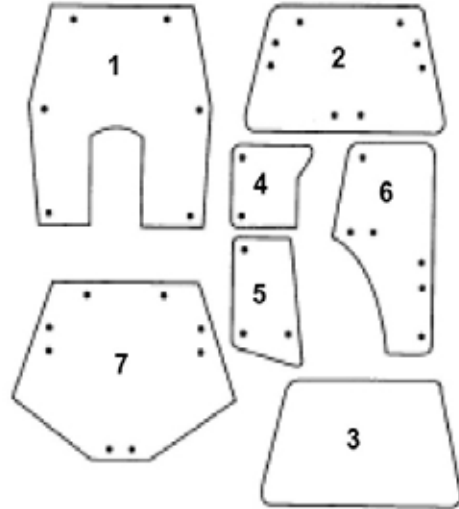
Les références des pièces sont indicatives.  
 Nos pièces ne sont pas d'origine.


Part numbers are quoted for reference purposes only.  
 Our parts and accessories are not original.



# JOHN DEERE PARTS

Vitre de cabine - Cab glass - Kabinenscheiben - Kabineruiten - Cristal de cabina



	Fig.	Parts N°	OEM	Pos.	Specification	Dimensions
SERIE 6020 SERIES <div style="border: 1px solid black; border-radius: 50%; padding: 5px; display: inline-block; margin-left: 100px;">NEW</div>	1	26/4001-37	L166875	A	Fixed-6H-CO	1445x1365x5
	2	26/4004-7	L78725 L78726	B	O-8H-CO	1348x794x5
	3	26/4001-32	L112972	A	Fixed-CO	1348x794x5
	4	26/4012-47	L78534 L151753	C	R-2H-CO	620x480x5
	4	26/4012-46	L78533 L151752	C	L-2H-CO	620x480x5
	5	26/4047-70	L113305	D	R-3H-CO	760x433x5
	5	26/4047-71	L113306	D	L-3H-CO	760x433x5
	6	26/4038-10	L77648	E	R-6H-CO	1430x695x6
	6	26/4039-10	L77647	E	L-6H-CO	1430x695x6
9	26/4072-60	L78727	F	8H-CO	1250x760x6	

**A** = Pare-brise fixe / Windscreen fixed / Frontscheibe fest / Voorruit vast / Parabrisa fijo  
**B** = Pare-brise ouvrant / Windscreen opening / Frontscheibe Öffnet / Voorruit schuifdak / Parabrisa abatible  
**C** = Avant bas / lower front / Vorne / Voorruit / Delantero inferior  
**D** = Latérale / Side / Seite / Zijkant / Lateral  
**E** = Porte / Door / Türscheibe / Deur / Puerta  
**F** = Arrière haut / Upper rear / Hinten oben / Achteraan bovenaan / Trasero superior  
**2H** = 2 Trous / 2 Holes / 2 Bohrungen / 2 Gatn / 2 Agujeros  
**3H** = 3 Trous / 3 Holes / 3 Bohrungen / 3 Gatn / 3 Agujeros  
**6H** = 6 Trous / 6 Holes / 6 Bohrungen / 6 Gatn / 6 Agujeros  
**8H** = 8 Trous / 8 Holes / 8 Bohrungen / 8 Gatn / 8 Agujeros  
**CO** = Convexe / Curved / Konvex / Convex / Convexo  
**L** = Gauche / Left / Links / Links / Izquierdo  
**R** = Droite / Right / Rechts / Rechts / Derecho  
**T** = Tintée / Tinted / Getönt / Getint / Tintado

Les références des pièces sont indicatives.  
Nos pièces ne sont pas d'origine.

Part numbers are quoted for reference purposes only.  
Our parts and accessories are not original.

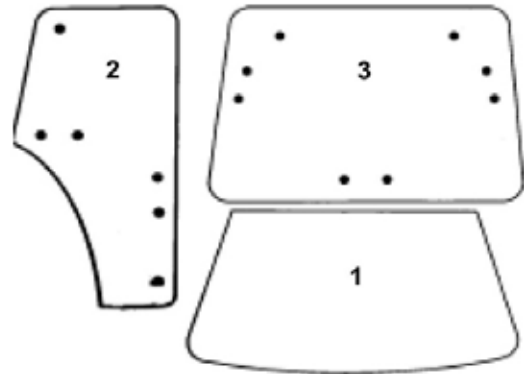



**"THE RELIABLE SERVICE"**



# JOHN DEERE PARTS

Vitre de cabine - Cab glass - Kabinenscheiben - Kabineruiten - Cristal de cabina



	Fig.	Parts N°	OEM	Pos.	Specification	Dimensions	
7600, 7610, 7700, 7710, 7800, 7810	<b>NEW</b>	1	26/4001-38	R114807	A		1375x800x6
		2	26/4038-23T	R131164 R110825	B	R-6H	1430x670x6
		2	26/4039-23T	R131163 R96191	B	L-6H	1430x670x6
		3	26/4072-61	R110990	C	8H	1430x795x6

A = Pare-brise fixe / Windscreen fixed / Frontscheibe fest / Voorruit vast / Parabrisa fijo  
 B = Porte / Door / Türscheibe / Deur / Puerta  
 C = Arrière / Upper / Hinten / Achteraan / Trasero  
 6H = 6 Trous / 6 Holes / 6 Bohrungen / 6 Gaten / 6 Agujeros  
 8H = 8 Trous / 8 Holes / 8 Bohrungen / 8 Gaten / 8 Agujeros  
 L = Gauche / Left / Links / Links / Izquierdo  
 R = Droite / Right / Rechts / Rechts / Derecho  
 T = Tintée / Tinted / Getönt / Getint / Tintado

Les références des pièces sont indicatives.  
 Nos pièces ne sont pas d'origine.

Part numbers are quoted for reference purposes only.  
 Our parts and accessories are not original.





**"THE RELIABLE SERVICE"**



# JOHN DEERE PARTS

## UNITE DE DIRECTION - STEERING UNIT - ORBITROL - STUURVERDELER - ORBITROL

	Ref.	OEM	
6010, 6010SE, 6020, 6020SE, 6110, 6110L, 6110SE, 6120, 6120L, 6120SE, 6210, 6210L, 6210SE, 6215, 6220, 6220L, 6220SE, 6300, 6310, 6310L, 6310S, 6310SE, 6320, 6320L, 6320SE, 6400, 6405, 6410, 6410L, 6410S, 6410SE, 6415, 6420, 6420L, 6420S, 6420SE, 6500, 6510L, 6510S, 6520L, 6615, 6715  6510, 6610, 6810, 6910, 6910S, (A)  6200L, 6300L, 6400L, 6500L (190716- $\leftrightarrow$ )  6405, 6605 (South America)  6520, 6620, 6820, 6920, 6920S (11/06)	26/560-18	AL110258	
6506, 6510, 6510SE, 6520, 6520SE, 6600, 6610, 6610SE, 6620, 6620SE, 6800, 6810, 6820, 6900, 6910, 6910S, 6920, 6920S, 7405 7500, 7505 (ES)  3200, 3400	26/560-42	AL119235 AL82125 AL114630	

- (A) Axle with front wheel brakes
- (A) Pont avant avec freins sur roues avant
- (A) Fronlantriebsachse mit Vorderradbremse
- (A) Vooras met voorwielrem
- (A) Eje de tdm con frenos en ruedas delanteras

Les références des pièces sont indicatives.  
 Nos pièces ne sont pas d'origine.




Part numbers are quoted for reference purposes only.  
 Our parts and accessories are not original.





# JOHN DEERE PARTS

Démarrateurs - Starter motors - Anlasser - Startmotors - Motores de arranque

Applications <i>Applications</i>	Réf. <i>Ref.</i>	OEM	 A x B	
John Deere 6600, 6506, 6800, 6900, 7500 6510, 6610, 6810, 6910 (⇨551900)	<b>62/930-216</b> (Iskra) Avec reducteur <i>With reducer</i>  12V 4,2KW	AL70852 AL81154		3x127 10Z 220
6515, 6520, 6615, 6620, 6715, 6820, 6920 7320, 7420, 7520, 7820 6205, 6505, 6510, 6610, 6810, 6910, 6910S (551901⇨)	<b>62/930-224</b> (Iskra) Avec reducteur <i>With reducer</i>  12V 4,2KW	RE504807 RE503226		3x127 10Z 225

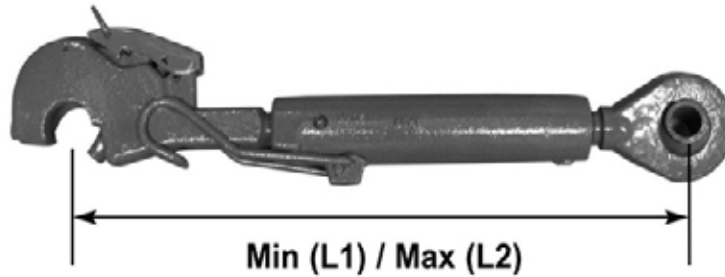
Les références des pièces sont indicatives.  
 Nos pièces ne sont pas d'origine.


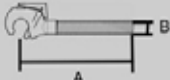


Part numbers are quoted for reference purposes only.  
 Our parts and accessories are not original.



## JOHN DEERE PARTS

Barre de poussée M36x4 - Top link M36x4 - Oberlenker M36x4 -  
 Topstang M36x4 - Tercer punto M36x4



	Ref.	Cat.	L1	L2			
6010, 6010SE, 6020, 6020SE, 6100, 6110, 6100SE, 6110SE, 6120, 6120SE, 6200, 6200SE, 6210, 6210SE, 6220, 6220SE, 6300, 6300SE, 6310, 6310SE, 6320, 6320SE, 6400, 6400SE, 6410, 6410S, 6410SE, 6420, 6420SE, 6500, 6506, 6510, 6510SE, 6520, 6600, 6610	26/700-67 (AL78065)	2	550 mm	735 mm	A = 300mm B = G / LH / L / IZ.	L = 280mm	A = 215mm B = 25,4mm C = D / RH / R / D D = 50,86 E = 89,92

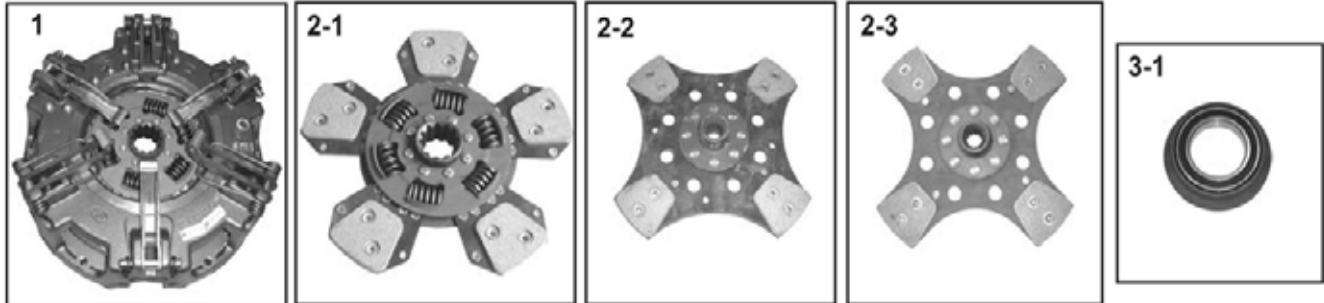
Les références des pièces sont indicatives.  
 Nos pièces ne sont pas d'origine.


Part numbers are quoted for reference purposes only.  
 Our parts and accessories are not original.



# JOHN DEERE PARTS

## Embrayages - Clutches - Kupplungen - Koppelingen - Embragues



	1		2		3
	Embrayage Clutch Kupplung Koppeling Embrague		Disque Plate Scheibe Rijplaat Disco		Butée de débrayage Release bearing Drucklager Drukklager Rodamiento
5300, 5300N, 5400, 5400N, 5500, 5500N	280/280 GU6	26/200-283 (AL120017, ER135120)	280 LG	26/221-283 (AL120108) TC-LS 12Z 34x40 2-1	26/231-283 45x75x16
			280 LM	26/212-283 (ER199071) UC-LR 13Z 19x22 2-2 Epaisseur plaquette 12mm Pads thickness 12mm Dike der Platten 12mm Dikte v.d platen 12mm Grosor de almohadilla 12mm	
5310, 5310N, 5410, 5410N, 5510, 5510N			280 LG	26/221-283 (AL120108) TC-LS 12Z 34x40 2-1	
			280 LM	26/212-284 (AL120118) UC-LR 13Z 19x22 2-3 Epaisseur plaquette 8mm Pads thickness 8mm Dike der Platten 8mm Dikte v.d platen 8mm Grosor de almohadilla 8mm	

GU6 = Commande indépendante, 6 doigts / Independent clutch, 6 levers / Unabhängiggeschaltet / Onafhankelijke bediening, 6 vingers / Independiente, 6 pastillas  
 LG = Friction d'avancement côté BV, montée / Main disc, transmission side, mounted / Fahrscheibe getriebeseitig, eingebaut / Rijplaat aan versnellingsbakzijde, ingebouwd / Disco principal, montado en lado transmisión  
 LM = Friction prise de force côté moteur, libre / PTO disc, engine side, loose / Zapfwelle Motorseitig, lose / Losse afkassiplaat aan motorzijde  
 LR = 4 paires de pastilles / 4 pairs of pads / 4 Paar Beläge / Met 4 paar pads / Con 4 pares de palas  
 LS = 5 paires de pastilles / 5 pairs of pads / 5 Paar Beläge / Met 5 paar pads / Con 5 pares de palas  
 TC = Cera-métallique à ressort / Spring cera-metallic / Cerasinter-Belag, gefedert / Sintmetaal met veren / Ceramético con muelles  
 UC = Cera-métallique fixe / Fixed cera-metallic / Cerasinter-Belag, ungedert / Sintmetaal vast, niet geveerd / Ceramético sin muelles

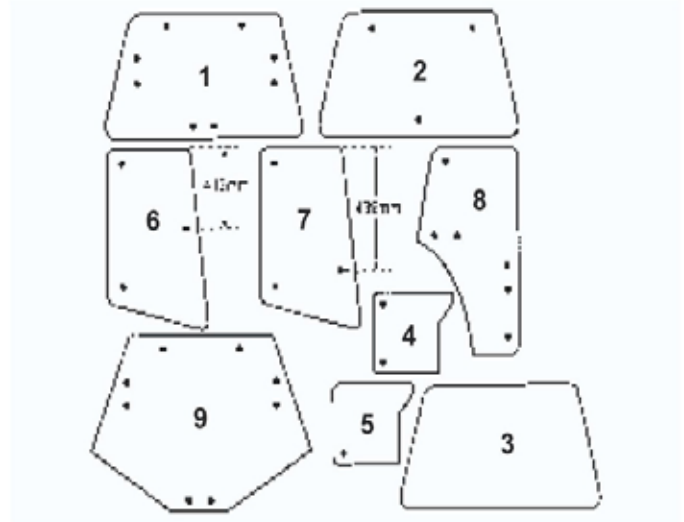
Les références des pièces sont indicatives.  
Nos pièces ne sont pas d'origine.


Part numbers are quoted for reference purposes only.  
Our parts and accessories are not original.



# JOHN DEERE PARTS

Vitre de cabine - Cab glass - Kabinenscheiben - Kabineruiten - Cristal de cabina



	Fig.	Parts N°	OEM	Pos.	Specification		
SERIE 6000 SERIES  <div style="border: 1px solid black; border-radius: 50%; width: 40px; height: 40px; display: flex; align-items: center; justify-content: center; margin: 10px auto;"> <span style="font-weight: bold; font-size: 1.2em;">NEW</span> </div>	1	26/4004-7	L78725	A	O-8H	1348x794x5	K/BLT
	2	26/4000-59	L78733	A	3H	1348x794x5	BLT
	3	26/4001-32	L112972	A		1348x794x5	GR
	4	26/4012-47	L78534	B	R-2H	620x480x5	T BLT
	5	26/4012-63	L114753	B	L-1H	620x480x5	
	4	26/4012-46	L78533	B	L-2H	620x480x5	
	5	26/4012-64	L114754	B	R-1H	620x480x5	
	6	26/4047-52	L78538	D	R-3H	760x433x5	
	7	26/4047-70	L113305	D	R-3H	760x433x5	
	6	26/4047-51	L78537	D	L-3H	760x433x5	
	7	26/4047-71	L113306	D	L-3H	760x433x5	
	8	26/4038-10	L77648	C	R-6H	1430x695x6	
	8	26/4039-10	L77647	C	L-6H	1430x695x6	
9	26/4072-60	L78727	F	8H	1250x760x6	K/BLT	

**A** = Pare-brise / Windscreen / Frontscheibe / Voorruit / Parabrisa  
**B** = Avant bas / lower front / Vorne / Voorruit / Delantero inferior  
**C** = Porte / Door / Türscheibe / Deur / Puerta  
**D** = Latérale / Side / Seite / Zijkant / Lateral  
**F** = Vitre arrière / Rear window / Hinten / Achteraan / Cristal trasero  
**1H** = 1 Trou / 1 Hole / 1 Bohrung / 1 Gaat / 1 Agujero  
**2H** = 2 Trous / 2 Holes / 2 Bohrungen / 2 Gatens / 2 Agujeros  
**3H** = 3 Trous / 3 Holes / 3 Bohrungen / 3 Gatens / 3 Agujeros  
**6H** = 6 Trous / 6 Holes / 6 Bohrungen / 6 Gatens / 6 Agujeros

**8H** = 8 Trous / 8 Holes / 8 Bohrungen / 8 Gatens / 8 Agujeros  
**O** = Ouvrant / Opening / Öffnet / Schuifdak / Abatible  
**L** = Gauche / Left / Links / Links / Izquierdo  
**R** = Droite / Right / Rechts / Rechts / Derecho  
**T** = Tintée / Tinted / Getönt / Getint / Tintado  
**BLT** = Visser / Bolt on / Fest / Vast / con tornillos / Fijo  
**GR** = Avec joint / Glazing rubber / Dichtung / Ruitrubbers / Con perfil  
**K** = Avec butoir caoutchouc / Knock on rubber / Mit Gummi Einlage / Rubber inzetring / Con goma

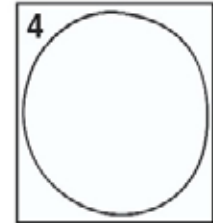
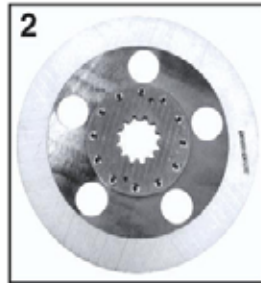
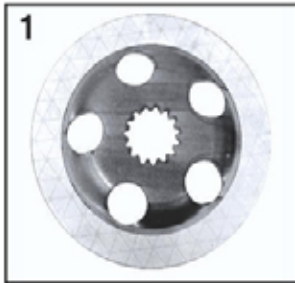
Les références des pièces sont indicatives.  
Nos pièces ne sont pas d'origine.


Part numbers are quoted for reference purposes only.  
Our parts and accessories are not original.



# JOHN DEERE PARTS

## Frein - Brake - Bremse - Remonderdeel - Freno



	Fig.	PART N°	OEM
3030, 3130	1	26/422-24 Ø305mm 15Z TK.: 11mm	AL68095
840, 940, 1040, 1140, 1350, 1550, 1640, 1750, 1750V, 1840, 1850, 1850F, 1850V, 1950, 1950F, 1950N, 2040, 2250, 2250F, 2450, 2450F, 2650, 2650F, 2850	2	26/422-25 Ø306mm 12Z TK.: 4,9mm	AL65872
6010, 6100(SE), 6101SE, 6110(SE), 6200(SE), 6205, 6210(SE), 6300(SE), 6310(SE), 6400(SE), 6410(SE), 6505, 6506, 6510(SE), 6600, 6610(SE)	2	26/422-27 Ø313mm 14Z TK.: 4,9mm	AL111498 AL75434
6010, 6100(SE), 6101(SE), 6110(SE), 6200(SE), 6210(SE), 6300(SE), 6310(SE), 6400(SE), 6410(SE), 6506, 6510(SE), 6600, 6610(SE)	2	26/422-28 Ø313mm 14Z TK.: 5,9mm	AL112982
3040, 3140, 3340, 3640, 3640S	3	26/417-17 TK.: 50mm	L40395
840, 940, 1040, 1140, 1350, 1550, 1640, 1750, 1840, 1850, 1850F, 1950, 1950F, 1950N, 2040, 2040S, 2250, 2650, 2650F, 2650N, 2450, 2850	3	26/417-18 TK.: 41mm	L63944 L60890
3050, 3150, 3350, 3650	3	26/417-19 TK.: 48,5mm	L65164 L60889 L63946
1350, 1550, 1750, 1850, 1950, 1950N, 2250, 2450, 2650, 2650F, 2650N, 2850, 5200, 5300, 5400, 5400N, 5500, 5500N	4	26/416-13	L60888
3040, 3050, 3140, 3150, 3340, 3350, 3640, 3640S, 3650	4	26/416-14	L56245 L39941
1350, 1550, 1750, 1850, 1950, 1950N, 2250, 2450, 2650, 2650F, 2650N, 2850, 3040, 3050, 3140, 3150, 3340, 3350, 3640, 3640S, 3650, 5200, 5300, 5400, 5400N, 5500, 5500N, 6100(SE), 6101(SE), 6010, 6110(SE), 6200(SE), 6205, 6210(SE), 6300(SE), 6310(SE), 6400(SE), 6410(SE), 6505, 6506, 6510(SE), 6600, 6610(SE)	4	26/416-15	L56246 L39942

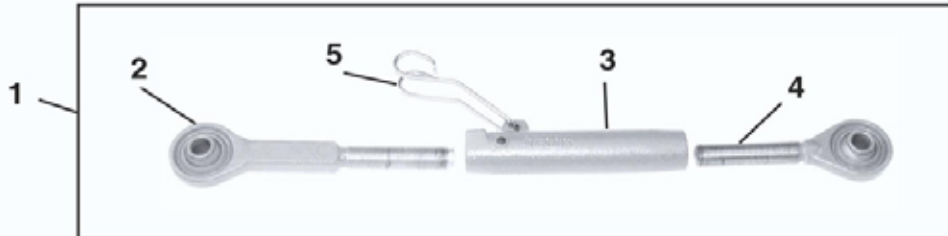
Les références des pièces sont indicatives.  
Nos pièces ne sont pas d'origine.


Part numbers are quoted for reference purposes only.  
Our parts and accessories are not original.



# JOHN DEERE PARTS

## Attelage - Linkage - Dreipunktgestange Hefstang - Enganche



	Fig.	PART N°	OEM
6010, 6100, 6101, 6110, 6200, 6205, 6210, 6300, 6310, 6400, 6410, 6505, 6506, 6510(SE), 6600, 6610	1	26/700-25	AL78064
	2	26/703-25	AL78072
	3	26/702-25	L78791
	4	26/701-25	AL78068
	5	26/702-26S	L56746

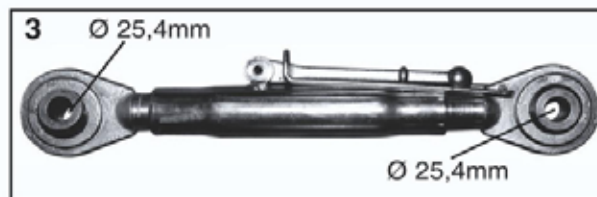
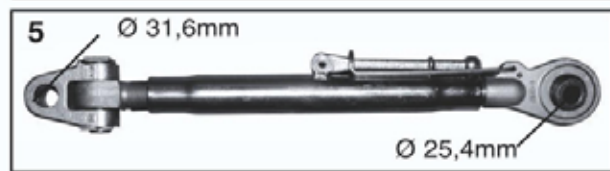
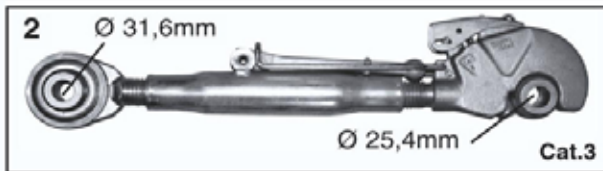
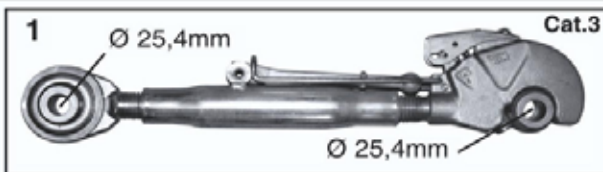


	Fig	Parts N°	Lg. Tube	Dim.	Thread
"6000" & "7000" Series	1	26/700-27	L=295mm	535mm → 810mm	M36
	2	26/700-28	L=370mm	635mm → 910mm	M36
	3	26/700-29	L=290mm	490mm → 570mm	M42
"5000" Series	4	26/700-30	L=295mm	545mm → 795mm	M36
"8000" Series	5	26/700-31	L=440mm	710mm → 995mm	M42


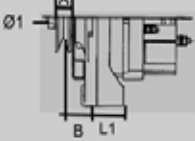
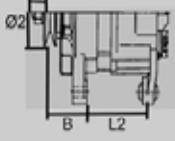





Les références des pièces sont indicatives.  
Nos pièces ne sont pas d'origine.

Part numbers are quoted for reference purposes only.  
Our parts and accessories are not original.



# JOHN DEERE PARTS

**Alternateur - Alternator - Drehstromlichtmaschine -  
Wisselstroomdynamo - Alternador**

	Parts N°			
 6100, 6200, 6300, 6400 (116317⇒) 6100SE, 6200SE, 6300SE, 6400SE, 6506, 6600, 6800, 6900   2054, 2056, 2058, 2064, 2066, 2254, 2256, 2258	<b>62/920-160</b> (AL81438)	14V / 120A	 Ø2 L1 65x8 50	
 6100, 6200, 6300, 6400 (⇒116316)	<b>62/920-164</b> (AL78692)	14V / 120A  Sans poulie Less poley Ohne Riemenscheibe Zonder poelie Sin polea	 L1 56	



















Les références des pièces sont indicatives.  
Nos pièces ne sont pas d'origine.

Part numbers are quoted for reference purposes only.  
Our parts and accessories are not original.



# JOHN DEERE PARTS

Démarrateurs avec réducteur - Starter motors with reducer - Anlasser mit Reduzierer - Startmotor met reductie - Motores de arranque con reductor

	Parts N°	OEM		 A x B  Z	
 3029, 4039, 4045D, 4239D, 4239T, 4276, 6059, 6068, 6329D, 6359D, 6359T, 2.9L PT, 4.5L PT	62/930-197	RE51725 RE52120 RE19737 RE49352	24V 4.0KW	2x105 Z10	 220mm
 4045D, 4045T, 6068D, 6068T, 6059D, 6059T, 2.9L PT, 4.5L PT, 6.8L PT  4400, 4500  1170	62/930-198	RE503093 RE504009 RE59010 RT7700040288 R116617 RE68783	12V 4,2KW Z10	3x127 Z10	 205mm
 Serie 6000  Power Tech 6.8L, 4.8L 4045DF270, 4045TF270	62/930-190	RE505744 RE507639 AL70852 AL81154	12V 4.2 KW	2x105 Z10	 220mm
 Séries 10, 20, 30, 40, 50 Series	62/930-178	AL11503 AL41247 AL62691 AL62773 AL78760 AL110503 AL110504	12 V 3 kW	2x105 Z10	 195mm
	62/939-67	Lanceur Drive ass. Ritzel Bendix Piñon	10 dents - 38 can. 10 teeth - 38 spli. 10 Zäh. - 38 Nut. 10 tand. - 38 tand. 10 dient. - 38 est.		
	62/940-67	Relais Solinoid Solinoide Relais Starrelais			

Les références des pièces sont indicatives.  
Nos pièces ne sont pas d'origine.

Part numbers are quoted for reference purposes only.  
Our parts and accessories are not original.





# JOHN DEERE PARTS

## Rétroviseur - Mirror - Spiegel - Spiegel - Retrovisor

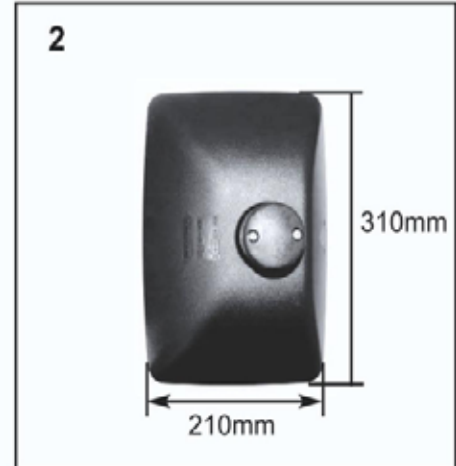
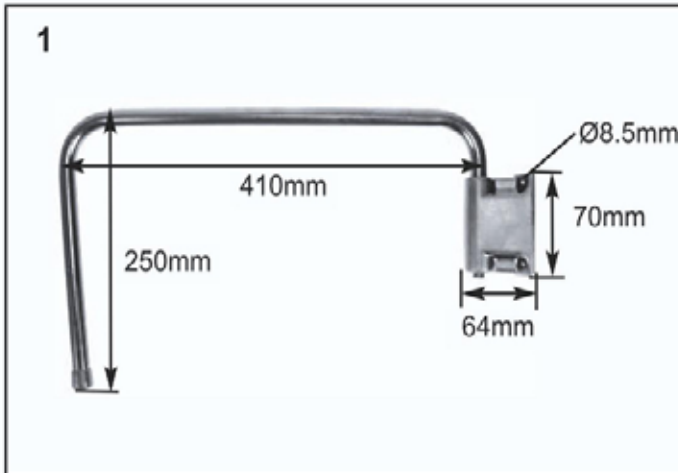


	Fig.	Part N°	OEM	
5620, 5720, 5820, 6010SE, 6020SE, 6110, 6100, 6100SE, 6110SE, 6120, 6120SE, 6200, 6200SE, 6210, 6210SE, 6220, 6220SE, 6300, 6300SE, 6310, 6310SE, 6320SE, 6400, 6405, 6410, 6400SE, 6410SE, 6420SE, 6506, 6510, 6510SE, 6520, 6520SE, 6600, 6605, 6610, 6610SE, 6620, 6620SE, 6800, 6810, 6820, 6900, 6910, 6910S, 6920, 6920S	1	70/4172-32	AL77485	LH
		70/4172-33	AL77486	RH
3200, 3215, 3220, 3400, 3415, 3420, 3800		70/4172-32	AL77485	LH
5620, 5720, 5820, 6010SE, 6020SE, 6110, 6100, 6100SE, 6110SE, 6120, 6120SE, 6200, 6200SE, 6210, 6210SE, 6220, 6220SE, 6300, 6300SE, 6310, 6310SE, 6320SE, 6400, 6405, 6410, 6400SE, 6410SE, 6420SE, 6506, 6510, 6510SE, 6520, 6520SE, 6600, 6605, 6610, 6610SE, 6620, 6620SE, 6800, 6810, 6820, 6900, 6910, 6910S, 6920, 6920S	2	70/4172-203 <b>NEW</b>	AL78021	
3200, 3215, 3220, 3400, 3415, 3420, 3800				

Les références des pièces sont indicatives.  
 Nos pièces ne sont pas d'origine.


Part numbers are quoted for reference purposes only.  
 Our parts and accessories are not original.



## JOHN DEERE PARTS

**Alternateur - Alternator - Drehstromlichtmaschine -  
Wisselstroomdynamo - Alternador**



	Part N°	Oem	Remarque Observation Anmerkung Opmerking Observación
5620, 5720, 5820, 6010, 6010SE, 6020SE, 6110, 6110SE, 6120, 6120SE, 6210, 6210SE, 6220, 6220SE, 6310, 6310SE, 6320, 6320SE, 6410, 6410SE, 6420, 6420S, 6420SE, 6510, 6510SE, 6520, 6520SE, 6610, 6620, 6620SE, 6610SE, 6810, 6820, 6910, 6920, 6910S, 6920S, 7220, 7320, 7420, 7520  N.A 6120, 6110, 6205, 6210, 6220, 6310, 6310S, 6320, 6405, 6505, 6410, 6410S, 6420, 6510S, 6605,	<b>62/920-163</b>	AL114092 AL114093 AL111676	14V 120A

**N.A** = Amérique du nord / North America / Nordamerika / Noord-Amerika / América del norte

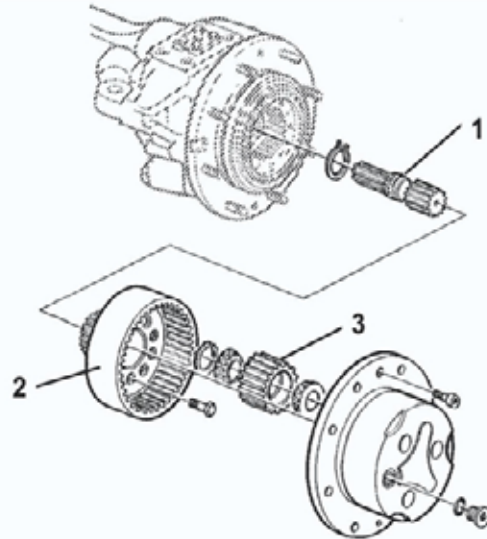
Les références des pièces sont indicatives.  
 Nos pièces ne sont pas d'origine.







*Part numbers are quoted for reference purposes only.  
 Our parts and accessories are not original.*



# JOHN DEERE PARTS

Pont avant "ZF" - "ZF" front axle - Vorderachse ZF - Vooras ZF - Eje delantero ZF



	ZF	Fig.	Parts N°	Oem
 6100, 6200, 6200NA (⇒124984)		1	26/6406-24	L100167
		2	26/6430-21	L100166
		3	26/6431-19	L79728
 6100, 6200, 6200 NA (124985⇒) 6010, 6010SE, 6020, 6020SE, 6100SE, 6110, 6110NA, 6110SE, 6120, 6120NA, 6120SE, 6200SE, 6205, 6210, 6210NA, 6210SE, 6215, 6215NA, 6220, 6220NA, 6220SE, 6300SE, 6310, 6310SE, 6315NA, 6320SE, 6400SE, 6405NA, 6410, 6410SE, 6420SE, 6515	APL2025	1	26/6406-25	L110236
		2	26/6430-22	L110235
		3	26/6431-20	L110237
 3200, 3215, 3220 (Pont arrière / Rear axle / Hinten Welle / As achter / Puente trasero)				
 6300, 6300NA, 6400, 6400NA (⇒124984)	APL2035	1	26/6406-21	L79727
 6300, 6300NA, 6310, 6310NA, 6310S NA, 6400, 6400NA, 6405NA, 6410, 6410NA, 6410S NA, 6500NA, 6510S NA, 6403NA, 6603NA  6010, 6110, 6210, 6010SE, 6020, 6020SE, 6110SE, 6120, 6120SE, 6210SE, 6220, 6220SE, 6310SE, 6320, 6320SE, 6410SE, 6420, 6420SE (Vigneron / Narrow tractor / Weinbautraktor / Smalspoor tractor / Tractor estrecho)		2	26/6430-19	L79729
 3400, 3415, 3800 (Pont arrière / Rear axle / Hinten Welle / As achter / Puente trasero)  3200, 3215, 3220, 3415, 3420 (Pont avant / Front axle / Vorne Welle / As Voorruit / Puente delantero)				

NA = Amérique du nord/North America/Nordamerika/Noord-Amerika/América del norte

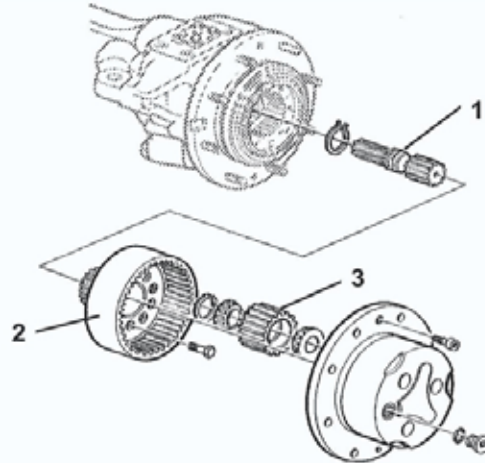
Les références des pièces sont indicatives.  
 Nos pièces ne sont pas d'origine.







Part numbers are quoted for reference purposes only.  
 Our parts and accessories are not original.



## JOHN DEERE PARTS

Pont avant "ZF" - "ZF" front axle - Vorderachse ZF - Vooras ZF - Eje delantero ZF



	ZF	Fig.	Parts N°	Oem
 6300, 6300NA, 6400, 6400NA, 6500NA (124985⇒) 6310, 6310NA, 6310S NA, 6403NA, 6405NA, 6410, 6410NA, 6410S NA, 6510S NA, 6603NA  6010, 6010SE, 6020, 6020SE, 6110, 6110SE, 6120, 6120SE, 6210, 6210SE, 6220, 6220SE, 6310SE, 6320, 6320SE, 6410SE, 6420, 6420SE (Vigneron / Narrow tractor / Weinbautraktor / Smalspoor tractor / Tractor estrecho)	APL2035	1	26/6406-22	L110240
		3	26/6431-17	L100241 Except serie 3000
 3400, 3415, 3420, 3800 (Pont arrière / Rear axle / Hinten Welle / As achter / Puente trasero)  3200, 3215, 3220 (Pont avant / Front axle / Vorne Welle / As Voorruit / Puente delantero)				
 6505, 6506, 6510, 6510SE, 6520, 6600, 6605, 6610, 6610SE, 6620, 6800, 6810, 7405, 7500  7210, 7410 (052869⇒)		1	26/6406-23	L101650
 6505, 6506, 6510, 6510SE, 6515, 6520, 6520SE, 6600, 6605NA, 6610, 6610SE, 6615, 6620, 6715, 6800, 6810, 6820, 7220, 7320, 7405, 7500  7210, 7410 (052869⇒)	APL2045	2	26/6430-20	L101724
 3400, 3415, 3420 3800 (Pont avant / Front axle / Vorne Welle / As Voorruit / Puente delantero)				
 6506, 6600, 6800, 7500, 7405  6510, 6510SE, 6605, 6610, 6610SE, 6810 (⇒032313)		3	26/6431-18	L101725

NA = Amérique du nord/North America/Nordamerika/Noord-Amerika/América del norte

Les références des pièces sont indicatives.  
 Nos pièces ne sont pas d'origine.




Part numbers are quoted for reference purposes only.  
 Our parts and accessories are not original.



## JOHN DEERE PARTS

Feux arrière - Rear side light - Rückleuchte - Breedtelicht - Piloto trasero



	Part N°	OEM	Description - Description - Beschreibung - Omschrijving Descripción
 5605, 5615, 5705, 5715, 6010, 6010SE, 6100, 6100SE, 6110, 6110SE, 6200, 6200SE, 6210, 6210SE, 6300, 6300SE, 6310, 6310SE, 6400, 6400SE, 6405, 6410, 6410SE, 6506, 6510, 6510SE, 6600, 6605, 6610, 6610SE, 6800, 6810, 6900, 6910, 6910S 7505, 7600, 7610, 7700, 7710, 7800, 7810, 8100, 8200, 8300, 8400	26/1912-170	AL112012 AL112964 AL77138	Ampoules 12V-21W et 12V21/5W Bulbs 12V-21W and 12V21/5W Gloeilampe 12V-21W und 12V21/5W Glühlampen 12V-21W en 12V21/5W Bombillas 12V-21W y 12V21/5W
 3200, 3215, 3220, 3400, 3415, 3420, 3800			
 1170, 2054, 2056, 2058, 2064, 2066, 2254, 2256, 2258, 2264, 2266, 2266A, 9540, 9560, 9580, 9640, 9660, 9680, 9780, 9880			

Les références des pièces sont indicatives.  
 Nos pièces ne sont pas d'origine.

Part numbers are quoted for reference purposes only.  
 Our parts and accessories are not original.








# JOHN DEERE PARTS

Démarrreur - Starter motor - Anlasser - Startmotor - Motor de arranque



Avec réducteur  
 With reducer  
 Mit Reduzierer  
 Met reductie  
 Con reductor

	Part N°	OEM		 Ax B		
Serie 6000 Power Tech 6.8L, 4.8L 4045DF270, 4045TF270	<b>62/930-190</b>	RE505744 RE507639 AL70852 AL81154	10 Z	10mm (A) x 125 mm (B)	220mm	4.2 KW 12V




Les références des pièces sont indicatives.  
 Nos pièces ne sont pas d'origine.

Part numbers are quoted for reference purposes only.  
 Our parts and accessories are not original.



# JOHN DEERE PARTS

Arbre de PDF - PTO Shaft - PTO Welle - PTO Aftakas - Eje de TDF

	Part N°	OEM	
3030, 3040, 3050, 3120, 3130, 3135, 3140, 3150, 3340, 3350, 3650	26/303-102	T28672	Lg. 290mm <b>NEW</b> 1000 RPM  21Z 16Z 6Z
	26/303-22		Lg. 290mm 1000 RPM  21Z 16Z 21Z

Les références des pièces sont indicatives.  
 Nos pièces ne sont pas d'origine.



Part numbers are quoted for reference purposes only.  
 Our parts and accessories are not original.



## JOHN DEERE PARTS

Phare de travail - Work light - Arbeitsscheinwerfer -  
 Werklamp - Faro de trabajo



	Part N°	OEM	Description - Description Beschreibung - Omschrijving - Descripción
 5220, 5320, 5420, 5520, 5620, 5720, 5820, 6120, 6220, 6320, 6420, 6420S, 6520, 6620, 6820, 6920, 6920S, 7220, 7320, 7420, 7520	26/1931-36	AL150478 AL119291	Ampoule H3 12V 55W Bulb H3 12V 55W Gloeilamp H3 12V 55W Glühlamp H3 12V 55W Bombilla H3 12V 55W
 3215, 3220, 3415, 3420, 3800			

Les références des pièces sont indicatives.  
 Nos pièces ne sont pas d'origine.

Part numbers are quoted for reference purposes only.  
 Our parts and accessories are not original.







## JOHN DEERE PARTS

**Alternateur - Alternator - Drehstromlichtmaschine -  
Wisselstroomdynamo - Alternador**



	Parts N°	Oem	Remarque Observation Anmerkung Opmerking Observación
 6100, 6200, 6300, 6400 (116317⇒) 6100SE, 6200SE, 6300SE, 6400SE, 6506, 6600, 6800, 6900	<b>62/920-160</b>	AL81438	14V 120A
 2054, 2056, 2058, 2064, 2066, 2254, 2256, 2258			

Les références des pièces sont indicatives.  
 Nos pièces ne sont pas d'origine.




Part numbers are quoted for reference purposes only.  
 Our parts and accessories are not original.



# JOHN DEERE PARTS

Bras de rétroviseur - Mirror arm - Spiegel arm -  
 Spiegelsteun - Brazo retrovisor



	Fig.	Part N°	OEM	
 Serie 6000	1	70/4172-32	AL77485	LH
		70/4172-33	AL77486	RH
 3200, 3400, 3800		70/4172-32	AL77485	LH

Les références des pièces sont indicatives.  
 Nos pièces ne sont pas d'origine.


Part numbers are quoted for reference purposes only.  
 Our parts and accessories are not original.



## JOHN DEERE PARTS

Pompe d'alimentation - Fuel pump - Kraftstoffförderpumpe -  
 Opvoerpomp - Bomba de gas-oil



	Part N°	OEM
6010, 6010SE, 6020, 6100, 6100SE, 6110, 6110SE, 6120, 6200, 6200SE, 6205, 6210, 6210SE, 6215, 6220, 6300, 6300SE, 6310, 6310SE, 6320, 6400, 6400SE, 6410, 6410SE, 6420, 6505, 6506, 6510, 6510SE, 6600, 6610, 6610SE, 6800, 6810, 6900, 6910	26/100-90	AL78405 AL81173 AL113125

Les références des pièces sont indicatives.  
 Nos pièces ne sont pas d'origine.


Part numbers are quoted for reference purposes only.  
 Our parts and accessories are not original.



# JOHN DEERE PARTS

Vérin à gaz - Gas strut - Gascilinder - Gasfedern - Amortiguador



	Part N°	OEM	Description - Description - Omschrijving - Beschreibung - Descripción
SE6010, SE6020, 6100, SE6100, 6110, SE6110, 6120, SE6120, 6200, SE6200, 6210, SE6210, 6220, SE6220, 6300, SE6300, 6310, SE6310, 6320, SE6320, 6400, SE6400, 6410, SE6410, 6420, 6420S, SE6420, 6506, 6510, SE6510, 6520, SE6520, 6600, 6610, SE6610, 6620, 6800, 6810, 6820, 6900, 6910, 6910S, 6920, 6920S	26/871-47	AL75479 AL82634	Toit - Roof - Dak - Dach - Techo

Les références des pièces sont indicatives.  
 Nos pièces ne sont pas d'origine.

Part numbers are quoted for reference purposes only.  
 Our parts and accessories are not original.




**"THE RELIABLE SERVICE"**



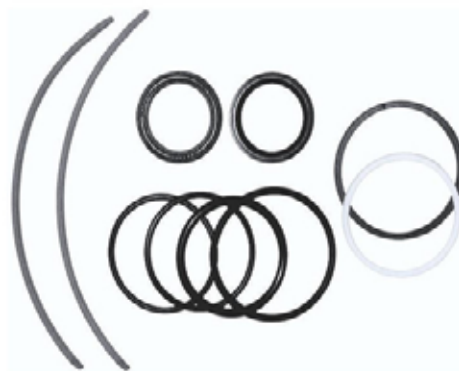
## JOHN DEERE PARTS


Tige de vérin de direction - Steering cylinder stem - Stuercilinderstang -  
 Lenkungszylinderstiel - Vástago del cilindro de dirección



	Part N°	OEM
7200, 7400 7600, 7700, 7800 7610, 7710, 7810 8100, 8200, 8300, 8400	<b>26/581-42</b>	R158652 R123988 R119268

Kit de joints vérin de direction - Steering cylinder seal kit - Stuercilinder dichtingsset-  
 Lenkhilfszylinder Dichtungssatz- Juego de retenes del cilindro de dirección



	Part N°	OEM
1640, 2040, 2040S, 2140, 3040, 3140 3340 (⇒ 115159) 2250, 2450, 2650, 2850, 3050, 3350	<b>26/585-17</b>	AL33039

Les références des pièces sont indicatives.  
 Nos pièces ne sont pas d'origine.


Part numbers are quoted for reference purposes only.  
 Our parts and accessories are not original.



# JOHN DEERE PARTS

Tuyau d'échappement - Exhaust pipe - Uitlaatdemper -  
 Schalldämpfer - Tubo de escape



	Part N°	OEM	Description - Description - Omschrijving - Beschreibung - Descripción
6100, 6200, 6300, 6400 (143102 ) SE6100, SE6200, SE6300, SE6400, 6010, 6110, 6210, 6310, 6410, SE6010, SE6110, SE6210, SE6310, SE6410, 6205	<b>26/166-19</b>	L102236	Email noir - Black enamel - Zwart email - Schwarze Emaille - Esmaltado negro

Les références des pièces sont indicatives.  
 Nos pièces ne sont pas d'origine.

Part numbers are quoted for reference purposes only.  
 Our parts and accessories are not original.








**"THE RELIABLE SERVICE"**



# JOHN DEERE PARTS

Démarreur - Starter motor - Startmotor - Anlasser - Motor de arranque



	Fig.	OEM	Part N°		 A x B	 z	 L
Séries 10, 20, 30, 40, 50 Series	1	AL11503 AL41247 AL62691 AL62773 AL78760 AL110503 AL110504 AR70437 AT23401 RE60384 RE500733	<b>62/930-178</b> Avec réducteur With reducer Met reductie Mit Reduzierung Con reductor	12 V - 3 kW	2 x 105 mm	10 z	195 mm
John Deere USA 3020, 4030, 4040, 4240, 4320, 4430, 4520, 4620, 4630, 4640, 4840, 5720, 5730, 5820, 5830, 6030, 7020, 8430, 8440, 8450, 9500	2		<b>62/930-143</b>	12 V - 4 kW	3 x 127 mm	10 z	230 mm
John Deere USA Moteur PowerTech Motor	3	RE68470	<b>62/930-179</b>	12 V - 2.8 kW	2 x 105 mm	10 z	235 mm

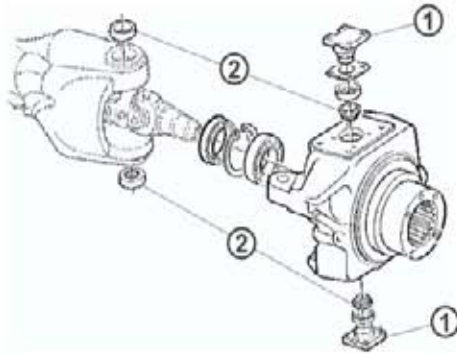
Les références des pièces sont indicatives.  
 Nos pièces ne sont pas d'origine.


Part numbers are quoted for reference purposes only.  
 Our parts and accessories are not original.



# JOHN DEERE PARTS

Pièces d'avant-train - Front axle parts - Voorasdelen -  
 Vorderachsteile - Piezas para el eje delantero



	1	2
6010, 6010SE, 6100, 6100SE, 6110, 6110SE, 6200, 6200SE, 6210, 6210SE, 6300, 6300SE, 6310, 6310SE, 6400, 6400SE, 6410, 6410SE, 6205	<b>26/6450-23</b> (AL79901)	<b>26/6451-22</b> (T188397, T151074)
6506, 6510, 6600, 6610, 6800, 6810, 6505		
6900		<b>26/6451-32</b> (AL111096, AT117348)
7600, 7610, 7700, 7710, 7800, 7810, 8100, 8110, 8200, 8210, 8300, 8310, 8400, 8410		<b>26/6451-33</b> (AR94761, R72090)

Les références des pièces sont indicatives.  
 Nos pièces ne sont pas d'origine.

Part numbers are quoted for reference purposes only.  
 Our parts and accessories are not original.





## JOHN DEERE PARTS


Pompe à eau - Water pump - Waterpomp - Wasserpumpe - Bomba de agua



	Part N°	OEM
4040 (⇒ 471012), 3050, 3150, 3350, 3650	26/130-195	AR79882 RE26927 RE31600

Radiateur - Radiator - Radiateur - Kühler - Radiador



	Part N°	OEM
7600, 7610, 7700, 7710, 7800, 7810	26/150-71	RE63188 RE50311

Les références des pièces sont indicatives.  
 Nos pièces ne sont pas d'origine.

Part numbers are quoted for reference purposes only.  
 Our parts and accessories are not original.




**"THE RELIABLE SERVICE"**



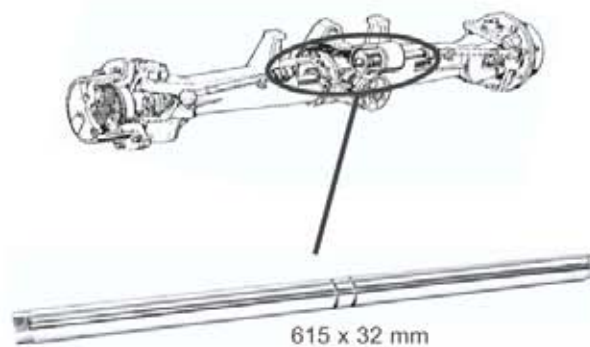
## JOHN DEERE PARTS


Arbres de relevage hydraulique - Hydraulic lift shafts -  
 Hefassen - Hubwelle - Ejes alzamiento hidráulico



	Fig.	Ref.	OEM
6010, 6100, 6110, 6200, 6205, 6210, 6300, 6310, 6400, 6410, 6505, 6506, 6510, 6600, 6610	1	26/685-10	L152475
6800, 6810, 6900, 6910, 6910S, 7200, 7400	2	26/685-11	R126709 R111550

Tige de vérin - Cylinder stem - Cilinderstang - Zylinderstiel - Vástago del cilindro



	Ref.	OEM
1640, 2040, 2040S (450000 ⇔), 1840, 2140 (000274 ⇔), 2650 (⇔ 724195), 2250, 2450, 2650	26/581-39	L40211

Les références des pièces sont indicatives.  
 Nos pièces ne sont pas d'origine.

Part numbers are quoted for reference purposes only.  
 Our parts and accessories are not original.

## JOHN DEERE PARTS


Echappements - Silencers - Uitlaatdempers - Schalldämpfer - Silenciosos





1



2

	Fig.	Ref.	OEM
6100, 6100SE, 6010, 6010SE	1	26/165-154	AL78007
6110, 6110SE, 6200, 6200SE, 6205, 6210, 6210SE, 6300, 6300SE, 6310, 6310SE, 6400, 6400SE, 6410, 6410SE	2	26/165-141	AL113991 AL78267

Arbre de prise de force - PTO Shaft - As PTO - Welle PTO - Eje de TDF

	Ref.	OEM	Description - Description - Omschrijving - Beschreibung Descripción
840, 940, 1040, 1140, 1640, 2040, 2040S, 2140 1350, 1550, 1750, 1850, 1850F, 1950, 1950F, 1950F, 2250, 2250F, 2450, 2450F, 2650, 2650F, 2650N, 2850	26/303-99	L34193	

Les références des pièces sont indicatives.  
 Nos pièces ne sont pas d'origine.

Part numbers are quoted for reference purposes only.  
 Our parts and accessories are not original.

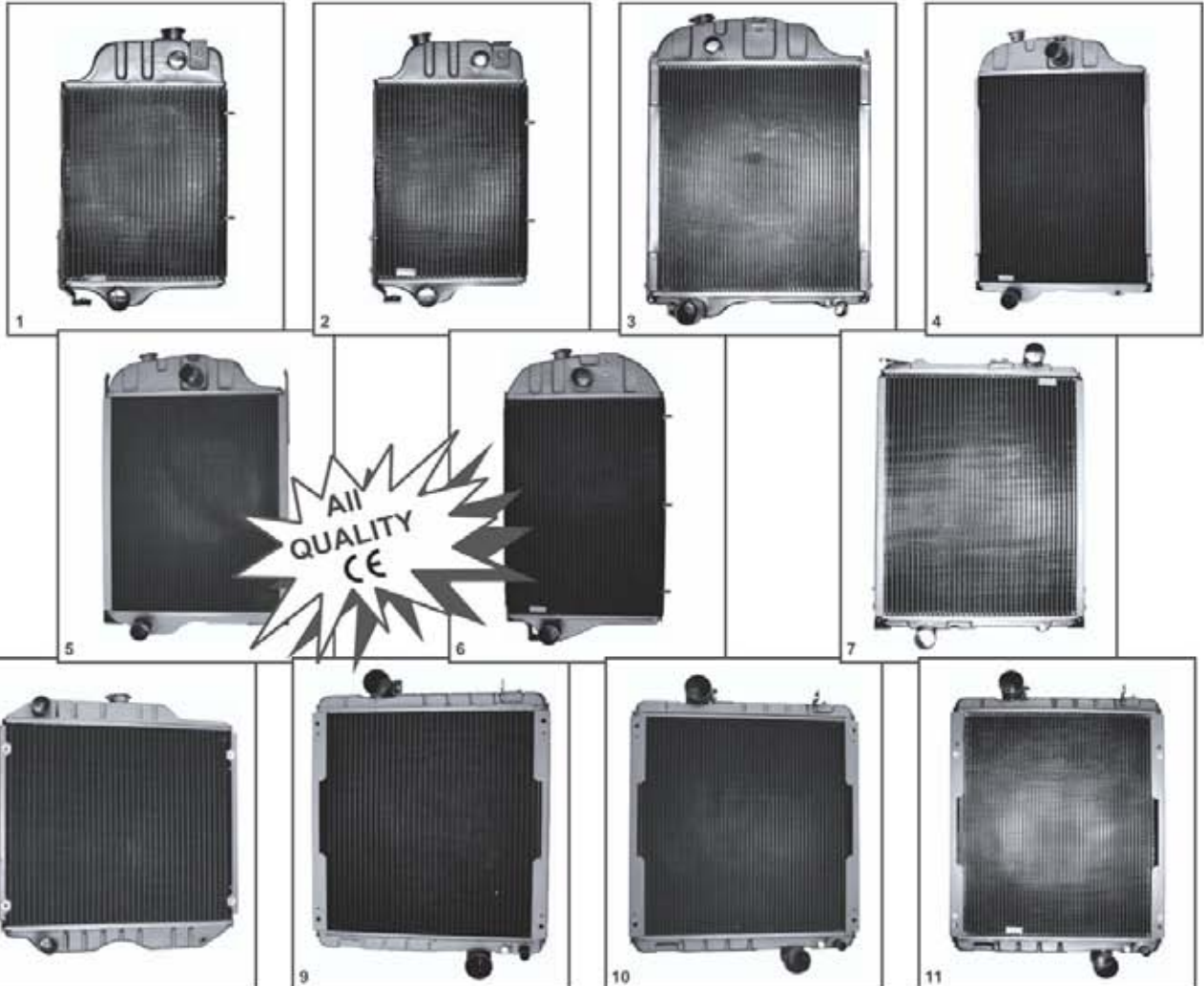



"THE RELIABLE SERVICE"



## JOHN DEERE PARTS


Radiateurs - Radiators - Radiatoren - Kühler - Radiadores



	Fig.	Part N°	OEM
820, 920, 1020, 1120 (075430 ⇔) 830, 930, 1030, 1130, 1630 930VU, 1030VU, 1030OU, 1035, 1035EF, 1035EV, 1630VU, 1635EV (066532 ⇔)	1	26/150-37	AT20849
840, 940, 1040, 1140 (481900 ⇔) - 1040V, 1140F, 1140V (117314 ⇔) 1350, 1550, 1750, 1850 (⇔ 621999) - 1750V, 1850, 1850F, 1850V	2	26/150-63	AL39290
2250, 2450, 2650, 2650N, 2850 (⇔ 669788) 2450F, 2650F (⇔ 165978)	3	26/150-66	AL56372
3040, 3140 3340 (118151 ⇔)	4	26/150-64	AL37566 AL31238
3050, 3150, 3350	5	26/150-67	AL56375
3030, 3120, 3130, 3135	6	26/150-65	AT26474 AL24115
3050, 3350 (⊗ 660813 ⇔) (⊙ 664560 ⇔) 3150, 3350 - 3650 (664560 ⇔)	7	26/150-70	AL66766
5500, 5500N	8	26/150-68	RE62841
6100, 6100SE, 6200, 6200SE (192066 ⇔)	9	26/150-75	AL115731 AL115002
6300, 6300SE, 6400, 6400SE (192066 ⇔)	10	26/150-69	AL115732 AL116668
7200, 7210, 7400, 7510	11	26/150-72	RE165030


# JOHN DEERE PARTS

Coussinets de bielle - Connecting rod bearings - Drijfstanglagersets - Pleuellager - Juego de cojinetes de biela

Moteurs / Tracteurs Engines / Tractors	Ref.	OEM	
4-276D, 4-045D, 4-276T, 4-045T, 6-414D, 6-068D, 6-414T, 6-068T	<b>26/3-65</b> (La paire The pair)	AR97517 AR69098	77.8 mm
6400, 6500, 6510, 6700 (4-045T (300 series)); 6800, 6900, 7210, 7400, 7410, 7600, 9400 (6-068T (300 series))			




Injecteurs - Inj. nozzles - Verstuivers - Düsen - Toberas

	Ref.	OEM	N° du nez - Nozzle N° - N° verstuiver - N° Einspritzdüse - N° inyector
4840	<b>26/117-141</b>	AR73638	DLLA155S681 0433271895
4050E, 4240S, 4250, 4350, 4430, 4440	<b>26/117-142</b>	AR74668	DLLA155S713 0433271883
4230, 4240	<b>26/117-143</b>	AR86888	DLLA158S766 0433271864




Filtre à combustible - Fuel filter - Brandstofffilter - Kraftstoff-Filter - Filtro de combustible

	Ref.	OEM
Power Tech 2.9L, 4.5L, 6.8L	<b>60/111-61</b>	RE60021



Arbre 6 can. - Shaft 6 gr. - As 6 groeven - Welle 6 Nuten - Eje 6 est.

	Ref.	OEM
Série 20, 30, 35, 40, 50 serie	<b>26/303-98</b>	T30803



Les références des pièces sont indicatives.  
Nos pièces ne sont pas d'origine.

Part numbers are quoted for reference purposes only.  
Our parts and accessories are not original.



**"THE RELIABLE SERVICE"**







## JOHN DEERE PARTS

Stabilisateur - Stabiliser - Stabilisator - Stabilisator - Estabilizador

	Ref.
Série 6000 serie	26/740-51K




Rotule (pont "Dana") - Tie rod ("Dana" axle) - kogeleind (vooras "Dana") - Kugelgelenk (Dana -Achse) - Rotula (Eje Dana)

	Ref.	OEM			
6910, 6910S	26/495-176	AL116022	F 28 x 1.5 RH	225 mm	29 x 32




Raclette d'essuie-glace - Wiper blade - Ruitenwisserblad - Scheibenwischerblatt - Escobilla del limpia-parabrisas



	Ref.	OEM
6010SE, 6100(SE), 6110(SE), 6200(SE), 6210(SE), 6300(SE), 6310(SE), 6400(SE), 6410(SE), 6506, 6510(SE), 6600, 6610(SE), 6800, 6810, 6900, 6910(S), 7600, 7700, 7800, 8100, 8200, 8300, 8400, 8570, 8770, 8870, 8970	70/1987-34	RE24201 TY16306

Interrupteur de démarrage "cold climat" - Starter switch "cold climat" - Startschakelaar "cold climat" - Startschalter "cold climat" - Interruptor arranque "cold climat"

	Ref.	OEM
Série 30, 40, 50 Serie	26/950-42	AL62707 + L34972

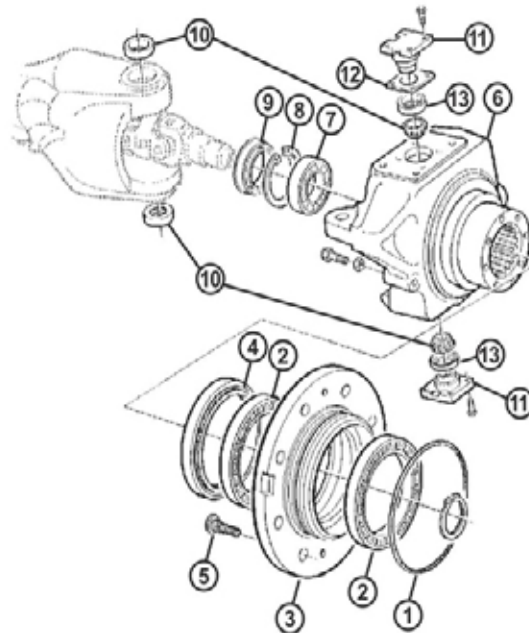




Les références des pièces sont indicatives.  
 Nos pièces ne sont pas d'origine.

Part numbers are quoted for reference purposes only.  
 Our parts and accessories are not original.

# JOHN DEERE PARTS

Pont avant - Front axle - Vooras - Vorderachse - Eje delantero



	1	2	3	4	5	6	7
6100(SE), 6200(SE), 6300SE, 6400SE	26/6413-5 (L40317)	26/6410-36 (JD10249, AL110350)	26/450-22 (L100238)	26/6408-36 (AL79950)	26/446-29 (L112112, L55598)	26/6400-11 (L100234) LH 26/6400-12 (L100233) RH	26/6410-37 (R115119)
6010(SE), 6110(SE), 6205, 6210(SE), 6300, 6310(SE), 6400, 6410(SE)						26/6400-13 (L100236) LH 26/6400-14 (L100235) RH	
	8	9	10	11	12	13	
6010(SE), 6100(SE), 6110(SE), 6200(SE), 6205, 6210(SE), 6300(SE), 6310(SE), 6400(SE), 6410(SE)	26/6434-21 (40M5099)	26/6407-19 (AL79951)	26/6451-22 (AL79901)	26/6450-23 (T151074)	26/6453-31 (0.2mm) (L100102) 26/6453-32 (0.3mm) (L100103) 26/6453-33 (0.4mm) (L100104) 26/6453-34 (0.6mm) (L100105) 26/6453-35 (0.8mm) (L100106) 26/6453-36 (1.0mm) (L100107) 26/6453-37 (1.6mm) (L100109) 26/6453-38 (2.0mm) (L100111)	26/6425-5 (AL79902)	

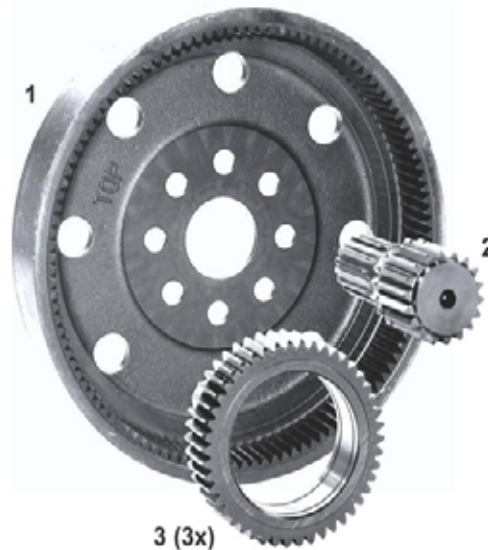
Les références des pièces sont indicatives.  
 Nos pièces ne sont pas d'origine.


Part numbers are quoted for reference purposes only.  
 Our parts and accessories are not original.



## ZF PARTS

Pont avant "ZF" - "ZF" front axle - Vooras ZF - Vorderachse ZF - Eje ZF



	ZF	Kits 1 + 2 + 3
Case IH Ford New Holland John Deere	APL 325	72/6428-1 KT
	APL 330	72/6428-2 KT
	APL 335	72/6428-3 KT
	APL 345	72/6428-4 KT
	APL 350	72/6428-5 KT
	APL 1251	72/6428-6 KT
	APL 1351	72/6428-7 KT
	APL 1551	72/6428-8 KT
	APL 1552	72/6428-9 KT
	APL 3054	72/6428-10 KT

Les références des pièces sont indicatives.  
 Nos pièces ne sont pas d'origine.

Part numbers are quoted for reference purposes only.  
 Our parts and accessories are not original.





# JOHN DEERE PARTS

Groupe multi-disques - frein, embrayage, PTO, transmission, HI-LO -  
 Multi-plates - brake, clutch, PTO, transmission, HI-LO -  
 Multi-platten - rem, drukgroep, aftakas, transmissie, HI-LO -  
 Mehr Scheiben Ausführung - Bremse, Kupplung, Zapfwelle, Antrieb, HI-LO -  
 Multi-discos - freno, embrague, TDF, transmisión, HI-LO  
 Séries 40, 50, 55, 6000, 7000, 8000 series

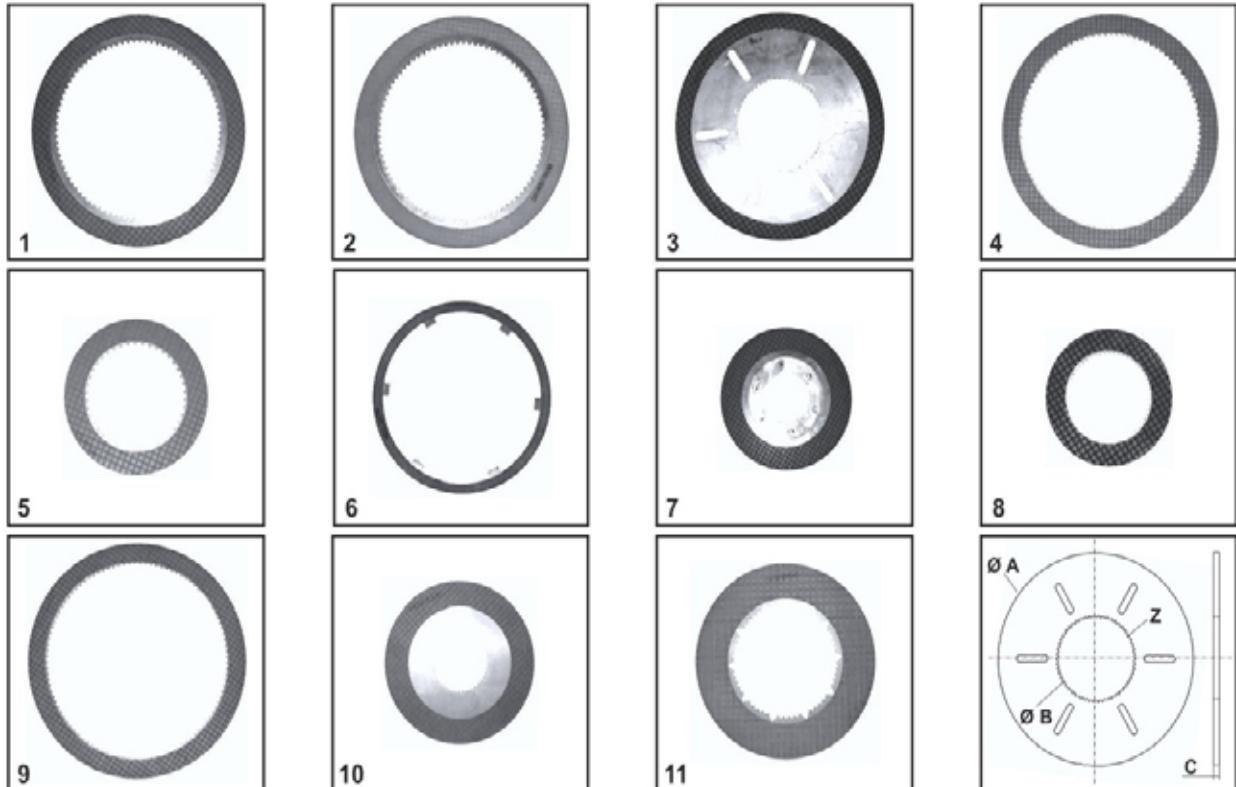


Fig.	Ref.	OEM	Z	Ø A mm	Ø B mm	C mm
1	26/317-31	RE34784	87	292	219	3.4
2	26/317-32	RE151059	87	292	219	5.2
3	26/317-33	RE34786	54	285.2	112.6	3.3
4	26/317-34	RE48092	95	295.2	239.9	3
5	26/317-35	RE23286	42	197.2	130.5	3.5
6	26/317-36	RE33706	6	242	198	4.5
7	26/317-37	RE65324	39	178	60.6	4.6
8	26/317-38	AR94516	54	177.8	112.8	2.9
9	26/317-39	AR94515	104	323	262.7	3.3
10	26/317-40	RE62896	39	178	60.6	4.6
11	26/317-41	RE35512	50	224.9	125	3.6

Les références des pièces sont indicatives.  
 Nos pièces ne sont pas d'origine.

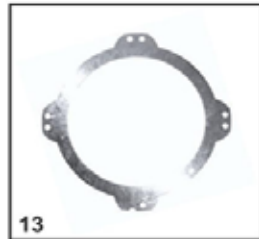
Part numbers are quoted for reference purposes only.  
 Our parts and accessories are not original.



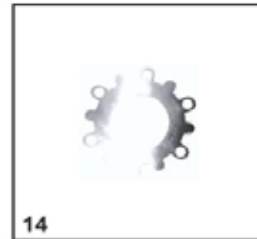
## JOHN DEERE PARTS



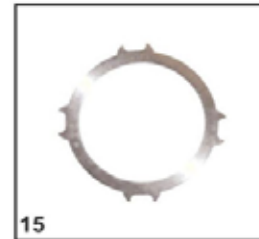
12



13



14



15



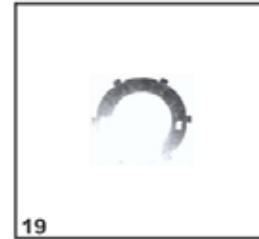
16



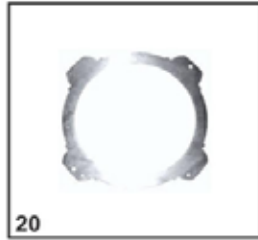
17



18



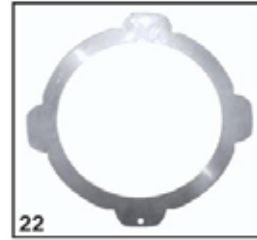
19



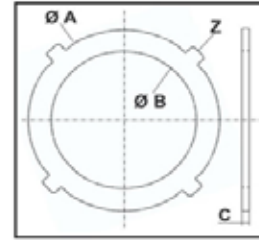
20



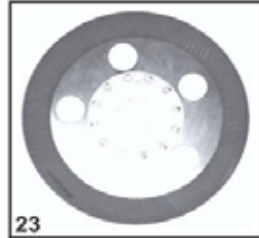
21



22



23



24

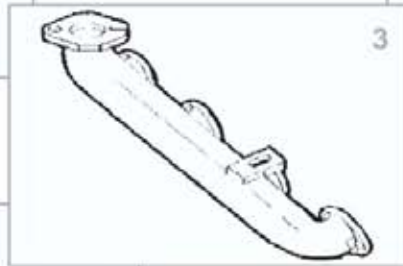
Fig.	Ref.	OEM	Z	Ø A mm	Ø B mm	C mm
12	26/316-31	R86308	8	360	271	3
13	26/316-32	R135537	4	370	269.5	4.8
14	26/316-33	R95211	12	233.8	113.6	4.8
15	26/316-34	R95378	8	330	247	6
16	26/316-35	R96791	4	304	213	7
17	26/316-36	R96805	12	251	140	7
18	26/316-37	R96806	6	277	135	7
19	26/316-38	R107264	6	194.2	117	4.8
20	26/316-39	R114215	4	333.9	238	4
21	26/316-40	R116894	12	215.7	118	3
22	26/316-41	R95313	4	333.9	238	4
23	26/422-84	AL112982	14	313	43.4	5.9
24	26/422-85	RE160072	15	334.5	57.5	7.8


Les références des pièces sont indicatives.  
 Nos pièces ne sont pas d'origine.

Part numbers are quoted for reference purposes only.  
 Our parts and accessories are not original.

## JOHN DEERE PARTS

Echappements - Silencers - Schalldämpfer - Uitlaatdempers - Silenciosos



	Fig.	PART N°	OEM
820, 830, 840, 920, 930, 940, 1020, 1030, 1035, 1040, 1120, 1130, 1140, 1350, 1550, 1630, 1635, 1750, 1850, 3100, 3110	1	<b>26/65-21</b>	T20252
1830, 2020, 2030, 2035, 2120, 2130, 2135	2	<b>26/65-22</b>	T20249
1640, 1840, 2040, 2040S, 2250, 2450, 2450F, 2650, 3200, 3210, 3200X, 3210X, 3300, 3310, 3300X, 3310X	3	<b>26/65-23</b>	R70411
6110(SE), 6200(SE), 6210(SE), 6300(SE), 6310, 6400(SE), 6410,	4	<b>26/165-140</b>	AL82411
6110(SE), 6200(SE), 6205, 6210(SE), 6300(SE), 6310(SE), 6400(SE), 6410(SE)	5	<b>26/165-141</b>	AL113991


Les références des pièces sont indicatives.  
 Nos pièces ne sont pas d'origine.

Part numbers are quoted for reference purposes only.  
 Our parts and accessories are not original.

# JOHN DEERE PARTS

## Eclairage - Lighting - Leuchten - Verlichtingen - Luces



	Fig.	PART N°	OEM
 "30" & "40" series	1	26/182-3 (RH)	CE13748
	1	26/182-4 (LH)	CE13751
	2	26/182-8 (LH)	CE14809 R60139
	2	26/182-9 (RH)	CE14808 R60138
840, 940, 1040, 1140, 1350, 1550, 1640, 1750, 1850, 1850F, 1950, 1950F, 1950N, 2040, 2040S, 2140, 2250, 2250F, 2450, 2450F, 2650, 2650F, 2650N, 2850, 3040, 3050, 3140, 3150, 3350, 3640, 3640S, 3650	3	26/182-10 (LH)	L56462
	3	26/182-11 (RH)	L56434
	4	26/189-203 (LH)	
	4	26/189-204 (RH)	
4040, 4050, 4055, 4240, 4250, 4255, 4440, 4450, 4455, 4555, 4640, 4650, 4755, 4840, 4850, 4955, 6100, 6110, 6200, 6210, 6300, 6310, 6400, 6410, 6506, 6510, 6600, 6610, 6800, 6810, 6900, 6910, 7600, 7610, 7700, 7710, 7800, 7810, 8100, 8100T, 8200, 8200T, 8300, 8300T, 8400, 8400T	5	26/1931-12	RE37450 R161288
6100, 6101, 6110, 6200, 6210, 6300, 6310, 6400, 6410, 6506, 6510(SE), 6600, 6610(SE), 6800, 6810, 6900, 6910	6	63/1955-2	R136239 57M7358

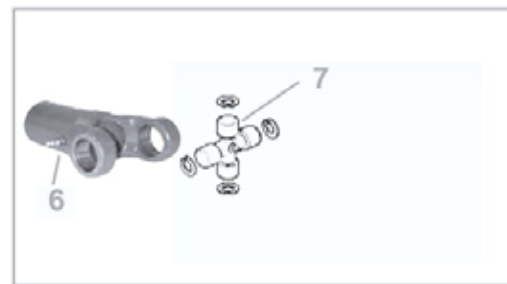
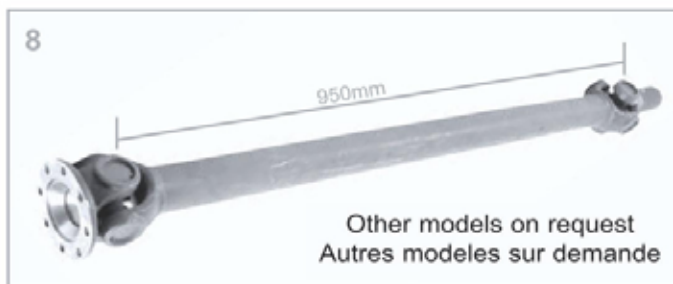
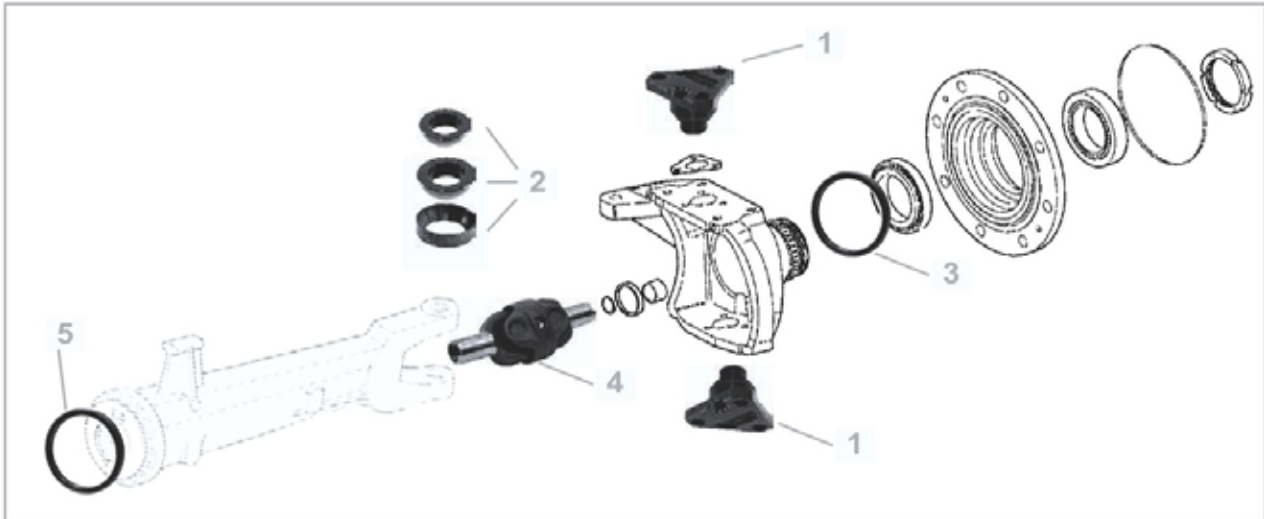
Les références des pièces sont indicatives.  
 Nos pièces ne sont pas d'origine.


Part numbers are quoted for reference purposes only.  
 Our parts and accessories are not original.



# JOHN DEERE PARTS

## Essieu avant - Front axle - Vorderachse - Vooras - Eje Delantero



	Fig.	PART N°	OEM
1550, 1750, 1850, 1950 (APL315/325), 2250, 2450 (APL325), 2650 (APL325/735)	1	26/6450-11 (Ø25mm)	L64649
	2	26/6451-13	L64648
2850, 3050, 3350, 3650 (APL345/350)	1	26/6450-10 (Ø28mm)	L64654
2850 (APL325/735)	2	26/6451-11	L64653
3050, 3350, 3650 (APL350)	2	26/6451-12	L64658
2140, 3040, 3050, 3140, 3150, 3350, 3640, 3640S, 3650 (APL345/350)	3	26/6408-18	AL68616
3050, 3150, 3350, 3650	4	26/6402-13	AL61449
3030, 3040, 3120, 3130, 3135, 3140, 3340, 7600, 7610, 7700, 7710, 7800, 7810, 8100, 8200, 8300, 8400	5	26/6408-24	T30349
1640, 1840, 2040, 2040S, 2140, 2250, 2250F, 2450, 2450F, 2650, 2650F, 2650, 2650N, 2850, 3040, 3050, 3140, 3150, 3340, 3350, 3640, 3640S, 3650	6	26/6405-10	AL37071
	7	26/6403-10	AL37069
2140, 2850	8	26/6491-5	AL62647


Les références des pièces sont indicatives.  
 Nos pièces ne sont pas d'origine.

Part numbers are quoted for reference purposes only.  
 Our parts and accessories are not original.

# JOHN DEERE PARTS

Arbres de contrôle d'effort - Lower link sensing shafts  
 Tiefenkontrollwellen - Torsieas - Eje de control del alzamiento



	Fig.	PART N°	OEM
930VU, 1030VU, 1630VU, 1035EV, 1635EV, 940V, 1040V, 1140V, 1140F, 1750V, 1850V	1	26/6678-15 500mm Ø3/4"	CE13970
	2	26/6679-15	T23758
	3	26/6683-15	CE15026+ CE15027+ 11M7013
	4	26/6680-15	R27149
	5	26/6681-15	T25795
	6	26/6682-15	T25794
1630, 1630OU, 1635, 1635EF, 1640F, 1840F, 1950F, 2020, 2030OU, 2035EF, 2040F, 2120, 2250F, 2450F, 2650F	1	26/6678-12 500mm Ø7/8"	L26937
	2	26/6679-12	T22094
	3	26/6683-12	L26938
	4	26/6680-12	R460R
	5	26/6681-12	T22095
	6	26/6682-12	T22096
2040S, 2140, 2650, 2850, 3040, 3050, 3140, 3350, 3640, 3640S, 3650	1	26/6678-16 640mm Ø1 1/8"	L41197
6010, 6100(SE), 6101, 6110, 6200(SE), 6205, 6210, 6300(SE), 6310, 6400(SE), 6410, 6505, 6506, 6510(SE), 6600, 6610(SE), 6800, 6810, 6900, 6910, 7600, 7610, 7700, 7710, 7800, 7810	7	26/303-38	L110178 R93500

Les références des pièces sont indicatives.  
 Nos pièces ne sont pas d'origine.


Part numbers are quoted for reference purposes only.  
 Our parts and accessories are not original.



## JOHN DEERE PARTS

Rotules & tirants de direction - Steering links & sockets  
 Kugelköpfe und Spurstangen - Spoor- en stuurstangonderdelen -  
 Rótulas y barras de dirección



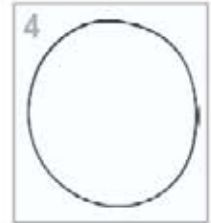
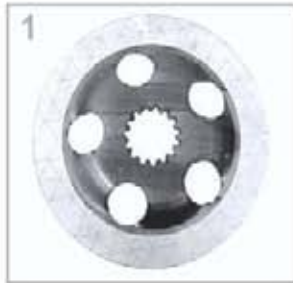
	Fig.	PART N°	OEM	Length	Thread	Cone
4050, 4055, 4250, 4255, 4450, 4455, 4555, 4650, 4755, 4850, 4955, 7600, 7700, 7800	1	26/491-23 LH	RE12326	157mm	M18x1,5D	23x28
	1	26/492-23 RH	RE12325	157mm	M18x1,5D	23x28
6100(SE), 6200(SE), 6300(SE), 6400(SE)	2	26/495-160 LH	AL110957 AL80538	285mm	F22x1,5D	21,5x23,5
	3	26/496-160 RH	AL110956 AL80537	285mm	F22x1,5D	21,5x23,5
	4	26/497-160	AL80541	178mm	M20x1,5D M22x1,5D	-
6900, 6910	5	26/495-161	AL110923 AL119379	220mm	F28x1,5D	28x32
	4	26/497-161	AL110918	240mm	M28x1,5D M24x1,5D	-
6010, 6101SE, 6110(SE), 6205, 6210(SE), 6300, 6310(SE), 6400, 6410(SE), 6505, 6506, 6510(SE), 6600, 6610(SE), 6800, 6810	6	26/495-162 LH	AL116740	260mm	F24x1,5D	24,5x26,5
	7	26/496-162 RH	AL116741 AL110886	260mm	F24x1,5D	24,5x26,5
	4	26/497-162	AL80542	210mm	M22x1,5D M24x1,5D	-
1640, 1840, 2040, 2040S, 2140, 3040, 3140	8	26/581-36	AL32866	75mm	F24x1,5D	29x32
2250F, 2450F, 2650F, 2650N	8	26/581-37	AL66090	80mm	F24x1,5D	20x22
	8	26/581-38	AL65924	80mm	F24x1,5G	20x22


Les références des pièces sont indicatives.  
 Nos pièces ne sont pas d'origine.

Part numbers are quoted for reference purposes only.  
 Our parts and accessories are not original.

# JOHN DEERE PARTS

## Freins - Brakes - Bremsen - Remonderdelen - Frenos



	Fig.	PART N°	OEM
3030, 3130	1	26/422-24 Ø305mm 15Z TK.: 11mm	AL68095
840, 940, 1040, 1140, 1350, 1550, 1640, 1750, 1750V, 1840, 1850, 1850F, 1850V, 1950, 1950F, 1950N, 2040, 2250, 2250F, 2450, 2450F, 2650, 2650F, 2850	2	26/422-25 Ø306mm 12Z TK.: 4,9mm	AL65872
6010, 6100(SE), 6101SE, 6110(SE), 6200(SE), 6205, 6210(SE), 6300(SE), 6310(SE), 6400(SE), 6410(SE), 6505, 6506, 6510(SE), 6600, 6610(SE)	2	26/422-27 Ø313mm 14Z TK.: 4,9mm	AL111498 AL75434
6010, 6100(SE), 6101(SE), 6110(SE), 6200(SE), 6210(SE), 6300(SE), 6310(SE), 6400(SE), 6410(SE), 6506, 6510(SE), 6600, 6610(SE)	2	26/422-28 Ø313mm 14Z TK.: 5,9mm	AL112982
3040, 3140, 3340, 3640, 3640S	3	26/417-17 TK.: 50mm	L40395
840, 940, 1040, 1140, 1350, 1550, 1640, 1750, 1840, 1850, 1850F, 1950, 1950F, 1950N, 2040, 2040S, 2250, 2650, 2650F, 2650N, 2450, 2850	3	26/417-18 TK.: 41mm	L63944 L60890
3050, 3150, 3350, 3650	3	26/417-19 TK.: 48,5mm	L65164 L60889 L63946
1350, 1550, 1750, 1850, 1950, 1950N, 2250, 2450, 2650, 2650F, 2650N, 2850, 5200, 5300, 5400, 5400N, 5500, 5500N	4	26/416-13	L60888
3040, 3050, 3140, 3150, 3340, 3350, 3640, 3640S, 3650	4	26/416-14	L56245 L39941
1350, 1550, 1750, 1850, 1950, 1950N, 2250, 2450, 2650, 2650F, 2650N, 2850, 3040, 3050, 3140, 3150, 3340, 3350, 3640, 3640S, 3650, 5200, 5300, 5400, 5400N, 5500, 5500N, 6100(SE), 6101(SE), 6010, 6110(SE), 6200(SE), 6205, 6210(SE), 6300(SE), 6310(SE), 6400(SE), 6410(SE), 6505, 6506, 6510(SE), 6600, 6610(SE)	4	26/416-15	L56246 L39942

Les références des pièces sont indicatives.  
Nos pièces ne sont pas d'origine.

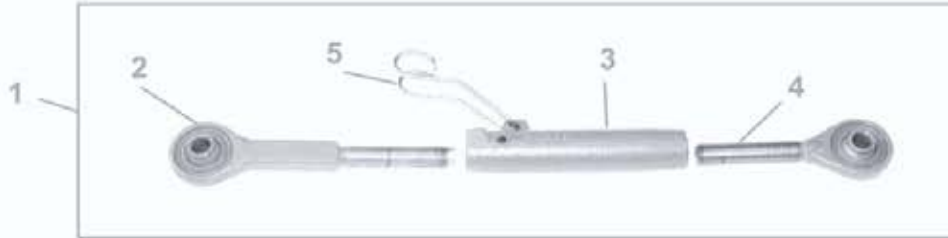
Part numbers are quoted for reference purposes only.  
Our parts and accessories are not original.




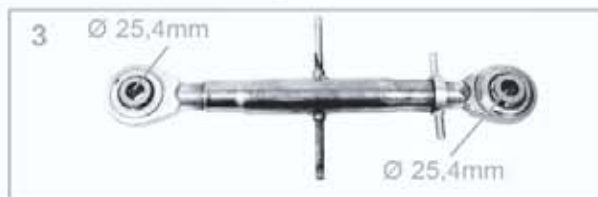



## JOHN DEERE PARTS

### Attelage - Linkage - Dreipunktgestange Hefstangen - Enganches



	Fig.	PART N°	OEM
6010, 6100, 6101, 6110, 6200, 6205, 6210, 6300, 6310, 6400, 6410, 6505, 6506, 6510(SE), 6600, 6610	1	26/700-25	AL78064
	2	26/703-25	AL78072
	3	26/702-25	L78791
	4	26/701-25	AL78068
	5	26/702-26S	L56746



	Fig.	PART N°	Lg. Tube	Thread
"6000" & "7000" Series	1	26/700-27	L=309mm	M36
	2	26/700-28	L=306mm	M36
	3	26/700-29	L=334mm	M42
"5000" Series	4	26/700-30	L=309mm	M36
"8000" Series	5	26/700-31	L=455mm	M42

Les références des pièces sont indicatives.  
 Nos pièces ne sont pas d'origine.

Part numbers are quoted for reference purposes only.  
 Our parts and accessories are not original.

# JOHN DEERE PARTS

Stabilisateurs - Stabiliser Ass. - Stabilisatoren - Stabilisatoren - Estabilizadores

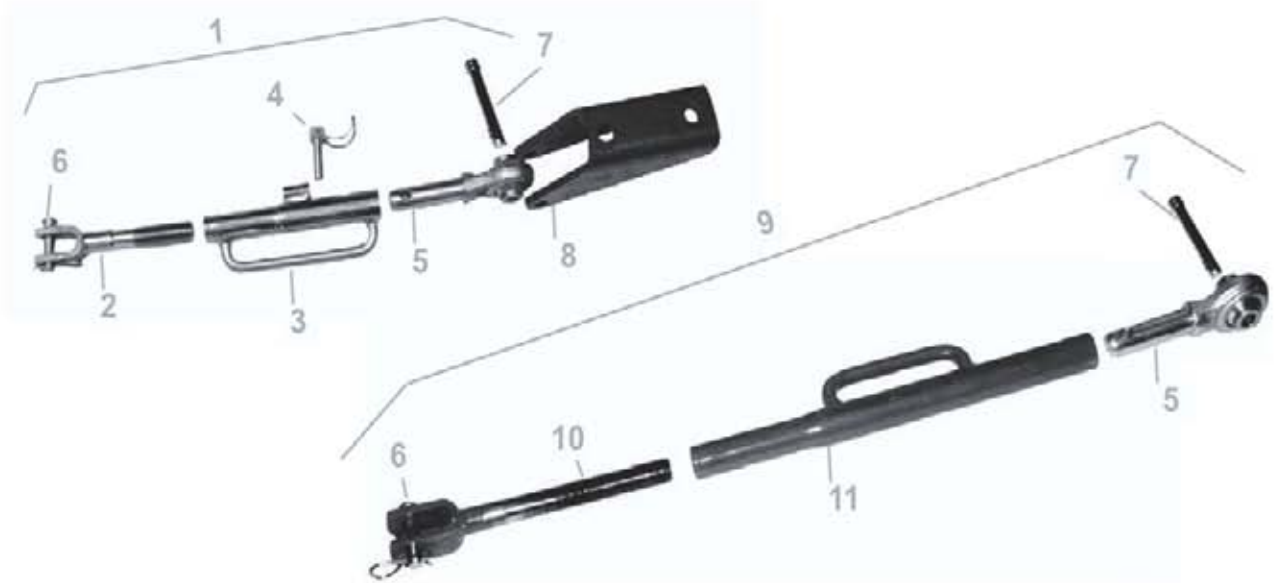



	Fig.	PART N°	OEM
 6010, SE6101, 6110(SE), 6205, 6210(SE), 6310(SE), 6410(SE), 6505, 6510(SE), 6610(SE), 6810, 6910	1	26/740-40 370mm	
	2	26/743-40	DE18856
	3	26/744-40 260mm	DE18854
	4	68/8151-40	DE18899
	5	26/746-40	DE18855
	6	26/747-40 18x65mm	L77493
	7	26/749-40 19x92mm	R58262 R44917 R28061
	8	26/751-40	L79046
6100(SE), 6200(SE), 6300(SE), 6400(SE), 6506, 6600	9	26/740-41 640mm	DE18460
	10	26/743-41	DE15973
	11	26/744-41 490mm	DE15971
	5	26/746-40	DE18855
	6	26/747-40 18x65mm	L77493
	7	26/749-40 19x92mm	R58262 R44917 R28061

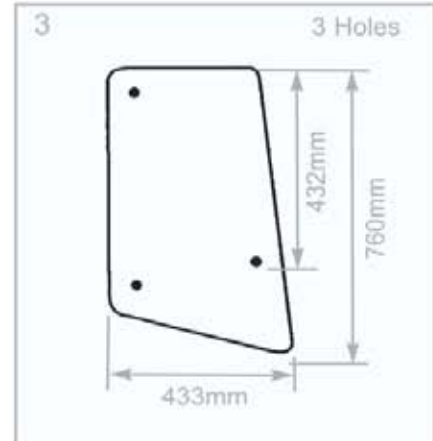
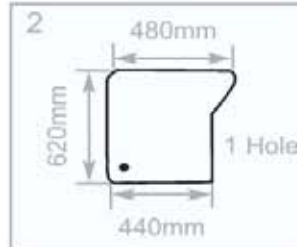
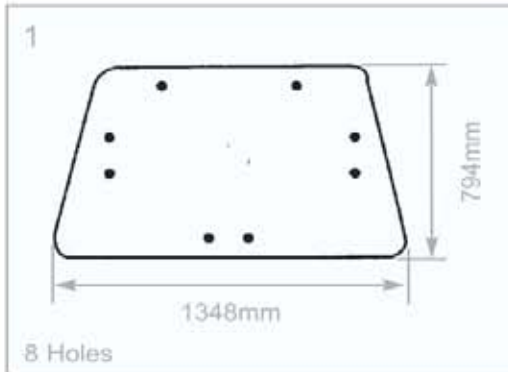
Les références des pièces sont indicatives.  
 Nos pièces ne sont pas d'origine.


Part numbers are quoted for reference purposes only.  
 Our parts and accessories are not original.





## JOHN DEERE PARTS

Accessoires pour cabine - Cab accessories - Einzelteile für Kabine -  
 Onderdelen voor kabine - Instrumentos de cabina



	Fig.	PART N°	OEM
6100, 6200, 6300, 6400, 6506, 6600, 6800, 6900	1	26/4004-7	L78725 L78726
6101SE, 6110(SE), 6210(SE), 6310(SE), 6410(SE), 6510(SE), 6610(SE), 6810, 6910	2	26/4012-63 RH	L114753
	2	26/4012-64 LH	L114754
	3	26/4047-70 RH	L113305
	3	26/4047-71 LH	L113306
1640, 2040, 2040S, 2140, 2250, 2450, 2650, 2850, 3040, 3050, 3140, 3150, 3350, 3640, 3640S, 3650 (SG2 Cab LH front wiper motor)	4	63/1980-28	AL34846
1640, 2040, 2040S, 2140, 2250, 2450, 2650, 2850, 3040, 3050, 3140, 3350, 3640, 3640S, 3650, 4050, 4040, 4040S, 4240, 4240S, 4250, 4350, 4440, 4450, 4650, 4850 (SG2 Cab rear wiper motor)	4	63/1980-21	AL35843 AL55527

Autocollants - Stickers - Aufklebersätze - Zelfkleuer - Juegos de pegatinas

	PART N°		PART N°
1020	26/860-249	2450F	26/860-283
1840F	26/860-279	2650F	26/860-284
2020	26/860-280	3120	26/860-285
2040F	26/860-281	3340	26/860-286
2120	26/860-282		




Les références des pièces sont indicatives.  
 Nos pièces ne sont pas d'origine.

Part numbers are quoted for reference purposes only.  
 Our parts and accessories are not original.

# JOHN DEERE PARTS

Embrayages - Clutches - Kupplungen - Koppelungen - Embragues



	CLUTCH		PLATE		BEARING
3100 3200 (⇒003138)	280/280 LUK GU6	(228 0121 10) 26/200-260L	280 (A)	(328 0298 10) 26/221-300L (LG) 16Z 40x45 TF	(500 0059 10) 26/231-59L 65x95
			280 (A)	(328 0299 10) 26/212-300L (LM) 13Z 22x25 UF	(500 0058 10) 26/231-60L 106x140
3200 (003139⇒)	310/280 LUK GU6	(231 0083 10) 26/200-261L	310 (A)	(331 0217 10) 26/221-301L (LG) 16Z 40x45 TF	(410 0020 00) 26/230-60L
			280 (A)	(328 0299 10) 26/212-300L (LM) 13Z 22x25 UF	
3300 (⇒003090)	310/310 LUK GU6	(231 0087 10) 26/200-265L	310 (A)	(331 0217 10) 26/221-301L (LG) 16Z 40x45 TF	
			280 (A)	(328 0299 10) 26/212-300L (LM) 13Z 22x25 UF	
3300 (⇒003091)	330/310 LUK GU6	(233 0035 10) 26/200-262L	327 (A)	(333 0089 10) 26/221-302L (LG) 16Z 40x45 TF	
			310 (A)	(331 0106 16) 26/212-301L (LM) 13Z 21,5x25 UF	

Les références des pièces sont indicatives.  
 Nos pièces ne sont pas d'origine.


Part numbers are quoted for reference purposes only.  
 Our parts and accessories are not original.



## JOHN DEERE PARTS

Embrayages - Clutches - Kupplungen - Koppelungen - Embragues



	CLUTCH		PLATE		BEARING
3400 (⇒003986)	330/310 LUK GU6	(233 0027 10) 26/200-263L	327 (A)	(333 0089 10) 26/221-302L (LG) 16Z 40x45 TF	(500 0059 10) 26/231-59L 65x95
			310 (A)	(331 0106 16) 26/212-301L (LM) 13Z 21,5x25 UF	(500 0058 10) 26/231-60L 106x140
3300 (⇒003091)	310/310 LUK GU6	(231 0093 10) 26/200-264L	310 (B)	(331 0229 10) 26/221-303L (LG) 16Z 40x45 2x8 PL TC	(410 0020 00) 26/230-60L
			280 (B)	(328 0283 10) 26/212-303L (LM) 13Z 25x32 2x4 PL UC	

Boulon de roue arrière - Rear wheel stud - Radbolz Hinterrad  
 Wielbout achterwielen - Tornillo de rueda trasera

26/446-25  
L31683

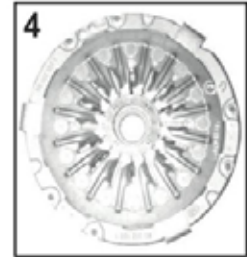
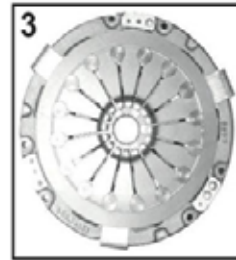
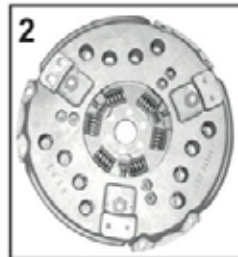
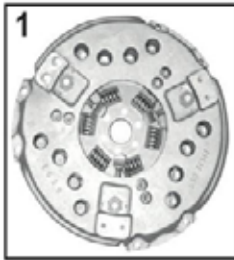



1140, 1630, 1635, 1640, 1830, 1840, 1850, 2030, 2035, 2040, 2040S, 2130, 2140, 2250, 2250F, 2450, 2450F, 2650, 2650F, 2650N, 2850, 3030, 3040, 3050, 3130, 3140, 3350, 3640, 3640S, 3650, 4040, 4040S, 4240, 4240S, 4350, 4440, 6010, 6100(SE), 6101SE, 6110(SE), 6200(SE), 6205, 6210(SE), 6300(SE), 6310(SE), 6400(SE), 6410(SE)

Les références des pièces sont indicatives.  
 Nos pièces ne sont pas d'origine.

Part numbers are quoted for reference purposes only.  
 Our parts and accessories are not original.

# JOHN DEERE PARTS



	Fig.	Embrayage - Clutch - Kupplung Drukgroep - Embrague	
		Ø	N°
2130, 2135 <i>Less HI-LO</i>	1	300mm	Repl. (130 0005 20) Repl. (1882 271 403) <b>26/200-34E</b> 23Z (AL23095)
2040S, 2140 (⇒416039) 2940, 3040, 3140 (416039⇒) 3340	2	320mm	Repl. (3482 039 101) Repl. (1882 339 103) <b>26/200-37E</b> 27Z
2040S, 2140 (⇒416040) 3040, 3140 (415944⇒) 2650, 2650N, 2850, 2850N, 2940, 3040, 3050N, 3140, 3350, 3640	3	327mm Diaphragm	Repl. (133 0602 10) Repl. (3482 901 101) <b>26/200-38E</b> 27Z  (AL33127, AL36134, AL38670, AL39245, AL39591, AL55240, AL59324, AL64948, AL65981, AL67184, AL68483, AL68485)  <i>Complete KIT</i> <b>26/200-200KE</b> (26/200-38E+26/221-107E)
3650	4	327mm Diaphragm	Repl. (133 0603 10) <b>26/200-1137E</b> 27Z (AL68486)

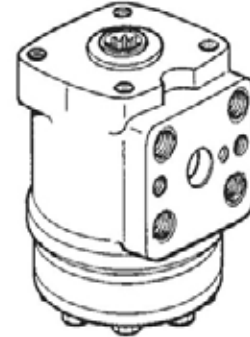
Les références des pièces sont indicatives.  
 Nos pièces ne sont pas d'origine.


Part numbers are quoted for reference purposes only.  
 Our parts and accessories are not original.



# JOHN DEERE PARTS

Direction hydrostatique "Orbitrol" (JD-84)  
 hydrostatic steering "Orbitrol" (JD-84)  
 Hydrostatische Lenkung "Orbitrol" (JD-84)  
 Hydrostatische besturing "Orbitrol" (JD-84)  
 Dirección hidrostática "Orbitrol" (JD-84)



		Unité de direction Steering unit Orbitrol Stuur-unit Unidad de dirección	Kit réparation Repair kit Reparatursatz Revisieset Juego de reparación
3050, 3140, 3350, 3640, 3640S, 3650	OSPC 200CN 150-0176	<b>26/560-6</b> (AL55296)	<b>26/561-6</b> (AL112819, AZ20003)
1550, 1640, 1750, 1850, 1950, 2040, 2040S, 2140, 2250, 2450, 2650, 2850, 3040, 3050, 3140, 3150, 3340, 3350,	OSPC 160CN 150-0178 OSPC 100CN 150-183	<b>26/560-7</b> (AL41291, AL55308)	
1550, 1640, 1750, 1840, 1840F, 1850, 1950, 2040, 2040S, 2250, 2250F, 2450, 2450F, 2650F, 2650, 2650N, 2850, 3050, 3350	OSPC 125CN 150-0179	<b>26/560-8</b> (AL41631)	

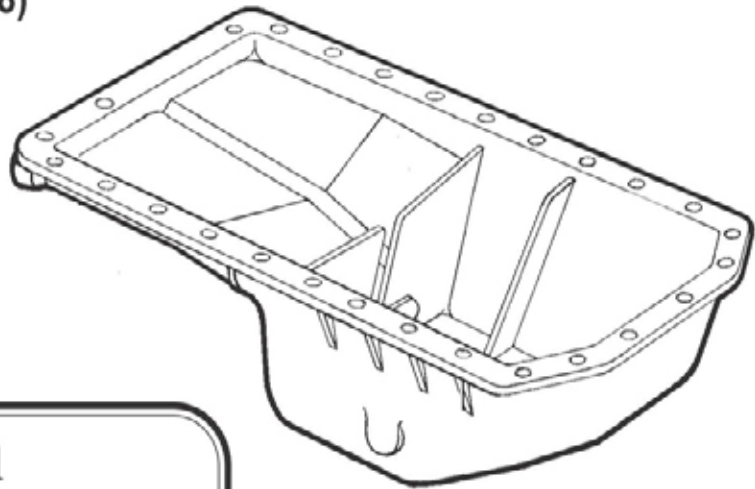
Les références des pièces sont indicatives.  
 Nos pièces ne sont pas d'origine.

Part numbers are quoted for reference purposes only.  
 Our parts and accessories are not original.



# JOHN DEERE PARTS

Carter d'huile moteur (JD-16)  
Oil pan (JD-16)  
Ölwanne (JD-16)  
Carterpan (JD-16)  
Cárter de aceite (JD-16)

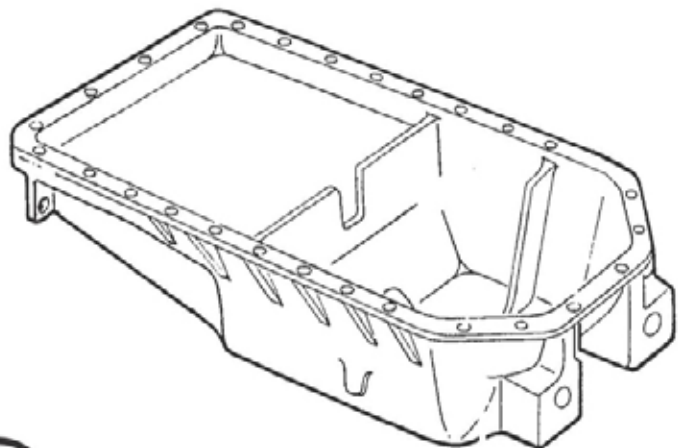


26/6900-1

(R54569)



2020, 2120, 1830, 2030, 2130,  
10300U, 16300U, 20300U,  
1035EF, 1635EF, 2035EF, 2035, 2135



26/6900-2

(R78032)



1140F, 1640, 1640F, 1840, 1840F  
2040, 2040F, 2040S, 2140

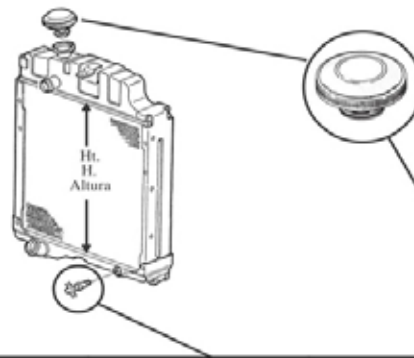
Les références des pièces sont indicatives.  
Nos pièces ne sont pas d'origine.


Part numbers are quoted for reference purposes only.  
Our parts and accessories are not original.



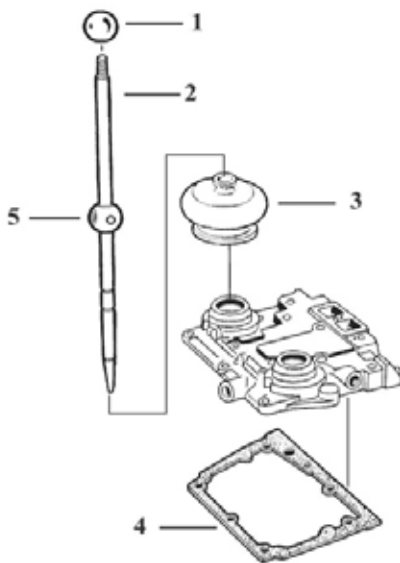
# JOHN DEERE PARTS


**Radiateur (JD-28)**  
**Radiator (JD-28)**  
**Kühler (JD-28)**  
**Radiator (JD-28)**  
**Radiador (JD-28)**



	<b>Radiateur</b> <b>Radiator</b> <b>Kühler</b> <b>Radiator</b> <b>Radiador</b>	<b>Robinet</b> <b>Drain tap</b> <b>Hahn</b> <b>Aftapkraan</b> <b>Grifo</b>	<b>Bouchon de radiateur</b> <b>Radiator cap</b> <b>Kühlerdeckel</b> <b>Radiatordop</b> <b>Tapón radiador</b>
820, 920, 1020, 1120 830, 930, 1030, 1130, 1630 930VU, 1030VU, 1630VU 1035EV, 1635EV 1030U, 1630U, 2030U 1035EF, 1635EF, 2035EF	<b>26/150-37</b> (AT20849) Ht./H./Altura 430mm	<b>26/152-2</b> (AT13740) 1/4"	<b>26/151-9</b> (AT29054)
1030, 1630, 1830, 2030, 2130 1035, 1635, 2035, 2135 2020, 2120 1030U, 1630U, 2030U 1035EF, 1635EF, 2035EF	<b>26/150-38</b> (AT25255) Ht./H./Altura 510mm		

**Changeur de vitesses (JD-55)**  
**Gear shift lever (JD-55)**  
**Schalthebel (JD-55)**  
**Versnellingspook (JD-55)**  
**Cambio de marchas (JD-55)**



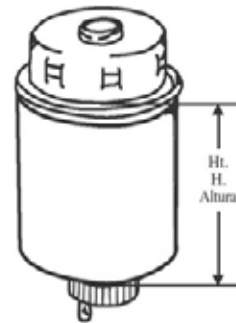
	1	2	3	4	5
	<b>Sphère</b> <b>Ball</b> <b>Schaltknopf</b> <b>Kogel</b> <b>Bola</b>	<b>Levier</b> <b>Gearshift lever</b> <b>Hebel</b> <b>Hendel</b> <b>Palanca</b>	<b>Protecteur</b> <b>Boot</b> <b>Manschette</b> <b>Beschermhoes</b> <b>Protector</b>	<b>Joint</b> <b>Gasket</b> <b>Dichtung</b> <b>Pakking</b> <b>Junta</b>	<b>Sphère</b> <b>Ball</b> <b>Kugel</b> <b>Kogel</b> <b>Bola</b>
820, 830, 840, 920, 930, 940, 1020, 1030, 1040, 1120, 1130, 1140, 1350, 1550, 1630, 1640, 1750, 1830, 1850, 2020, 2030, 2040, 2040S, 2120, 2130, 2250, 2450, 2650, 2850, 3030, 3050, 3120, 3130, 3350, 3640, 4040, 4040S, 4230, 4240, 4240S, 4350, 4430, 4440	<b>26/552-2</b> (R.50864, AL.58296)				
820, 830, 920, 930, 1020, 1030, 1120, 1130, 1630, 1830, 2020, 2030, 2120		<b>26/554-1</b> (R.53817)	<b>26/551-2</b> (L.31055)	<b>26/550-2</b> (R.54189)	
840, 940, 1040, 1140, 1640, 1840, 2040, 2040S, 2130, 2140, 3030, 3040, 3050, 3120, 3130, 3140, 3350					
840, 940, 1040, 1140, 1350, 1550, 1640, 1750, 1850, 1950, 2040, 2130, 2250, 2450, 3030, 3120, 3130				<b>26/550-2</b> (R.54189)	
Séries/Series/Serien/Series/Series "20", "30", "40", "50"					<b>26/558-1</b> (CE.14048)


Les références des pièces sont indicatives.  
Nos pièces ne sont pas d'origine.

Part numbers are quoted for reference purposes only.  
Our parts and accessories are not original.

# JOHN DEERE PARTS

Filtration (JD-34)  
Filters (JD-34)  
Filter (JD-34)  
Filters (JD-34)  
Filtros (JD-34)



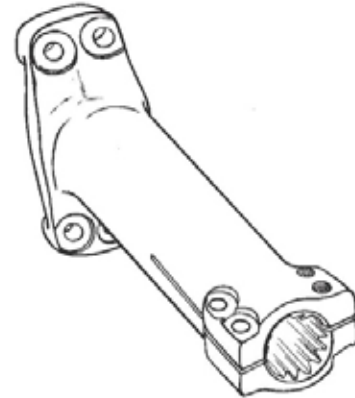
	Air Air Luftfilter Luchtfiter Aire		Huile Oil Öl Olie Aceite	Combustible Fuel Kraftstoff Brandstof Combustible	Hydraulique Hydraulic Hydraulik Hydrauliek Hidráulico
	Ext. Out. Aussen Buiten Exterior	Int. Inn. Innen Binnen Interno			
3100, 3200, 3200X, 3300, 3300X, 3400, 3400X	<b>60/161-153</b> (RT6005011111) Ht./H./Altura 353mm	<b>60/162-153</b> (RT6005011112) Ht./H./Altura 344mm	<b>60/97-7</b> (T19044)	<b>60/111-26</b> (RE53400) Ht./H./Altura 103mm  <b>60/111-85</b> (RE64449, RE62418) Ht./H./Altura 91,5mm	<b>60/655-6</b> (RT6005003244)
6010, 6110, 6210, 6310, 6410	<b>60/161-32</b> (AL78223) Ht./H./Altura 310mm	<b>60/162-32</b> (AL78224)	<b>60/97-85</b> (RE59754)	<b>60/111-85</b> (RE64449, RE62418) Ht./H./Altura 91,5mm	<b>60/97-18</b> (RE34958)
6510, 6610, 6810, 6910	<b>60/161-34</b> (AL78869)	<b>60/162-34</b> (AL78870)			<b>60/97-19</b> (AL77061) Transmission Transmission Getriebe Transmisión
7610	<b>60/161-30</b> (RE67124)	<b>60/162-30</b> (RE34963)			<b>60/641-10</b> (RE39527) Ht./H./Altura 240mm PW QUAD
7710, 7810	<b>60/161-36</b> (RE34966)	<b>60/162-36</b> (RE34967)	<b>60/97-17</b> (RE57394)	<b>60/111-27</b> (AR86745)	<b>60/655-20</b> (RE47313) PW SHIFT


Les références des pièces sont indicatives.  
Nos pièces ne sont pas d'origine.

Part numbers are quoted for reference purposes only.  
Our parts and accessories are not original.

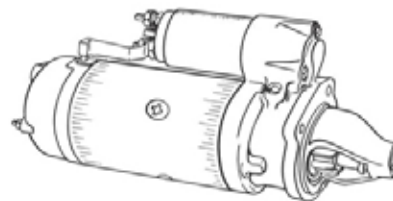
# JOHN DEERE PARTS


**Entraîneur de pompe hydraulique (JD-85)**  
**Hydraulic pump drives (JD-85)**  
**Antriebswellen für Hydraulikpumpe (JD-85)**  
**Aandrijving v/d hydrauliek pomp (JD-85)**  
**Tuberías de la bomba hidráulica (JD-85)**



	Entraîneur Drive Antriebswelle Aandrijving Conducto	Replace OEM	Note Note Anmerkung Opmerking Nota
1640 (430000 ⇄), 1840 (⇄ 429999), 2040 (430000 ⇄), 2040S (430000 ⇄), 2140 1550, 1750, 1850, 1950, 1950N, 2250, 2450, 2650, 2650N, 2850	<b>26/6632-6</b> 180mm	L34573	Pour/For/Für/Voor/Para 40 & 50 cm <sup>3</sup>

**Démarrreur (JD-97)**  
**Starter motor (JD-97)**  
**Anlasser (JD-97)**  
**Startmotor (JD-97)**  
**Motor de arranque (JD-97)**



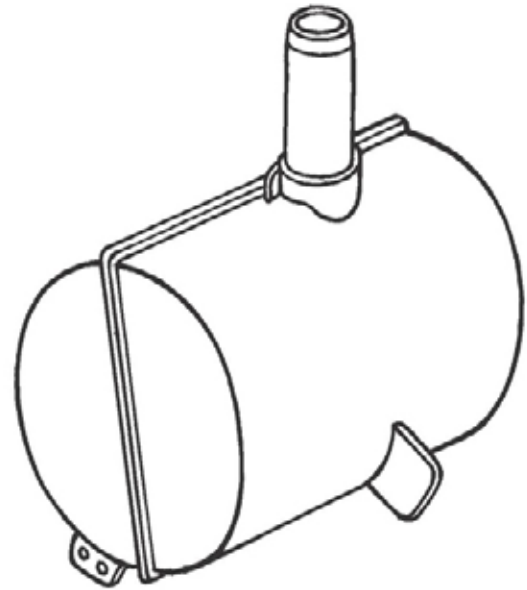
	Démarrreur Starter motor Anlasser Startmotor Motore de arranque	Lanceur Drive ass. Ritzel Bendix Transmisión	Fixation Fitting Befestigung Bevestiging Fijación	Long. sortante Prominent length Länge ab Flansch Totale lengte Longitud sobresaliente	Capacité Capacity Leistung Vermogen Capacidad	Replace OEM
6506, 6600, 6800, 6900 6510, 6610, 6810, 6910	<b>62/930-58</b>	10Z	3 Gauche/LH L/L/Izqda	240	12V., 3,1KW	AL.81154 AL.70852
3100, 3200, 3300, 3400	<b>62/930-86</b>	10Z	2 Droite/RH R/R/Drecha	255	12V., 3KW	RE.60384 AL.62772 AL.39700

Les références des pièces sont indicatives.  
 Nos pièces ne sont pas d'origine.

Part numbers are quoted for reference purposes only.  
 Our parts and accessories are not original.

# JOHN DEERE PARTS

Echappement (JD-36)  
Silencers (JD-36)  
Schalldämpfer (JD-36)  
Uitlaatdempers (JD-36)  
Silenciosos (JD-36)

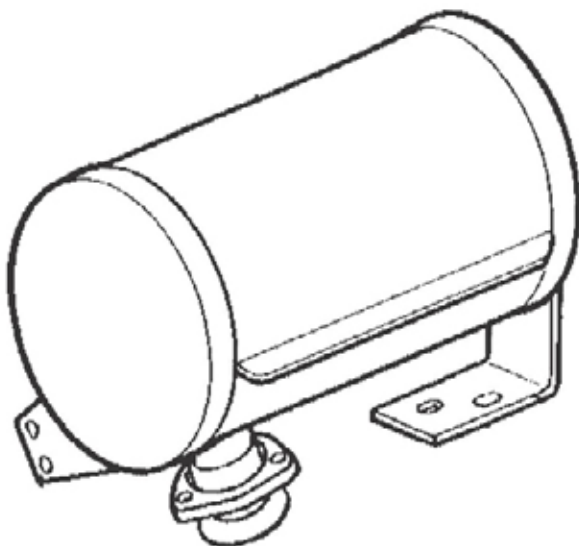


26/165-36

(AL32652)



3140 Turbo, 3340 Turbo, 3350 Turbo  
3650, 3640S (Spain)



26/165-39

(AL64409)



2450, 2650, 2450F, 2650F, 2250, 2250F  
2250, 2450, 2650, 2650N, 2850

Boîte synchronisée

Synchro transmission

Synchrongetriebe

Gesynchroniseerde versnellingsbak

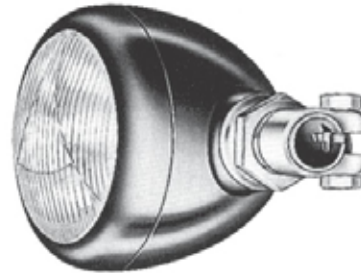
Caja sincronizada


Les références des pièces sont indicatives.  
Nos pièces ne sont pas d'origine.

Part numbers are quoted for reference purposes only.  
Our parts and accessories are not original.

# JOHN DEERE PARTS


Phare avant (JD-39)  
 Front lamp (JD-39)  
 Frontscheinwerfer (JD-39)  
 Koplamp (JD-39)  
 Faro delantero (JD-39)



	Phare avant Front lamp Frontscheinwerfer Koplamp Faro delantero	Replace OEM	Description Description Beschreibung Omschrijving Descripción	Ampoule Buld Glühlampe gloeilamp Bombilla
820, 920 1020, 1120 2020, 2120 3120	<b>26/189-5</b> Droit/RH/Rechts/Rechts/Drcha. Ex. : JD.12064AL	AL.12064	Ø 130mm, avec bride de fixation Ø 130mm, with fitting clamps Ø 130mm, mit Adapter	<b>63/1955-472</b>
1830 2030, 2130 3030, 3130	<b>26/189-6</b> Gauche/LH/Links/Links/Izquierda Ex. : JD.12065AL	AL.12065	Ø 130mm, met bevestigingsbeugel voor montage Ø 130mm, con bridas de fijación	<b>63/1955-472</b>

Optique avant (JD-39)  
 Head lamp (JD-39)  
 Frontscheinwerfer (JD-39)  
 Koplamp (JD-39)  
 Faro delantero (JD-39)



	Optique avant Head lamp Frontscheinwerfer Koplamp Faro delantero	Replace OEM
6100, 6200, 6300, 6400, 6506, 6600, 6800, 6900 6110, 6210, 6310, 6410, 6510, 6610, 6810, 6910 SE6010, SE6110, SE6210, SE6310 7600, 7700, 7800, 7610, 7710, 7810	<b>26/189-35</b>	AL.75338 RE.56964

Les références des pièces sont indicatives.  
 Nos pièces ne sont pas d'origine.

Part numbers are quoted for reference purposes only.  
 Our parts and accessories are not original.

# JOHN DEERE PARTS

Mécanismes & disques d'embrayage (JD-51)


Clutch assemblies & plates (JD-51)

Druckplatten und Kupplungsscheiben (JD-51)

Drukgroepen en koppelingsplaten (JD-51)

Embragues y discos de embrague (JD-51)



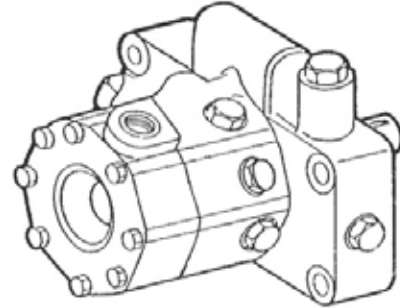
	EMBRAYAGE CLUTCH KUPPLUNG DRUKGROEP EMBRAGUE		DISQUE PLATE SCHEIBE KOPPELINGSPLAAT DISCO		BUTE DEBRAYAGE RELEASE BEARING AUSRÜCKLAGER DRUKLAGER RODAMIENTO EMPUJE
	Ø	N°	Ø	N°	
2250, 2450, 2650 2250 SG2, 2450 SG2	320 Diaphragme Diaphragm Tellerfeder Diafragma Diafragma	(132 0602 11) <b>26/200-36</b> Moyeu 23Z 23Z Hub Nabe 23 Z naaf 23 groeven Cubo Rueda 23z (AL.39592, AL.67046)	320 (A)	(1862 140 003) <b>26/221-31</b> (LN) 15Z 22,5x26 Ressorts Springs Federn Geveerd Muelles (AL.64340)	(500 0248 11) <b>26/232-5</b> (AL.28860, AL.37539, AL.39541)  ou/or/oder/of/o  (3182 001 001) <b>26/232-10</b> (↻ 649118 ) (AL.39242) Cde hydraulique Hydraulic drive Hydraulische Ausrückung Hydraulisch bediend Control Hidráulico 3 tuyaux 3 pipes 3 Anschlüsse 3 leidingen 3 Tuberias  (3182 001 003) <b>26/232-11</b> (649119 ↻ ) (AL.66088) Cde hydraulique Hydraulic drive Hydraulische Ausrückung Hydraulisch bediend Control Hidráulico 2 tuyaux 2 pipes 2 Anschlüsse 2 leidingen 2 Tuberias  <b>26/230-6</b> (JD.10107)(RV)
	330 Diaphragme avec c/butée Diaphragm with release plate Tellerfeder mit Druckstück Diafragma met druklagerring Diafragma Con plato de empuje	(133 0606 20) <b>26/200-99</b> Moyeu 23Z 23Z Hub naaf 23 groeven Cubo Rueda 23z			

Les références des pièces sont indicatives.  
Nos pièces ne sont pas d'origine.

Part numbers are quoted for reference purposes only.  
Our parts and accessories are not original.

# JOHN DEERE PARTS

Pompe hydraulique 22,6cm<sup>3</sup> (JD-87)  
Hydraulic pump 22,6cm<sup>3</sup> (JD-87)  
Hydraulikpumpe 22,6cm<sup>3</sup> (JD-87)  
Hydrauliekpomp 22,6cm<sup>3</sup> (JD-87)  
Bomba hidráulica 22,6cm<sup>3</sup> (JD-87)



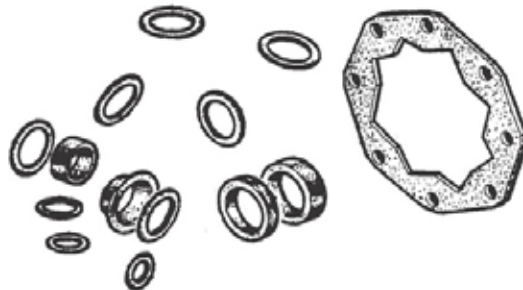
26/640-217

(AR103036, AR103033)



Séries/Series/Serien/Series/Series : "30", "40", "50"

Kit de joints  
Seal kit  
Dichtungssatz  
Dichtingsset  
Juego de retenes



26/621-15

(AR39156, AR98993)




Séries/Series/Serien/Series/Series : "30", "40", "50"

Les références des pièces sont indicatives.  
Nos pièces ne sont pas d'origine.

Part numbers are quoted for reference purposes only.  
Our parts and accessories are not original.

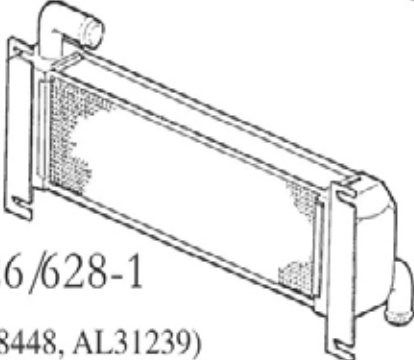
# JOHN DEERE PARTS

**Refroidisseur d'huile hydraulique (JD-87)**  
**Hydraulic oil cooler (JD-87)**  
**Hydraulik Ölkühler (JD-87)**  
**Hydrauliek oliekoeler (JD-87)**  
**Refrigerador de aceite hidráulico (JD-87)**



**26/628-2**  
(AT20848, AL32639)


1020, 1120, 2020, 2120, 830, 930, 930VU, 1030, 1030VU, 1130, 1630, 1630VU, 1830, 2030, 2130, 1035EV, 1635EV, 10300U, 16300U, 20300U, 1035EF, 1635EF, 2035EF, 1035, 1635, 2035, 2135

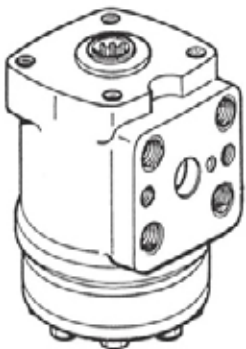


**26/628-1**  
(AL38448, AL31239)

1140F, 1640, 1640F, 1840, 1840F, 2040, 2040F, 2040S, 2140, 3040, 3140, 3340, 3640, 3640S

**Direction hydrostatique "Orbitrol" (JD-84)**  
**hydrostatic steering "Orbitrol" (JD-84)**  
**Hydrostatische Lenkung "Orbitrol" (JD-84)**  
**Hydrostatische besturing "Orbitrol" (JD-84)**  
**Dirección hidrostática "Orbitrol" (JD-84)**

		Réf. Ref. Bestell-Nr. Bestel Nr. Ref
3050, 3140, 3350, 3640, 3640S, 3650	OSPC 200CN 150-0176	<b>26/560-6</b> (AL55296)
1550, 1640, 1750, 1850, 1950, 2040, 2040S, 2140, 2250, 2450, 2650, 2850, 3040, 3050, 3140, 3150, 3340, 3350,	OSPC 150CN 150-0178	<b>26/560-7</b> (AL41291, AL55308)
1550, 1640, 1750, 1840, 1840F, 1850, 1950, 2040, 2040S, 2250, 2250F, 2450, 2450F, 2650F, 2650, 2650N, 2850, 3050, 3350	OSPC 125CN 150-0179	<b>26/560-8</b> (AL41631)



Les références des pièces sont indicatives.  
 Nos pièces ne sont pas d'origine.

Part numbers are quoted for reference purposes only.  
 Our parts and accessories are not original.

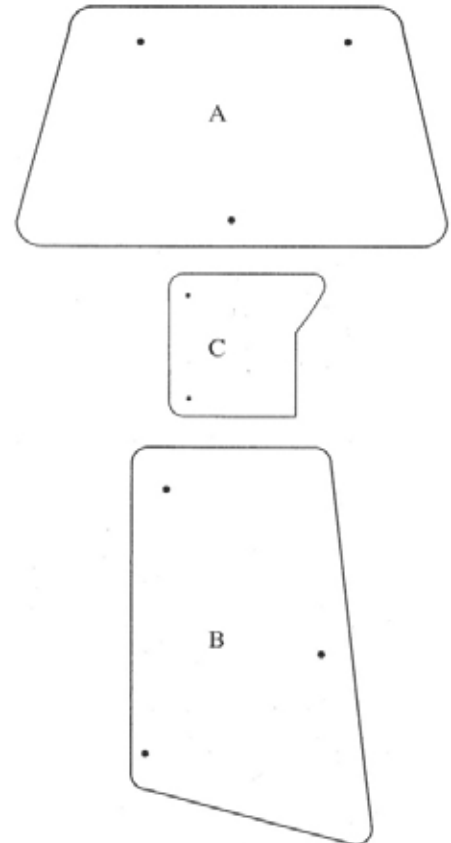


# JOHN DEERE PARTS

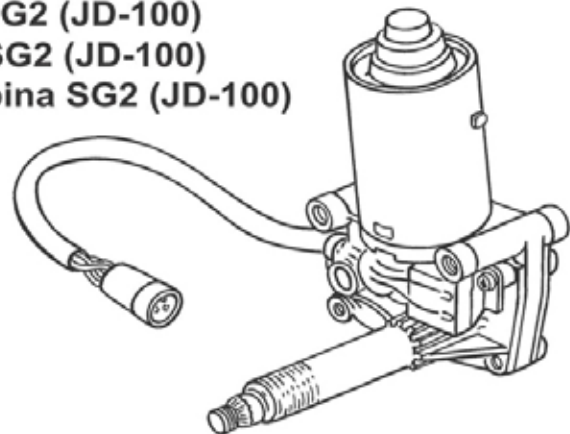
**Vitrerie de cabine (JD-108)**  
**Cab glass (JD-108)**  
**Kabinenscheiben (JD-108)**  
**Kabineruiten (JD-108)**  
**Cristal de cabina (JD-108)**

6100, 6200, 6300, 6400, 6600, 6800, 6900, 6506,  
 6110, 6210, 6310, 6410, 6510, 6610, 6810, 6910  
 SE6010, SE6110, SE6210, SE6310

Description Description Beschreibung Omschrijving Descripción	Fig. Fig. Abb. Afb. Figura	Vitrerie de cabine Cab glass Kabinenscheiben Kabineruiten Cristal de cabina	OEM	mm
Pare-brise fixe, 3 trous Windscreen fixed, 3 holes Frontscheibe fest, 3 Bohrungen Voorruit vast, 3 gaten Parabrisas fijo, 3 agujeros	A	26/4000-59	L.78733	1348x794mm
Latérale gauche, 3 trous Side window LH, 3 holes Seite L, 3 Bohrungen Zijkant links, 3 gaten Lateral izq, 3 agujeros	B	26/4047-51	L.78537	760x433mm
Latérale droite, 3 trous Side window RH, 3 holes Seite R, 3 Bohrungen Zijkant rechts, 3 gaten Lateral dcha, 3 agujeros		26/4047-52	L.78538	760x433mm
Avant (Bas gauche), 2 trous Lower front LH, 2 holes Vorne (L unten), 2 Bohrungen Voor (onder links.), 2 gaten Frontal (Inf. izq), 2 agujeros	C	26/4012-46	L.78533	620x480mm
Avant (Bas droit), 2 trous Lower front RH, 2 holes Vorne (R unten), 2 Bohrungen Voor (onder rechts), 2 gaten Frontal (Inf. dcha), 2 agujeros		26/4012-47	L.78534	620x480mm



**Moteur d'essuie-glace avant cabine SG2 (JD-100)**  
**SG2 cab front wiper motor (JD-100)**  
**Scheibenwischemotor vorn Kabine SG2 (JD-100)**  
**Ruitenwissermotor voorzijde kabine SG2 (JD-100)**  
**Motor limpia parabrisas delantero cabina SG2 (JD-100)**



63/1980-21

(AL34843, AL55527)  
 (Repl. 0390211702)

Les références des pièces sont indicatives.  
 Nos pièces ne sont pas d'origine.

Part numbers are quoted for reference purposes only.  
 Our parts and accessories are not original.

# INDEX

ACOPLAMIENTOS HIDRÁULICOS .....	85	AIR PRE-CLEANERS .....	35
ACOPLAMIENTOS .....	95	ALTERNATORS .....	96
ALTERNADORES .....	96	BALANCER SHAFT .....	20
AMORTIGUADORES .....	102	BODY PARTS .....	98
ARTÍCULOS DIVERSOS .....	44	CAB GLASS .....	103-108
ASIENTO SUSPENDIDO .....	101	CAB TRIMS .....	101
BARRAS ESTABILIZADORAS .....	93	CAPS (MISCELLANEOUS) .....	28
BOMBA ACEITE .....	21	CLUTCH ASSEMBLIES & PLATES .....	45-52
BOMBAS DE AGUA Y JUEGOS DE REPARACIÓN- EUROPA .....	24	CLUTCH PEDAL (SPARE PARTS) .....	54
BOMBAS GAS-OIL .....	22	CLUTCH SHAFTS .....	55
BOMBAS HIDRÁULICAS (PIEZAS) .....	86-87	CLUTCHES (SPARE PARTS) .....	53
CAMBIO DE MARCHAS .....	55	COMBINES .....	110-114
CAMISAS TERMINADAS .....	15	COMFORT SEAT .....	101
CIGÜEÑALES Y PIEZAS RELACIONADAS (EUROPA) .....	4-5	CONNECTING ROD BEARINGS SETS (EUROPE) .....	7-8
CIGÜEÑALES Y PIEZAS RELACIONADAS (USA) .....	6	CONNECTING ROD BEARINGS SETS (US) .....	9
CILINDRO DE FRENO .....	66	CRANKSHAFTS & RELATED PARTS (EUROPE) .....	4-5
CORONA DE DISTRIBUCIÓN .....	19	CRANKSHAFTS & RELATED PARTS (US) .....	6
CORREAS DEL VENTILADOR .....	25	DIFFERENTIAL .....	60
COSECHADORAS .....	110-114	DISC BRAKES .....	64-65
CRISTAL DE CABINA .....	103-108	ENGINE GASKET SETS (EUROPE) .....	18
DEPÓSITOS Y ACCESORIOS .....	38	ENGINE GASKET SETS (US) .....	19
DIFERENCIAL .....	60	ENGINE OIL COOLER .....	21
DIRECCIÓN HIDRÁULICA .....	84	FAN BELTS .....	25
DIRECCIÓN HIDROSTÁTICA .....	82,84	FILTERS .....	30-34
DIRECCIÓN MANUAL E HIDRÁULICA .....	83	FINAL DRIVE & REAR AXLE .....	61
DISCOS DE FRENO .....	64-65	FINISHED LINERS .....	15
EJE BALANCEADOR .....	20	FLYWEEL GEAR .....	19
EJE DEL ELEVADOR INFERIOR .....	62	FRONT AXLE - UNIVERSAL JOINTS .....	67
EJE DELANTERO .....	72	FRONT AXLE DRIVE .....	70-72
EJE DELANTERO Y ARTICULACIÓN UNIVERSAL .....	67	FRONT AXLE PARTS .....	68-69,72,74-76
EJE FRONTAL .....	70-71	FUEL PUMPS .....	22
EJE TRASERO .....	61	GAS STRUTS .....	102
EJES DE EMBRAGUE .....	55	GEAR SHIFT LEVER .....	55
EJES Y EMBRAGUES DE LA TDF .....	63	GLAZING RUBBER AND DRAFT EXCLUDERS .....	102
ELEVADOR HIDRÁULICO .....	58-59,93	HEAVY DUTY SPINDLES & HUBS (PAIR) .....	73
EMBRAGUE (RESPUESTOS) .....	53	HI-LO CLUTCH - OIL PUMP TRANSMISSION .....	56
EMBRAGUE HI-LO Y BOMBA DE TRANSMISIÓN .....	56	HYDRAULIC COUPLINGS .....	85
EMBRAGUES Y DISCOS DE EMBRAGUE .....	45-52	HYDRAULIC LIFT .....	58-59,93
ENGRANAJES DE DISTRIBUCIÓN .....	20	HYDRAULIC PIPES .....	87
ESCOBILLAS DEL LIMPIA-PARABRISAS .....	100	HYDRAULIC PUMP DRIVES .....	85
ESTABILIZADORES .....	94	HYDRAULIC PUMPS .....	86-87
FILTROS .....	30-34	HYDRAULIC STEERING .....	84
GOMAS PARA CRISTALES DE CABINA .....	102	HYDROSTATIC STEERING .....	82,84
HORQUILLA NIVELADORA .....	90-91	INJECTOR NOZZLES & PARTS .....	23
INSTRUMENTOS (DIVERSOS) .....	42	INSTRUMENTS (MISCELLANEOUS) .....	42
INTERRUPTORES VARIOS .....	29,43	LEVELLING ROD ASSEMBLIES .....	90-91
JUEGOS DE REVESTIMIENTO .....	101	LIGHTING .....	39-41
JUEGO DE SEGMENTOS .....	14	LINKAGE .....	95
JUEGOS DE MOTOR COMPLETOS .....	16	LOWER LINK SENSING SHAFTS .....	62
JUEGOS DE RODAMIENTOS PARA BIELAS (EUROPA) .....	7-8	MANUAL & HYDRAULIC STEERINGS .....	83
JUEGOS DE RODAMIENTOS PARA BIELAS (USA) .....	9	MASTER BRAKE CYLINDER .....	66
		MEDALLION & DECAL SETS .....	99
		MISCELLANEOUS ITEMS .....	44

Las referencias originales tienen un propósito identificativo.  
 Nuestras piezas no son originales.

Part numbers are quoted for reference purposes only.  
 Our parts and accessories are not original.



# INDEX

JUEGOS DIRECCIÓN ASISTIDA .....	73	MISCELLANEOUS PARTS FOR «BOSCH» ALTERNATORS .....	96
JUEGOS REPARACIÓN BOMBA DE AGUA - USA .....	24	MISCELLANEOUS PARTS FOR «BOSCH» GENERATOR .....	96
JUNTAS DE MOTOR (EUROPA) .....	18	OIL PUMP .....	21
JUNTAS DE MOTOR (USA) .....	19	OVERHAUL KITS .....	16
LLANTAS Y TORNILLOS DE LLANTA .....	67	PAINT .....	99
LUCES .....	39-41	PISTONS .....	15
MANGUITOS RADIADOR .....	27	PISTONS, RING SETS & LINERS (EUROPE) .....	10-13
MEDALLÓN Y JUEGO CALCAS .....	99	PISTONS, RING SETS & LINERS (USA) .....	14
MOTORES DE ARRANQUE .....	97	POWER STEERING KITS .....	73
PAREJA DE MANGUETAS Y CUBOS DE RUEDA REFORZADAS ....	73	RADIATOR .....	28
PEDAL DE EMBRAGUE (PIEZAS) .....	54	RADIATOR HOSES .....	27
PIEZAS DE CARROCERÍA .....	98	REPAIR KITS - WATER PUMPS - USA .....	24
PIEZAS PARA EL EJE DELANTERO .....	68-69,72,74-76	RIM & RIM BOLTS .....	67
PINTURA .....	99	RING SETS .....	14
PISTONES .....	15	SHAFTS AND PTO CLUTCH .....	63
PISTONES, JUEGOS DE ANILLOS, Y CAMISAS (EUROPA) .....	10-13	SILENCERS .....	36-37
PISTONES, JUEGOS DE ANILLOS, Y CAMISAS (USA) .....	14	SPARE PARTS FOR «BOSCH» STARTER MOTORS .....	97
PRE-FILTRO DE AIRE .....	35	STABILISERS .....	94
RADIADOR .....	28	STARTER MOTORS .....	97
REFRIGERADOR DE ACEITE DEL MOTOR .....	21	STEERING LINKS & SOCKETS .....	77-82
REPUESTOS PARA ALTERNADORES BOSCH .....	96	SWAY BLOCKS .....	93
REPUESTOS PARA MOTORES DE ARRANQUE BOSCH .....	97	SWITCHES (MISCELLANEOUS) .....	29,43
REPUESTOS PARA VÁLVULAS Y CULATAS .....	17	TANKS & ACCESSORIES .....	38
RÓTULAS Y ACOPLES DE DIRECCIÓN .....	77-82	THERMOSTATS & PARTS .....	26
SILENCIOSOS .....	36-37	TILL HYDRAULIC VALVES .....	92
TABLA DE APLICACIÓN PARA TRACTORES Y MOTORES .....	3	TIMING GEARS .....	20
TAPONES (DIVERSOS) .....	28	TOP LINKS .....	88-89
TERCEROS PUNTOS .....	88-89	TRACTORS AND ENGINES APPLICATION CHART .....	3
TERMOSTATOS Y PIEZAS .....	26	TRANSMISSION .....	56-57
TOBERAS Y PIEZAS DE CONEXIÓN .....	23	VALVES & CYLINDER HEAD PARTS .....	17
TRANSMISIÓN .....	56-57	WATER PUMPS & REPAIR KITS - EUROPA .....	24
TUBERÍAS HIDRÁULICAS «TILL» .....	92	WIPER BLADES .....	100
TUBERÍAS DE LA BOMBA HIDRÁULICA .....	85		
TUBERÍAS DEL HIDRÁULICO .....	87		

Las referencias originales tienen un propósito identificativo.  
 Nuestras piezas no son originales.








**"THE RELIABLE SERVICE"**

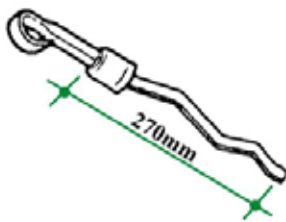


Part numbers are quoted for reference purposes only.  
 Our parts and accessories are not original.

**INTERRUPTORES VARIOS**  
**SWITCHES (MISCELLANEOUS)**

<b>26/180-5</b> (DE.12465, AL.24527, AZ.15473, RE.51774)	Sensor de temperatura Rosca 1/2" BSP <i>Temperature sender</i> <i>Thread 1/2" BSP</i>		820, 830, 840, 920, 930, 940, 1020, 1030, 1040, 1120, 1130, 1140, 1350, 1550, 1630, 1640, 1750, 1830, 1840, 1850, 1950, 2020, 2030, 2040, 2040S, 2120, 2130, 2140, 2250, 2450, 2650, 2850, 3030, 3040, 3050, 3120, 3130, 3140, 3350, 3640, 3650
<b>26/180-6</b> (DX.10361, DE.11572)	Sensor de temperatura Rosca 5/8" UNF <i>Temperature sender</i> <i>Thread 5/8" UNF</i>		820, 830, 840, 920, 930, 940, 1020, 1030, 1040, 1130, 1140, 1630, 1640, 1830, 1840, 2020, 2030, 2040, 2040S, 2120, 2130, 3030, 3040, 3120, 3130, 3140, 3340, 3640, 3640S, 4040, 4040S, 4230, 4240, 4240S, 4350, 4430, 4440
<b>26/187-7</b> (R.36265, AT.31756, AR.89691, AR.85323, AT.85153, AL.58356)	Interruptor de seguridad <i>Safety switch</i>		820, 830, 840, 920, 930, 940, 1020, 1030, 1040, 1130, 1140, 1630, 1640, 1830, 1840, 2020, 2030, 2040, 2040S, 2120, 2130, 3030, 3040, 3120, 3130, 3140, 3340, 3640, 3640S, 4040, 4040S, 4230, 4240, 4240S, 4350, 4430, 4440
<b>26/187-3</b> (AL.27809, AL.67715)	Interruptor de luz de parada <i>Stop light switch</i>		820, 830, 840, 920, 930, 940, 1020, 1030, 1040, 1120, 1130, 1140, 1350, 1550, 1630, 1640, 1750, 1850, 1950, 2020, 2030, 2040, 2040S, 2120, 2130, 2140, 2250, 2450, 2650, 2850, 3030, 3040, 3050, 3130, 3140, 3350, 3640, 3650, 4040, 4040S, 4230, 4240, 4350, 4430, 4440
<b>26/186-4</b> (AR.27977, AT.85174)	Interruptor presión aceite <i>Oil pressure switch</i>		310, 510, 710, 820, 830, 840, 920, 930, 940, 1020, 1030, 1040, 1120, 1130, 1140, 1350, 1550, 1630, 1640, 1750, 1830, 1840, 1850, 1950, 2020, 2030, 2040, 2040S, 2120, 2130, 2140, 2250, 2450, 2650, 2850, 3030, 3040, 3050, 3100, 3120, 3130, 3140, 3200, 3200X, 3300, 3300X, 3350, 3400, 3400X, 3640, 3650

**VARILLA DEL ACEITE**  
**ENGINE OIL DIPSTICK**



**26/86-11**  
 (AT.21534, AR.78192, RE.47261, RE.49440)

310, 510, 710, 820, 830, 840, 920, 930, 940, 1020, 1030, 1040, 1120, 1130, 1140,  
 1630, 1830, 2020, 2030, 2120, 2130, 2250, 2450, 2650, 2650N, 2850, 3030,  
 3040, 3050, 3130, 3140, 3350, 3640, 3640S, 3650, 4040, 4040S

Las referencias originales tienen un propósito identificativo.  
 Nuestras piezas no son originales.

Part numbers are quoted for reference purposes only.  
 Our parts and accessories are not original.



**PRE-FILTRO DE AIRE**  
**AIR PRE-CLEANERS**

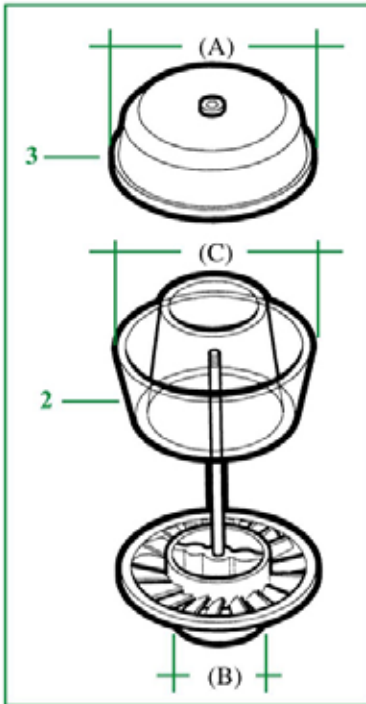
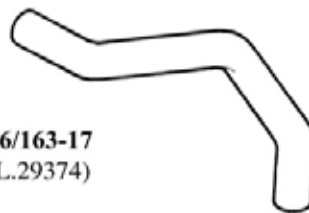


Fig.	1	2	3
<b>Tractores</b> <i>Tractors</i>	<b>Pre-filtro de aire completo</b> <i>Air pre-cleaner assy</i>	<b>Vaso</b> <i>Bowl</i>	<b>Tapa</b> <i>Dust shield</i>
940, 1020, 1030, 1040, 1120, 1130, 1140, 1630, 1640, 1830, 1840, 2020, 2030, 2040, 2120, 2130, 2250, 2450, 2650, 2850	<b>26/168-3</b> (AL.39934, AL.37357) (A) 186mm (B) Ø 80mm	<b>26/169-3</b> (R.28794) (C) 182mm	<b>26/168-3A</b> (AL.37364, FE.0648) (A) 186mm
2140, 3030, 3040, 3050, 3120, 3130, 3140, 3350, 3640, 3650	<b>26/168-4</b> (AZ.24175) (A) 269mm (B) Ø 80mm	<b>26/169-4</b> (L.28519) (C) 265mm	<b>26/168-4A</b> (AR.1729R, FE.6548) (A) 269mm
2140, 3030, 3040, 3050, 3120, 3130, 3140, 3350, 3640, 3650 <i>Versión económica</i> <i>Economy version</i>	<b>26/168-16</b> (AZ.24175)	<b>26/169-11</b> (L.28519)	

**MANGUITO DE FILTRO DE AIRE**  
**AIR CLEANER HOSES**



**26/163-17**  
(L.29374)

820, 830, 920, 930, 1020, 1030, 1120, 1130, 1630



**26/163-18**  
(L.29373)

820, 830, 920, 930, 1020, 1030, 1120, 1130, 1630, 1830, 2030, 2130

**EVACUADOR**  
**EVACUATOR**

**26/155-1**  
(T.23262, T.23263)



820, 830, 840, 930, 940, 1020, 1030, 1040, 1120, 1130, 1140, 1350, 1550, 1630, 1640, 1750, 1830, 1840, 1850, 2020, 2030, 2040, 2040S, 2120, 2130, 3040, 3140, 3640

**VASO CRISTAL**  
**FUEL GLASS BOWL**

**26/112-2**  
(R.56434, T.19119)



Tipo : CAV  
Base convexal/ *Convex bottom*  
Altura/ *Height* 43mm  
Ø agujero/ *hole* Ø : 17,4mm

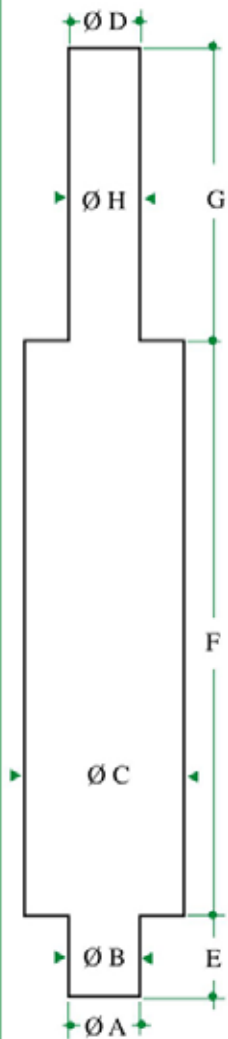
310, 510, 710, 820, 830, 920, 930, 1020, 1030, 1120, 1130, 1630, 1830, 2020, 2030, 2120, 2130, 3020, 3120, 4020

Las referencias originales tienen un propósito identificativo.  
Nuestras piezas no son originales.

Part numbers are quoted for reference purposes only.  
Our parts and accessories are not original.

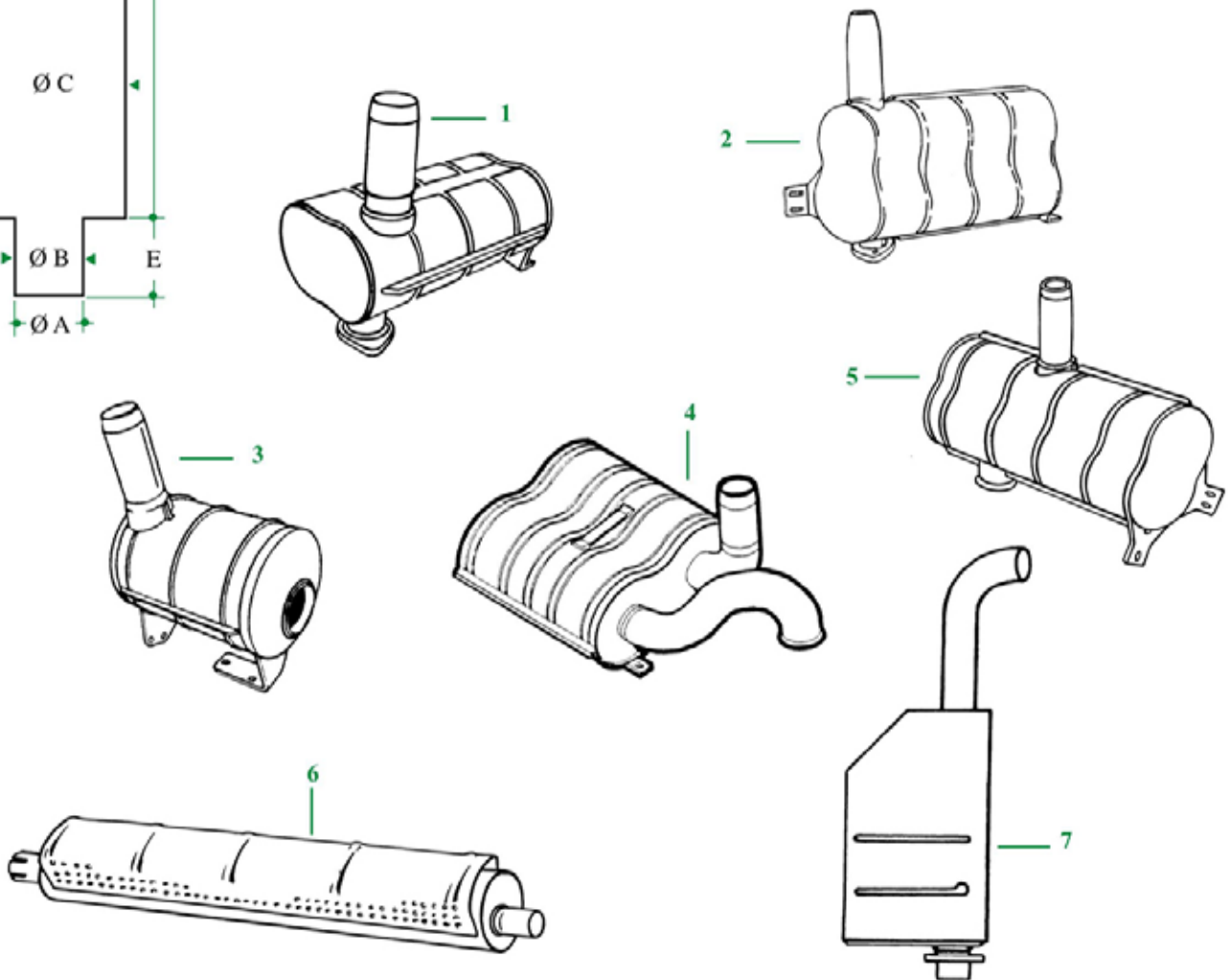


**SILENCIOSOS  
 SILENCERS**



Referencia Reference	A	B	C	D	E	F	G	H
26/165-82 (AT.21795)	52	55	120	41	55	79	60	45
26/165-15 (AL.27388)	63	66	138/220	48	90	485	225	51
26/165-16 (AL.27389)	63	66	117/215	48	200	500	160	51
26/165-17 (AL.24553)	74	76	112/230	64	100	620	200	66
26/165-86 (AR.41171, AR.86595)	75	78	110/230	54	88	490	100	57
26/165-83 (AR.86599, RE.20224)	99	104	112/220	88	20	845	90	92
26/165-85 (AR.48773, AR.61073)	101	104	112/210	85	28	840	65	90

Dimensiones en mm / size in mm

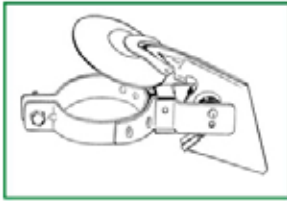


Las referencias originales tienen un propósito identificativo.  
 Nuestras piezas no son originales.

Part numbers are quoted for reference purposes only.  
 Our parts and accessories are not original.



## SILENCIOSOS SILENCERS



### Junta colector Exhaust manifold gasket

**26/66-12** Todos los tractores  
(T.20006) *All tractors*



Tractores Tractors	Fig. Fig.	Silencioso Silencer	Tubo Pipe	Junta Gasket	Tapa Weathercap
830, 840, 930, 940, 1020, 1030, 1040, 1120, 1130, 1140, 1350, 1550, 1630, 1750, 1850, 1850N	Vertical Vertical	<b>26/165-15</b> (AL.27388)	<b>26/166-1</b> (R.38358)	<b>26/6167-2</b> (T.20141)	<b>70/2930-51</b> (AT.10611)
840, 940, 1040, 1140, 1350, 1550, 1750, 1850, 1850N	1	<b>26/165-18</b> (AL.31552)	<b>26/166-5</b> (AL.34694) 1050mm <b>26/166-6</b> (AL.31863) 1200mm	<b>26/6167-1</b> (L.34455, L.62441)	<b>70/2930-76</b> (AL.28307)
1830, 2020, 2030, 2120, 2130	Vertical Vertical	<b>26/165-16</b> (AL.27389)	<b>26/166-1</b> (R.38358)	<b>26/6167-2</b> (T.20141)	<b>70/2930-51</b> (AT.10611)
1640, 1840, 2040, 2040S, 2250, 2450	2	<b>26/165-20</b> (AL.31492)	<b>26/166-5</b> (AL.34694) 1050mm <b>26/166-6</b> (AL.31863) 1200mm	<b>26/6167-1</b> (L.34455, L.62441)	<b>70/2930-76</b> (AL.28307)
2140, 2650, 2850	3	<b>26/165-22</b> (AL.35753)	<b>26/166-7</b> (AL.31862) 1330mm		
3030, 3120, 3130	Vertical Vertical	<b>26/165-17</b> (AL.24553)	<b>26/166-2</b> (T.32537)		<b>70/2930-70</b> (AT.32240)
3040, 3140 (⇔ 252123)	4	<b>26/165-24</b> (AL.30338)	<b>26/166-5</b> (AL.34694) 1050mm <b>26/166-6</b> (AL.31863) 1200mm	<b>26/6167-3</b> (R.31142, 51M7057)	<b>70/2930-76</b> (AL.28307)
3040, 3050, 3140 (252124 ⇔ ), 3150, 3350, 3640	5	<b>26/165-25</b> (AL.37167)	<b>26/166-7</b> (AL.31862) 1330mm		
4040, 4040S, 4050, 4250, 4440, 4450	Vertical Vertical	<b>26/165-83</b> (AR.86599, RE.20224)			<b>70/2930-95</b> (AR.86600)
830, 930, 1020, 1030, 1120, 1130, 1630, 1830, 2020, 2030, 2120, 2130	6 Horizontal Horizontal	<b>26/165-82</b> (AT.21795)			
1035EV, 1635EV	7	<b>26/165-84</b> (DE.12410)			
4320, 4430, 4630	Vertical Vertical	<b>26/165-85</b> (AR.48773, AR.61073)			<b>70/2930-95</b> (AR.86600)
4020, 4230, 4240	Vertical Vertical	<b>26/165-86</b> (AR.41171, AR.86595)			<b>70/2930-57</b>


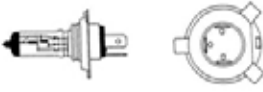

Las referencias originales tienen un propósito identificativo.  
Nuestras piezas no son originales.

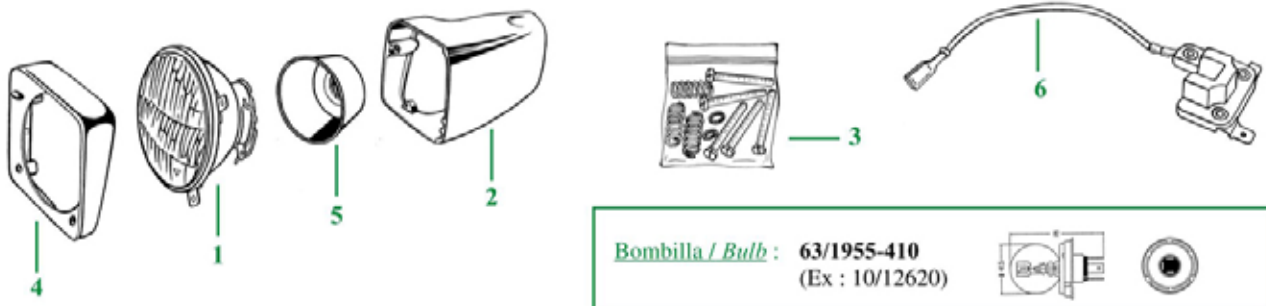
Part numbers are quoted for reference purposes only.  
Our parts and accessories are not original.



## LUCES LIGHTING

### LUCES FRONTALES / FRONT LAMPS

<p><b>26/189-202K</b> (ET.1400K2)</p>	<p>Pareja de faros halógenos AV Ø 144mm 3 funciones, Ø 144mm Con bridas de fijación para tubos Ø 24mm Sustituye AL.12064 &amp; AL.12065</p> <p><i>Pair of front lamps Ø 144mm (3 functions lens) With fitting clamps for Ø 24mm tube</i></p> <p><u>Bombilla / Bulb</u> : 63/1955-472 (Ex : 10/12342)</p>		<p>Modelos antiguos series "20" &amp; "30" <i>Early tractors "20" &amp; "30" series</i></p>
<p><b>26/181-204</b> (AL.56091)</p>	<p>Faro, Halógen H4 <i>Lens, halogen H4</i></p> <p><u>Bombilla / Bulb</u> : 63/1955-472 (Ex : 10/12342)</p> 		<p>1550, 1750, 1850, 1850N, 1950, 1950N, 2250, 2450, 2650, 2650N, 2850, 3050, 3350, 3650, 4050, 4055, 4250, 4255, 4450, 4455, 4555, 4650, 4755, 4850, 4955</p>



Bombilla / Bulb : 63/1955-410  
(Ex : 10/12620)

Fig.	1	2		3	4	5	6
Tractores Tractors	Faro delantero Lens	Caja faro (izq.) LH cowl	Caja faro (drcha.) RH cowl	Juego de tornillos Fastening kit	Marco Frame	Guardapolvo Dust shield	Porta bombilla Bulb holder
830, 930, 1030, 1130, 1630, 1830, 2030, 2130, 3030, 3130	26/181-203 (DE.12298)	26/182-8 (R.60139)	26/182-9 (R.60138)	26/184-2 (B.18402)	26/188-200 (R.60135)	26/187-200 (CE.14071)	26/1956-1 (AR.49563)
840, 4640, 4840							
940, 1040, 1140, 1640, 2040, 2040S, 2140, 3040, 3140, 3640		26/182-8 (R.60139)	26/182-9 (R.60138)	26/184-2 (B.18402)			
4040, 4240S							

### FAROS COMPLETOS / LAMP ASSEMBLIES



**26/189-200** Izquierda / LH  
(DE.13524)

**26/189-201** Derecha / RH  
(DE.13523)

Las referencias originales tienen un propósito identificativo.  
Nuestras piezas no son originales.



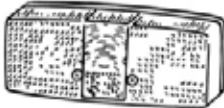
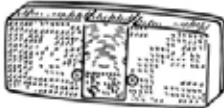

Part numbers are quoted for reference purposes only.  
Our parts and accessories are not original.





**LUCES  
 LIGHTING**

**LUCES TRASERAS / REAR LIGHTS**

<p><b>26/1912-16K</b> (ET.954/5, AL.25875)</p>	<p>Luces traseras / <i>Rear light (pair)</i>  <u>Bombillas / Bulbs</u> : <b>63/1955-245</b> (10W)                  (Ex : 10/12814)  <b>63/1955-382</b> (21W)                  (Ex : 10/12498)</p>		<p>Serie "20"</p>
<p><b>26/1912-17</b> (AL.24545) (Derecha/RH)</p> <p><b>26/1912-18</b> (AL.25645) (Izquierda/LH)</p>	<p>Luz trasera con enganches / <i>Rear light with clips</i>  <u>Cristal / Glass</u> : <b>26/1913-17</b>                  (AL.27008)                  (Derecha/RH)  <b>26/1913-18</b>                  (AL.27014)                  (Izquierda/LH)</p> <p><u>Bombillas / Bulbs</u> : <b>63/1955-245</b> (10W)                  (Ex : 10/12814)  <b>63/1955-382</b> (21W)                  (Ex : 10/12498)</p>		<p>Series "30" &amp; "40"</p>
<p><b>26/1912-19</b> (AL.32070, AL.64946) (Derecha/RH)</p> <p><b>26/1912-20</b> (AL.32071) (Izquierda/LH)                  Con luces de matrícula  <i>With plate lighting</i></p>	<p>Luz trasera  <i>Rear light</i>  <u>Cristal / Glass</u> : <b>26/1913-80</b> (Derecha/RH)  <b>26/1913-81</b> (Izquierda/LH)</p> <p><u>Bombillas / Bulbs</u> : <b>63/1955-245</b> (10W)                  (Ex : 10/12814)  <b>63/1955-382</b> (21W)                  (Ex : 10/12498)</p>		<p>Serie "40"</p>
<p><b>26/1912-19</b> (AL.32070, AL.64946) (Derecha/RH)</p> <p><b>26/1912-21</b> (AL.35176, AL.64947) (Izquierda/LH)                  Sin luces de matrícula  <i>Less plate lighting</i></p>	<p>Luz trasera  <i>Rear light</i>  <u>Cristal / Glass</u> : <b>26/1913-80</b> (Derecha/RH)</p> <p><u>Bombillas / Bulbs</u> : <b>63/1955-245</b> (10W)                  (Ex : 10/12814)  <b>63/1955-382</b> (21W)                  (Ex : 10/12498)</p>		<p>Serie "50"</p>
<p><b>26/1920-1</b> (AT.27535)</p>	<p>Luces de matrícula / <i>Plate lighting</i>  <u>Bombilla / Bulb</u> : <b>63/1955-245</b> (10W)                  (Ex : 10/12814)</p>		<p>Series "30" &amp; "40"</p>




Las referencias originales tienen un propósito identificativo.  
 Nuestras piezas no son originales.

Part numbers are quoted for reference purposes only.  
 Our parts and accessories are not original.



## LUCES LIGHTING

### LUCES DELANTERAS E INTERMITENTES / FRONT LIGHTS AND SIDE INDICATORS

<b>26/1918-2</b> (AL.13659)	<b>Bombillas / Bulbs :</b> <b>63/1955-202</b> (3W) (Ex : 10/12842) <b>63/1955-270</b> (18W) (Ex : 10/12807)		Serie "20"
<b>26/1918-3</b> (AL.25644)	<b>Cristal / Glass :</b> <b>26/1919-3</b> (AL.27013) <b>Bombillas / Bulbs :</b> <b>63/1955-239</b> (5W) (Ex : 10/12844) <b>63/1955-382</b> (21W) (Ex : 10/12498)		Series "30" & "40"
<b>26/1918-4</b> (AL.25877)	Luces blancas de posición en la cabina <i>Cab white light</i>  <b>Cristal / Glass :</b> <b>26/1919-4</b> (AL.27012) <b>Bombillas / Bulbs :</b> <b>63/1955-239</b> (5W) (Ex : 10/12844)		940, 1040, 1140, 1640, 2030, 2040, 2040S, 2130, 2140, 3030, 3040, 3130, 3140, 3640, 4040, 4040S, 4240, 4240S, 4350, 4440

### FAROS DE TRABAJO / PLOUGH LAMPS

<b>63/1931-3</b> (ET.5171)  Faro de trabajo Caja faro (anti-choque) Gran ángulo de iluminación Luz halógena H3 - sin asa  <i>Work lamp with free-form reflector Extremely wide-angled illumination Halogen H3 - Less handle</i>  <b>Bombillas / Bulbs :</b> <b>63/1955-453</b> (12V/55W) (Ex : 10/12336)	<b>63/1931-5</b> (10/W.394)  Faro ajustable 360 grados Luz halógena H3 - 112 x 126mm (Cristal : 82 x 82mm)  <i>Adjustable lamp 360° Halogen H3 - 112 x 126mm (Glass : 82 x 82mm)</i>  <b>Bombillas / Bulbs :</b> <b>63/1955-453</b> (12V/55W) (Ex : 10/12336)  <b>63/1934-5</b> (ET.131) Fijación para 1931-5 <i>Bracket for 1931-5</i>
<b>63/1931-4</b> (ET.1253/F)  Luz halógena H3 Con interruptor  <i>Halogen H3 With switch</i>  <b>Bombillas / Bulbs :</b> <b>63/1955-453</b> (12V/55W) (Ex : 10/12336)	<b>63/1931-6</b> (ET.1251/H)  182 x 100mm Luz halógena H3 Halogen H3  <b>Bombillas / Bulbs :</b> <b>63/1955-453</b> (12V/55W) (Ex : 10/12336)

Otras clases de luces se pueden encontrar en la sección de luces en la 1a. parte del catálogo.  
*Other suitable lights can be found in the lighting section (part 1 of the catalogue).*

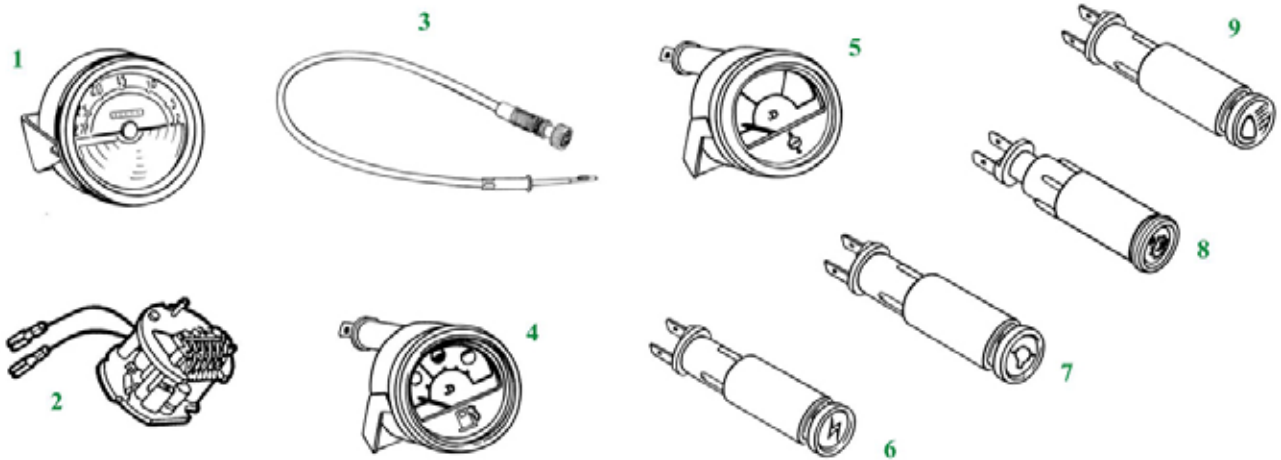


Las referencias originales tienen un propósito identificativo.  
Nuestras piezas no son originales.

Part numbers are quoted for reference purposes only.  
Our parts and accessories are not original.



**INSTRUMENTOS (DIVERSOS)**  
**INSTRUMENTS (MISCELLANEOUS)**



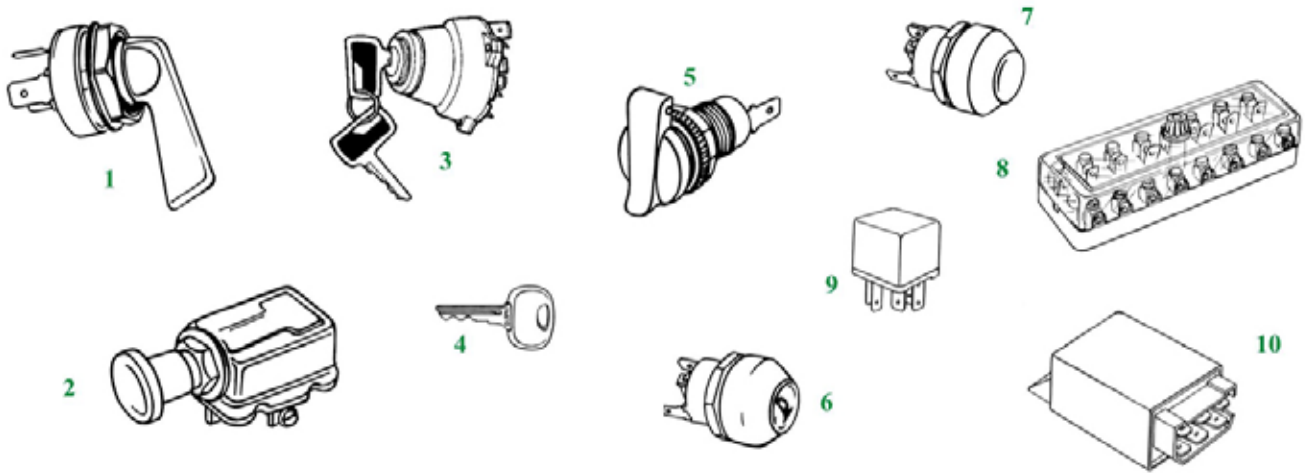
Tractores Tractors	Fig. Fig.	Descripción Description	Ref. Ref.
820, 830, 920, 930, 1020, 1030, 1120, 1130, 1630, 2020, 2030, 2120, 2130	1	Tractómetro 25km/H Tractometer	26/176-29 (AL.24291, DE.14411, AL.30802)
		Tractómetro 32km/H Tractometer	26/176-28 (AL.24289, DE.14410, AL.30800)
840, 940, 1040, 1140, 1550, 1640, 1750, 1840, 1850, 1850N, 1950, 1950N, 2040, 2040S, 2140, 2250, 2450, 2650, 2650N, 2850, 2850N, 3040, 3050, 3140, 3350, 3640, 3650	2	Cuentahoras eléctrico Electric hour meter	26/176-30 (AL.33164)
830, 930, 1020, 1030, 1130, 1630	3	Eje flexible Lg. : 600mm Flexible shaft	26/177-15 (AL.23837)
1830, 2020, 2030, 2120, 2130 Sin cabina / Less cab		Eje flexible Lg. : 650mm Flexible shaft	26/177-14 (AL.23838)
2030, 2130, 3030, 3130		Eje flexible Lg. : 860mm Flexible shaft	26/177-13 (AL.25366)
820, 830, 920, 930, 1020, 1030, 1130, 1630, 1830, 2020, 2030, 2120, 2130, 3030, 3120, 3130	4	Indicador combustible Fuel gauge	26/171-11 (AL.24294)
820, 830, 930, 1020, 1030, 1120, 1130, 1630, 1830, 2020, 2030, 2120, 2130, 3030, 3120, 3130	5	Indicador temperatura Temperature gauge	26/174-13 (AL.24526, AL.24293, DE.14419)
830, 930, 1020, 1030, 1120, 1130, 1630, 1830, 2020, 2030, 2120, 2130, 3030, 3120, 3130	6	Indicador de batería Battery indicator	26/971-1 (AT.24692)
	7	Indicador presión del aceite Oil pressure indicator	26/970-1 (AT.24693)
820, 920, 1020, 1120, 1830, 2020, 2030, 2120, 2130, 3030, 3130	8	Indicador de velocidades Gear box indicator	26/972-1 (AT.27371)
830, 930, 1020, 1030, 1120, 1130, 1630, 1830, 2020, 2030, 2120, 3030, 3120, 3130, 4040S, 4240S, 4350	9	Indicador luces principales Main lights indicator	26/973-1 (AT.24691)

Las referencias originales tienen un propósito identificativo.  
 Nuestras piezas no son originales.

Part numbers are quoted for reference purposes only and  
 are not used as original equipment.



**INTERRUPTORES VARIOS**  
**SWITCHES (MISCELLANEOUS)**



Tractores Tractors	Fig. Fig.		Referencia Reference
1020, 1120, 1830, 2020, 2030, 2120, 2130, 3030, 3120, 3130	1	Interruptor luz Switch (flasher)	<b>26/956-3</b> (AT.30194, AT.27651)
820, 830, 920, 930, 1020, 1030, 1120, 1130, 1630, 2020, 2030, 2120, 2130, 3030, 3120, 3130, 4040, 4230, 4240, 4430, 4440	2	Interruptor de arranque Starter switch	<b>26/950-11</b> (Ex : 10/343B) (AL.23512)
820, 830, 920, 930, 1020, 1030, 1120, 1630, 1830, 2020, 2030, 2120, 2130, 3030, 3120, 3130	3	Interruptor de luz con llave Lightning switch with key	<b>26/950-6</b> (AL.19890) 6 Posición/positions
840, 940, 1040, 1140, 1550, 1750, 1850, 1950, 1950N, 1640, 2040, 2040S, 2140, 2650, 2650N, 2850, 3040, 3050, 3140, 3350, 3650, 3640, 3640S			<b>26/950-7</b> (AL.35864) 5 Posición/positions
820, 830, 920, 930, 1020, 1030, 1120, 1630, 1830, 2020, 2030, 2120, 2130, 3030, 3120, 3130	4	Llave Key	<b>26/951-5</b> (Z.44576, L.28520)
840, 940, 1040, 1140, 1550, 1750, 1850, 1950, 1950N, 1640, 2040, 2040S, 2140, 2650, 2650N, 2850, 3040, 3050, 3140, 3350, 3650, 3640, 3640S, 4050, 4055, 4250, 4255, 4450, 4455, 4755, 4955			<b>26/951-6</b> (AL.35863)
510, 710, 820, 830, 920, 930, 1020, 1030, 1120, 1130, 1630, 2020, 2030, 2120, 2130, 3030, 3120, 3130	5	Tapón Plug	<b>26/963-1</b> (AL.16048)
830, 930, 940, 1020, 1030, 1040, 1120, 1130, 1140, 1550, 1630, 1640, 1750, 1830, 1840, 1850, 1950, 1950N, 2020, 2030, 2040, 2040S, 2120, 2130, 2140, 2250, 2450, 2650, 2650N, 2850, 3030, 3040, 3050, 3120, 3130, 3140, 3350, 3640, 3650, 6100, 6200, 6300, 6400	6	Accionador del claxon Horn push button	<b>26/953-2</b> (AT.29073)
	7	Interruptor de arranque Starter push button	<b>26/950-8</b> (AL.17684)
310, 510, 710, 820, 830, 920, 930, 1020, 1030, 1120, 1130, 1630, 1830, 2020, 2030, 2120, 2130, 3030, 3120, 3130, 4040, 4040S, 4230, 4240, 4240S, 4350, 4430, 4440	8	Caja de fusibles (8) Fuses box (8)	<b>26/964-1</b> (AL.14007)
840, 940, 1040, 1140, 1350, 1550, 1640, 1750, 1840, 1850, 1950, 2040, 2040S, 2140, 2250, 2450, 2650, 2850, 3040, 3050, 3140, 3340, 3350, 3640, 3640S, 3650	9	Interruptor solenoide Solenoid switch	<b>26/965-1</b> (AL.36335, AL.32072, AL.58367)
310, 510, 710, 820, 840, 920, 930, 940, 1020, 1030, 1040, 1120, 1130, 1140, 1350, 1630, 1640, 1750, 1840, 1850, 1950, 2020, 2030, 2040, 2040S, 2120, 2130, 2250, 2450, 2650, 2850, 3030, 3040, 3050, 3120, 3130, 3140, 3340, 3350, 3640, 3640S, 3650, 4040, 4230, 4240, 4430, 4440	10	Unidad de intermitencias Flasher unit	<b>26/961-2</b> (AL.14008, AL.25646, AL.32891, AL.27855)

Las referencias originales tienen un propósito identificativo.  
Nuestras piezas no son originales.

Part numbers are quoted for reference purposes only.  
Our parts and accessories are not original.



**ARTÍCULOS DIVERSOS**  
**MISCELLANEOUS ITEMS**

**CABLES PARADA**  
**STOP CABLES**



- 26/107-6** L. : 920mm  
 (AL.36919, AL.24784, AL.36924, RE.10596) 840, 940, 1040, 1140, 1640, 2030, 2040, 2040S, 2130, 2140, 3030, 3120, 3130
- 26/107-2** L. : 1680mm  
 (Ex : JD.9331K) Juego cables y adaptadores  
 Sustituye otras aplicaciones  
*Kit cable and adaptors*  
*Replaces further applications*
- 26/107-7** L. : 1280mm  
 (AL.58243) 1550, 1750, 1850, 1950, 1950N
- 26/107-8** L. : 1590mm  
 (AL.58240) 2250, 2450, 2650, 2650N, 2850

**CONECTORES ELÉCTRICOS**  
**ELECTRICAL PLUG SOCKET**

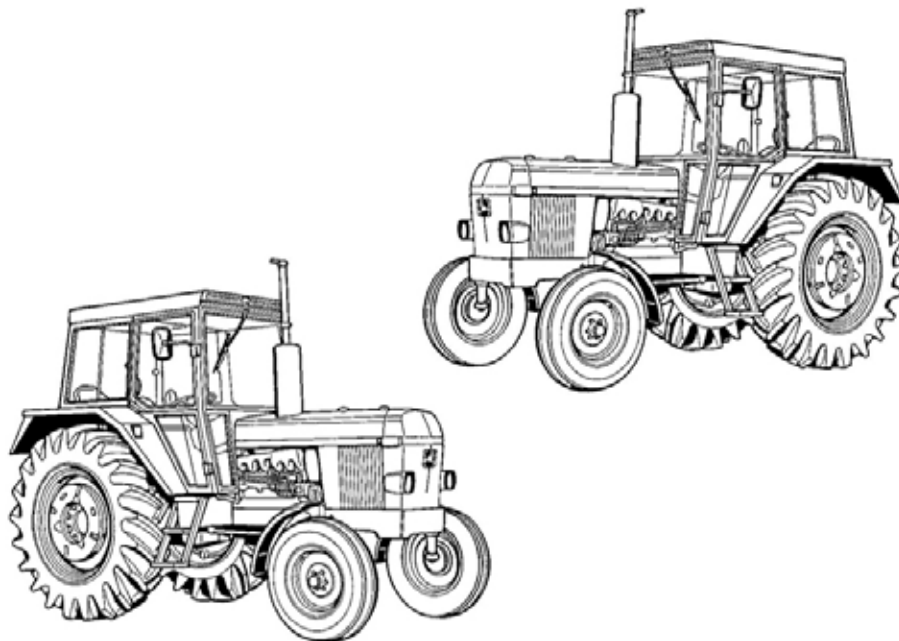
- 26/1971-3** Toma de tres puntos  
 (AL.66414) 3 point socket poles
- 26/1970-3** Conexión del 3 punto  
 (AL.68707) 3 point socket poles

**INTERRUPTOR HIDRÁULICO**  
**HYDR. LIFT SWITCH**

- 26/966-1**   
 (AL.64190) 3050, 3350, 3650

**INTERRUPTOR POLIVALENTE**  
**MULTIPURPOSE SWITCH**

- 26/967-1**   
 (AL.58803) Lado dreho. Cabina SG2  
*Right side cab SG2*
- 1350, 1550, 1640, 1750, 1850, 1950, 2040, 2040S, 2140, 2250, 2450, 2650, 2850, 3040, 3050, 3150, 3350, 3640, 3640S, 3650

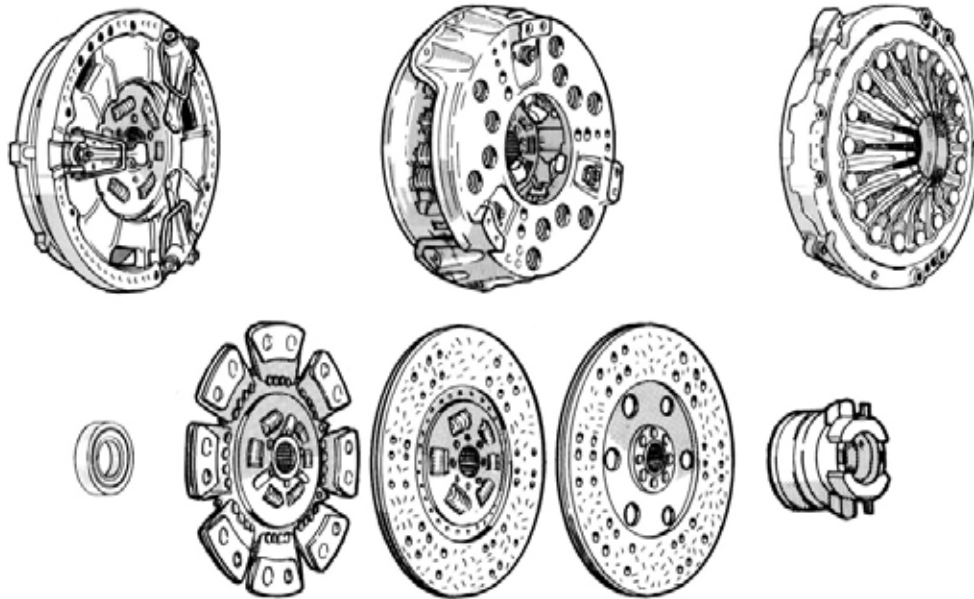


Las referencias originales tienen un propósito identificativo.  
 Nuestras piezas no son originales.

Part numbers are quoted for reference purposes only.  
 Our parts and accessories are not original.



**EMBRAGUES Y DISCOS DE EMBRAGUE**  
**CLUTCH ASSEMBLIES & PLATES**



TRACTORES TRACTORS	EMBRAGUE CLUTCH		DISCO PLATE		RODAMIENTO EMPUJE RELEASE BEARING
	Ø	REF. No.: ORDER N°	Ø	REF. No.: ORDER N°	
T 100, T 200	200	(1882 196 005) <b>26/200-102</b>	200 (A)	(1860 049 026) <b>26/221-102</b> (LN) 10Z 23x29 (AL.17503)	(1859 029 000) <b>26/232-7</b> (AL.11726)
T 300, T 500, T 700	250	(1882 248 104) <b>26/200-103</b> (AL.17471)	250 (A)	(1861 244 101) <b>26/221-103</b> (LN) 10Z 26x32 (AL.13283, AL.16938)	(1859 103 001) <b>26/232-8</b>
T 310, T 510	250/250 3 palancas 3 levers	(1882 206 203) <b>26/200-104</b> (AH) (AL.17456)	250 (A)  ----- 250 (A)	(1861 257 101) <b>26/221-104</b> (LG) 8Z 46x50 (AL.16776, AL.17451)  ----- (1861 250 101) <b>26/212-29</b> (LI) 10Z 23 x 29 (AL.16775, AL.17278)	(3151 023 101) <b>26/232-9</b> (AL.16333)  <b>26/230-6</b> (JD.10107) (RV)
T 710	280/280 3 palancas 3 levers	(1882 207 201) <b>26/200-105</b> (AH) (AL.15970)	280 (A)  ----- 280 (A)	(1864 203 101) <b>26/221-105</b> (LG) 8Z 46x50 (AL.16778)  ----- (1864 028 209) <b>26/212-30</b> (LI) 10Z 23 x 29	(3151 023 101) <b>26/232-9</b> (AL.16333)  <b>26/230-6</b> (JD.10107) (RV)

Las referencias originales tienen un propósito identificativo.  
 Nuestras piezas no son originales.

Part numbers are quoted for reference purposes only.  
 Our parts and accessories are not original.



TRACTORES TRACTORS	EMBRAGUE / CLUTCH		DISCO / PLATE		RODAMIENTO EMPUJE RELEASE BEARING
	Ø	N° / N°	Ø	N° / N°	
820, 830, 840, 920, 940 1020, 1030, 1040, 1120, 1140	225/280 3 palancas 3 levers	(1888 053 101) <b>26/200-32</b> (AL.55140)	225 (A)	(1861 289 502) <b>26/212-10</b> (LK) 23Z 35x38 (AL.19092 AT.21675)	<b>26/231-7</b> (JD.10248) Rodamiento solo Bearing only
			225 (A)	<b>26/212-10E</b> (AL.19092 - E) (LK)(VZ) 23Z 35x38	(3151 080 101) <b>26/232-3</b> Ø Int./ In. 50mm (AT.24699, AL.27231, AL.30777)
			280 (A)	(1861 686 033) <b>26/221-22</b> (LN) 15Z 22,5x26 (AL.33315) Muelles / Springs	o/or
			280 (A)	<b>26/221-21E</b> (LN)(VZ) 15Z 22,5x26 Fijo / Fixed (AL.23511, AL.67525)	<b>26/231-8</b> (JD.10243) Rodamiento solo Bearing only
			280 (B)	(1861 966 001) <b>26/221-23</b> (LN)(E) 15Z 22,5x26 (AL.38892)	(3151 092 101) <b>26/232-4</b> Ø Int./ In. 57mm (7/76 ⇄) (AL.28738, AL.57298)
					<b>26/230-6</b> (JD.10107) (RV)
840, 940, 1040, 1140 (⇄ 1/83) (⇄ NR 495151)	280 3 palancas 3 levers	(1882 284 306) <b>26/200-33</b> Cubo rueda 23Z 23Z Hub (AL.56167)	280 (A)	(1861 686 033) <b>26/221-22</b> (LN) 15Z 22,5x26 Muelles / Springs (AL.33315)	(500 0248 11) <b>26/232-5</b> (AL.28860, AL.37539, AL.39541)
			280 (B)	(1861 966 001) <b>26/221-23</b> (LN)(E) 15Z 22,5x26 (AL.38892)	<b>26/230-6</b> (JD.10107) (RV)
840, 940, 1040, 1140 (2/83 ⇄ ) (NR 495152 ⇄ )	320 Diafragma Diaphragm	(132 0602 11) <b>26/200-36</b> Cubo cueda 23Z 23Z Hub (AL.39592, AL.67046)	280 (A)	(1861 924 102) <b>26/221-25</b> (LN) 15Z 22,5x26 (AL.64338, AL.39123)	(500 0248 11) <b>26/232-5</b> (AL.28860, AL.37539, AL.39541)
					<b>26/230-6</b> (JD.10107) (RV)
1020, 1120, 1030, 1130	280 3 palancas 3 levers	(1882 284 306) <b>26/200-33</b> Cubo rueda 23Z 23Z Hub (AL.56167)	280 (A)	<b>26/221-21E</b> (LN)(VZ) 15Z 22,5x26 Fijo / Fixed (AL.23511, AL.67525)	<b>26/231-7</b> (JD.10248) Rodamiento solo Bearing only
			280 (A)	(1861 686 033) <b>26/221-22</b> (LN) 15Z 22,5x26 Muelles / Springs (AL.33315)	(3151 080 101) <b>26/232-3</b> Ø Int./ In. 50mm (AT.24699, AL.27231, AL.30777)
			280 (B)	(1861 966 001) <b>26/221-23</b> (LN)(E) 15Z 22,5x26 (AL.38892)	<b>26/230-6</b> (JD.10107) (RV)

Las referencias originales tienen un propósito identificativo.  
Nuestras piezas no son originales.

Part numbers are quoted for reference purposes only.  
Our parts and accessories are not original.



"THE RELIABLE SERVICE"



TRACTORES TRACTORS	EMBRAGUE / CLUTCH		DISCO / PLATE		RODAMIENTO EMPUJE RELEASE BEARING
	Ø	Nº / N°	Ø	Nº / N°	
1350, 1550, 1630, 1640, 1750, 1830, 1840, 1850, 1950N	225/280 3 palancas 3 levers	(1888 053 101) <b>26/200-32</b> (AL.55140)	225 (A)  225 (A) ----- 280 (A)  280 (A)	(1861 289 502) <b>26/212-10</b> (LK) 23Z 35x38 (AL.19092, AT.21675)  <b>26/212-10E</b> (AL.19092 - E) (LK)(VZ) 23Z 35x38 ----- (1861 686 033) <b>26/221-22</b> (LN) 15Z 22,5x26 Muelles / Springs (AL.33315)  <b>26/221-21</b> (LN)(VZ) 15Z 22,5x26 Fijo / Fixed (AL.23511, AL.67525)	<b>26/231-8</b> (JD.10243) Rodamiento solo Bearing only  (3151 092 101) <b>26/232-4</b> (AL.28738, AL.57298)  <b>26/230-6</b> (JD.10107) (RV)
1350, 1550, 1750, 1850N, 1950N	320 Diafragma Diaphragm	(132 0602 11) <b>26/200-36</b> Cubo rueda 23Z 23Z Hub (AL.39592, AL.67046)	280 (A)	(1861 924 102) <b>26/221-25</b> (LN) 15Z 22,5x26 (AL.64338, AL.39123)	(500 0248 11) <b>26/232-5</b> (AL.28860, AL.37539, AL.39541)  <b>26/230-6</b> (JD.10107) (RV)
1530	225/280 3 palancas 3 levers	(1888 053 101) <b>26/200-32</b> (AL.55140)	225 (A)  225 (A) ----- 280 (A)  280 (A)	(1861 289 502) <b>26/212-10</b> (LK) 23Z 35x38 (AL.19092, AT.21675)  <b>26/212-10E</b> (AL.19092 - E) (LK)(VZ) 23Z 35x38 ----- (1861 686 033) <b>26/221-22</b> (LN) 15Z 22,5x26 Muelles / Springs (AL.33315)  <b>26/221-21E</b> (LN)(VZ) 15Z 22,5x26 Fijo / Fixed (AL.23511, AL.67525)	<b>26/231-7</b> (JD.10248) Rodamiento solo Bearing only  (3151 080 101) <b>26/232-3</b> Ø Int./ In. 50mm (AT.24699, AL.27231, AL.30777)  <b>26/230-6</b> (JD.10107) (RV)
1530, 1630, 1830, 2020, 2030, 2120, 2130	280 3 palancas 3 levers	(1882 284 306) <b>26/200-33</b> Cubo rueda 23Z 23Z Hub (AL.56167)	280 (A)  280 (A)  280 (A)	<b>26/221-21E</b> (LN)(VZ) 15Z 22,5x26 Fijo / Fixed (AL.23511, AL.67525)  (1861 686 033) <b>26/221-22</b> (LN) 15Z 22,5x26 Muelles / Springs (AL.33315)  (1861 928 102) <b>26/221-24</b> (LN) 15Z 22,5x26 Muelles reforzados Springs (Heavy duty) (AL.66183)	<b>26/231-7</b> (JD.10248) Rodamiento solo Bearing only  (3151 080 101) <b>26/232-3</b> Ø Int./ In. 50mm (AT.24699, AL.27231, AL.30777)  <b>26/230-6</b> (JD.10107) (RV)

Las referencias originales tienen un propósito identificativo.  
 Nuestras piezas no son originales.

Part numbers are quoted for reference purposes only.  
 Our parts and accessories are not original.



**"THE RELIABLE SERVICE"**





TRACTORES TRACTORS	EMBRAGUE / CLUTCH		DISCO / PLATE		RODAMIENTO EMPUJE RELEASE BEARING
	Ø	Nº / N°	Ø	Nº / N°	
1640, 1840, 2040, 2240 (↔ 8/82)	280 3 palancas 3 levers	(1882 284 306) <b>26/200-33</b> Cubo rueda 23Z 23Z Hub (AL.56167)	280 (A)	(1861 686 033) <b>26/221-22</b> (LN) 15Z 22,5x26 Muelles / Springs (AL.33315)	(500 0248 11) <b>26/232-5</b> (AL.28860, AL.37539, AL.39541)  <b>26/230-6</b> (JD.10107) (RV)
1640, 1840, 2040, 2240 (9/82 ↔)	320 Diafragma Diaphragm	(132 0602 11) <b>26/200-36</b> Cubo rueda 23Z 23Z Hub (AL.39592, AL.67046)	320 (A)	(1862 140 003) <b>26/221-31</b> (LN) 15Z 22,5x26 (AL.64340)	(500 0248 11) <b>26/232-5</b> (AL.28860, AL.37539, AL.39541)  <b>26/230-6</b> (JD.10107) (RV)
			320 (B)	(1861 914 002) <b>26/221-32</b> (LN) 15Z 22,5x26 (AL.67974)	
2020, 2120	225/280 3 palancas 3 levers	(1888 053 101) <b>26/200-32</b> (AL.55140)	225 (A)	(1861 289 502) <b>26/212-10</b> (LK) 23Z 35x38 (AL.19092, AT.21675)	<b>26/231-7</b> (JD.10248) Rodamiento solo Bearing only  (3151 080 101) <b>26/232-3</b> Ø Int./ In. 50mm (AT.24699, AL.27231, AL.30777)  <b>26/230-6</b> (JD.10107) (RV)
			225 (A)	<b>26/212-10E</b> (AL.19092 - E) (LK)(VZ) 23Z 35x38	
			280 (A)	<b>26/221-21E</b> (LN)(VZ) 15Z 22,5x26 Fijo / Fixed (AL.23511, AL.67525)	
			280 (A)	(1861 686 033) <b>26/221-22</b> (LN) 15Z 22,5x26 Muelles / Springs (AL.33315)	
			280 (A)	(1861 928 102) <b>26/221-24</b> (LN) 15Z 22,5x26 Muelles reforzados Springs (Heavy duty) (AL.66183)	
			280 (B)	(1861 966 001) <b>26/221-23</b> (LN)(E) 15Z 22,5x26 (AL.38892)	

Las referencias originales tienen un propósito identificativo.  
 Nuestras piezas no son originales.

Part numbers are quoted for reference purposes only.  
 Our parts and accessories are not original.



**"THE RELIABLE SERVICE"**



TRACTORES TRACTORS	EMBRAGUE / CLUTCH		DISCO / PLATE		RODAMIENTO EMPUJE RELEASE BEARING
	Ø	Nº / N°	Ø	Nº / N°	
2040, 2240	225/280 3 palancas 3 levers	(1888 053 101) <b>26/200-32</b> (AL.55140)	225 (A)	(1861 289 502) <b>26/212-10</b> (LK) 23Z 35x38 (AL.19092, AT.21675)	<b>26/231-8</b> (JD.10243) Rodamiento solo Bearing only  (3151 092 101) <b>26/232-4</b> (AL.28738, AL.57298)  <b>26/230-6</b> (JD.10107) (RV)
			225 (A)	<b>26/212-10E</b> (AL.19092 - E) (LK)(VZ) 23Z 35x38	
			280 (A)	<b>26/221-21E</b> (LN)(VZ) 15Z 22,5x26 Fijo / Fixed (AL.23511, AL.67525)	
			280 (A)	(1861 686 033) <b>26/221-22</b> (LN) 15Z 22,5x26 Muelles / Springs (AL.33315)	
			280 (A)	(1861 928 102) <b>26/221-24</b> (LN) 15Z 22,5x26 Muelles reforzados Springs (Heavy duty) (AL.66183)	
2040S, 2140 (↔ 416039) 2940, 3040, 3140 (↔ 415943)	320 Diafragma Diaphragm	(3482 039 101) <b>26/200-37</b> Cubo rueda 27Z 27Z Hub (AL.33127)	320 (A)	(1862 140 005) <b>26/221-33</b> (LN) 10Z 26x32 (AL.33126)	(500 0248 11) <b>26/232-5</b> (AL.28860, AL.37539, AL.39541)  <b>26/230-6</b> (JD.10107) (RV)
			320 (B)	(332 0002 10) <b>26/221-34</b> (LN)(C) 10Z 26x32 (AL.64759)	
2040S, 2140 (416040 ↔ ), 3040, 3140 (415944 ↔ )	330 Diafragma Diaphragm	(133 0602 10) <b>26/200-38</b> Cubo rueda 27Z 27Z Hub (AL.68485)  (633 1129 09) <b>26/200-200K</b> Juego con disco Kit with plate (333 0042 11) (AL.64948)	327 (A)	(333 0042 12) <b>26/221-177</b> (LN) 10Z 26x32 (AL.69935)	(500 0248 11) <b>26/232-5</b> (AL.28860, AL.37539, AL.39541) (↔ 1985 )  (3182 001 001) <b>26/232-10</b> (AL.39242) Control hidráulico Hydraulic drive ( 1986 ↔ )  <b>26/230-6</b> (JD.10107) (RV)
			327 (B)	(333 0042 11) <b>26/221-107</b> (LN)(D) 10Z 26x32 (AL.68022, AL.70272)	

Las referencias originales tienen un propósito identificativo.  
 Nuestras piezas no son originales.

Part numbers are quoted for reference purposes only.  
 Our parts and accessories are not original.



**"THE RELIABLE SERVICE"**



TRACTORES TRACTORS	EMBRAGUE / CLUTCH		DISCO / PLATE		RODAMIENTO EMPUJE RELEASE BEARING
	Ø	Nº / N°	Ø	Nº / N°	
2130 sin HI - LO / with HI - LO	300 3 palancas 3 levers	(1882 271 501) <b>26/200-35</b> Cubo rueda 27Z 27Z Hub (AL.28039)	300 (A)	(1864 313 201) <b>26/221-28</b> (LN) 10Z 26x32 Fijol Fixed (AL.30452)	<b>26/231-7</b> (JD.10248) Rodamiento solo Bearing only  (3151 080 101) <b>26/232-3</b> Ø Int./ In. 50mm (AT.24699, AL.27231, AL.30777)
			300 (A)	<b>26/221-28E</b> (AL.30452 - E) (LN)(VZ) 10Z 26x32 Fijo / Fixed	
			300 (A)	(1861 886 102) <b>26/221-29</b> (LN) 10Z 26x32 Muelles / Springs (AL.37706)	
			300 (B)	(1864 338 001) <b>26/221-30</b> (LN) 10Z 26x32 Fijo / Fixed (AL.26466)	
2130 sin HI - LO / less HI - LO	300 3 palancas 3 levers	(1882 271 403) <b>26/200-34</b> Cubo rueda 23Z 23Z Hub (AL.23095)	300 (A)	(1864 314 202) <b>26/221-26</b> (LN) 15Z 22,5x26 Fijol Fixed (AL.30451)	<b>26/231-7</b> (JD.10248) Rodamiento solo Bearing only  (3151 080 101) <b>26/232-3</b> Ø Int./ In. 50mm (AT.24699, AL.27231, AL.30777)
			300 (A)	(1861 886 101) <b>26/221-27</b> (LN) 15Z 22,5x26 Muelles / Springs (AL.37705)	
2250, 2450	225/280 3 palancas 3 levers	(1888 053 101) <b>26/200-32</b> (AL.55140)	225 (A)	(1861 289 502) <b>26/212-10</b> (LK) 23Z 35x38 (AL.19092, AT.21675)	(500 0248 11) <b>26/232-5</b> (AL.28860, AL.37539, AL.39541)
			225 (A)	<b>26/212-10E</b> (AL.19092 - E) (LK)(VZ) 23Z 35x38	
			280 (A)	<b>26/221-21E</b> (LN)(VZ) 15Z 22,5x26 Fijo / Fixed (AL.23511, AL.67525)	
			280 (A)	(1861 686 033) <b>26/221-22</b> (LN) 15Z 22,5x26 Muelles / Springs (AL.33315)	
			280 (A)	(1861 928 102) <b>26/221-24</b> (LN) 15Z 22,5x26 Muelles reforzados Springs (Heavy duty) (AL.66183)	

Las referencias originales tienen un propósito identificativo.  
 Nuestras piezas no son originales.

Part numbers are quoted for reference purposes only.  
 Our parts and accessories are not original.



**"THE RELIABLE SERVICE"**



TRACTORES TRACTORS	EMBRAGUE / CLUTCH		DISCO / PLATE		RODAMIENTO EMPUJE
	Ø	Nº / N°	Ø	Nº / N°	RELEASE BEARING
2250, 2450, 2650 2250 SG2, 2450 SG2	320 Diafragma <i>Diaphragm</i>	(132 0602 11) <b>26/200-36</b> Cubo rueda 23Z <i>23Z Hub</i> (AL.39592, AL.67046)	320 (A)	(1862 140 003) <b>26/221-31</b> (LN) 15Z 22,5x26 Muelles / <i>Springs</i> (AL.64340)	(500 0248 11) <b>26/232-5</b> (AL.28860, AL.37539, AL.39541)  <i>o/or</i>  (3182 001 001) <b>26/232-10</b> (↻ 649118 ) (AL.39242) Control hidráulico <i>Hydraulic drive</i> (3 tuberías / <i>3 pipes</i> )  (3182 001 003) <b>26/232-11</b> (649119 ↻ ) (AL.66088) Control hidráulico <i>Hydraulic drive</i> (2 tuberías / <i>2 pipes</i> )  <b>26/230-6</b> (JD.10107) (RV)
2650N (25 km/H)	320 Diafragma <i>Diaphragm</i>	(132 0602 11) <b>26/200-36</b> Cubo rueda 23Z <i>23Z Hub</i> (AL.39592, AL.67046)	320 (A)	(1862 140 003) <b>26/221-31</b> (LN) 15Z 22,5x26 (AL.64340)	(500 0248 11) <b>26/232-5</b> (AL.28860, AL.37539, AL.39541)  <b>26/230-6</b> (JD.10107) (RV)
2650N (40 km/H), 2850N, 3050N, 3350, 3640	330 Diafragma <i>Diaphragm</i>	(133 0602 10) <b>26/200-38</b> Cubo rueda 27Z <i>27Z Hub</i> (AL.68485)  (633 1129 09) <b>26/200-200K</b> Juego con disco <i>Kit met plate</i> (333 0042 11) (AL.64948)	327 (A)   327 (B)	(333 0042 12) <b>26/221-177</b> (LN) 10Z 26x32 (AL.69935)  (333 0042 11) <b>26/221-107</b> (LN)(D) 10Z 26x32 (AL.68022, AL.70272)	(500 0248 11) <b>26/232-5</b> (AL.28860, AL.37539, AL.39541)  <b>26/230-6</b> (JD.10107) (RV)
2650 SG2, 2850 SG2, 3050 SG2, 3350 SG2, 3640 SG2	330 Diafragma <i>Diaphragm</i>	(133 0602 10) <b>26/200-38</b> Cubo rueda 27Z <i>27Z Hub</i> (AL.68485)  (633 1129 09) <b>26/200-200K</b> Juego con disco <i>Kit with plate</i> (333 0042 11) (AL.64948)	327 (A)   327 (B)	(333 0042 12) <b>26/221-177</b> (LN) 10Z 26x32 (AL.69935)  (333 0042 11) <b>26/221-107</b> (LN)(D) 10Z 26x32 (AL.68022, AL.70272)	(3182 001 001) <b>26/232-10</b> (↻ 649118 ) (AL.39242) Control hidráulico <i>Hyd.drive</i> (3 tuberías / <i>3 pipes</i> )  (3182 001 003) <b>26/232-11</b> (649119 ↻ ) (AL.66088) Control hidráulico <i>Hyd.drive</i> (2 tuberías / <i>2 pipes</i> )  <b>26/230-6</b> (JD.10107) (RV)

Las referencias originales tienen un propósito identificativo.  
 Nuestras piezas no son originales.

Part numbers are quoted for reference purposes only.  
 Our parts and accessories are not original.



**"THE RELIABLE SERVICE"**



TRACTORES TRACTORS	EMBRAGUE / CLUTCH		DISCO / PLATE		RODAMIENTO EMPUJE
	Ø	Nº / N°	Ø	Nº / N°	RELEASE BEARING
3030, 3120, 3130	300 3 palancas 3 levers	(1882 271 501) <b>26/200-35</b> Cubo rueda 27Z 27Z Hub (AL.28039)	300 (A)	(1864 313 201) <b>26/221-28</b> (LN) 10Z 26x32 Fijo / Fixed (AL.30452)	<b>26/231-7</b> (JD.10248) Rodamiento solo Bearing only  (3151 080 101) <b>26/232-3</b> Ø Int./ In. 50mm (AT.24699, AL.27231, AL.30777)
			300 (A)	<b>26/221-28E</b> (AL.30452 - E) (LN)(VZ) 10Z 26x32 Fijo / Fixed	<b>26/230-6</b> (JD.10107) (RV)
			300 (A)	(1861 886 102) <b>26/221-29</b> (LN) 10Z 26x32 Muelles / Springs (AL.37706)	
			300 (B)	(1864 338 001) <b>26/221-30</b> (LN) 10Z 26x32 Fijo / Fixed (AL.26466)	
3650 SG2	330 Diafragma Diaphragm	(133 0603 10) <b>26/200-1137</b> Cubo rueda 27Z 27Z Hub (AL.68486)	327 (B)	(333 0044 11) <b>26/221-108</b> (LN)(D) 10Z 26x32 (AL.70273)	(3182 001 001) <b>26/232-10</b> (↔ 649118 ) (AL.39242) Control hidráulico Hydraulic drive (3 tuberías / 3 pipes)  (3182 001 003) <b>26/232-11</b> (649119 ↔ ) (AL.66088) Control hidráulico Hydraulic drive (2 tuberías / 3 pipes)
					<b>26/230-6</b> (JD.10107) (RV)

- (Z) Dientes  
(A) Revestimiento orgánico sin amianto  
(B) Revestimiento ceramético  
(C) Con 7 pares de palas  
(D) Con 6 pares de palas  
(E) Con 8 pares de palas  
(VZ) Versión económica  
(RV) Cojinete  
(AH) Embrague con dos discos integrados  
(LG) Disco principal, transmisión lateral, montada  
(LH) Disco principal, motor lateral, montada  
(LI) Disco TdF, motor lateral, montada  
(LK) Disco TdF, transmisión lateral, montada  
(LM) Disco TdF, motor lateral, suelta  
(LN) Disco principal, motor lateral, suelta

- (Z) Teeth  
(A) Organic lining asbestos free  
(B) Cera metallic lining  
(C) 7 pairs of pads  
(D) 6 pairs of pads  
(E) 8 pairs of pads  
(VZ) Economy version  
(RV) Pilot bearing  
(AH) Both driven plates built in  
(LG) Main disc, transmission side, mounted  
(LH) Main disc, engine side, mounted  
(LI) PTO disc, engine side, mounted  
(LK) PTO disc, transmission side, mounted  
(LM) PTO disc, engine side, loose  
(LN) Main disc, engine side, loose

**26/200-200K** : Juego de embrague Ø 330mm con disco ceramético + instrucciones de montaje (para equipamiento, para colocar el volante de motor 840, 940, 1040, 1140, 1350, 1550, 1750, 1640, 1840, 1850/N, 1950/N, 2040, 2040S, 2140, 2240, 2250, 2450, 2650/N3040, 3140)

**26/200-200K** : Clutch kit Ø 330mm with ceramic plate + fitment note (to bore the flywheel for tractors 840, 940, 1040, 1140, 1350, 1550, 1750, 1640, 1840, 1850/N, 1950/N, 2040, 2040S, 2140, 2240, 2250, 2450, 2650/N3040, 3140)

Las referencias originales tienen un propósito identificativo.  
Nuestras piezas no son originales.

Part numbers are quoted for reference purposes only.  
Our parts and accessories are not original.



## EMBRAGUE (RESPUESTOS) CLUTCHES (SPARE PARTS)

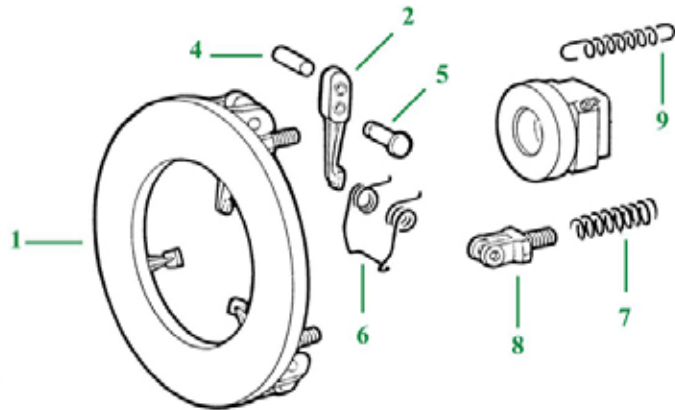
### Embrague simple F-S / Single clutch F-S

Ø 300mm

(AL.23095/1882.271.403, AL.28039/1882.271.501)

2130, 2130 Hi-Lo, 3120, 3030, 3130

- |    |                 |                        |   |                  |
|----|-----------------|------------------------|---|------------------|
| 1. | <b>26/218-3</b> | (AL.18903)             | - | Plato / Plate    |
| 2. | <b>26/202-4</b> | (L.38063,<br>AL.18905) | - | Palanca / Lever  |
| 4. | <b>26/206-4</b> | (L.26762)              | - | Pasador / Pin    |
| 5. | <b>26/204-4</b> | (L.26764)              | - | Pasador / Pin    |
| 6. | <b>26/203-4</b> | (L.26759)              | - | Muelle / Spring  |
| 7. | <b>26/215-6</b> | (L.29230)              | - | Muelle / Spring  |
| 8. | <b>26/219-4</b> | (L.26763)              | - | Horquilla / Fork |
| 9. | <b>26/233-4</b> | (T.21450)              | - | Muelle / Spring  |



### Embrague simple F-S / Single clutch F-S

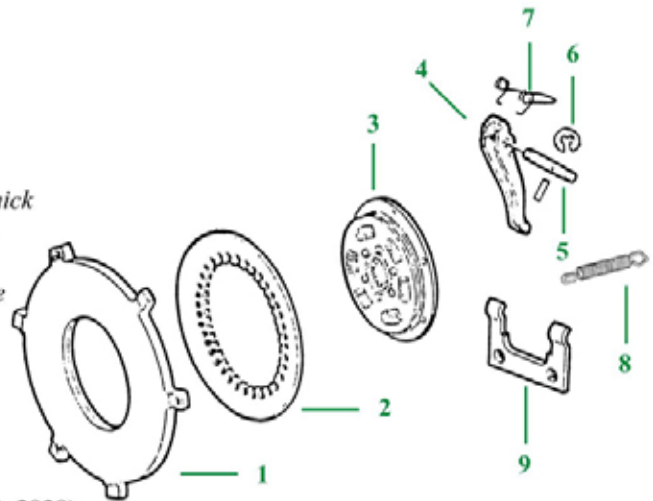
Ø 280mm

(1882.284.101/206 - 1882.284.306, AL.19084, AL.39618)

840, 940, 1020, 1030, 1040, 1120, 1130, 1140, 1530, 1630,

1640, 1830, 1840, 2020, 2030, 2040, 2130, 2240

- |    |                  |                         |   |  |
|----|------------------|-------------------------|---|--|
| 1. | <b>26/217-11</b> | (L.27182,<br>L.39950)   | - | Plato / Plate<br>Grosor 25mm / 25mm thick            |
| 2. | <b>26/210-12</b> | (L.29246,<br>L.39302)   | - | Diafragma / Diaphragm                                |
| 3. | <b>26/212-31</b> | (AL.32964,<br>AL.19085) | - | Plato rígido / Rigid plate<br>(23 estrías / 23 spl.) |
| 4. | <b>26/202-3</b>  | (T.28221)               | - | Palanca / Lever                                      |
| 5. | <b>26/206-3</b>  | (T.28222)               | - | Pasador / Pin  |
| 6. | <b>26/207-3</b>  | (T.28231)               | - | Cierre / Fastener                                    |
| 7. | <b>26/203-3</b>  | (T.28230)               | - | Muelle / Spring                                      |
| 8. | <b>26/233-4</b>  | (T.21450)               | - | Muelle / Spring<br>(1030, 1130, 1630, 1830, 2030)    |
| 9. | <b>26/237-2</b>  | (L.32029)               | - | Horquilla / Fork                                     |



### Embrague doble / Dual-stage clutch F-S

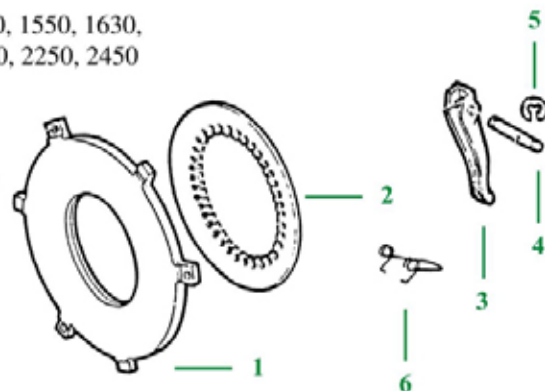
Ø 280mm

(1882.053.101, AL.18714)

820, 830, 840, 920, 940, 1020, 1040, 1120, 1130, 1140, 1350, 1530, 1550, 1630,

1640, 1750, 1830, 1840, 1850, 1950, 2020, 2030, 2040, 2120, 2240, 2250, 2450

- |    |                  |                       |   |   |
|----|------------------|-----------------------|---|---|
| 1. | <b>26/217-12</b> | (T.29647)             | - | Plato / Plate<br>Grosor 15mm / 15mm thick |
| 2. | <b>26/210-12</b> | (L.29246,<br>L.25750) | - | Diafragma / Diaphragm                     |
| 3. | <b>26/202-3</b>  | (T.28221)             | - | Palanca / Lever                           |
| 4. | <b>26/206-3</b>  | (T.28222)             | - | Pasador / Pin                             |
| 5. | <b>26/207-3</b>  | (T.28231)             | - | Cierre / Fastener                         |
| 6. | <b>26/203-3</b>  | (T.28230)             | - | Muelle / Spring                           |



Las referencias originales tienen un propósito identificativo.  
 Nuestras piezas no son originales.

Part numbers are quoted for reference purposes only.  
 Our parts and accessories are not original.



**PEDAL DE EMBRAGUE (PIEZAS)**  
**CLUTCH PEDAL (SPARE PARTS)**

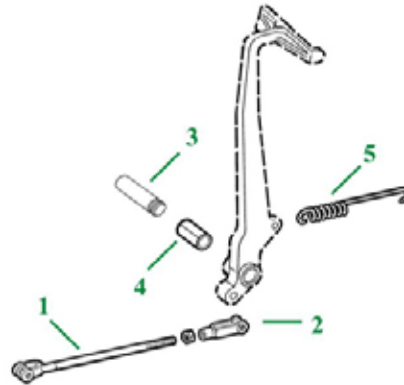
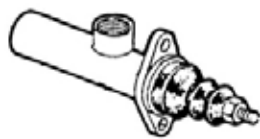


Fig.	1	2	3	4	5
Tractores Tractors	Rótula Rod	Yugo Yoke	Eje Shaft	Buje Bushing	Muelle Spring
820, 830, 840, 920, 930, 940, 1020, 1030, 1040, 1120, 1130, 1140, 1630, 1640, 1830, 1840, 2020, 2030, 2040, 2040S, 2120, 2130, 3030, 3120	<b>26/239-1</b> (AT.22926) Lg. : 240mm	<b>26/238-1</b> (L.324T)	<b>26/235-2</b> (T.21448)	<b>26/234-2</b> (T.21998)	<b>26/233-2</b> (T.21452) Lg. : 263mm
2030, 2130, 3030, 3120, 3130	<b>26/239-2</b> (AT.26771) Lg. : 252mm				
1350, 1550, 1750, 1850, 1950, 2140, 2250, 2450, 2650, 2850, 3040, 3050, 3140, 3350	<b>26/239-1</b> (AT.22926) Lg. : 240mm			<b>26/233-2</b> (T.21452) Lg. : 263mm	
4240, 4440					
1640, 2030, 2040, 2040S, 2130, 2140, 3030, 3040, 3050, 3120, 3130, 3140, 3350 Con cabina SG2 / With cab SG2					<b>26/233-3</b> (T.28801) Lg. : 101mm

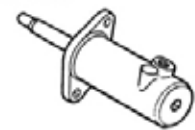
**CILINDRO PRICIPAL (EMBRAGUE)**  
**MASTER CYLINDER (CLUTCH)**



- 26/226-1** 1640, 2040, 2040S, 2140, 3040, 3140  
(AL.34743) Con cabina SG2 / With SG2 cab
- 26/227-1** Juego de reparación / Repair kit  
(AL.37517)
- 26/226-2** 3640, 3640S  
(AL.40974)
- 26/226-3** 2250, 2450, 2650, 2850, 3050, 3350, 3650  
(AL.66918)
- 26/227-3** Juego de reparación / Repair kit  
(AL.67034)

**CILINDRO RECEPTOR (EMBRAGUE)**  
**SLAVE CYLINDER (CLUTCH)**

- 26/228-1** 1640, 2040, 2040S, 2140, 3040, 3140  
(AL.34744) Con cabina SG2 / With SG2 cab
- 26/229-1** Juego de reparación  
(AL.37520) Repair kit



**JUNTA CARTER (EMBRAGUE)**  
**HOUSING GASKET (CLUTCH)**

- 26/331-2**  
(T.21968, R.99290)

- 820, 830, 930, 1020, 1030, 1120, 1130, 1630, 1830, 2020, 2030, 2120, 2130, 3030, 3120, 3130



Las referencias originales tienen un propósito identificativo.  
 Nuestras piezas no son originales.

Part numbers are quoted for reference purposes only.  
 Our parts and accessories are not original.



## EJES DE EMBRAGUE CLUTCH SHAFTS

SIN "HI-LOW"  
 LESS "HI-LOW"

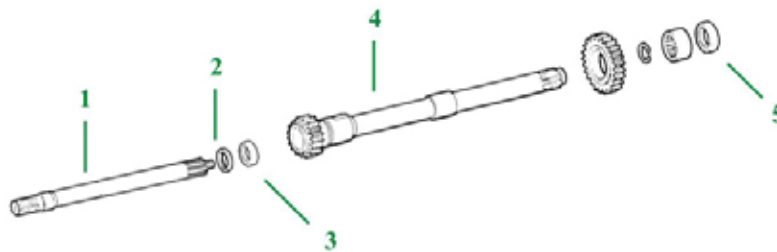


Fig.	1	2	3	4	5
<b>Tractores</b> <i>Tractors</i>	<b>Eje interno</b> <i>Inner shaft</i>	<b>Retén</b> <i>Seal</i>	<b>Guía</b> <i>Guide</i>	<b>Eje principal (A)</b> <i>Main shaft</i>	<b>Retén</b> <i>Seal</i>
820, 830, 840, 920, 930, 940, 1030, 1040, 1120, 1130, 1140, 1350, 1550, 1630, 1750, 1830, 1850, 2020, 2030, 2120	<b>26/258-10</b> (T.30791, R.56514)	<b>26/256-7</b> (AT.21780)	<b>26/247-1</b> (T.23062)	<b>26/255-5</b> (T.22219)	<b>26/250-11</b> (T.22198)
2130				<b>26/255-6</b> (L.28531)	
2040S, 2140, 2250, 2450, 2650, 2850, 3140, 3350, 3640, 3640S, 3650					

(A) Con TdF de 540 RPM / With 540 RPM. PTO

## CAMBIO DE MARCHAS GEAR SHIFT LEVER

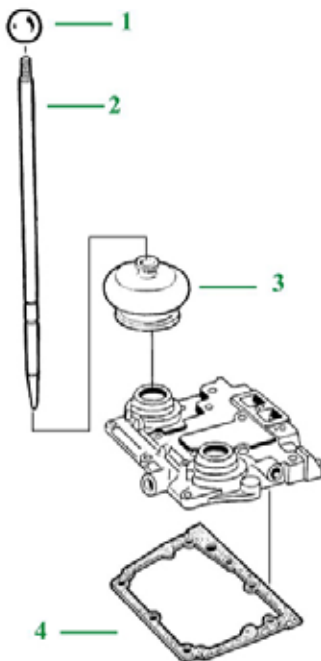


Fig.	1	2	3	4
<b>Tractores</b> <i>Tractors</i>	<b>Bola</b> <i>Ball</i>	<b>Palanca de cambio</b> <i>Gearshift lever</i>	<b>Protector</b> <i>Boot</i>	<b>Junta</b> <i>Gasket</i>
820, 830, 840, 920, 930, 940, 1020, 1030, 1040, 1120, 1130, 1140, 1350, 1550, 1630, 1640, 1750, 1830, 1850, 2020, 2030, 2040, 2040S, 2120, 2130, 2250, 2450, 2650, 2850, 3030, 3050, 3120, 3130, 3350, 3640, 4040, 4040S, 4230, 4240, 4240S, 4350, 4430, 4440	<b>26/552-2</b> (R.50864, AL.58296)			
820, 830, 920, 930, 1020, 1030, 1120, 1130, 1630, 1830, 2020, 2030, 2120		<b>26/554-1</b> (R.53817)	<b>26/551-2</b> (L.31055)	<b>26/550-2</b> (R.54189)
840, 940, 1040, 1140, 1640, 1840, 2040, 2040S, 2130, 2140, 3030, 3040, 3050, 3120, 3130, 3140, 3350				
840, 940, 1040, 1140, 1350, 1550, 1640, 1750, 1850, 1950, 2040, 2130, 2250, 2450, 3030, 3120, 3130				<b>26/550-2</b> (R.54189)

Las referencias originales tienen un propósito identificativo.  
 Nuestras piezas no son originales.

Part numbers are quoted for reference purposes only.  
 Our parts and accessories are not original.





**EMBRAGUE HI-LO Y BOMBA DE TRANSMISIÓN**  
**"HI-LO" CLUTCH - OIL PUMP TRANSMISSION**

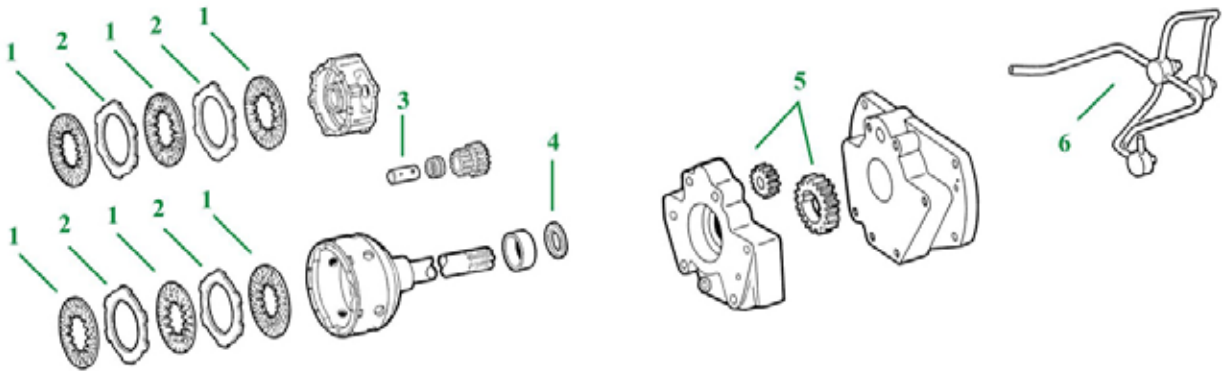
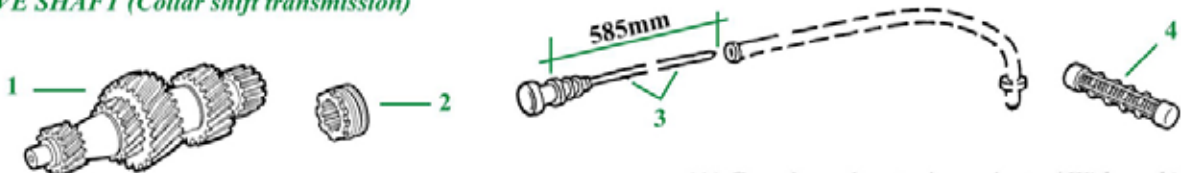


Fig.	1	2	3	4	5	6
Tractores Tractors	Disco Disc		Eje Pin	Retén Seal	Juego de engranajes Gear set	Tubería de aceite Oil pipe
830, 1020, 1030, 1120, 1130, 1630, 1830, 2020, 2030, 2120, 2130	26/317-12 (AR.39128) Grosor : 1,5mm Thickness : 1,5mm	26/316-9 (R.39259)	26/307-1 (R.52382)	26/250-11 (T.22198)	26/6239-1K (AR.39164)	26/6090-1 (AL.24496, AL.28232, AL.23125)
840, 940, 1040, 1140						
1350, 1550, 1750, 1850						
1640, 1840, 1950, 2040, 2250, 2450, 2650						
3030, 3120, 3130						

**TRANSMISIÓN**  
**TRANSMISSION**

**EJE MANDO AUXILIAR**  
**DRIVE SHAFT (Collar shift transmission)**



(A) Con cierre de estacionamiento / With parking lock

Fig.	1	2	3	4
Tractores Tractors	Eje mando auxiliar Drive shaft	Casquillo Collar	Varilla Dipstick	Filtro Strainer
1020, 1120, 2020, 2120	26/265-16 (T.21980)	26/287-2 (L.28666) (A)	26/86-10 (AL.27108, AL.38634)	26/335-2 (R.53169, AR.26375)
840, 1350, 1550				
940, 1030, 1040, 1130, 1140, 1630, 1640, 1750, 1830, 1840, 1850, 2020, 2030, 2040, 2250, 2450		26/287-2 (L.28666) (A)		
2130, 2140	26/265-17 (L.28662)			
1950, 2650, 2850, 3030, 3040, 3050, 3120, 3130, 3140, 3150, 3340, 3350, 3640, 3650, 4040, 4230, 4240, 4430, 4440				

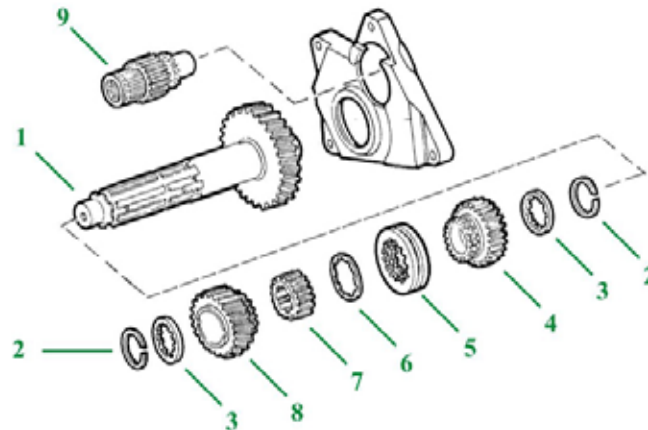
Las referencias originales tienen un propósito identificativo.  
Nuestras piezas no son originales.

Part numbers are quoted for reference purposes only.  
Our parts and accessories are not original.



**TRANSMISIÓN**  
**TRANSMISSION**

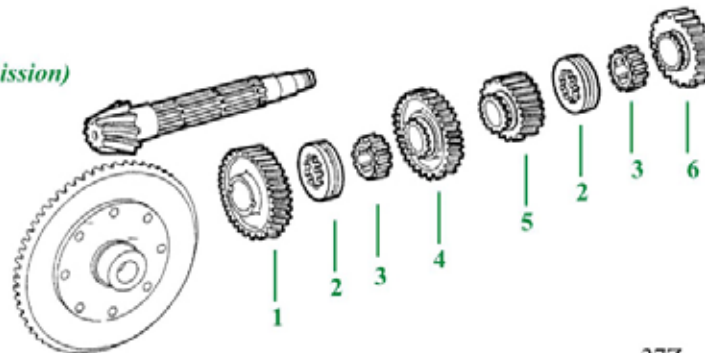
**EJE REENVÍO**  
**COUNTER SHAFT**



37Z = 37 dientes / teeth

Fig.	1	2	3	4	5	6	7	8	9
Tractores Tractors	Eje Shaft	Arandela Snap ring	Arandela Washer	Engranaje Gear	Pestaña Flange	Arandela Washer	Pestaña Gear		Eje Shaft
2130								26/281-3 (L.28661) (22Z)	26/288-6 (L.28660) (13Z)
820, 830, 840, 920, 930, 940, 1020, 1030, 1040, 1120, 1130, 1140, 1350, 1550, 1630, 1640, 1750, 1830, 1850, 2020, 2030, 2040, 2120, 2250, 2450	26/278-8 (T.24726) (37Z)	26/6284-1 (T.19242)	26/6283-1 (T.19245)	26/285-6 (T.21981) (21Z)	26/272-2 (R.50655)	26/6283-2 (T.24730)	26/282-3 (L.29284, T.21964)	26/281-4 (T.30065, T.21978) (22Z)	26/288-7 (T.24728) (12Z)
2040S, 2140									26/288-6 (L.28660) (13Z)
2650									

**EJE PRIMARIO (Transmisión)**  
**PINION SHAFT (Collar shift transmission)**



37Z = 37 dientes / teeth

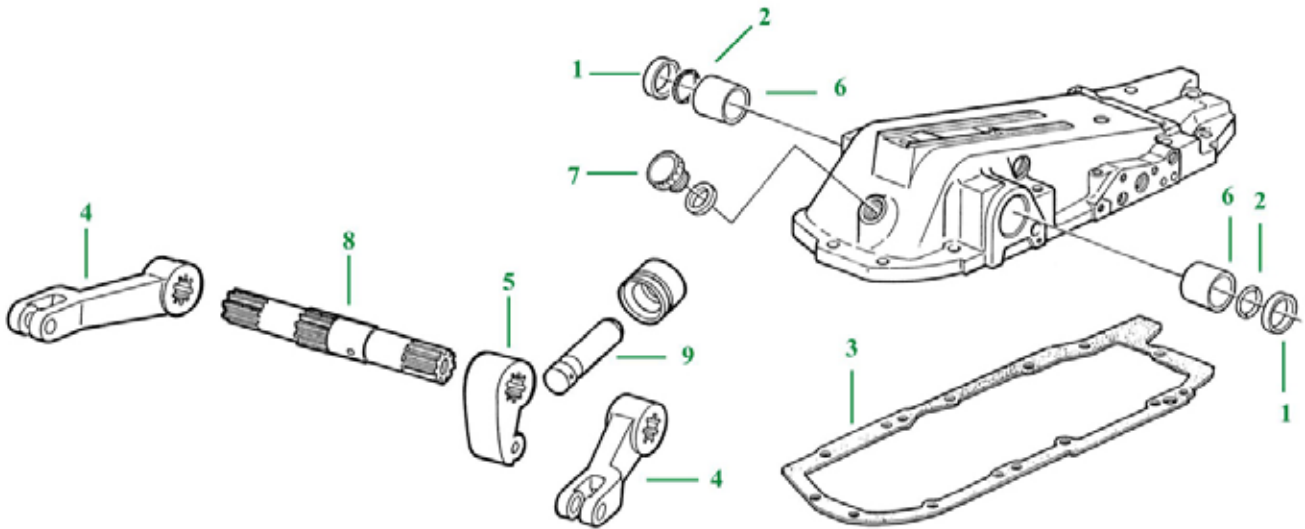
Fig.	1	2	3	4	5	6
Tractores Tractors	1r y 5o. Engranaje Gear 1 <sup>st</sup> & 5 <sup>th</sup>	Casquillo Collar	Engranaje Gear	2o. y 6o. Engranaje Gear 2 <sup>nd</sup> & 6 <sup>th</sup>	4o. y 8o. Engranaje Gear 4 <sup>th</sup> & 8 <sup>th</sup>	3o. y 7o. Engranaje Gear 3 <sup>rd</sup> & 7 <sup>th</sup>
820, 830, 840, 920, 930, 940, 1020, 1030, 1040, 1120, 1130, 1140, 1350, 1550, 1630, 1640, 1750, 1830, 1850, 2020, 2030, 2040, 2120, 2250, 2450	26/262-7 (L.31503, T.21975) (40Z)	26/272-1 (L.29283, T.21970)	26/282-3 (L.29284, T.21964)	26/263-9 (T.21976) (36Z)	26/295-1 (T.21977) (27Z)	26/259-7 (AT.30053, AT.19996) (31Z)
2130, 2140 (↔ 363674), 2650	26/262-8 (L.28663) (40Z)			26/263-10 (L.28664) (36Z)	26/295-2 (L.28665) (27Z)	

Las referencias originales tienen un propósito identificativo.  
Nuestras piezas no son originales.

Part numbers are quoted for reference purposes only.  
Our parts and accessories are not original.



**ELEVADOR HIDRÁULICO**  
**HYDRAULIC LIFT**



Tractores Tractors	Fig. Fig.	Referencia Ref.	Descripción Description
820, 830, 840, 920, 930, 940, 1020, 1030, 1040, 1120, 1130, 1140, 1350, 1550, 1630, 1640, 1750, 1830, 1840, 1850, 1950, 2020, 2030, 2040, 2040S, 2120, 2130, 2140, 2250, 2450, 2650, 2850	1	26/683-2 (T.21615)	Anillo Ring
	2	26/687-4 (T.26904)	Junta torica "O" ring
	3	26/333-3 (T.21641, L.34401, L.41551)	Junta caja (A) Gasket (A)
	4	26/682-9 (T.29931, L.32649)	Brazo elevación Lift arm
	5	26/684-8 (T.21474) (B)	Brazo Arm
3030, 3120, 3130, 3140, 3340	6	26/686-7 (T.22474, L.62405)	Buje 57 x 65,5 x 57 Bushing 57 x 65.5 x 57
		26/686-8 (T.30521, L.41189) RH	Buje 64 x 72 x 57 Bushing 64 x 72 x 57
		26/686-9 (T.30522, L.41188) LH	Buje 68 x 72 x 57 Bushing 68 x 72 x 57
820, 830, 840, 920, 930, 940, 1020, 1030, 1040, 1120, 1130, 1140, 1350, 1550, 1630, 1640, 1750, 1830, 1840, 1850, 1950, 2020, 2030, 2040, 2040S, 2120, 2130, 2140, 2250, 2450, 2650, 2850, 3030, 3040, 3050, 3120, 3140, 3150, 3340, 3350, 3640, 3640S, 3650	7	26/85-8 (AL.38083, T.21563, AL.32620, L.29872)	Tapón filtro Filter cap
820, 830, 840, 920, 930, 940, 1020, 1030, 1040, 1130, 1140, 1630, 1640, 1830, 1840, 2020, 2030, 2040, 2040S, 2120, 2130, 2140	8	26/685-5 (T.26905, L.41932)	Eje Shaft
820, 830, 840, 920, 930, 940, 1020, 1030, 1040, 1130, 1140, 1350, 1550, 1630, 1640, 1750, 1830, 1840, 1950, 2020, 2030, 2040, 2040S, 2120, 2130, 2140, 2250, 2450, 2650, 2850, 3040, 3140, 3150, 3340, 3350, 3640, 3640S, 3650	9	26/689-4 (F.2570R)	Conexión Rod

(A) También para/ Fits also 3040, 3050, 3140, 3150, 3350, 3640, 3650

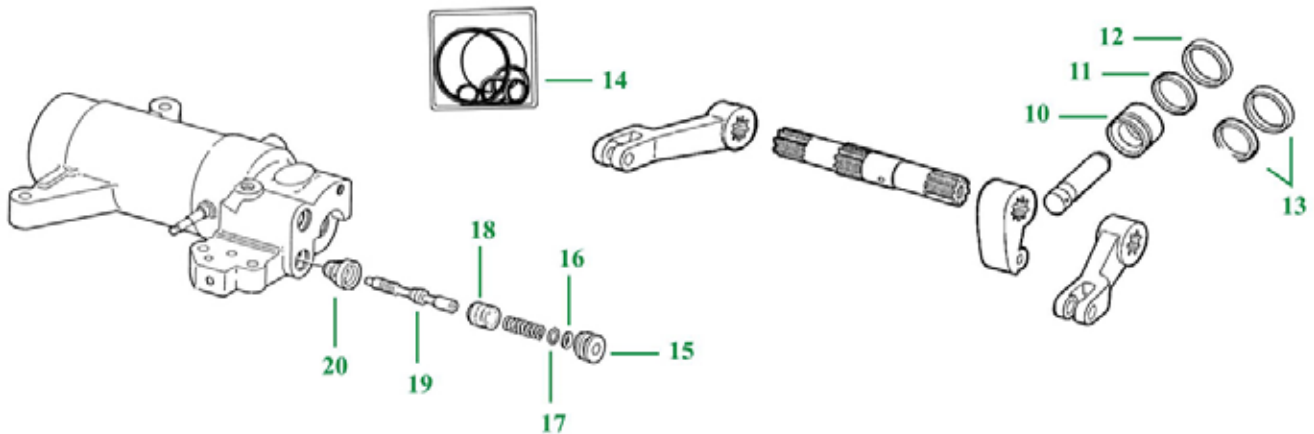
(B) Para pistón 92mm / For 92mm bore piston

Las referencias originales tienen un propósito identificativo.  
Nuestras piezas no son originales.

Part numbers are quoted for reference purposes only.  
Our parts and accessories are not original.



**ELEVADOR HIDRÁULICO**  
**HYDRAULIC LIFT**



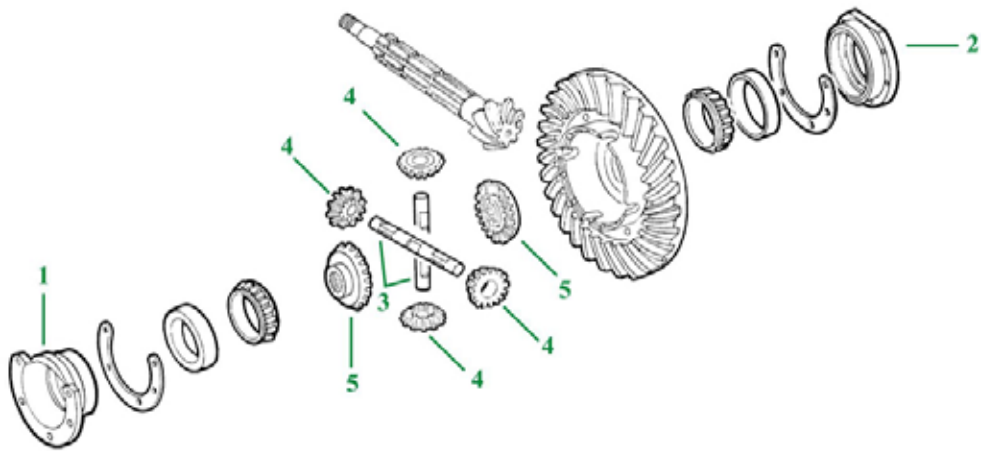
Tractores Tractors	Fig. Fig.	Referencia Ref.	Descripción Description
1630, 1640, 1830, 1840, 2020, 2030, 2040, 2120, 2250, 2450	10	26/691-9 (92mm) (R.47346)	Pistón Piston
310, 510, 710, 830, 930, 1020, 1030, 1120, 1130, 1630	11	26/692-21 (T.21617)	Segmento Back-up ring
	12	26/692-22 (A.4444R)	Junta torica "O" ring
840, 940, 1040, 1140, 1350, 1550, 1750, 1850, 1950, 2450, 2650	13	26/692-23K (AL.33104)	Juego de retenes Seal kit
1640, 1830, 1840, 1950, 2030, 2040, 2130, 2250, 2450		26/692-25K (92mm) (AL.33105)	
3040, 3050, 3120, 3140, 3150, 3340, 3350, 3640, 3640S, 3650		26/692-27K (AL.39167)	
1640, 1830, 1840, 1950, 2030, 2040, 2130, 2250, 2450	14	26/621-7 2 x R.1662R, 1 x R.26149, 1 x R.53543, 1 x T.17882, 1 x AL.33105	Juego de juntas tóricas y retenes para el cilindro hidráulico (Ø 93mm) Sealing kit for lift cylinder (Ø 93mm) & cover
820, 830, 840, 920, 930, 940, 1020, 1030, 1040, 1120, 1130, 1140, 1350, 1550, 1630, 1640, 1750, 1830, 1840, 1850, 1950, 2020, 2030, 2040, 2040S, 2120, 2130, 2140, 2250, 2450, 2650, 2850, 3030, 3040, 3050, 3120, 3140, 3150, 3340, 3350, 3640, 3640S, 3650	15	26/6672-1 (T.24485, L.42314)	Tapón Plug
	16	26/6671-1 (R.31136)	Arandela Back-up washer
	17	26/6673-1 (R.10093)	Junta torica "O" Ring
	18	26/678-1 (T.24540)	Retén de válvula Valve sleeve
	19	26/679-1 (R.54969, T.24484)	Cuerpo de válvula Valve body
	20	26/681-1 (T.28538)	Asiento de válvula Valve seat insert

Las referencias originales tienen un propósito identificativo.  
 Nuestras piezas no son originales.

Part numbers are quoted for reference purposes only.  
 Our parts and accessories are not original.



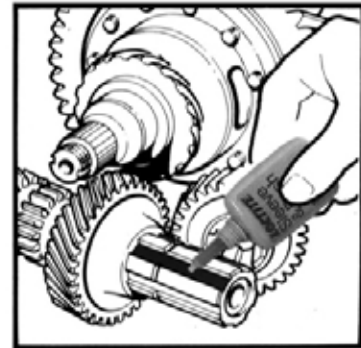
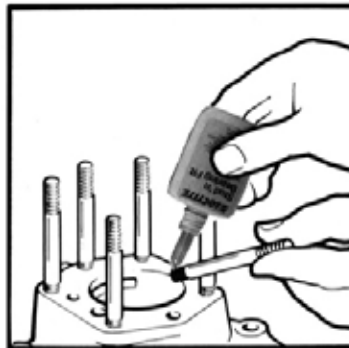
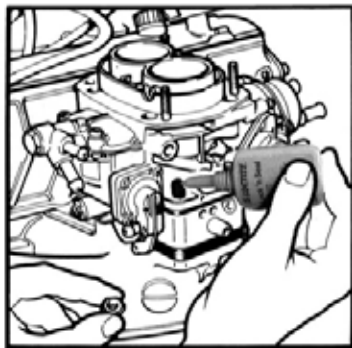
**DIFERENCIAL  
 DIFFERENTIAL**



18Z = 18 dientes / Teeth

Fig.	1	2	3	4	5
<b>Tractores Tractors</b>	<b>Cubo rueda Hub</b>	<b>Eje Shaft</b>	<b>Engranaje Gear</b>		
820, 830, 840, 920, 930, 940, 1020, 1030, 1040, 1120, 1130, 1140, 1350, 1550, 1630, 1640, 1750, 1830, 1840, 1850, 1950, 2020, 2030, 2040, 2120, 2130	<b>26/359-1</b> (T.21433) (Izquierda / LH)	<b>26/359-2</b> (T.21432) (Derecha / RH)	<b>26/351-3</b> (L.29226, CE.14605, T.21875)	<b>26/348-4</b> (L.29227, T.21876) 11Z	<b>26/349-8</b> (T.29394, T.21971) 18Z 23 estrías 23 splines
2250, 2450, 2650, 2850, 3030, 3040, 3050, 3120, 3130, 3140, 3150, 3340, 3350, 3640, 3650					<b>26/349-9</b> (CE.13459, L.28376, T.28113) 18Z

**LOCTITE** LA SOLUCIÓN CORRECTA / THE SOLUTION



Las referencias originales tienen un propósito identificativo.  
 Nuestras piezas no son originales.

Part numbers are quoted for reference purposes only.  
 Our parts and accessories are not original.



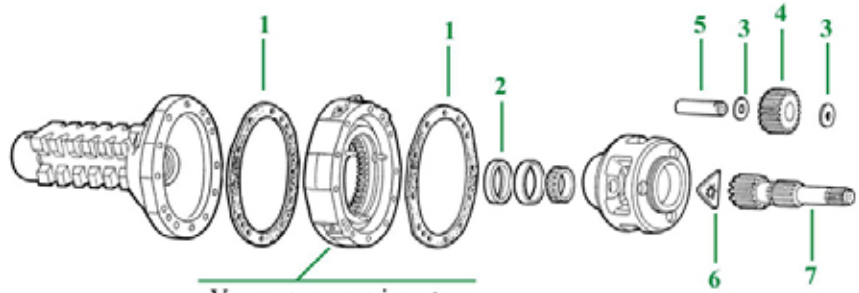
**EJE TRASERO**  
**FINAL DRIVE & REAR AXLE**

Corona para insertar  
*Inner gear (to set in)*

**26/378-1**  
(B.3781)



1020, 1030, 1035, 1140, 1630, 1635,  
1640, 1840, 2020, 2030, 2035, 2040



Ver corona para insertar  
*See inner ring to set in*

Fig.	1	2	3	4	5	6	7	
Tractores <i>Tractors</i>	Junta <i>Gasket</i>	Retén <i>Seal</i>	Arandela <i>Washer</i>	Engranaje <i>Gear</i>	Eje <i>Pin</i>	Retén seguridad <i>Fastener</i>	Eje izquierdo <i>LH shaft</i>	Eje derecho <i>RH shaft</i>
940, 1020, 1030, 1040, 1120, 1140, 1350, 1550, 1630, 1640, 1750, 1840, 1850, 1950, 2020, 2030, 2040, 2240	26/357-3 (T.21419, R.98915)	26/376-10 (AT.21693, AL.38356) 62x85x12	26/384-2 (T.21424)	26/380-4 (T.21547) 18Z	26/381-6 (T.38049) Lg. : 94mm Ø 29mm	26/386-2 (R.49993)	26/387-3 (T.28908, L.34353, L.41167) Lg. : 248mm 12Z	26/387-2 (T.28907, L.41166, L.34168) Lg. : 175mm 12Z
2030, 2120, 2130 Tipo reforzado <i>Heavy duty type</i>		26/376-12 (AL.23547, AL.38357) 58x76,5x9,5		26/380-3 (T.29444) 26Z	26/381-5 (T.29445) Lg. : 94mm Ø 20mm	26/386-1 (T.29451)	26/387-4 (R.56279, T.29452) Lg. : 293mm 15Z	26/387-1 (T.29453) Lg. : 224mm 15Z
2030 (307473 ⇄), 1640, 2040, 2040S, 2140, 2250, 2450, 2550, 2650, 2750, 2850 Tipo reforzado <i>Heavy duty type</i>							26/387-5 (L.36202, L.32867) Lg. : 315mm 15Z	26/387-7 (L.36201, L.32866) Lg. : 245mm 15Z
3030, 3120, 3130		26/376-9 (AT.26826, AL.38358)		26/380-2 (T.28828) 26Z	26/381-4 (T.28829) Lg. : 123mm		26/387-6 (R.56278, T.28122) Lg. : 326mm 15Z	26/387-8 (T.28119) Lg. : 247mm 15Z

18Z = dientes / *Teeth*

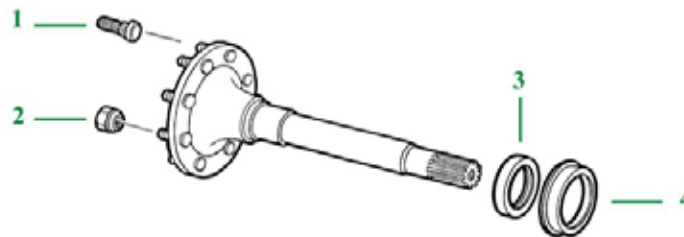


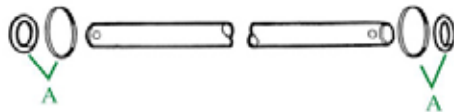
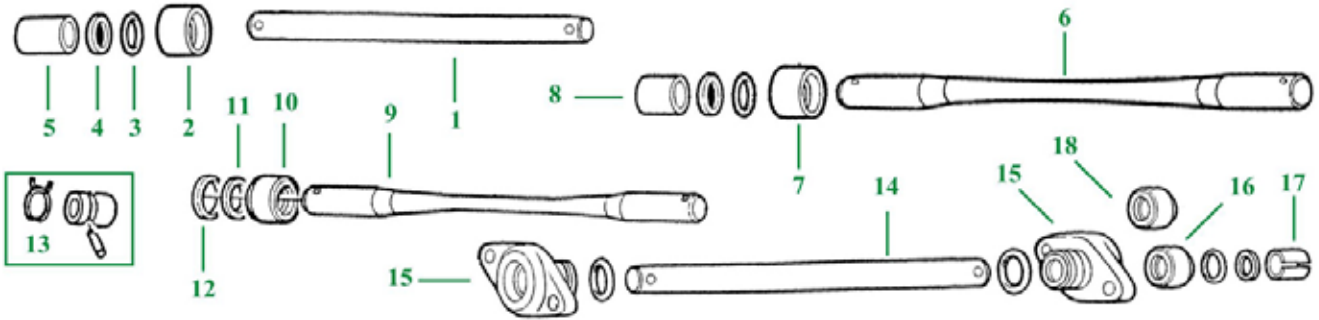
Fig.	1	2	3	4
Tractores <i>Tractors</i>	Tornillo <i>Stud</i>	Tuerca <i>Nut</i>	Retén <i>Seal</i>	Guía <i>Guide</i>
1020, 1030, 1040, 1120, 1130, 1140, 1630, 1640, 1830, 2020, 2040, 2040S, 2120, 2130, 2250, 2450, 2650, 2850, 3030, 3120, 3130	26/440-13 (T.32144, T.26308) Rosca/Thread 3/4"	26/441-13 (T.26309) Rosca/Thread 3/4"		
1020, 1030, 1140, 1630, 1640, 1830, 1840, 2020, 2030, 2040, 2120, 2130			26/371-18 (AT.20703)	26/375-2 (T.21429)

Las referencias originales tienen un propósito identificativo.  
Nuestras piezas no son originales.

Part numbers are quoted for reference purposes only.  
Our parts and accessories are not original.



**EJE DEL ELEVADOR INFERIOR**  
**LOWER LINK SENSING SHAFTS**



- A. **26/6685-2** Juego "O" rings / Set Eje / Shaft Ø 7/8"
- A. **26/6685-1** Juego "O" rings / Set Eje / Shaft Ø 1"

Tractores Tractors	Fig. Fig.	Referencia Ref.	OEM	Descripción Description
Eje / Shaft Ø 13/16" 940, 1020, 1030, 1040, 1120, 1130, 1140, 1350, 1550, 1630, 1750, 1850	1	26/6678-3	L.26932, T.26598	Eje / Shaft Ø 13/16" Lg. : 500mm
	2	26/6679-1	T.22097	Casquillo / Bush
	3	26/6680-1	A.4730R	"O" ring
	4	26/6681-2	T.22098	Anillo / Ring
	5	26/6682-1	T.22099	Casquillo / Bush
	13	26/6683-3	L.26933 + L.26935 + L.26936	Juego / Set
Eje / Shaft Ø 13/16" 1830, 2020, 2120, 2030, 2130	6	26/6678-5	L.31199	Eje / Shaft Ø 13/16" Lg. : 497mm
	7	26/6679-3	L.33865, T.28546	Casquillo / Bush 26,2 x 47,2 x 24
	8	26/6682-2	T.28548	Casquillo / Bush 25,4 x 28,3 x 35
Eje / Shaft Ø 13/16" 1640, 1840, 2040, 2040S, 2140 (⇄ 529511)	9	26/6678-5	L.31199	Eje / Shaft Ø 13/16" Lg. : 497mm
	10	26/6679-3	L.33865, T.28546	Casquillo / Bush 26,2 x 47,2 x 24
	11	26/6680-2	L.33864	Anillo / Ring
	12	26/6681-1	L.33863	
Eje / Shaft Ø 1 1/8" 1640, 1840, 2040, 2040S, 2140 (529512 ⇄), 2450, 2650, 2850	9	26/6678-2	L.41787	Eje / Shaft Ø 1 1/8" Lg. : 510mm
	10	26/6679-2	L.41802	Casquillo / Bush
	11 + 12	26/6685-3	L.41803 + L.41804	Arandela (2) / Washer (2)
	13	26/6683-1	L.26936 + L.41788 + L.26943	Juego / Set
Eje / Shaft Ø 1 1/8" 3130, 3140, 3340, 3150, 3350	9	26/6678-4	L.41819	Eje / Shaft Ø 1 1/8" Lg. : 575mm
	10	26/6679-2	L.41802	Casquillo / Bush 29 x 47,2 x 24
	13	26/6683-1	L.26936 + L.41788 + L.26943	Juego / Set
Eje / Shaft Ø 1" 3030, 3120, 3130, 3140, 3340	14	26/6678-6	L.26940	Eje / Shaft Ø 1" Lg. : 580mm
	15	26/6684-1	AT.26574	Palier / Flange
	16	26/6679-3	L.33865, T.28546	Casquillo / Bush 26,2 x 47,2 x 24
	17	26/6682-2	T.28548	Casquillo / Bush 25,4 x 28,3 x 35
	18	26/6679-305	T.28546 (+ 0,5)	Casquillo / Bush

Las referencias originales tienen un propósito identificativo.  
Nuestras piezas no son originales.

Part numbers are quoted for reference purposes only.  
Our parts and accessories are not original.



**EJES Y EMBRAGUES DE LA TDF**  
**SHAFTS AND PTO CLUTCH**

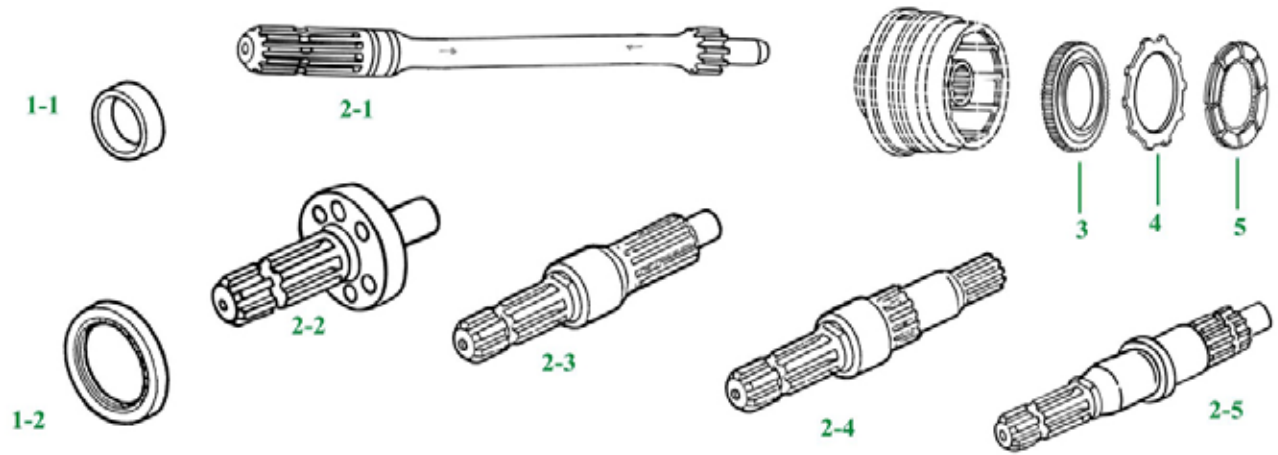


Fig.	1	2	3	4	5
Tractores Tractors	Retén Oil seal	Eje 6 gr. 1 3/8" Shaft 6 gr. 1 3/8"	RPM	Engranaje Gear	Disco Plate
820, 830, 840, 920, 930, 940, 1020, 1030, 1040, 1120, 1130, 1140, 1350, 1550, 1630, 1640, 1750, 1830, 1850, 2030, 2040, 2040S, 2130, 2140, 2250, 2450, 2650	<b>26/305-10</b> (T.22069) (35 x 54 x 10) 1-1	<b>26/303-21</b> (L.28712, L.38806, T.22116) 2-1	540		<b>26/317-11</b> (AL.69560, AT.26632, AL.38239, AL.38240, AL.69559) Grosor / Thick 1,6mm (Metal sinterizado Sintered metal)
830, 930, 1020, 1030, 1120, 1130, 1630, 1830, 2020, 2030, 2120, 2130				<b>26/299-8</b> (T.30755)	
1020, 2020, 2120, 1030, 1130, 1630		<b>26/303-27</b> (AT.20094) 2-2			
1030, 1630, 1830, 2030, 2130, 1640, 1840, 2040, 2140	<b>26/305-11</b> (AT.16431) 1-2 (73 x 95 x 13)	<b>26/303-26</b> (AT.29707) 2-3	540 Lg. : 237mm	<b>26/316-10</b> (T.28664) (L.64752)	
3120, 3030, 3130, 3140, 3340, 3050, 3150, 3040, 3350, 3650		<b>26/303-23</b> (T.30803) 2-4	1000 Lg. : 260mm		
4050, 4250, 4450 (US)		<b>26/303-25</b> (R.41752) 2-3	540 Lg. : 271,5mm		
3040, 3140, 3340, 3640, 3050, 3150, 3350, 3650		<b>26/303-22</b> (T.28672) 2-4	1000 Lg. : 290mm		
3020, 4000, 4020, 4040, 4040S, 4050, 4055, 4230, 4240, 4240S, 4250, 4255, 4320, 4350, 4430, 4440, 4450, 4455		<b>26/303-29</b> (R.94130) 2-4	1000 Lg. : 300mm		
	<b>26/303-24</b> (L.34242) 2-5 Palanca TdF Handshift PTO	540 Lg. : 275mm			
		<b>26/303-25</b> (R.41752) 2-3	540 Lg. : 271,5mm		

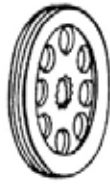
Las referencias originales tienen un propósito identificativo.  
 Nuestras piezas no son originales.

Part numbers are quoted for reference purposes only.  
 Our parts and accessories are not original.





**DISCOS DE FRENO**  
**DISC BRAKES**



1



2



2-1



2-2



3



4

Fig.	1	2	3	4
Tractores Tractors	Disco de freno Brake disc	Pistón Piston	Junta tórica Seal	
820, 830, 920, 930, 1020, 1120, 2020, 2120, 1030, 1130, 1630 (↔ 300749), 1830 (↔ 301445), 2030 (↔ 301745), 2130, 1640, 2040, 2140	<b>26/422-6</b> (AL.38236, AZ.40478, AT.22034) 12Z - Ø 306mm Grosor : 10,2mm Thickness : 10.2mm	<b>26/417-4</b> (L.31016) Grosor : 37,8mm Thickness : 37.8mm 2-1	<b>26/416-3</b> (R.50703, T.22102)	<b>26/416-5</b> (R.50704, T.22103)
830, 930, 1030, 1130, 1630 (300750 ↔), 1830 (301446 ↔), 2030 (301746 ↔) 840, 940, 1040, 1140	<b>26/422-4</b> (AL.38234, AL.29645) 12Z - Ø 306mm Grosor : 7,2mm Thickness : 7.2mm	<b>26/417-5</b> (L.33483) Grosor : 35,9mm Thickness : 35.9mm 2-1		
1550, 1750, 1850, 1950, 1950N		<b>26/417-6</b> (L.33910) Grosor : 50mm Thickness : 50mm 2-2	<b>26/416-4</b> (T.30349, L.39803, L.56243)	<b>26/416-6</b> (T.28473, L.39804, L.56244)
1640, 1840, 2040, 2040S (↔ 370492)	<b>26/422-5</b> (AL.38235, AL.30095) 15Z - Ø 306mm Grosor : 10,2mm Thickness : 10.2mm		<b>26/417-5</b> (L.33483) Grosor : 35,9mm Thickness : 35.9mm 2-1	<b>26/416-3</b> (R.50703, T.22102)
1640, 1840, 2040, 2040S (370493 ↔), 2130, 2140		<i>o / or</i>	<i>o / or</i>	<i>o / or</i>
		<b>26/417-6</b> (L.33910) Grosor : 50mm Thickness : 50mm 2-2	<b>26/416-4</b> (T.30349, L.39803, L.56243)	<b>26/416-6</b> (T.28473, L.39804, L.56244)

Las referencias originales tienen un propósito identificativo.  
 Nuestras piezas no son originales.

Part numbers are quoted for reference purposes only.  
 Our parts and accessories are not original.



**DISCOS DE FRENO**  
**DISC BRAKES**



1



2



2-1



2-2



3



4

Fig.	1	2	3	4
Tractores Tractors	Disco de freno Brake disc	Pistón Piston	Junta tórica Seal	
2250, 2450	<p><b>26/422-4</b> (AL.38234, AL.29645) 12Z - Ø 306mm Grosor : 7,2mm Thickness : 7.2mm</p> <p><i>o / or</i></p> <p><b>26/422-5</b> (AL.38235, AL.30095) 15Z - Ø 306mm Grosor : 10,2mm Thickness : 10.2mm</p>			
3030, 3120, 3130	<p><b>26/422-5</b> (AL.38235, AL.30095) 15Z - Ø 306mm Disco plano Grosor : 10,2mm Flat disc Thickness : 10.2mm</p>	<p><b>26/417-7</b> (L.33909) Grosor : 48,4mm Thickness : 48.4mm <b>2-1</b></p> <p><i>o / or</i></p> <p><b>26/417-8</b> (L.31017) Grosor : 43,7mm Thickness : 43.7mm <b>2-2</b></p>	<p><b>26/416-3</b> (R.50703, T.22102)</p> <p><i>o / or</i></p> <p><b>26/416-4</b> (T.30349, L.39803, L.56243)</p>	<p><b>26/416-5</b> (R.50704, T.22103)</p> <p><i>o / or</i></p> <p><b>26/416-6</b> (T.28473, L.39804, L.56244)</p>
3040, 3140		<p><b>26/417-7</b> (L.33909) Grosor : 48,4mm Thickness : 48.4mm <b>2-1</b></p>	<p><b>26/416-3</b> (R.50703, T.22102)</p>	<p><b>26/416-5</b> (R.50704, T.22103)</p>
2650, 2650N, 2850, 3050, 3350, 3640, 3650				
2250, 2450, 2650, 2850, 3040, 3050, 3140, 3150, 3350, 3640, 3650 2ª Versión / 2 <sup>nd</sup> version	<p><b>26/422-9</b> (AL.65871) 15Z - Ø 306mm Grosor : 4,9mm Thickness : 4.9mm</p>			

Las referencias originales tienen un propósito identificativo.  
 Nuestras piezas no son originales.

Part numbers are quoted for reference purposes only.  
 Our parts and accessories are not original.



### CILINDRO DE FRENO MASTER BRAKE CYLINDER

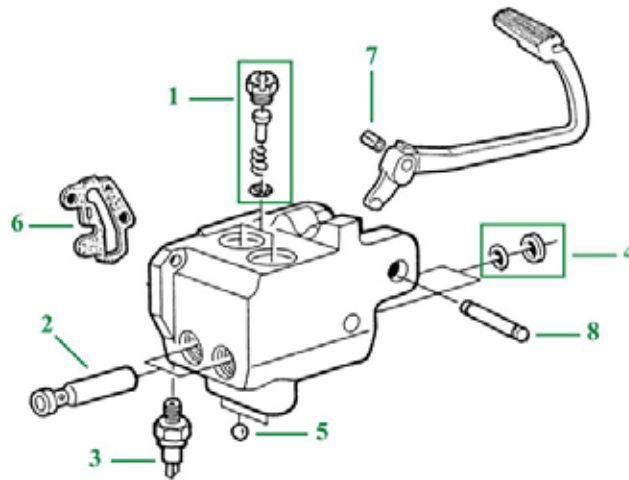


Fig.	1	2	3	4	5	6	7	8
Tractores Tractors	Juego de válvulas Check valve	Pistón Piston	Interruptor freno Brake switch	Juego de retenes Seal kit	Bola Ball	Junta Gasket	Buje Bushing	Eje Shaft
820, 830, 840, 920, 930, 940, 1020, 1030, 1040, 1120, 1130, 1140, 1350, 1550, 1630, 1640, 1750, 1830, 1840, 1850, 1950, 2020, 2030, 2040, 2040S, 2120, 2130, 2140, 2250, 2450, 2650, 2850	26/399-1 (AL.23836, AL.69179, AL.67574, AL.70242)	26/396-1 (L.34040, L.31840, R.50111) Lg. : 107mm	26/187-3 (AL.27809, AL.67715)	26/398-2 (T.22101, R.495R)	26/418-2 (D.2361R) 1/2"	26/397-1 (T.30687)	26/430-2 (B.177R)	26/433-1 (T.49189)
3030, 3120, 3130		26/396-2 (L.31839) Lg. : 112,5mm						
3050, 3140, 3350, 3640, 3640S, 3650								
4040, 4040S, 4230, 4240, 4350, 4430, 4440								

### TUBERÍAS DEL LÍQUIDO DE FRENOS BRAKE PIPES



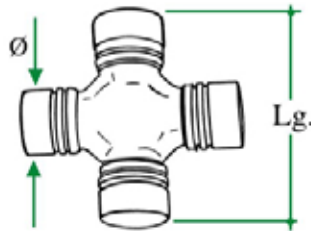
2030, 2130

Las referencias originales tienen un propósito identificativo.  
 Nuestras piezas no son originales.

Part numbers are quoted for reference purposes only.  
 Our parts and accessories are not original.



## EJE DELANTERO Y ARTICULACIÓN UNIVERSAL FRONT AXLE - UNIVERSAL JOINTS



Tractores <i>Tractors</i>	Articulación universal <i>Universal joint</i>	Ø x Lg. Ø x Lg.	Tipo de eje delantero <i>Front axle type</i>
940, 1040, 1140, 1550, 1640, 1750, 1850, 2040, 2040S	26/6403-7 (AL.32885)	27 x 82mm	Eje ZF APL.1351 <i>Axle ZF APL.1351</i>
940, 1040, 1140, 1550, 1640, 1750, 1850, 1850N, 1950, 1950N, 2040, 2040S, 2140, 3040, 3140, 3050, 3350, 3640, 3650	26/6403-8 (AL.34709, AL.64127)	30 x 83mm	Eje ZF APL.1351, 315, 1552, 345 <i>Axle ZF APL.1351, 315, 1552, 345</i>
2140, 3140, 3640	26/6403-6 (AL.55941)	30,2 x 92,1mm	Eje ZF APL.345 <i>Axle ZF APL.345</i>
1640, 2040, 2040S, 2250, 2450	26/6403-9 (AL.55943, AL.64255)	27 x 71mm	Eje ZF APL.325, 350, 1351 <i>Axle ZF APL.325, 350, 1351</i>
1640, 1840, 2040, 2040S, 2140, 2250, 2450, 2650, 2850, 3040, 3050, 3140, 3350, 3640, 3650	26/6403-10 (AL.37069)	35 x 97mm	Eje ZF APL.1351, 345, 350 <i>Axle ZF APL.1351, 345, 350</i>
2140, 3040, 3140	26/6403-11 (AL.32994)	30,1 x 106,4mm	Eje ZF APL.1352 <i>Axle ZF APL.1352</i>
2140, 2850	26/6403-12 (AL.62452)	28 x 71,5mm	Eje ZF APL.735 <i>Axle ZF APL.735</i>

## LLANTAS Y TORNILLOS DE LLANTA RIM & RIM BOLTS



Fig.	1		2	3	
Tractores <i>Tractors</i>	Rueda trasera <i>Rear wheel</i>		Rueda delantera <i>Front wheel</i>	Llanta delantera <i>Front rim</i>	
820, 830, 840, 920, 930, 940, 1020, 1030, 1040, 1120, 1130, 1140, 1350, 1550, 1630, 1640, 1750, 1830, 1840, 1850, 1950, 2020, 2030, 2040, 2040S, 2120, 2130, 2140, 2250, 2450, 2650, 2850, 3040, 3050, 3120, 3140, 3350, 4040, 4240, 4440	26/446-13 (08H4762) 1-1  o / or  26/446-14 (L.33894) 1-2	5/8 UNF    M16 x 1,5	26/446-8 (JD.21) 9/16 UNF	26/449-8 (AR.52506)  26/449-9 (JD.3039)  26/449-10 (JD.3211)	Neumáticos / tyres 6,00 x 16 - 6,50 x 16  Neumáticos / tyres 7,50 x 16  Neumáticos / tyres 7,50 x 18

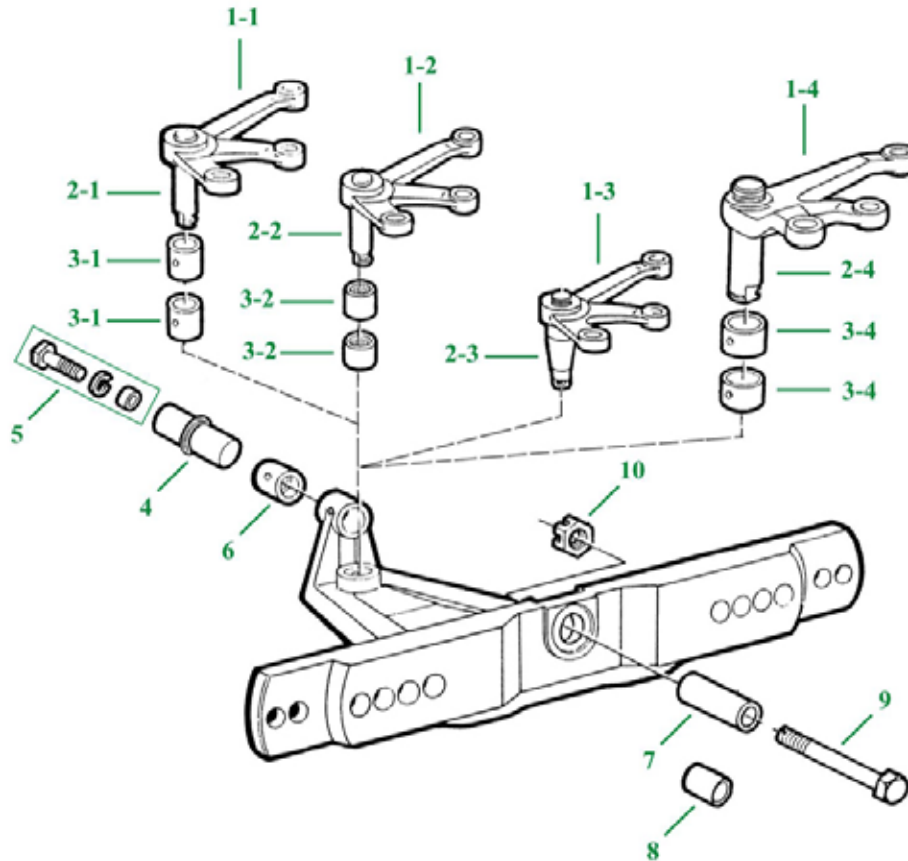
Las referencias originales tienen un propósito identificativo.  
Nuestras piezas no son originales.

Part numbers are quoted for reference purposes only.  
Our parts and accessories are not original.

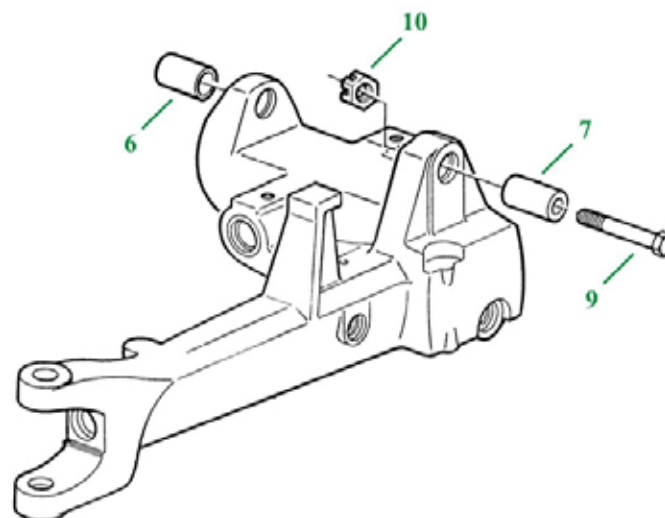


**PIEZAS PARA EL EJE DELANTERO**  
**FRONT AXLE PARTS**

**TRACCIÓN SIMPLE / 2 WHEEL DRIVE**



**DOBLE TRACCIÓN / 4 WHEEL DRIVE**



Las referencias originales tienen un propósito identificativo.  
 Nuestras piezas no son originales.

Part numbers are quoted for reference purposes only.  
 Our parts and accessories are not original.



**PIEZAS PARA EL EJE DELANTERO**  
**FRONT AXLE PARTS**

**TRACCIÓN SIMPLE / 2 WHEEL DRIVE**

Fig.	1	2	3	4	5
Tractores Tractors	Palanca con eje Lever with shaft	Eje solo Spare shaft	Buje Bush	Pasador Pin	Tornillo completo Bolt ass.
1020, 1030, 1120, 1130, 1630, 2020, 2120	<b>26/500-6</b> (AR.53392, AT.19793) Conos / Cones 16/18 1-1	<b>26/505-8</b> Ø 31,8mm Lg. : 133mm 2-1	<b>26/486-18</b> (T.23118, L.62839) Ø 32 x 37mm Altura/Ht. 38mm (x2) 3-1	<b>26/485-19</b> (T.21778, L.34070, L.55437, L.34072) Ø 40mm - Lg. : 94mm	
1830, 2030, 2130, 3120	<b>26/500-3</b> (AL.19725) Conos / Cones 20/22 1-2	<b>26/505-9</b> Ø 31,8mm Lg. : 143mm Fijación o para soldar Clips fixing or weld on 2-2	<b>26/486-23</b> (JD.9911) Ø 32 x 38mm Altura/Ht. 25mm (x2) Con agujas / With needles 3-2		
1640, 1840, 2040, 2040S, 2140, 2250, 2450, 2650, 2850	<b>26/500-5</b> (AL.31088, AL.55149) Conos / Cones 20/22 1-3	<b>26/505-7</b> Ø 35-30mm Lg. : 162mm Cónico / Conical 2-3		<b>26/485-20</b> (L.57725) Ø 40mm - Lg. : 107,4mm  o / or  <b>26/485-19</b> (T.21778, L.34070, L.55437, L.34072) Ø 40mm - Lg. : 94mm	
3030, 3120, 3130, 3140	<b>26/500-4</b> (AT.27227, AL.19361) Conos / Cones 17/19 1-4	<b>26/505-6</b> Ø 38,2mm Lg. : 169mm 2-4	<b>26/477-11</b> (T.21553, L.27821) Ø 38,2 x 42mm Altura/Ht. 38mm (x2) 3-4	<b>26/485-16</b> (L.34071, L.57726) Ø 38mm - Lg. : 115,5mm  <b>26/485-17</b> (T.29200) Modelo antiguo / Old model (Sin buje / Less bush) Ø 38mm - Lg. : 115,5mm  <b>26/486-24</b> (A3809R) Buje Snap ring for above	<b>26/483-3K</b> (L.57963 + 47M7003 + L.57686) 7/16"
820, 830, 840, 920, 930, 940, 1040, 1140				<b>26/485-19</b> (T.21778, L.34070, L.55437, L.34072) Ø 40mm - Lg. : 94mm	
1020V, 1030V, 1040V, 1140V				<b>26/485-18</b> (T.25132) Ø 40mm - Lg. : 94mm	

Fig.	6	7	8	9	10
Tractores Tractors	Casquillo Bush			Tornillo Screw	Tuerca Nut
1350, 1550, 1750, 1850, 1950, 2250, 2450, 2650, 2850		<b>26/486-19</b> (T.21669) Ø 32mm Lg. : 91mm	<b>26/486-18</b> (T.23118, L.62839) Ø 32 x 37mm Altura/Ht. 38mm	<b>26/508-1</b> (T.25840) 3/4"	<b>26/452-1</b> (14H902, 14H1086) 3/4"
820, 830, 840, 920, 930, 940, 1020, 1030, 1040, 1120, 1130, 1140, 1630, 1640, 1830, 1840, 2020, 2030, 2040, 2040S, 2120, 2130, 2140	<b>26/486-17</b> (T.23170, L.62836) Ø 40 x 45mm Altura/Ht. 38mm				
3030, 3050, 3120 (075016 ⇄ ) 3130, 3140, 3350	<b>26/486-15</b> (T.29199, L.62837) Ø 38 x 43mm Altura/Ht. 51mm	<b>26/486-16</b> (T.29205) Ø 38mm Lg. : 110mm	<b>26/486-15</b> (T.29199, L.62837) Ø 38 x 43mm Altura/Ht. 51mm	<b>26/508-2</b> (T.29210, L.64734) 3/4"	
1020V, 1030V, 1040V, 1140V	<b>26/486-17</b> (T.23170, L.62836) Ø 40 x 45mm Altura/Ht. 38mm				

Las referencias originales tienen un propósito identificativo.  
Nuestras piezas no son originales.

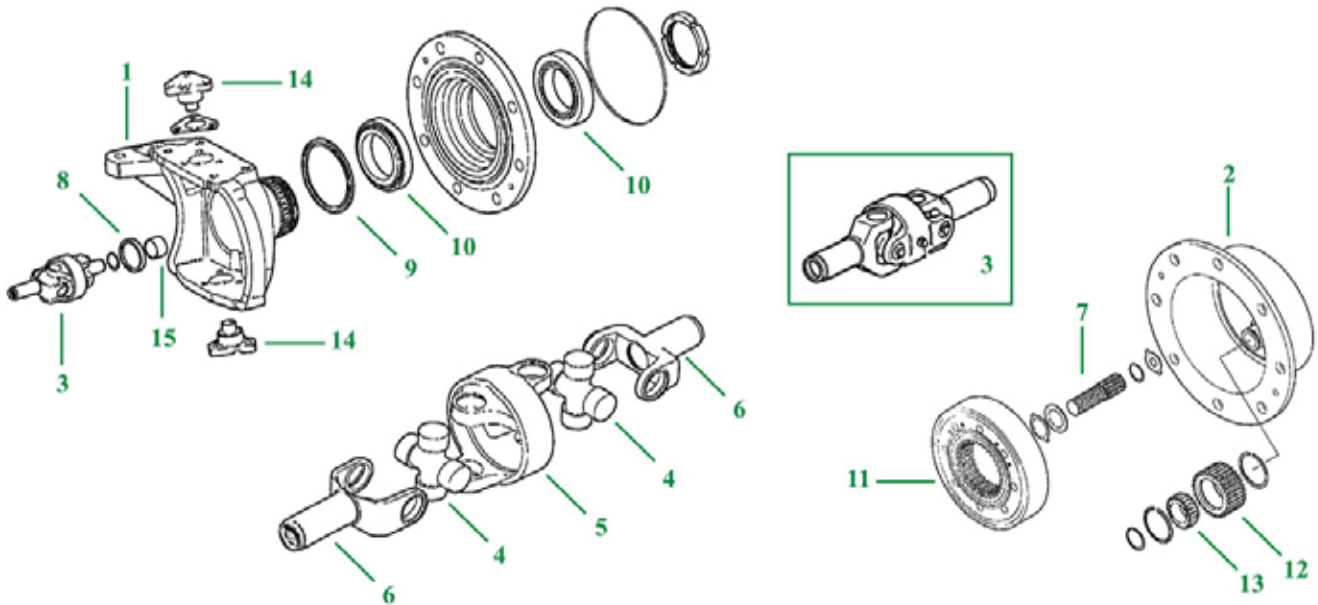
Part numbers are quoted for reference purposes only.  
Our parts and accessories are not original.



**"THE RELIABLE SERVICE"**



**EJE FRONTAL**  
**FRONT AXLE DRIVE**



Tractores Tractors	Fig. Fig.	Ref. Ref.	OEM	Eje ZF ZF axle	Descripción Description
2140 (024906 ⇄), 3140 (026317 ⇄), 3050, 3350, 3640, 3650	1	26/6400-1	L.41927	345, 350	Carcasa de giro (izq.) Swivel housing (LH)
		26/6400-3	L.41926		Carcasa de giro (drcha.) Swivel housing (RH)
2140, 2850		26/6400-2	L.60082	735	Carcasa de giro (drcha.) Swivel housing (RH)
		26/6400-6	L.60081		Carcasa de giro (izq.) Swivel housing (LH)
1640, 2040, 2040S, 2250, 2450, 2650		26/6400-4	L.61201 L.40268	325, 325N	Carcasa de giro (izq.) Swivel housing (LH)
		26/6400-5	L.61202 L.40269		Carcasa de giro (drcha.) Swivel housing (RH)
2140 (⇄ 024905), 3040 (⇄ 026316), 3140 (⇄ 026316)		26/6400-7	L.39962	345	Carcasa de giro (drcha.) Swivel housing (RH)
		26/6400-8	L.39961		Carcasa de giro (izq.) Swivel housing (LH)
3050 (A), 3140 (B), 3350 (A), 3640, 3650	2	26/6401-1	L.41121	345, 350	Carcasa soporte planetarios Panel pinion carrier
2140, 2850		26/6401-2	L.60110	735	
2140, 3040, 3050, 3140, 3350		26/6401-3	L.40012	345, 350	
1640, 2040, 2040S, 2250, 2450, 2650, 2650N		26/6401-4	L.40041	325, 325N	

(A) Sólo para tractores con freno en el eje de transmisión de la junta cardán (APL.345)  
*Only for tractors with U.J. drive shaft brake (APL.345)*

(B) Sólo para tractores con capacidad de elevación aumentada y TdF delantera  
*Only for tractors with increased lifting capacity and front PTO*

Las referencias originales tienen un propósito identificativo.  
 Nuestras piezas no son originales.

Part numbers are quoted for reference purposes only.  
 Our parts and accessories are not original.



**EJE FRONTAL**  
**FRONT AXLE DRIVE**

Tractores Tractors	Fig. Fig.	Ref. Ref.	OEM	Eje ZF ZF axle	Descripción Description
2140, 2850 (⇄ 629299)	3	26/6402-1	AL.62451	735	Nudo cardán completo Universal joint
1640, 2040, 2040S, 2250 (⇄ 629299), 2450 (⇄ 629299), 2650 (⇄ 629299)		26/6402-2	AL.63606	325, 325N	
1550, 1750, 1850, 1950, 2250 (629300 ⇄), 2450 (629300 ⇄), 2650 (629300 ⇄), 2650N, 2850		26/6402-3	AL.64121	315, 325, 325N	
2850 (629300 ⇄)		26/6402-4	AL.63619	735	
2140, 3040, 3050, 3140, 3350, 3640		26/6402-5	AL.64120		
2140, 3040, 3140, 3640	4	26/6403-6	AL.55941	345, 350	Cruceta cardán doble dirección Universal joint
1550, 1750, 1850, 1950, 2250, 2450, 2650, 2850	5	26/6404-1	L.61207	315, 325, 325N, 735	Soporte central crucetas Double shift fork
1550, 1750, 1850, 1950, 2250, 2450, 2650	6	26/6405-1	AL.64254	315, 325, 325N	Horquilla porta-cruceta Outer half shaft
1550, 1640, 1750, 1850, 1950, 2040, 2040S, 2250, 2450, 2650		26/6405-2	AL.64125		
1640, 2040, 2040S, 2250, 2450, 2650, 2650N	7	26/6406-1	L.40029	325, 325N	Semi-eje ext. caja planetarios Shaft
3050 (A), 3140 (C), 3350 (A), 3640, 3650		26/6406-2	L.41123	345, 350	
2140, 2850		26/6406-3	L.60106	735	
2140, 2850, 3040, 3050, 3140, 3350, 3640, 3650	8	26/6407-5	AL.61448 AL.39338	735, 345, 350	Retén Seal
1550, 1640, 1750, 1850, 1950, 2040, 2040S, 2250, 2450, 2650, 2650N		26/6407-6	AL.63351	315, 325, 325N	
1550, 1640, 1750, 1850, 1950, 2040, 2040S, 2140, 2250, 2450, 2650, 2850, 3050, 3350, 3650	9	26/6408-7	AL.68210	325, 325N, 735	
1550, 1640, 1750, 1850, 1950, 2040, 2040S, 2140, 2250, 2450, 2650, 2850	10	26/6410-8	AL.38099	315, 325, 325N, 735	Rodamiento bolas Roller bearing
2140, 3040, 3050, 3140, 3350, 3640		26/6410-9	JD.10249	345, 350	
1640, 2040, 2040S, 2250, 2450, 2650	11	26/6430-3	L.40043	325, 325N	Corona reductor Annular gear
2140, 3040, 3050, 3140, 3350, 3640, 3650		26/6430-5	L.40010	345, 350	
2140, 2850		26/6430-6	L.60105	735	
1640, 2040, 2040S, 2250, 2450, 2650	12	26/6431-4	L.40028	325, 325N	Engrane planetario Planetary gear
2140, 3040, 3050, 3140, 3350, 3640, 3650		26/6431-5	L.39994	345, 350	
2140, 2850		26/6431-6	L.60111	735	
1640, 2040, 2040S, 2140, 2250, 2450, 2650, 2850, 3040, 3050, 3140, 3350, 3640, 3650	13	26/6433-3	JD.10250 AL.39377	325, 345, 350, 735	Rodamiento inter. planetario Bearing
1550, 1640, 1750, 1850, 1950, 2040, 2040S, 2250, 2450, 2650	14	26/6450-1	L.40036	315, 325, 325N	Clavija de unión Trunnion
1550, 1750, 1850, 2250, 2450, 2650	15	26/6462-2	L.60747 L.40017		Casquillo Bushing

(A) Sólo para tractores con freno en el eje de transmisión de la junta cardán (APL.345)  
Only for tractors with U.J. drive Shaft brake (APL.345)

(C) Sólo para tractores con capacidad de elevación aumentada  
Only for tractors with increased lifting capacity

Las referencias originales tienen un propósito identificativo.  
Nuestras piezas no son originales.

Part numbers are quoted for reference purposes only.  
Our parts and accessories are not original.





**PIEZAS PARA EL EJE DELANTERO**  
**FRONT AXLE PARTS**

**DOBLE TRACCIÓN / 4 WHEEL DRIVE**

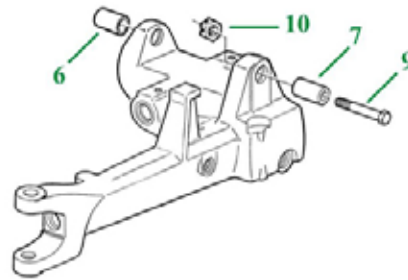


Fig.	6	7	9	10
<b>Tractores</b> <i>Tractors</i>	<b>Casquillo</b> <i>Bush</i>		<b>Tornillo</b> <i>Screw</i>	<b>Tuerca</b> <i>Nut</i>
3050, 3140, 3350, 3640, 3640S, 3650	<b>26/486-20</b> (L.58229, L.63510)	<b>26/486-21</b> (L.40771)	<b>26/508-2</b> (T.29210, L.64734) 3/4"	<b>26/452-1</b> (14H902, 14H1086) 3/4"
4040, 4230, 4240, 4430, 4440		<b>26/486-16</b> (T.29205) Ø 38mm Lg. : 110mm		

**EJE DELANTERO**  
**FRONT AXLE DRIVE**

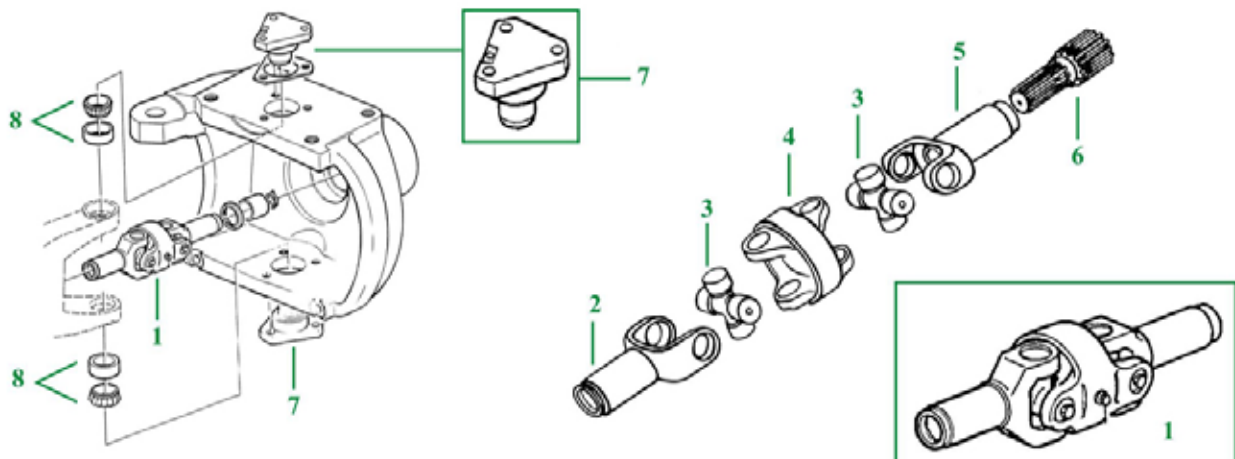


Fig.	1	2	3	4	5	6	7	8
<b>Tractores</b> <i>Tractors</i>	<b>Nudo cardán completo</b> <i>Complete-shaft</i>	<b>Horquilla porta-cruceta</b> <i>Half-shaft</i>	<b>Cruceta cardán doble-dirección</b> <i>Un-joint</i>	<b>Soporte central cruceta</b> <i>Yoke</i>	<b>Horquilla porta-cruceta</b> <i>Half-shaft</i>	<b>Semi-eje ext. caja planet.</b> <i>Shaft</i>	<b>Clavija de unión</b> <i>Pin</i>	<b>Rodamiento</b> <i>Bearing</i>
2140, 3040, 3150	<b>26/6402-5</b> (AL.37920, AL.64120)	<b>26/6405-3</b> (AL.55940)	<b>26/6403-8</b> 30 x 83 (AL.34709)	<b>26/6404-2</b> (L.55870)	<b>26/6405-4</b> (AL.64253)		<b>26/6450-2</b> (L.40004) Eje Ø 25,4mm Pin Ø 1"	<b>26/6451-2</b> (JD.9117 + JD.9053)
3050, 3140, 3340, 3350, 3640, 3650						<b>26/6406-2</b> (L.41123)		
1550, 1640, 1750, 1840, 1850, 1950, 2040, 2040S, 2250, 2450, 2650							<b>26/6450-1</b> (L.40036) Eje Ø 22mm Pin Ø 22mm	<b>26/6451-3</b> (AL.63617) (JD.10252 + JD10253)
2140, 2850							<b>26/6450-3</b> (L.61209, L.60086) Eje Ø 25mm Pin Ø 25mm	<b>26/6451-4</b> (JD.10407)

Las referencias originales tienen un propósito identificativo.  
Nuestras piezas no son originales.

Part numbers are quoted for reference purposes only.  
Our parts and accessories are not original.

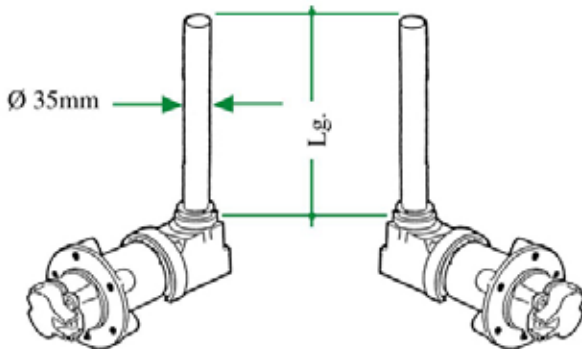


**"THE RELIABLE SERVICE"**



**PAREJA DE MANGUETAS Y CUBOS DE RUEDA REFORZADAS**  
**HEAVY DUTY SPINDLES & HUBS (PAIR)**

1020, 1030, 1630, 2020, 2030, 2120

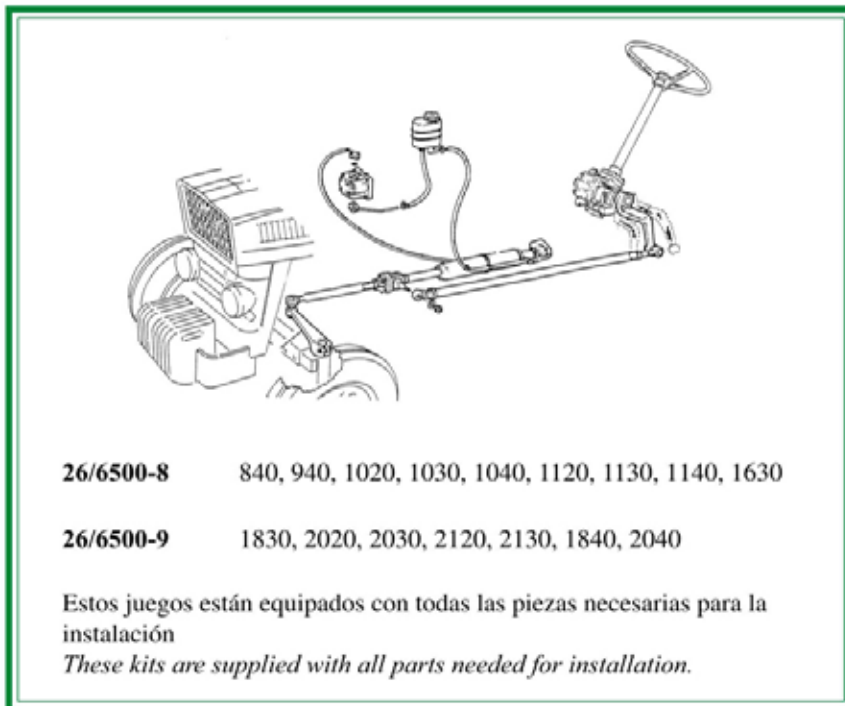


**26/472-32** Lg. : 250mm  
 (J.3102/250)

**26/472-33** Lg. : 300mm  
 (J.3102/300)

**26/472-34** Lg. : 388mm  
 (J.3102/388)

**JUEGOS DIRECCIÓN ASISTIDA**  
**POWER STEERING KITS**



**26/6500-8** 840, 940, 1020, 1030, 1040, 1120, 1130, 1140, 1630

**26/6500-9** 1830, 2020, 2030, 2120, 2130, 1840, 2040

Estos juegos están equipados con todas las piezas necesarias para la instalación

*These kits are supplied with all parts needed for installation.*

Las referencias originales tienen un propósito identificativo.  
 Nuestras piezas no son originales.

*Part numbers are quoted for reference purposes only.  
 Our parts and accessories are not original.*



**PIEZAS PARA EL EJE DELANTERO**  
**FRONT AXLE PARTS**

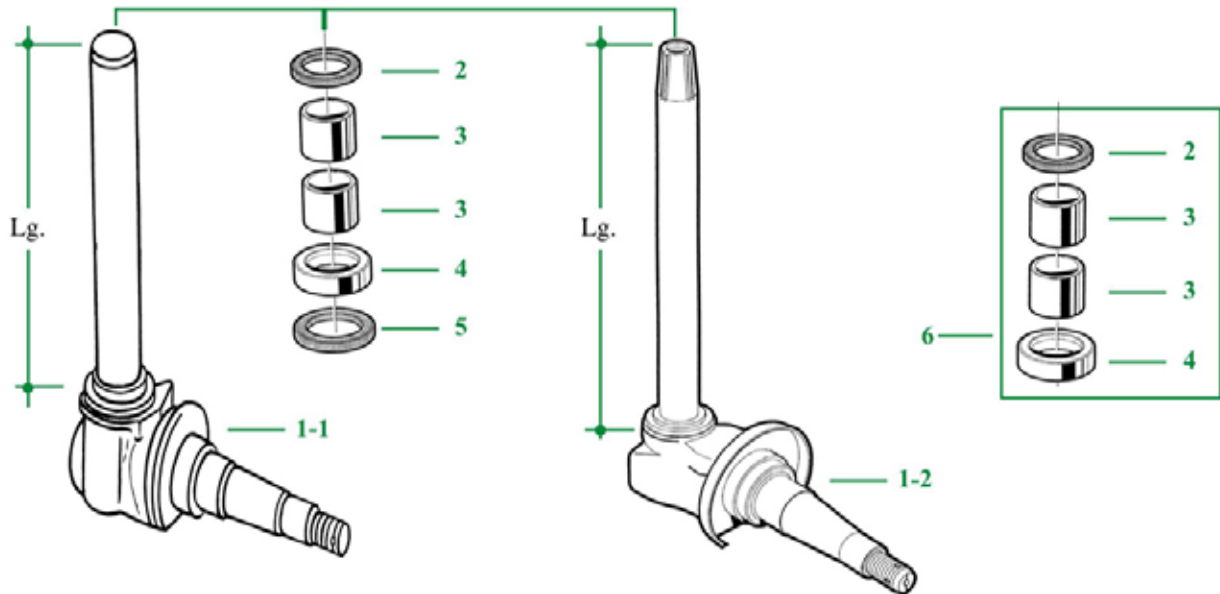


Fig.	1	2	3	4	5	6
Tractores Tractors	Mangueta (izq. o drcha.) Spindle (LH or RH)	Retén Seal	Casquillo Bush	Rodamiento Bearing	Retén Seal	Juego Set
Viñero / Wine grower tractor 920, 930, 940, 1020, 1030, 1040, 1140, 1630	<b>26/470-27</b> (AR.58609) 1-1 Lg. : 250mm Ø 35mm	<b>26/476-10</b> (M.1518T)	<b>26/477-10</b> (T.21539)	<b>26/479-10</b> (JD.8407)	<b>26/474-1</b> (M.2282T)	<b>26/475-13</b> (B.1262)
Tractor Frutero Fruit grower tractor 1020, 1120, 2020, 2120, 1840	<b>26/470-28</b> (AT.23637) 1-1 Lg. : 194mm Ø 35mm					
820, 830, 840, 920, 930, 940, 1020, 1030, 1040, 1120, 1130, 1140, 1350, 1550, 1630, 1640, 1750, 1840, 1850, 1950, 2020, 2030, 2120, 2250	<b>26/470-201</b> (AR.58606, AR.52861, AT.23636) 1-1 Lg. : 300mm Ø 35mm					
940, 1020, 1030, 1040, 1120, 1130, 1140, 1550, 1630, 1750, 1850, 1950, 2020, 2120	<b>26/470-29</b> (AR.58607) 1-1 Lg. : 388mm Ø 35mm					
3120	<b>26/470-30</b> (AT.27230) 1-2 Lg. : 345mm Ø 38mm	<b>26/476-11</b> (T.15288)	<b>26/477-11</b> (T.21553)	<b>26/479-11</b> (JD.8410)	<b>26/474-2</b> (T.15284)	<b>26/475-14</b> (B.1263)
2030, 2130, 3130	<b>26/470-202</b> (AL.19730, DE.12447) 1-2 Lg. : 380mm Ø 38mm					
1640, 1840, 2040, 2040S, 2140, 2450, 2650, 2850	<b>26/470-200</b> (AL.28222) 1-2					
1640, 2040, 2040S, 2140, 3030, 3130, 3040, 3140, 3340, 3150, 3350	<b>26/470-31</b> (AR.74606) 1-2 Lg. : 375mm Ø 44,5mm		<b>26/477-12</b> (T.34546)	<b>26/479-12</b> (JD.8412)	<b>26/474-3</b> (T.31749)	<b>26/475-15</b> (B.1264)

Las referencias originales tienen un propósito identificativo.  
Nuestras piezas no son originales.

Part numbers are quoted for reference purposes only.  
Our parts and accessories are not original.



**PIEZAS PARA EL EJE DELANTERO**  
**FRONT AXLE PARTS**

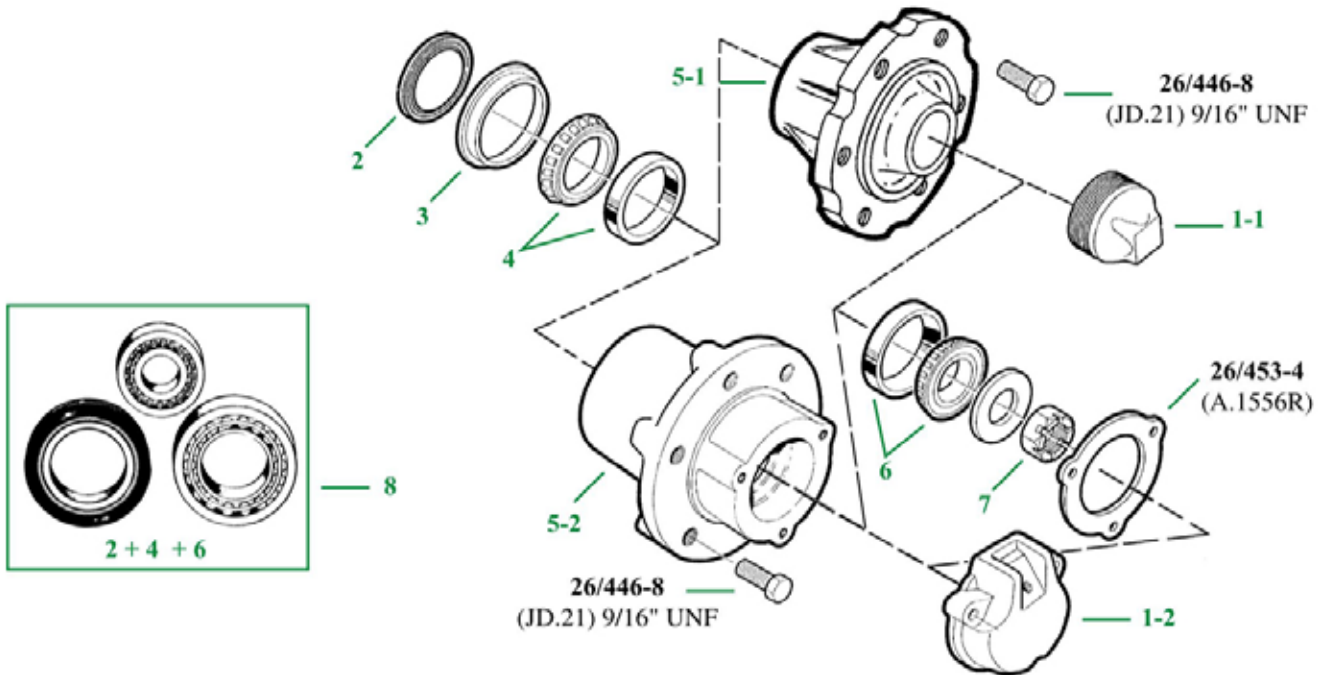


Fig.	1	2	3	4	5	6	7	8
Tractores Tractors	Tapón Cap	Retén Seal	Anillo Ring	Cojinete Bearing	Cubo rueda Hub	Cojinete Bearing	Tuerca Nut	Juego Set
<b>Tractor estrecho</b> <i>Narrow tractor</i> 1020, 1030, 1040, 1140					26/450-18 (T.26716)			
500, 510, 700, 710				26/462-9 (A)		26/463-3		
<b>Eje normal</b> <i>Standard axle</i> 830, 930, 940, 1020, 1030, 1040, 1120, 1130, 1140, 1350, 1550, 1750, 1630, 1830, 1850, 1950, 2020, 2120, 2030, 2130	26/454-10 (T.12688) (Para insertar To insert) 1-1	26/461-15 (AR.49592) Ø 65,1mm		26/462-15 (JD.8194 + JD.8230)(B)	26/450-200 (R.47076) 5-1	26/463-15 (JD.8905 + JD.8239)	26/452-1 (14H902, 14H1086) 3/4"	26/460-15 (B.1027)
<b>Eje reforzado</b> <i>Heavy duty axle</i> 1020, 1030, 1120, 1130, 1630, 1830, 2030, 2130 (⇄ 242099)	26/454-11 (A.1555R) (Fijación de tres puntos Fixing 3 screws) 1-2	26/461-16 (AR.26480) Ø 88,4mm	26/461-25 (R.26632)	26/462-16 (JD.8913 + JD.7445) (C)	26/450-201 (T.21545) 5-2	26/463-16 (JD.8929 + JD.8251)	26/452-5 (14H920) 1"	26/460-16 (B.1028)
<b>Eje reforzado</b> <i>Heavy duty axle</i> 1040, 1130, 1140, 1550, 1630, 1830, 2030, 2130 (242100 ⇄), 1640, 1750, 1840, 1850, 1950, 2040, 2040S, 2140, 2250, 2450, 2650, 2850				26/462-17 (JD.8969 + JD.7445) (D)				26/460-17 (B.1029)
3030, 3120, 3130 (Neumáticos/Tyres 750x18, 750x20)				26/462-16 (C)				26/460-16 (B.1028)
3050, 3130, 3140, 3350 3030, 3040 (Neumáticos Tyres 10.00x16, 10.50x18)				26/462-17 (D)				26/460-17 (B.1029)

(A) Ø int. 41,27mm  
(A) Inner Ø 41.27mm

(B) Ø int. 34,92mm  
(B) Inner Ø 34.92mm

(C) Ø int. 42,87mm  
(C) Inner Ø 42.87mm

(D) Ø int. 45,6mm  
(D) Inner Ø 45.6mm

Las referencias originales tienen un propósito identificativo.  
Nuestras piezas no son originales.

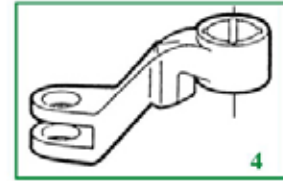
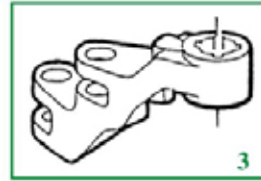
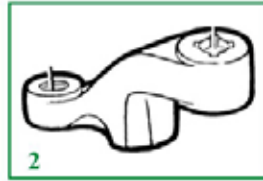
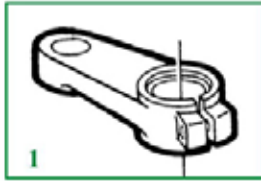
Part numbers are quoted for reference purposes only.  
Our parts and accessories are not original.



**"THE RELIABLE SERVICE"**

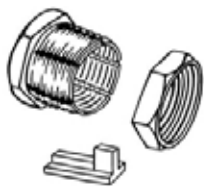


**PIEZAS PARA EL EJE DELANTERO**  
**FRONT AXLE PARTS**



Tractores Tractors	Fig. Fig.	Derecha RH	Izquierda LH	Cono Cone	Eje Shaft
<b>BRAZOS DE DIRECCIÓN MANUAL / MANUAL STEERING ARMS</b>					
840, 940, 1020, 1030, 1040, 1120, 1130, 1140, 1350, 1550, 1630, 1640, 1750, 1850, 1950, 2020, 2120, 2250	1	26/501-3 (T.21618)	26/501-4 (T.21619)	16/18mm	Ø 35mm
1640, 1830, 1840, 2030, 2040, 2040S, 2130, 2140, 2250, 2450, 2650, 2850, 3030, 3120, 3130	2	26/501-6 (R.51187, L.28314)	26/501-5 (R.51186, L.28315)	20/22mm	Ø 33/38mm
1040, 1120, 1140, 1550, 1630, 1750, 1850, 1950, 2120		26/501-7 (L.25879)	26/501-9 (L.25880)	16/18mm	
3120 (⇔ 075015)		26/501-8 (T.29216)	26/501-10 (T.29217)	17/19mm	
<b>BRAZO DIRECCIÓN HIDROSTÁTICA / HYDROSTATIC STEERING ARM</b>					
1640, 2040, 2040S, 2140, 2250, 2450, 2650, 2850, 3040, 3050, 3140, 3350	3	26/500-7 (L.34366)			
	4		26/500-8 (L.35960)		

**JUEGO DE REPARACIÓN PARA LA ROSCA DE LA MANGUETA DELANTERA**  
**FRONT SPINDLE THREAD REPAIR KIT**



**70/457-9** (Ex : LN.10/24M) 310, 500, 510, 700, 710  
 Rosca / Thread 24 x 1,5mm

**70/457-2** (Ex : LN.10-2) 830, 930, 940, 1020, 1030, 1040, 1120, 1130, 1040, 1140, 1350, 1550, 1750, 1630, 1830, 1850, 1950, 2020, 2120, 2030, 2130  
 Rosca / Thread 3/4" x 18 UNF

**70/457-6** (Ex : LN.10-6) 1020, 1030, 1040, 1120, 1130, 1140, 1550, 1630, 1640, 1750, 1830, 1840, 1850, 1950, 2030, 2040, 2040S, 2130, 2140, 2250, 2450, 2650, 2850, 3030, 3040, 3130, 3140, 3150, 3340, 3350  
 Rosca / Thread 1" x 14 UNF

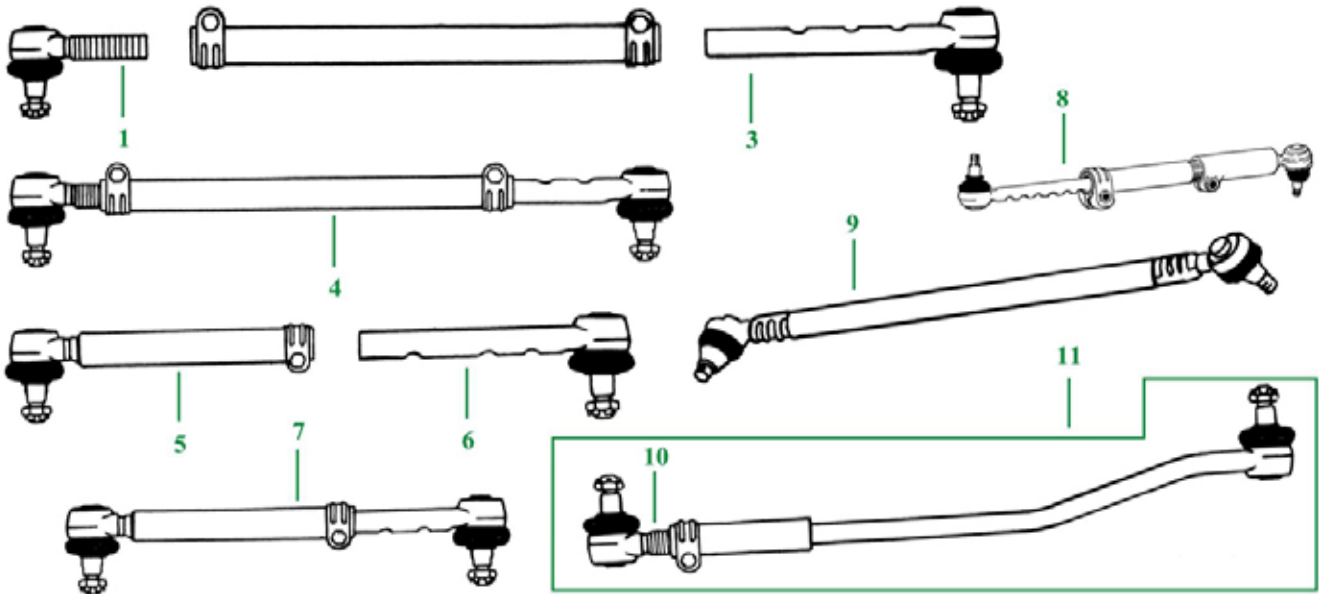
La tuerca interior se aplica a la rosca usada y se asegura con la tuerca exterior.  
 The inner cone nut is screwed on the worn thread and is locked by the outer nut.

Las referencias originales tienen un propósito identificativo.  
 Nuestras piezas no son originales.

Part numbers are quoted for reference purposes only.  
 Our parts and accessories are not original.



**RÓTULAS Y ACOPLES DE DIRECCIÓN**  
**STEERING LINKS & SOCKETS**



Tractores Tractors	Fig. Fig.	Ref. Ref	Rosca o Ø Thread or Ø	Longitud Length	Cono Cone
<b>TRACTORES ESTRECHOS</b> <b>NARROW TRACTORS</b>					
1020V, 1030V 1040V, 1140V	1	<b>26/496-51</b> (AL.39032, AT.31327, DE.16309)	M 11/16" D (RH)	90mm	14,3/15,8mm
	3	<b>26/495-55</b> (AL.39031, AT.31326, DE.16310)	Ø 16mm	290mm	
	4	<b>26/493-20</b> (AL.39030, AT.24357, DE.16308)		Cerrado : 700mm Closed : 700mm	
	5	<b>26/497-54</b> (AT.31328, DE.16312)	F. Ø 15mm	320mm	
	6	<b>26/495-56</b> (AL.39034, AT.31329, DE.16313)	Ø 15mm	210mm	
	7	<b>26/493-21</b> (AL.39033, AT.24356, DE.16311)		Cerrado : 350mm Closed : 350mm	
	9	<b>26/490-17</b> (AT.24350)		970mm	
1020V, 1030V	6	<b>26/495-14</b> (AL.39019)	Ø 20mm	235mm	16,5/18,5mm
	8	<b>26/493-14</b> (AL.39018)		Cerrado : 280mm Closed : 280mm	
1040V, 1140V	10	<b>26/491-21</b> (DE.16386)	M 20 x 1,5 D (RH)	115mm	14,3/15,8mm
	11	<b>26/490-18</b> (DE.16384)		Cerrado : 950mm Closed : 950mm	14,3/15,8 x 16,5/18,5mm

Las referencias originales tienen un propósito identificativo.  
Nuestras piezas no son originales.

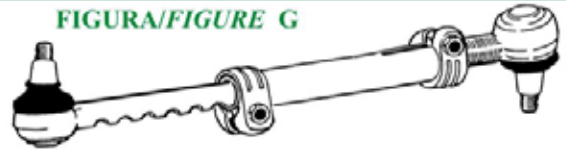
Part numbers are quoted for reference purposes only.  
Our parts and accessories are not original.



**RÓTULAS Y ACOPLES DE DIRECCIÓN**  
**STEERING LINKS & SOCKETS**



FIGURA/FIGURE D



FIGURA/FIGURE G



FIGURA/FIGURE A



FIGURA/FIGURE B



FIGURA/FIGURE C

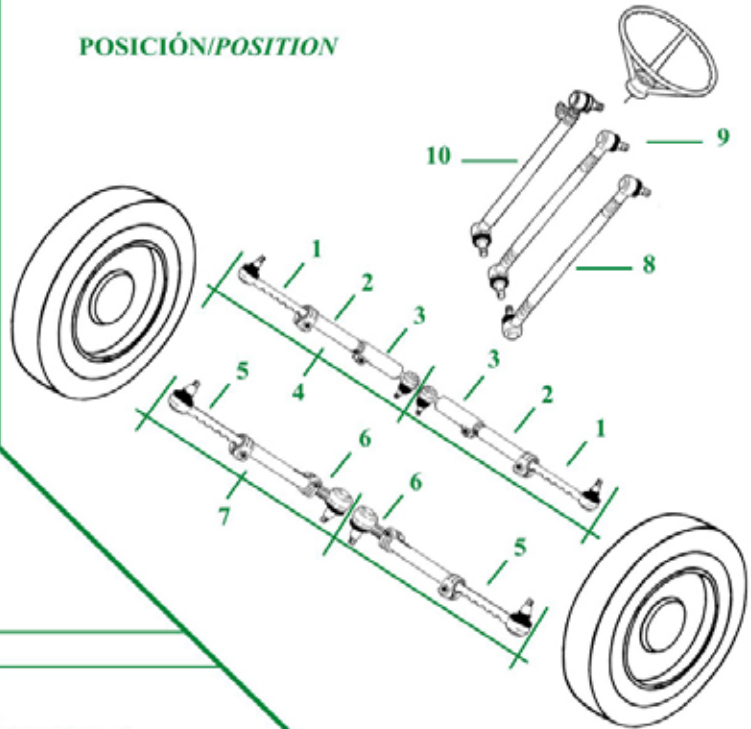


FIGURA/FIGURE E

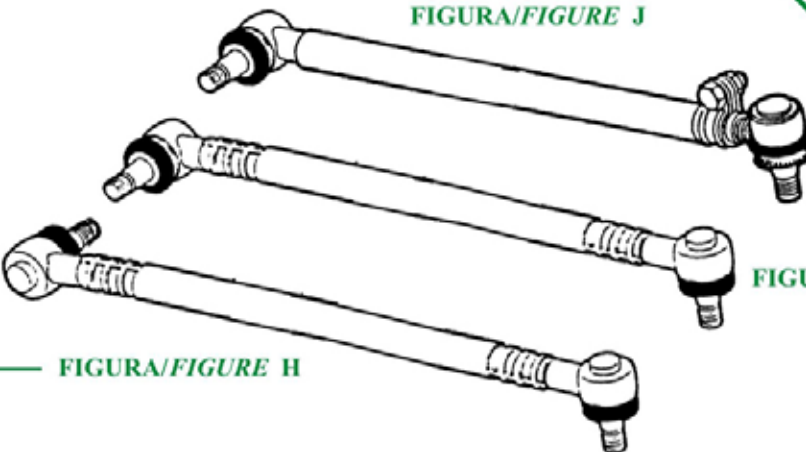


FIGURA/FIGURE F

**POSICIÓN/POSITION**



FIGURA/FIGURE J



FIGURA/FIGURE H

FIGURA/FIGURE I

Las referencias originales tienen un propósito identificativo.  
 Nuestras piezas no son originales.

Part numbers are quoted for reference purposes only.  
 Our parts and accessories are not original.



## RÓTULAS Y ACOPLES DE DIRECCIÓN STEERING LINKS & SOCKETS

Ver página JD-78 para figuras y posiciones / See page JD-78 for figures & position

Tractores Tractors	Fig. Fig.		Posición Position	Rosca o Ø Thread or Ø	Longitud Length	Cono Cone
<b>TRACTORES CON DIRECCIÓN MANUAL 2 WHEEL DRIVE TRACTORS WITH MANUAL STEERING</b>						
820, 830, 920, 930, 1020, 1030, 1120, 1130, 1630	I	<b>26/490-10</b> (AL.41600, AT.19808)	9		910mm	16,5/18,5mm
	A	<b>26/495-16</b> (AL.39024)	1	Ø 20mm	340mm	
	C	<b>26/497-7</b> (AL.39020)	3	F 1 1/8" UNF	150mm	
	B	<b>26/497-7A</b> (T.29109)	2	F 1 1/8" - Ø 20	290mm	
	D	<b>26/493-16</b> (AL.39023)	4		400 ⇄ 680mm	
840, 940, 1040, 1140, 1350, 1550, 1750, 1850	I	<b>26/490-10</b> (AL.41600, AT.19808)	9		910mm	
	H	<b>26/490-12</b> (AL.39036)	8		910mm	
	A	<b>26/495-16</b> (AL.39024) (A)	1	Ø 20mm	340mm	
	C	<b>26/497-7</b> (AL.39020)	3	F 1 1/8" UNF	150mm	
	B	<b>26/497-7A</b> (T.29109)	2	F 1 1/8" - Ø 20	290mm	
	D	<b>26/493-16</b> (AL.39023) (A)	4		400 ⇄ 680mm	
1640 (Despeje bajo / Low clearance)	J	<b>26/490-14</b> (AL.38638, DE.16223)	10		1130 ⇄ 1180mm	20/22mm
	A	<b>26/495-16</b> (AL.39024)	1	Ø 20mm	340mm	16,5/18,5mm
	C	<b>26/497-7</b> (AL.39020)	3	F 1 1/8" UNF	150mm	
	B	<b>26/497-7A</b> (T.29109)	2	F 1 1/8" Ø 20mm	290mm	
	D	<b>26/493-16</b> (AL.39023)	4		400 ⇄ 680mm	
I	<b>26/490-11</b> (AL.39035, AT.19807)	9		1050mm		
2020, 2120	A	<b>26/495-16</b> (AL.39024)	1	Ø 20mm	340mm	
	C	<b>26/497-7</b> (AL.39020)	3	F 1 1/8" UNF	150mm	
	B	<b>26/497-7A</b> (T.29109)	2	F 1 1/8" Ø 20mm	290mm	
	D	<b>26/493-16</b> (AL.39023)	4		400 ⇄ 680mm	

(A) Para puentes en V / For swept-back front axle: 26/495-15 (AL.39022) Sustituye/ Repl. : 26/495-16  
26/493-15 (AL.39021) Sustituye/ Repl. : 26/493-16

Las referencias originales tienen un propósito identificativo.  
Nuestras piezas no son originales.

Part numbers are quoted for reference purposes only.  
Our parts and accessories are not original.





**RÓTULAS Y ACOPLES DE DIRECCIÓN**  
**STEERING LINKS & SOCKETS**

Ver página JD-78 para figuras y posiciones / See page JD-78 for figures & position

Tractores Tractors	Fig. Fig.		Posición Position	Rosca o Ø Thread or Ø	Longitud Length	Cono Cone
<b>TRACTORES CON DIRECCIÓN MANUAL</b> <b>2 WHEEL DRIVE TRACTORS WITH MANUAL STEERING</b>						
1830, 2030, 2130	J	<b>26/490-13</b> (AL.38636)	10		1025 ⇄ 1075mm	
	E	<b>26/495-17</b> (AL.37505, AL.27533, DE.16222)	5	Ø 22mm	330mm	
	F	<b>26/497-10</b> (AL.37504, AL.38645, AL.27532, DE.16221)	6	M 24D	105mm	
	G	<b>26/493-17</b> (AL.38637, AL.19726)	7		440 ⇄ 590mm	
1640, 1840, 2040, 2040S, 2140	J	<b>26/490-14</b> (AL.38638, DE.16223)	10		1130 ⇄ 1180mm	20/22mm
	E	<b>26/495-17</b> (AL.37505, AL.27533, DE.16222)	5	Ø 22mm	330mm	
	F	<b>26/497-10</b> (AL.37504, AL.38645, AL.27532, DE.16221)	6	M 24D	105mm	
	G	<b>26/493-17</b> (AL.38637, AL.19726)	7		440 ⇄ 590mm	
2250, 2450, 2650, 2850	J	<b>26/490-14</b> (AL.38638, DE.16223)	10		1130 ⇄ 1180mm	
	E	<b>26/495-17</b> (AL.37505, AL.27533, DE.16222)	5	Ø 22mm	330mm Ranuras inferiores Lower grooves	
	F	<b>26/497-10</b> (AL.37504, AL.38645, AL.27532, DE.16221)	6	M 24D	105mm	
	G	<b>26/493-17</b> (AL.38637, AL.19726)	7		440 ⇄ 590mm	
3120 ( ⇄ 075015)	I	<b>26/490-15</b> (AL.39026, AT.26382)	9		1310mm	17/19mm
	E	<b>26/495-18</b> (AL.39027, AT.31325)	5	Ø 20mm	370mm	
	F	<b>26/497-9</b> (AL.39029, AT.27132)	6	M 20D	100mm	
	G	<b>26/493-18</b> (AL.39037)	7		470 ⇄ 640mm	
3120 (075016 ⇄ ) 3030, 3130	J	<b>26/490-16</b> (AL.38641)	10		1300 ⇄ 1350mm	20/22mm
	E	<b>26/495-19</b> (AL.38646)	5	Ø 22mm	345mm Ranuras superiores Upper grooves	
	F	<b>26/497-10</b> (AL.38645, AL.37504, AL.27532, DE.16221)	6	M 24 D	105mm	

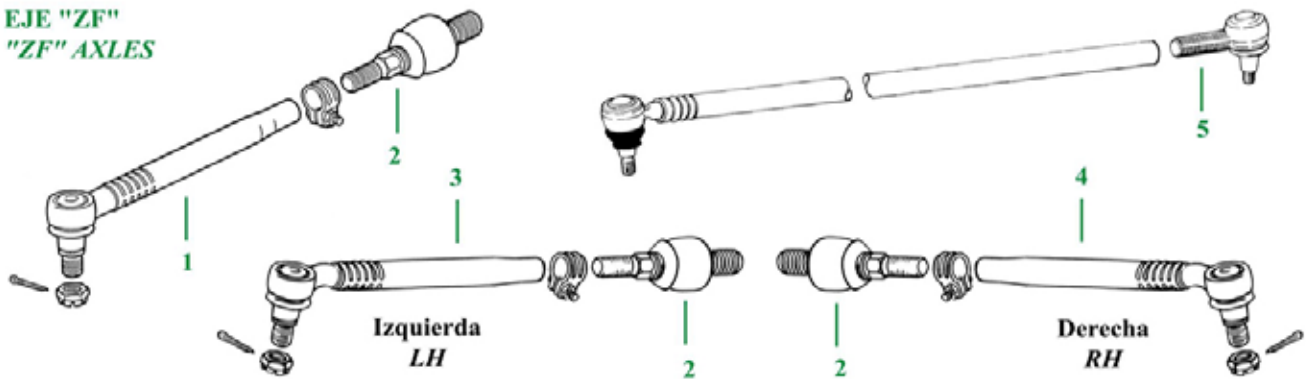
Las referencias originales tienen un propósito identificativo.  
 Nuestras piezas no son originales.

Part numbers are quoted for reference purposes only.  
 Our parts and accessories are not original.



## RÓTULAS Y ACOPLES DE DIRECCIÓN STEERING LINKS & SOCKETS

EJE "ZF"  
"ZF" AXLES



Tractores Tractors	Fig. Fig.	Ref. Ref.	Rosca o Ø Thread or Ø	Longitud Length	Cono Cone
<b>TRACTORES CON DOBLE TRACCIÓN Y DIRECCIÓN ASISTIDA 4 WHEEL DRIVE TRACTORS WITH POWER STEERING</b>					
1640, 1840, 2040, 2040S, 2250, 2450 Eje ZF - APL.315 / Axle 1550, 1750, 1850, 1950	1	26/495-45 (AL.39319)	F 18D	285mm	20/22mm
Eje ZF - APL.325 / Axle 2650, 2850 Eje ZF - APL.735 / Axle 2140	2	26/497-45 (AL.39320)	M 18D - M 20D	178mm	
Eje ZF - APL.345 / Axle 2140 (⇄ 024905) 3040, 3140 (⇄ 026316)	3	26/495-51 (AL.39315) (LH)	F 24D	315mm	23,5/25,5mm
	4	26/496-49 (AL.39318) (RH)	F 24D		
	2	26/497-46 (AL.60161, AL.39316)	M 24D - M 22D	210mm	
Eje ZF - APL.345 / Axle 2140 (024906 ⇄ ) 3040, 3140 (026317 ⇄ ) 3150DT, 3340DT, 3350DT, 6200DT, 6300DT, 6400DT	3	26/495-47 (LH) (AL.58013)	F 24D	290mm	23,5/25,5mm
	4	26/496-47 (RH) (AL.58014)	F 24D		
	2	26/497-46 (AL.60161)	M 24D - M 22D	210mm	
Eje ZF - APL.350 / Axle 3040, 3050, 3140, 3350, 3640, 3650	3	26/495-52 (LH) (AL.68254)	F 28D	275mm	23,5/25,5mm
	4	26/496-50 (AL.68255) (RH)			
	2	26/497-47 (AL.68253)	M 28D - M 24D	235mm	
Eje ZF - APL.1552 / Axle 2140, 3040, 3140	5	26/497-51 (AL.37523)	M 24D	115mm	23,5/25,5mm

**Nota :** M 18 D Rótula macho M18 rosca drcha. / Tie rod male M18 RH thread  
F 24 D Rótula hembra M24 rosca drcha. / Tie rod female M24 RH thread

Las referencias originales tienen un propósito identificativo.  
Nuestras piezas no son originales.

Part numbers are quoted for reference purposes only.  
Our parts and accessories are not original.



**"THE RELIABLE SERVICE"**



## RÓTULAS Y ACOPLES DE DIRECCIÓN STEERING LINKS & SOCKETS

### TRACTORES AMERICANOS US TRACTORS



Tractores Tractors	Fig. Fig.	Ref. Ref.	Rosca o Ø Thread or Ø	Longitud Length	Cono Cone
<b>RÓTULAS PARA TRACCIÓN SIMPLE - USA TIE RODS 2 WHEEL DRIVE - USA</b>					
4030, 4040, 4050, 4055, 4230, 4240, 4250, 4255, 4430, 4440, 4450, 4455	1	<b>26/497-52</b> (AR.63588, AH.75389)	7/8" UNF	105mm	11/16" x 13/16"
	2	<b>26/495-53</b> (AR.63592)	Ø 1"	410mm	11/16" x 13/16"
4630, 4640	1	<b>26/497-53</b> (AR.63590)	1" UNF	105mm	3/4" x 15/16"
	2	<b>26/495-54</b> (AR.63587)	Ø 1 1/8"	442mm	3/4" x 15/16"

## DIRECCIÓN HIDROSTÁTICA HYDROSTATIC STEERING

### REPUESTOS PARA RÓTULAS Y CILINDROS TIE ROD & CYLINDER SPARE PARTS

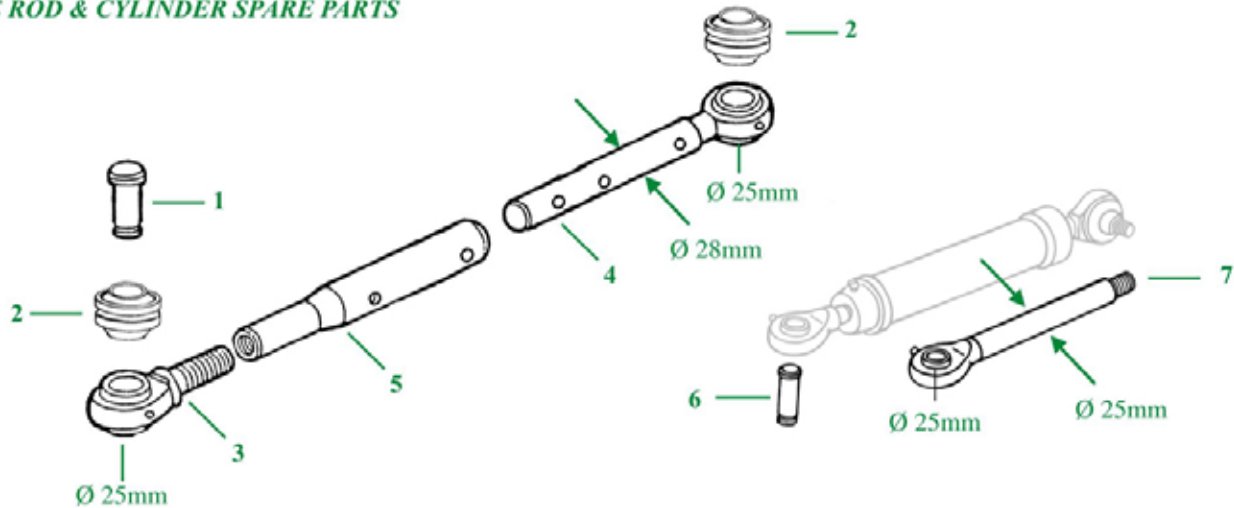


Fig.	1	2	3	4	5	6	7
Tractores Tractors	Bulón Pin	Buje Bush	Rótula Tie rod	Rótula Rod	Tubo Tube	Eje Axe	Rótula Rod
1640, 2040, 2040S, 2140, 3040, 3140, 3340	<b>26/577-2</b> (L.36086) Lg. : 67mm	<b>26/579-2F</b> Ht. 31mm	<b>26/579-2B</b> (AL.37193, AL.31497) M.24D	<b>26/579-2D</b> (AL.37194, AL.31498) Lg. : 615mm	<b>26/579-2C</b> (L.39807, L.34443)	<b>26/577-3</b> (L.36085) Lg. : 73mm	<b>26/581-17</b> (AL.33038) Lg. : 375mm
3050, 3350							
2250, 2450, 2650, 2850							

Las referencias originales tienen un propósito identificativo.  
Nuestras piezas no son originales.

Part numbers are quoted for reference purposes only.  
Our parts and accessories are not original.



**DIRECCIÓN MANUAL E HIDRÁULICA**  
**MANUAL & HYDRAULIC STEERING**

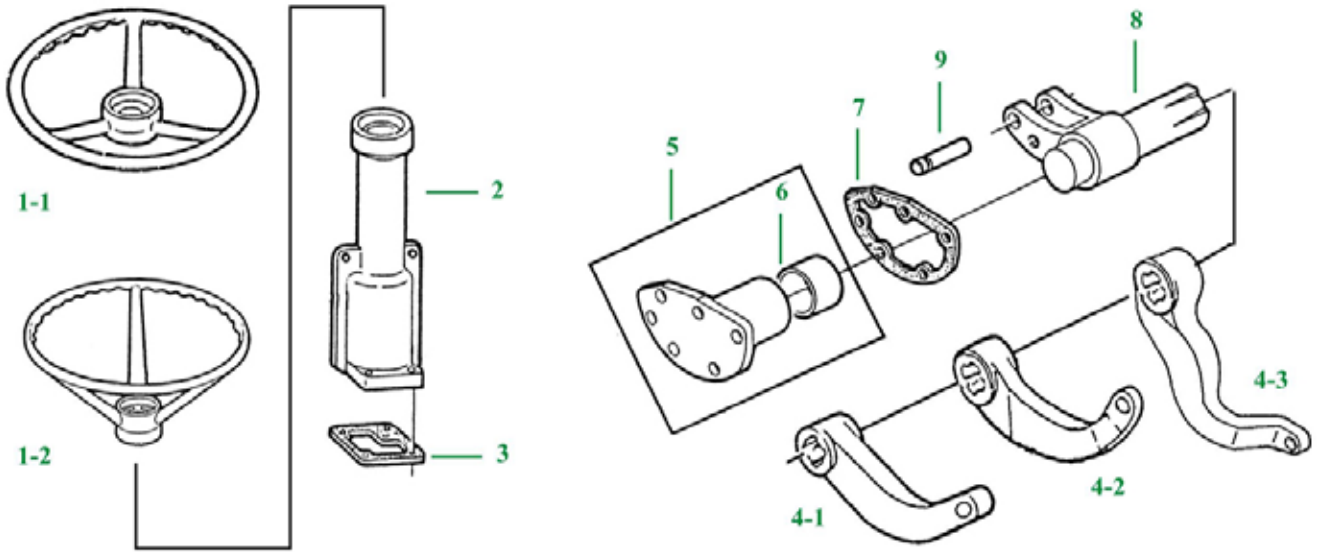


Fig.	1	2	3	4	
Tractores Tractors	Volante Steering wheel	Tapa carter Housing	Junta Gasket	Brazo Arm	Cono Cone
Series "20", "30", "40", "50"	<b>26/510-6</b> (T.22875, AL.28457) 1-1	<b>26/523-1</b> (R.52989, T.25294) (Dirección manual Manual steering)	<b>26/532-2</b> (T.21528)	<b>26/546-8</b> (T.28272, T.22525) 4-1	16,5 x 18,5mm
820, 840, 920, 930, 940, 1020, 1030, 1040, 1120, 1130, 1140, 1350, 1550, 1630, 1750, 1850, 2020, 2030, 2120, 3120				<b>26/546-9</b> (L.37327, L.33213, L.42080) 4-2	20 x 22mm
940, 1040, 1140, 1640, 1840, 2040, 2140	<b>26/510-7</b> (L.28988, AL.28458) 1-2	<b>26/546-10</b> (L.56578) 4-3			
2450, 2650, 2850		<b>26/523-2</b> (AL.31515, AL.70699, AT.23175) (Dirección hidráulica Hydraulic steering)			

Fig.	5	6	7	8	9
Tractores Tractors	Tapa Cover	Buje Bush	Junta Gasket	Eje Shaft	Pasador Pin
820, 920, 930, 940, 1020, 1030, 1040, 1130, 1140, 1350, 1550, 1630, 1640, 1750, 1830, 1840, 1850, 1950, 2020, 2030, 2040, 2040S, 2120, 2130, 2140, 2250, 2450, 2650, 2850, 3030, 3120, 3130	<b>26/540-4</b> (AT.20854, AT.46457, AT.54955, AL.30173, AL.40871)	<b>26/543-8</b> (T.21445, L.64265)	<b>26/541-3</b> (T.21527, L.35654, L.62423)	<b>26/535-10</b> (T.21546, L.42079) (Dirección hidráulica Hydraulic steering)  <b>26/535-11</b> (T.21866) (Dirección manual Manual steering)	<b>26/538-5B</b> (T.21722)

Las referencias originales tienen un propósito identificativo.  
 Nuestras piezas no son originales.

Part numbers are quoted for reference purposes only.  
 Our parts and accessories are not original.



**DIRECCIÓN HIDRÁULICA**  
**HYDRAULIC STEERING**

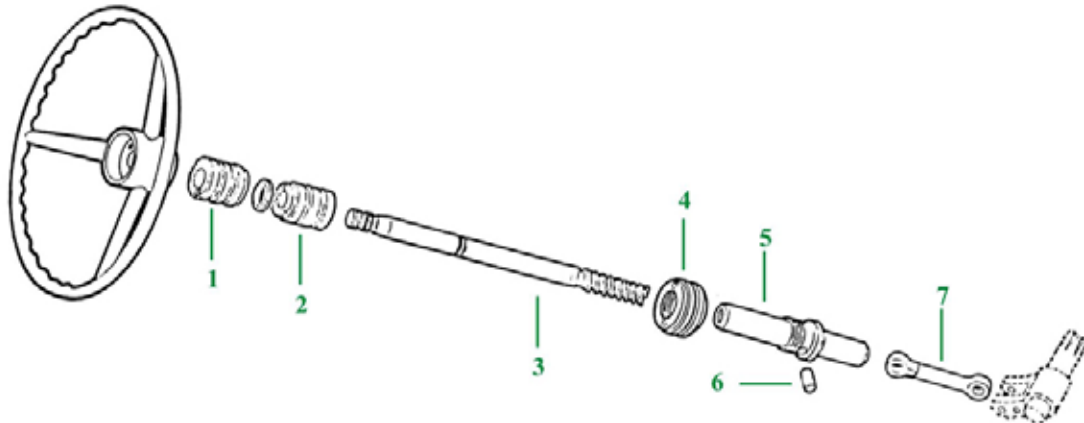
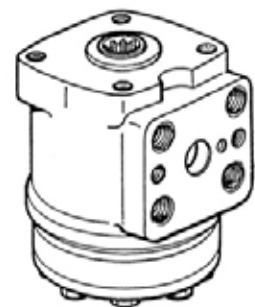


Fig.	1	2	3	4	5	6	7
Tractores Tractors	Válvula Valve		Eje Shaft	Pistón Piston	Eje Shaft	Bulón Pin	Eslabón Link
930							
940, 1020, 1030, 1040, 1130, 1140, 1550, 1630, 1640, 1750, 1830, 1840, 1850, 1950, 2020, 2030, 2040, 2120, 2130			26/530-15 (L.29199) Lg. : 350mm				
2140 (España/Spain)	26/534-2 (AL.26312, AT.28055)	26/534-1 (AL.26311, AT.25490)	26/530-17 (CE.14750) Lg. : 400mm	26/542-1 (R.57292, T.25325)	26/538-5 (T.25323)	26/538-5A (T.21655)	26/539-1 (T.25324, L.35639)
2250			26/530-18 (L.58482) Lg. : 450mm				
2450, 2650, 2850							
3030, 3120, 3130							
3135 (España/Spain)			26/530-16 (CE.13928) Lg. : 540mm				

**DIRECCIÓN HIDROSTÁTICA**  
**HYDROSTATIC STEERING**

**SISTEMA "ORBITROL" SYSTEM**

Tractores Tractors	Unidad de dirección Steering unit	Unidad de dirección Steering unit
	OSPB 100CN 150-0173	OSPB 160CN 150-0175
1640, 2040	26/560-3 (AL.55954)	
2040S, 2140, 3040, 3140, 3340 (España/Spain), 2940 (USA/US)	26/560-3 (AL.55954) (A)	26/560-4 (AL.55956) (B)



(A) OSPC 100cc Tractores sin hidráulico auxiliar / tractors without auxiliary hydraulics  
(B) OSPC 125cc Tractores con hidráulico auxiliar / tractors with auxiliary hydraulics

Las referencias originales tienen un propósito identificativo.  
Nuestras piezas no son originales.

Part numbers are quoted for reference purposes only.  
Our parts and accessories are not original.



**TUBERÍAS DE LA BOMBA HIDRÁULICA**  
**HYDRAULIC PUMP DRIVES**

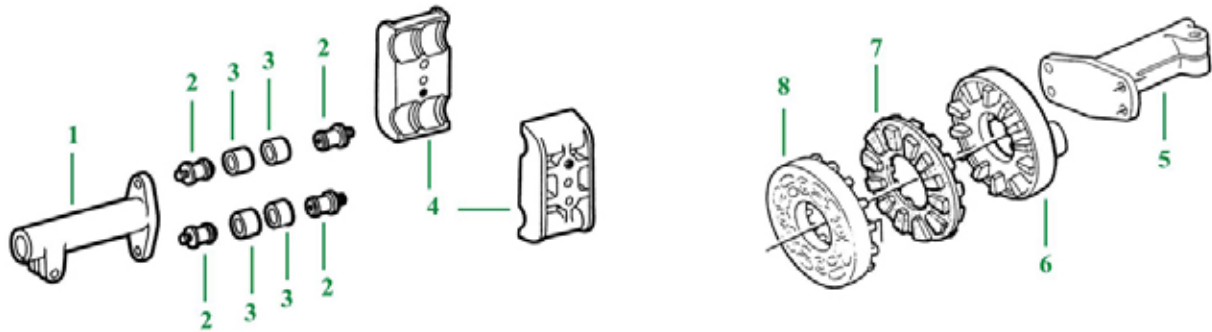


Fig.	1	2	3	4
<b>Tractores</b> <i>Tractors</i>	<b>Conducto</b> <i>Drive</i>	<b>Tornillo</b> <i>Bolt</i>	<b>Casquillo</b> <i>Bush</i>	<b>Palier</b> <i>Flange</i>
830, 930, 1020, 1030, 1130, 1830, 2020, 2030, 2120, 2130, 3020, 3030, 3120, 3130 (311079 ⇄)	<b>26/6632-1</b> (L.32862, T.22914) Lg. : 124mm	<b>26/6632-1A</b> (R.34360)	<b>26/6633-1</b> (AR.49427) Jeu de 4 <i>Set 4</i>	<b>26/6634-1</b> (R.38348)
3030, 3120, 3130 (⇄ 311078)	<b>26/6632-2</b> (T.28263) Lg. : 166mm			

Fig.	5	6	7	8
<b>Tractores</b> <i>Tractors</i>	<b>Conducto</b> <i>Drive</i>	<b>Pestaña frontal</b> <i>Front flange</i>	<b>Flector</b> <i>Cushion</i>	<b>Pestaña posterior</b> <i>Rear flange</i>
1640, 1840, 2040, 2140, 2250, 2450, 2650, 2850	<b>26/6632-3</b> (L.34572) Lg. : 198mm	<b>26/6639-1</b> (L.34432)	<b>26/6638-1</b> (T.58196, R.78202)	<b>26/6637-1</b> (L.34569)
1350, 1550, 1750, 1850	<b>26/6632-4</b> (L.62258) Lg. : 114mm			
3050, 3150, 3350, 3650	<b>26/6632-5</b> (L.42187) Lg. : 250mm			
Otros Modelos/ <i>Other models</i> Series 40 & 50 <i>Series</i>		<b>26/6639-1</b> (L.34432)	<b>26/6638-1</b> (T.58196, R.78202)	<b>26/6637-1</b> (L.34569)

**ACOPLAMIENTOS HIDRÁULICOS**  
**HYDRAULIC COUPLINGS**

**ACOPLAMIENTO RÁPIDO**  
**QUICK RELEASE**



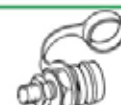
**26/907-2**  
(AL.26971)  
3/4" UNF  
Macho / Male



**26/908-2**  
(AL.26972)  
3/4" UNF  
Hembra / Female

830, 840, 930, 940, 1020, 1030, 1040,  
1120, 1130, 1140, 1350, 1550, 1630,  
1640, 1750, 1830, 1840, 1850, 1850N,  
1950, 1950N, 2020, 2030, 2040,  
2040S, 2120, 2130, 2140, 2250, 2450,  
2650, 2650N, 2850, 3020, 3030, 3040,  
3050, 3120, 3130, 3140, 3350, 3640,  
3650, 4040, 4040S

**FRENO**  
**TRAILER BRAKE**



**26/905-3**  
(AR.52372)  
M18  
Macho / Male



**26/906-4**  
(AR.52361)  
M18  
Hembra / Female

Las referencias originales tienen un propósito identificativo.  
 Nuestras piezas no son originales.

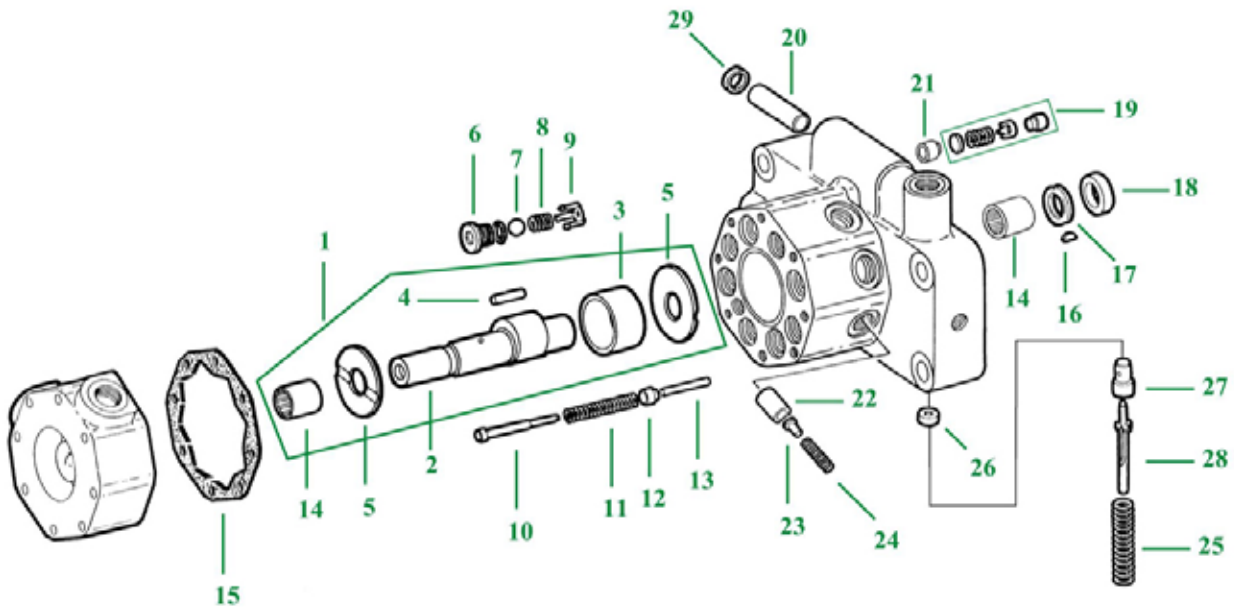
Part numbers are quoted for reference purposes only.  
 Our parts and accessories are not original.



## BOMBAS HIDRÁULICAS HYDRAULIC PUMPS

Estas piezas se utilizan en las bombas de 11,3 cm<sup>3</sup>, 12 cm<sup>3</sup>, 22,6 cm<sup>3</sup>, & 23 cm<sup>3</sup> (AR.39167, AR.103035, AR.39168 & AR.103036)

These parts fit all 11,3 cm<sup>3</sup>, 12 cm<sup>3</sup>, 22,6 cm<sup>3</sup>, and 23 cm<sup>3</sup> pumps (AR.39167, AR.103035, AR.39168 & AR.103036)



830, 840, 930, 940, 1020, 1030, 1040, 1120, 1130, 1140, 1350, 1550, 1630, 1640, 1750, 1830, 1840, 1850, 1950, 2020, 2030, 2040, 2040S, 2120, 2130, 2140, 2250, 2450, 2650, 2850, 3030, 3040, 3050, 3120, 3130, 3140, 3150, 3340, 3350, 3640, 3640S, 3650

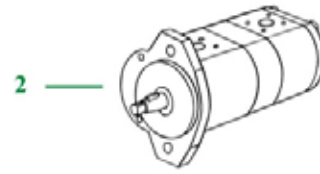
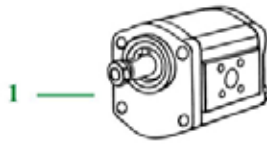
Fig. Fig.	Ref. Ref.	Descripción Description	Fig. Fig.	Ref. Ref.	Descripción Description	Fig. Fig.	Ref. Ref.	Descripción Description
1	26/608-6 (AL.35755)	Juego 2, 3, 4 (x33), 5 (x2), 14 (x2)	10	26/6629-1 (R.39181)	Guía	20	26/6616-1 (R.27173)	Filtro Filter
	26/608-5 (B.60805)	Juego 2, 5 (x2), 14 (x2), 16, 17, 18	11	26/6630-1 (R.68390, R.31630)	Muelle Spring	21	26/6617-1 (R.39067, R.105583)	Asiento Seat
2	26/611-3 (R.39319)	Eje Shaft	12	26/6640-1 (R.39180)	Asiento Seat	22	26/6618-1 (R.63022, R.39068)	Pistón Piston
3	26/6623-1 (R.63629, R.39017)	Buje Bushing	13	26/6641-1 (R.39179)	Pasador Pin	23	26/6621-1 (R.39070)	Guía Guide
4	26/6622-1 (R.39073)	Pasador Roller	14	26/618-2 (JD.9858)	Cojinete Needle bearing	24	26/6619-1 (AR.39041)	Muelles (Juego 8) Springs (Set 8)
5	26/612-1 (R.66164, R.39016)	Arandela Washer	15	26/6613-1 (R.59234, R.39178, L.62442)	Junta Gasket	25	26/6611-1 (R.39240)	Muelle Spring
6	26/6624-1 (R.68553, R.39075)	Asiento Seat	16	26/623-1 (26H77)	Eje Shaft key	26	26/6612-1 (R.72936, R.38041)	Asiento Seat
7	26/418-2 (D.2361R)	Bola Ball	17	26/619-1 (R.39182, R.63605)	Anillo Ring	27	26/615-6 (R.68384, R.40756)	Válvula Valve
8	26/6625-1 (R.39078)	Muelle Spring	18	26/613-1 (AR.39052)	Retén Seal	28	26/6610-1 (R.76167, R.68383, R.39242)	Guía Guide
9	26/6626-1 (R.39076)	Retén seguridad Retainer	19	26/6642-1 (AR.96613, AR.52785, RE.23382)	Válvula Valve	29	26/6615-1 (R.27174)	Arandela Washer

Las referencias originales tienen un propósito identificativo.  
Nuestras piezas no son originales.

Part numbers are quoted for reference purposes only.  
Our parts and accessories are not original.



## BOMBAS HIDRÁULICAS HYDRAULIC PUMPS



Tractores Tractors	Fig. Fig.	Bomba Pump	Bosch N°	OEM N°	Flujo c.c. Flow cc	Comentarios Remarks
500, 510, 700, 710	1	69/565-4 (BH415.311)	0.510.415.311	AL.10681, AL.16301, AL.37753	8	Sin dirección asistida Less power steering
		69/565-5 (BH515.310)	0.510.515.310	AL.15149	11	Con dirección asistida With power steering
		69/565-6 (BH615.314)	0.510.615.314	AL.16963, AL.37752	16	
3100, 3200, 3300, 3400 3200X, 3300X, 3400X	2	69/565-7 (BH765.347)	0.510.765.347	RT.7700036171	22,5 + 11	

## TUBERÍAS DEL HIDRÁULICO HYDRAULIC PIPES

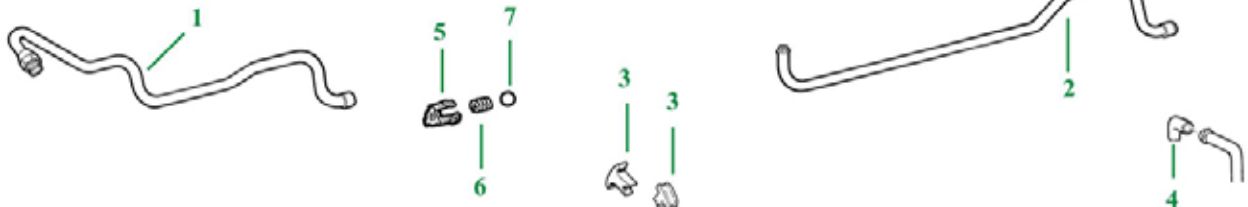


Fig.	1	2	3	4	5	6	7
Tractores Tractors	Tubo Pipe		Fijación Clamp	Manguito Hose	Retén seguridad Retainer	Muelle Spring	Bola Ball
1830, 2020, 2030, 2120, 2130	26/6627-3 (AT.22199, AL.30013)	26/6627-4 (AT.22143, AL.28957)	26/6627-3A (R.49076)	26/6628-1 (T.22960, L.35844)	26/6626-1 (R.39076)	26/6625-1 (R.39078)	26/418-2 (D.2361R) 1/2"
830, 930, 1020, 1030, 1120, 1130, 1630, 3030, 3120, 3130							
840, 940, 1040, 1140, 1350, 1550, 1630, 1750, 1850, 1950, 2250, 2450, 2650, 2850							
3150, 3340, 3350, 3640, 3650							

Las referencias originales tienen un propósito identificativo.  
Nuestras piezas no son originales.

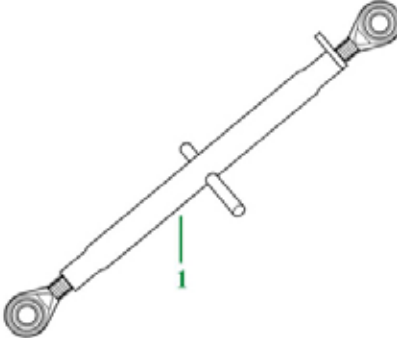
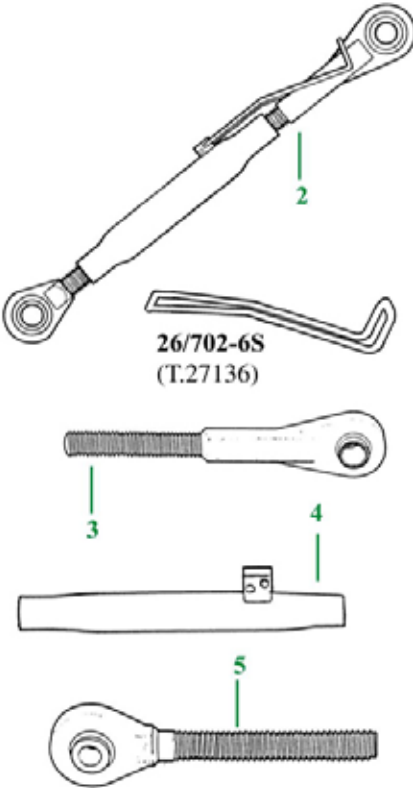
Part numbers are quoted for reference purposes only.  
Our parts and accessories are not original.



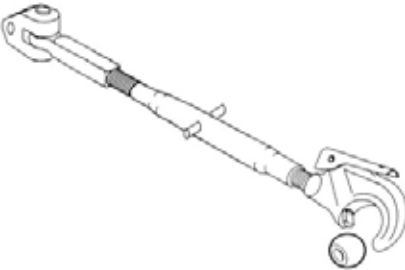


**TERCEROS PUNTOS**  
**TOP LINKS**

830, 920, 930, 940, 1020, 1030, 1040, 1120, 1130, 1140, 1550, 1630, 1640, 1750, 1830, 1840, 1850, 1950, 1950N, 2020, 2030, 2040, 2040S, 2120, 2130, 2140, 2250, 2450, 2650, 2850

	<b>26/1101-10</b> (JD.4182K)  <b>1</b>	Tercer punto (versión económica) L. : 570/860mm. Rosca : 1 1/8 UNC Rótulas: Ø 20mm lateral tractor y Ø 25.4 implemento lateral <i>Economy top link. Lg. : 570/860mm. Thread : 1 1/8 UNC</i> Ball ends : Ø 20mm tractor side and Ø 1" implement side
	<b>26/1101-11</b> (JD.4183K)  <b>1</b>	Tercer punto (versión económica) L. : 670/950mm. Rosca : 1 1/8 UNC Rótulas: Ø 20mm lateral tractor y Ø 25.4 implemento lateral <i>Economy top link. Lg. : 670/950mm. Thread : 1 1/8 UNC</i> Ball ends : Ø 20mm tractor side and Ø 1" implement side
	<b>26/700-13</b> (AL.39170)  <b>2</b>	Tercer punto normal L. : 545/790mm. Rosca : 1 1/8 UNC Rótulas: Ø 20mm lateral tractor y Ø 25.4 implemento lateral <i>Regular top link. Lg. : 545/790mm. Thread : 1 1/8 UNC</i> Ball ends : Ø 20mm tractor side and Ø 1" implement side
	<b>26/700-15</b> (JD.18135/L, AL.67290)  <b>2</b>	Tercer punto extra-largo L. : 645/890mm. Rosca : 1 1/8 UNC Rótulas: Ø 20mm lateral tractor y Ø 25.4 implemento lateral <i>Increased length top link</i> Lg. : 645/890mm. Thread : 1 1/8 UNC Ball ends : Ø 20mm tractor side and Ø 1" implement side
	<b>26/701-6</b> (AL.18136, AL.39171)  <b>3</b>	Rótula drcha. Ø 25.4mm en implemento lateral Ball end RH Ø 1" implement side
	<b>26/702-6</b> (AL.18135)  <b>4</b>	Tubo para 26/700-13 L. : 330mm. Rosca : 1 1/8 UNC Tube for 26/700-13. Lg. : 330mm. Thread : 1 1/8 UNC
	<b>26/703-6</b> (AT.23759, AL.39172)  <b>5</b>	Rótula izq. Ø 20 mm lateral tractor Ball end LH Ø 20mm tractor side

2250, 2450, 2650, 2850, ...

	<b>26/700-16</b> (26/31208HD, AL.68208, AL.69586)	Tercer punto reforzado Charnela: lado tractor Ø 20mm. Largo: 52mm Enganche con bola (Cat 2/3) para implementos laterales L. : 610/880mm. Rosca : 36 x 3mm <i>Heavy duty top link</i> Ø 20mm toggle joint on tractor side. Width : 52mm Hook with ball joint (Cat. 2/3) on implement side Lg. : 610/880mm. Thread : 36 x 3mm
---	--	--

Las referencias originales tienen un propósito identificativo.  
 Nuestras piezas no son originales.

Part numbers are quoted for reference purposes only.  
 Our parts and accessories are not original.



**TERCEROS PUNTOS  
 TOP LINKS**

3030, 3040, 3050, 3120, 3130, 3140, 3350

	<b>26/700-14</b> (AT.31303)  <b>1</b>	Tercer punto con enganche automático (sin bola) L. : 560/820mm. Rosca: 1 1/4" UNC <i>Top link with hook (less ball)</i> Lg. : 560/820mm. Thread : 1 1/4" UNC
	<b>26/700-14E</b> (26/31207EC)  <b>2</b>	Tercer punto (versión económica) Rótula: Ø 1" (Cat. 2) lateral del tractor L. : 560/820mm. Rosca: 1 1/4" UNC <i>Economy top link</i> Ball joint : Ø 1" (Cat. 2) on the tractor side Lg. : 550/820mm. Thread : 1 1/4" UNC
	<b>26/701-7</b> (T.32196)  <b>3</b>	Enganche (drcha.) para 26/700-14 (sin bola). Rosca: 1 1/4" <i>Hook (RH) for 26/700-14 (less ball). Thread : 1 1/4" UNC</i>
	<b>26/709-1</b> (ATX.25R, F.2681R)  <b>4</b>	Bola para 26/700-14. Ø 25,4mm <i>Ball for 26/700-14. Ø 25,4mm</i>
	<b>26/703-7</b> (T.32078)  <b>5</b>	Acoplamiento (drcha.), rosca: 1 1/4" UNC <i>Link (LH). Thread : 1 1/4" UNC</i>
	<b>26/707-1</b> (T.28353)  <b>6</b>	Eslabón <i>Knuckle</i>
	<b>26/704-9</b> (AR.3769R, L.28281)  <b>7</b>	Pasador <i>Pin</i>
	<b>26/700-14S</b> (T.32077)  <b>8</b>	Muelle con enganche <i>Spring clip</i>

3640, 3650, 4040, 4240, series "6000", "55" Series USA

	<b>26/700-17</b> (ATX.250/004, AL.39353, AL.59997)	Tercer punto reforzado Charnela: lado tractor Ø 31,8mm. Anchura: 52mm. Enganche con bola Ø 1 1/4" (Cat 3) para implementos laterales. L. : 590/850mm. Rosca : 36 x 3mm <i>Heavy duty top link</i> Ø 1 1/4" toggle joint on tractor side. Width : 52mm Hook with ball joint Ø 1 1/4" (Cat. 3) on implement side Lg. : 590/850mm. Thread : 36 x 3mm
	<b>26/700-17E</b> (ATX.250/008)	Tercer punto (versión económica) Charnela: lado tractor Ø 31,8mm. Largo: 52mm. Rótula: Ø 31,8 mm en el implemento lateral L. : 540/800mm. Rosca : 36 x 3mm <i>Economy top link</i> Ø 31,8mm (Cat. 3) toggle joint on tractor side Width : 52mm Tie rod : Ø 31,8mm on implement side Lg. : 540/800mm. Thread : 36 x 3mm

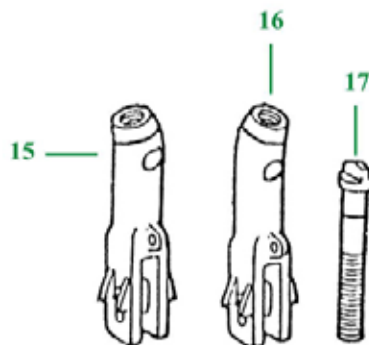
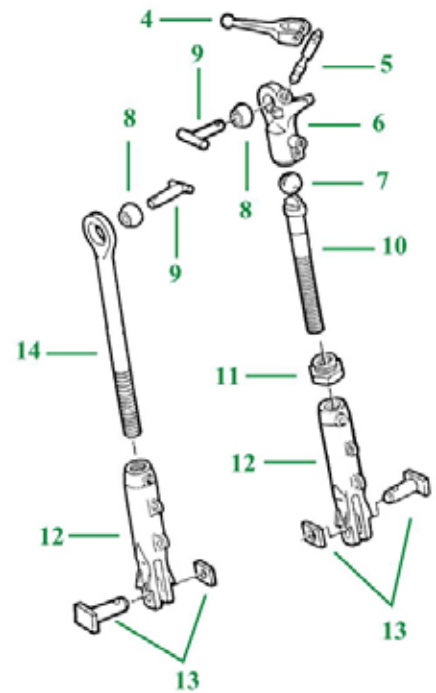
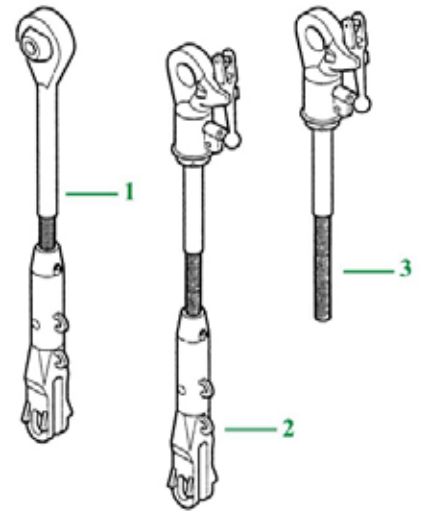
Las referencias originales tienen un propósito identificativo.  
 Nuestras piezas no son originales.

Part numbers are quoted for reference purposes only.  
 Our parts and accessories are not original.



## HORQUILLA NIVELADORA LEVELLING ROD ASSEMBLIES

Tractores Tractors	Fig. Fig.	Ref. Ref.	Descripción Description
820, 830, 840, 920, 930, 940, 1020, 1030, 1040, 1120, 1130, 1140, 1350, 1550, 1630, 1640, 1750, 1830, 1840, 1850, 1950, 2020, 2030, 2040, 2040S, 2120, 2130, 2140 (Sin brazos telescopicos inferiores with non telescopic lower arms)	1	26/760-24	Rótula completa izd. Sustitución económica Levelling rod ass. LH Economy replacement
	2	26/760-23	Rótula completa drcha Sustitución económica Levelling rod ass. RH Economy replacement
	3	26/760-23A	Mitad caja niveladora completa (drcha) Sustitución económica Half levelling box ass. RH Economy replacement
	4	26/768-3 (T.21559)	Asidor Handle
	5	26/764-2 (T.21558)	Eje Shaft
	6	26/766-4 (L.28374, L.33535)	Tapa carter Housing
	7	26/767-3 (T.22399)	Bola Ball
	8	26/757-3 (T.21901)	Bola Ball
	9	26/758-5 (AT.21754)	Bulón Ø 19mm Pin Ø 3/4"
	10	26/761-13 (T.25823)	Rótula Lg. : 408mm Ø 7/8" Rod Lg. : 408mm Ø 7/8"
	11	26/756-1 (T.21758)	Tuerca Nut
	12	26/762-200 (R.48595)	Horquilla Fork
	13	26/758-4 (AR.55695, T.22714 + 2x T.21759)	Pasador + 2 platos Pin + 2 plates
	14	26/759-15 (L.28372, T.25822)	Rótula Lg. : 470mm Ø 7/8" Rod Lg. : 470mm Ø 7/8"



Tractores Tractors	Fig. Fig.	Ref. Ref.	Descripción Description
Tractores estrechos Narrow tractors	15	26/762-16	Horquilla (izq.) Fork LH
	16	26/762-15	Horquilla (drcha.) Fork RH
	17	26/761-16 (T.30274)	Rótula Lg. : 203mm Ø 24mm Rod Lg. : 203mm Ø 24mm

Otras piezas: ítems 4, 5, 6, 7, 8, 9, 11, 13 acoplamiento estándar  
Other parts : see items 4, 5, 6, 7, 8, 9, 11, 13 of the standard linkage

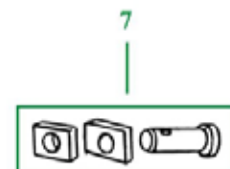
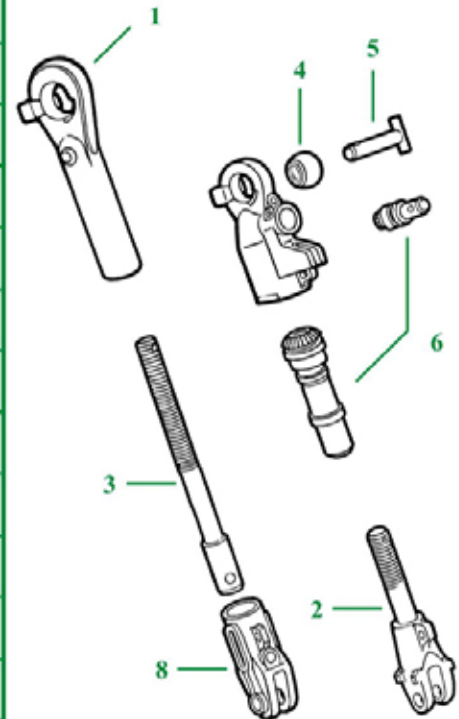
Las referencias originales tienen un propósito identificativo.  
Nuestras piezas no son originales.

Part numbers are quoted for reference purposes only.  
Our parts and accessories are not original.



## HORQUILLA NIVELADORA LEVELLING ROD ASSEMBLIES

Tracteurs Tractors	Fig. Fig.	Ref. Ref.	Descripción Description
Rosca/Thread 7/8"  940, 1030, 1130, 1140, 1550, 1630, 1640, 1750, 1850, 1950, 2030, 2040, 2040S, 2140, 2250, 2450, 2650, 2850 (Con cabina MC1 o SG2 with MC1 or SG2 cab)	1	26/759-17 (L.33539)	Acople elevador Lift link end
	4	26/757-3 (T.21901)	Bola Ball
	5	26/758-5 (AT.21754)	Bulón Pin
	7	26/758-4 (AR.55695)	Bulón + 2 platos Pin + 2 plates
Rosca/Thread 1 1/8"  2040S, 2140, 2650, 2850 Sin cabina JD original Less original JD cab	1	26/759-18 (L.42056)	Acople elevador Lift link end
	4	26/757-3 (T.21901)	Bola Ball
	5	26/758-5 (AT.21754)	Bulón Pin
	7	26/758-4 (AR.55695)	Bulón + 2 platos Pin + 2 plates
Rosca/Thread 1"  3120, 3130, 3140, 3340 Sin cabina JD original Less original JD cab	1	26/759-16 (L.33536, T.31133)	Acople elevador Lift link end
	2	26/762-13 (AT.26424)	Horquilla Izq o drcha Fork LH or RH
	4	26/757-3 (T.21901)	Bola Ball
	5	26/758-5 (AT.21754)	Bulón Pin
	7	26/758-4 (AR.55695)	Bulón + 2 platos Pin + 2 plates
Rosca/Thread 1 1/8"  3030, 3040, 3050, 3130, 3140, 3150, 3340, 3350 Sin cabina JD original Less original JD cab	1	26/759-19 (L.33534)	Acople elevador Lift link end
	2	26/762-12 (AL.19647)	Horquilla Fork
	3	26/761-14 (AL.23422)	Eje Shaft
	4	26/757-3 (T.21901)	Bola Ball
	5	26/758-5 (AT.21754)	Bulón Pin
	6	26/767-2K (L.28273, AL.33494)	Juego de engranajes Gear set
	7	26/758-4 (AR.55695)	Bulón + 2 platos Pin + 2 plates
	8	26/762-14 (L.28930)	Horquilla Fork
Rosca/Thread 1 1/4"  3050, 3350, 3640, 3650 Sin cabina JD original Less original JD cab	1	26/759-20 (L.41144)	Acople elevador Lift link end
	3	26/761-17 (L.55789)	Eje Shaft
	4	26/757-3 (T.21901)	Bola Ball
	5	26/758-5 (AT.21754)	Bulón Pin
	7	26/758-4 (AR.55695)	Bulón + 2 platos Pin + 2 plates



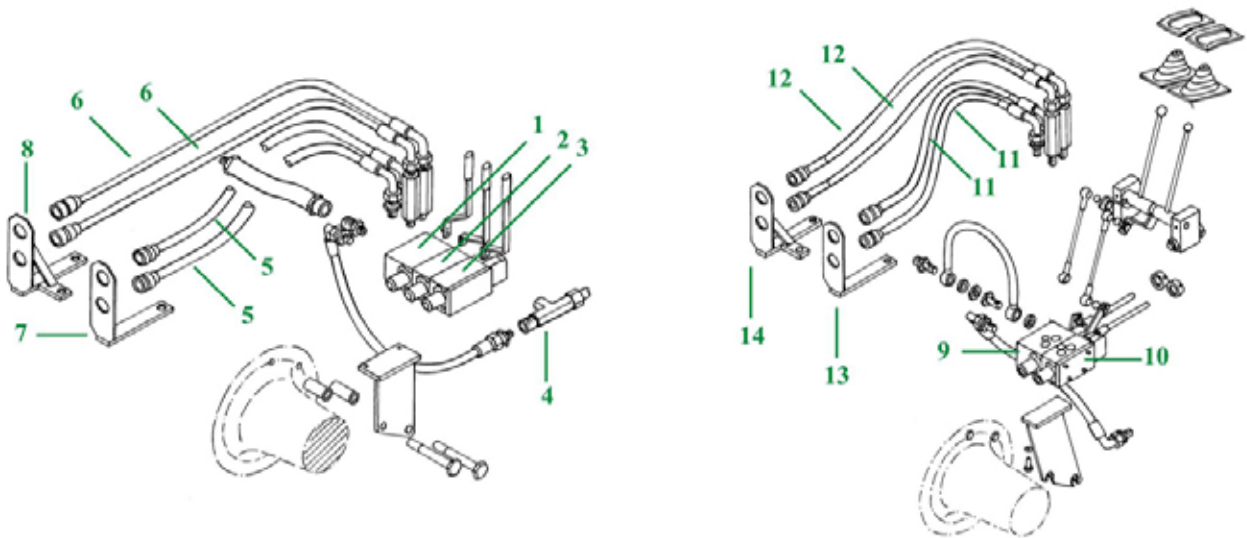
Las referencias originales tienen un propósito identificativo.  
 Nuestras piezas no son originales.

Part numbers are quoted for reference purposes only.  
 Our parts and accessories are not original.



## TUBERÍAS HIDRÁULICAS "TILL" "TILL" HYDRAULIC VALVES

Estas válvulas están especialmente diseñadas para tractores "John Deere" con sistema hidráulico con centro cerrado. Pueden ser fácilmente cambiadas de la posición simple efecto a doble efecto posición "A" y posición "A" y "B" respectivamente). Las palancas de control pueden ser colocadas en posición de retorno automático o en 3 posiciones diferentes. Estas válvulas están preparadas para ser montadas en el cuerpo del tractor (posición interface). Estos robustos y bien sellados distribuidores consisten en una válvula básica. El número de elementos puede variar de 1 a 3.



*These valves are specially tailored to suit the "John Deere" closed center hydraulic system. They can be easily switched to the single acting position (Port "A") or to the double acting position (Port "A" and "B"). The operating levers can be quickly displayed on automatic return or in 3 positions range. These valves are ready to fit on the interface position on the tractor body. They are robust and fit perfectly. Two additional slices can be fitted on.*

Fig.	1	2	3	4	5	6	7	8
Tractores Tractors	Válvula básica Basic valve	Parte complementaria Add. slice	Adaptador Adapter	Acople y juego de tuberías Coupler & pipe assembly		Fijación Bracket		
820, 830, 920, 930 Con sistema hidráulico con cierre centralizado With hydr. closed center system, 1020, 1030, 1120, 1130, 1630, 2020, 2030, 2120, 2130, 3130	26/7600-1 (JD.128) (A)	26/7601-1 (JD.128Z1) (B)	26/7602-1 (JD.128Z2) (B)	26/7603-1 (JD.136A) JIC 3/4"	26/7604-1 (JD.130)	26/7605-1 (JD.131)	26/7606-1 (JD.133)	26/7607-1 (JD.134)
840, 3140				26/7603-2 (JD.136B) JIC 7/8"				

Fig.	9	10	11	12	13	14
Tracteurs Tractors	Válvula básica Basic valve	Parte complementaria Add. slice	Acople y juego de tuberías Coupler & pipe assembly		Fijación Bracket	
1640, 2030, 2040, 2130, 2140 Cabina P.P.I / P.P.I. cab	26/7600-2 (JD.129)(A)	26/7601-2 (JD.129Z3) (B)	26/7604-2 (JD.234)	26/7605-2 (JD.235)	26/7606-1 (JD.133)	26/7607-1 (JD.134)
3030, 3040, 3130, 3140	26/7600-3 (JD.132)(A)					
1640, 2040, 2140 & serie 50 Cabina SG.2 / SG.2 cab	26/7600-4 (JD.181)(A)					

(A) Con kit adaptador / With adapter set

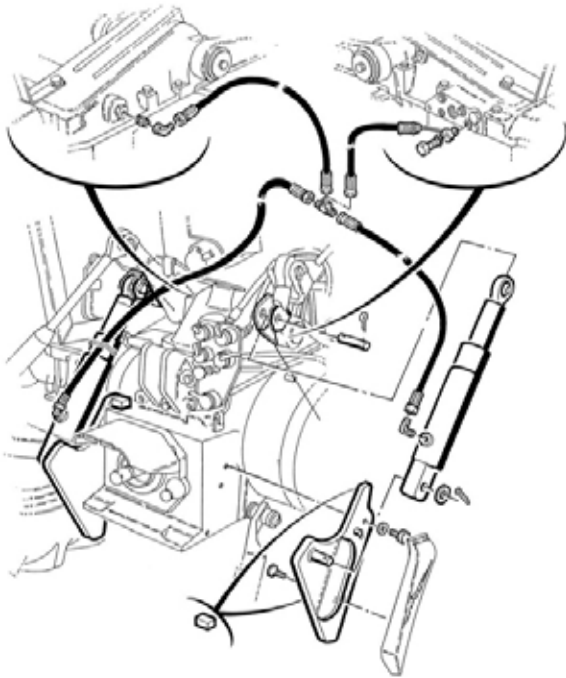
(B) No se adapta a las válvulas originales / Does not fit the OEM distributors

Las referencias originales tienen un propósito identificativo.  
Nuestras piezas no son originales.

Part numbers are quoted for reference purposes only.  
Our parts and accessories are not original.



## ELEVADOR HIDRÁULICO HYDRAULIC LIFT



### JUEGO ADICIONAL PARA EL LEVANTE HIDRÁULICO (RAM) ADDITIONAL HYD. LIFT RAM KITS

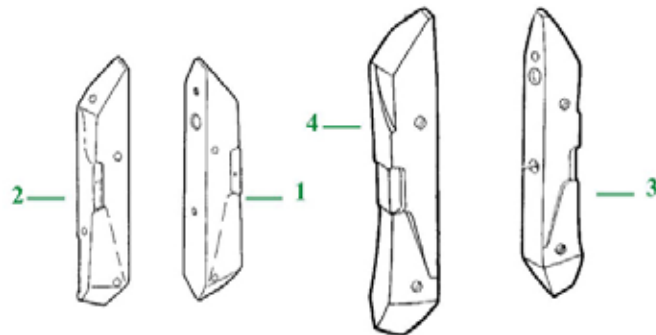
**26/770-1** 1020, 1030, 1040, 1120, 1130, 1140, 1630, 1640,  
 1750, 1850, 2020, 2030, 2040, 2040S, 2120, 2130,  
 2140, 2250, 2450, 2650, 2850

**26/770-2** 3030, 3040, 3050, 3130, 3140

Para algunos modelos recientes, no hay agujero para la colocación del hidráulico y es necesario adaptarlo (consultarnos).

*On some recent models, there is no hole for hydraulic fitment and it is necessary to make an adaptation (Please ask).*

## BARRAS ESTABILIZADORAS SWAY BLOCKS



1	<b>26/771-1</b> (T.30276)	RH	820, 830, 940, 1020, 1030, 1040, 1120, 1130, 1140, 1350, 1630, 1640, 1750, 1830, 1850, 1950, 2020, 2040, 2040S, 2120, 2130, 2240, 2250, 2350, 2550, 2750, 2850
2	<b>26/771-2</b> (T.30277)	LH	820, 830, 940, 1020, 1030, 1040, 1120, 1130, 1140, 1350, 1630, 1640, 1750, 1830, 1850, 1950, 2020, 2040, 2040S, 2120, 2130, 2240, 2250, 2350, 2550, 2750, 2850
3	<b>26/771-3</b> (R.54472)	RH	2840, 2940, 2950, 3030, 3050 (1er Versión / 1 <sup>st</sup> version), 3130, 3350 (1er Versión / 1 <sup>st</sup> version)
4	<b>26/771-4</b> (R.54473)	LH	2840, 2940, 2950, 3030, 3050 (1er Versión / 1 <sup>st</sup> version), 3130, 3350 (1er Versión / 1 <sup>st</sup> version)

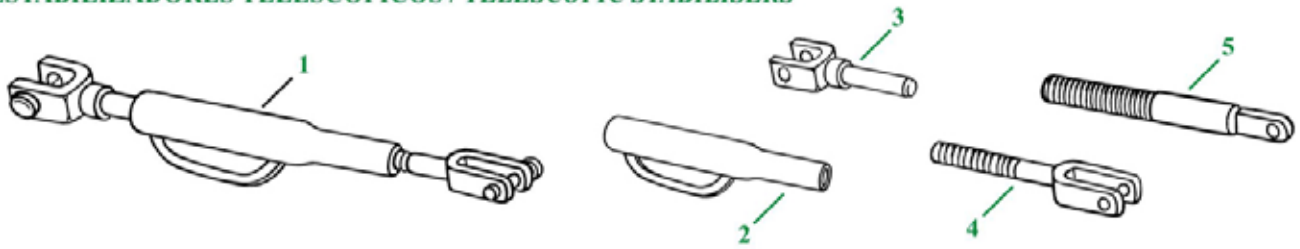
Las referencias originales tienen un propósito identificativo.  
 Nuestras piezas no son originales.

Part numbers are quoted for reference purposes only.  
 Our parts and accessories are not original.



## ESTABILIZADORES STABILISERS

### ESTABILIZADORES TELESCÓPICOS / TELESCOPIC STABILISERS



Solo tractores españoles/ Spanish tractors only

Fig.	1	2	3	4	5
<b>Tractores Tractors</b>	<b>Estabilizador Stabiliser</b>	<b>Tubo Tube</b>	<b>Yugo Yoke</b>		<b>Rótula Rod</b>
940, 1040, 1140, 1640, 1840, 1850, 1950, 2040, 2040S, 2140, 2450, 2650, 2850	<b>26/740-13</b> (DE.16389)	<b>26/744-5</b> (DE.16167) Lg. : 290mm	<b>26/743-7</b> (DE.15972)	<b>26/746-4</b> (DE.16390)	<b>26/746-6</b> (EC.16391)
3140, 3340, 3150, 3350	<b>26/740-14</b> (DE.15970)	<b>26/744-6</b> (DE.15971) Lg. : 505mm		<b>26/746-5</b> (DE.15973)	

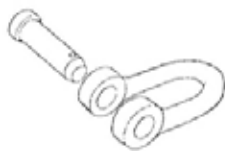
### CADENA ESTABILIZADORA / CHAIN STABILISER

**26/740-10**  
 (L.62236+L.31089  
 +L.62237+L.62240)

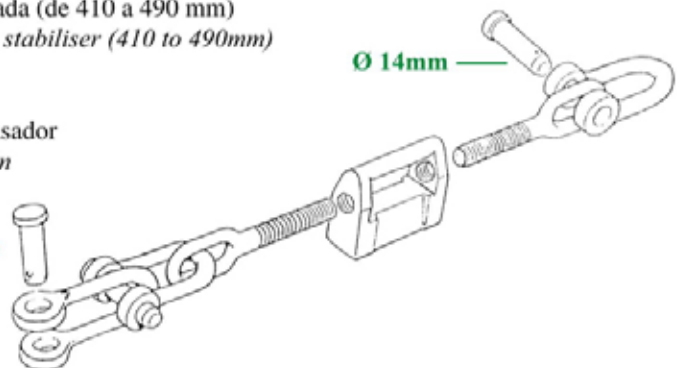
Cadena ajustable y galvanizada (de 410 a 490 mm)  
 Adjustable galvanised chain stabiliser (410 to 490mm)

**26/747-3**  
 (L.62238+L.62239)

Eslabón estabilizador con pasador  
 'D' shackle with stabiliser pin



Ø 14mm

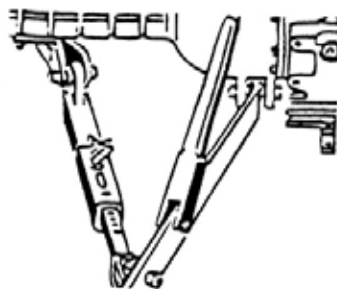


830, 840, 930, 940, 1030, 1040, 1120, 1130, 1140, 1350, 1550, 1630, 1640, 1750, 1840, 1850, 1950, 2030, 2040, 2130, 2140, 2250, 2450, 2650, 2850, 3030, 3040, 3050, 3130, 3140, 3150, 3340, 3350, 3640

### ESTABILIZADORES RÍGIDOS Y AJUSTABLES / RIGID & ADJUSTABLE STABILISER PAIRS

**26/740-12K**  
 (Ex : JD.15818K2)  
 4 cil./cyl. : 1630, 1640, 1830, 1840, 2040, 2140

**26/740-15K**  
 (Ex : JD.15819K2)  
 6 cil./cyl. : 3040, 3140, 4040, 4240, 4440



Con brazos telescópicos  
 2 varillas + soportes drcha. y izq.

With telescopic arms  
 2 rods + RH & LH brackets

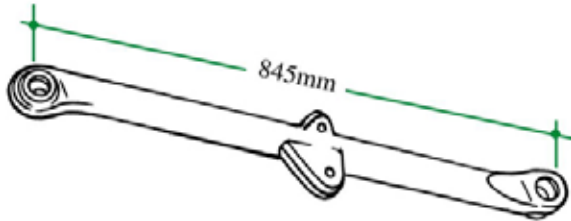
Las referencias originales tienen un propósito identificativo.  
 Nuestras piezas no son originales.

Part numbers are quoted for reference purposes only.  
 Our parts and accessories are not original.



**ACOPLAMIENTOS  
 LINKAGE**

**BRAZOS DE ELEVACIÓN  
 LIFTING ARMS**



830, 930, 1020, 1030, 1120, 1130, 1630, 2020

**26/712-15** Brazo (drcha.) / Arm RH  
 (AT.23657, AL.18250,  
 DE.16870, AL.26684)

**26/712-16** Brazo (izq.) / Arm LH  
 (AT.23659, AL.18252,  
 DE.16871, AL.26685)

**RÓTULA FINAL  
 WELD-ON END**



**26/715-5**  
 (26/R.28EF)

Lateral del tractor 1 1/8". Largo: 35mm.  
 Tractor side Ø 1 1/8". Width : 35mm

**EJES DE CONTROL  
 CONTROL LEVER SHAFT**



**26/688-1**  
**26/688-2**

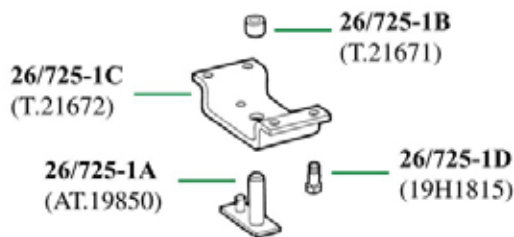
**26/688-1**  
 (AT.19838)

L. : 170mm  
 1020, 1030, 1120, 1130,  
 1630, 2020, 2120

**26/688-2**  
 (AL.27221, AL.60565)

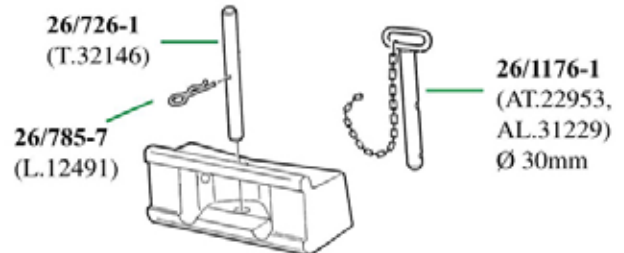
L. : 287mm  
 940, 1040, 1140, 1640,  
 1830, 2030, 2040, 2040S, 2130,  
 2140, 3030, 3130, 3140, 3340

**BARRAS PERFORADAS  
 SWINGING DRAWBAR**



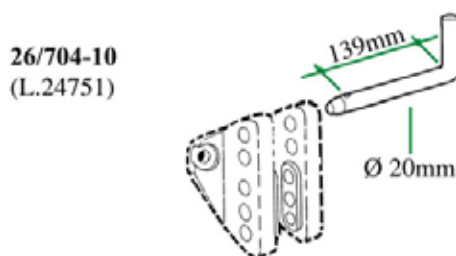
820, 830, 920, 930, 1020, 1030, 1120, 1130, 1630, 1830, 2020,  
 2030, 2120, 2130

**CONTRAPESO  
 FRONT FRAME WEIGHTS**



820, 830, 840, 920, 930, 940, 1020, 1030, 1040, 1120, 1130,  
 1140, 1350, 1550, 1630, 1640, 1750, 1830, 1840, 1850, 1950,  
 2020, 2030, 2040, 2120, 2130, 2140, 2250, 2450, 2650, 2850,  
 3030, 3040, 3050, 3120, 3130, 3140, 3150, 3340, 3350, 3640,  
 3650, 4350

**PASADOR TERCER PUNTO  
 TOP LINK PIN**



**26/704-10**  
 (L.24751)

Las referencias originales tienen un propósito identificativo.  
 Nuestras piezas no son originales.

Part numbers are quoted for reference purposes only.  
 Our parts and accessories are not original.







## ALTERNADORES ALTERNATORS

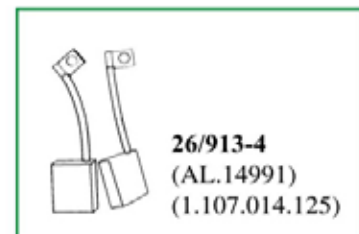
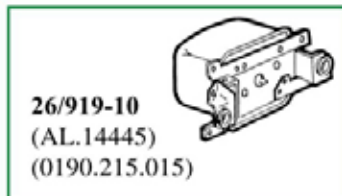


(W) Conexión eléctrica / Electrical connection

Tractores Tractors	Alternador Alternator	Capacidad Capacity	Comentarios Comment	OEM	Regulador Control box
Modelos con regulador separado Models with separate regulator	<b>62/920-18</b> (510.E.385)	14V., 35 Amp.	VALEO	AZ.23575	<b>62/919-15</b> Separado/Separate (205/01001)
820, 920, 1020, 1120, 2020, 2120, 3120, 830, 930, 1030, 1130, 1630, 2030, 2130, 3030, 3130	<b>62/920-17</b> (15/1995)	14V., 33 Amp.		AL.36100	<b>62/919-16</b> (205/01007)
940, 1040, 1140, 1640, 1840, 2040, 2140, 3040, 3140, 1550, 1750, 1850, 1950, 2250, 2450, 2650, 2850, 3050, 3350, 3650	<b>62/920-16</b> (15/1453) (W)	14V., 55 Amp.	Correa : 17mm Belt : 17 mm	AL.35998 AL.67175 AL.81436	<b>62/919-17</b> (205/04034)
	<b>62/920-19</b> (15/1498)	14V., 80 Amp.		AL.81437	<b>62/919-18</b> (205/01024)
3100, 3200, 3200X, 3300, 3300X, 3400, 3400X	<b>62/920-21</b> (15/1668) (W)	14V., 95 Amp.		RT.7700036535	
6100, 6200, 6300, 6400, 6500, 6800, 6900				AL.78690	

## REPUESTOS PARA GENERADORES BOSCH MISCELLANEOUS PARTS FOR "BOSCH" GENERATOR

1020, 1120, 2020, 2120

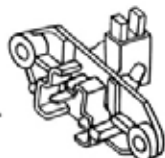


## REPUESTOS PARA ALTERNADORES BOSCH MISCELLANEOUS PARTS FOR "BOSCH" ALTERNATORS

### PORTA ESCOBILLAS Y ESCOBILLAS BRUSH HOLDER WITH BRUSHES

**26/923-3**  
(AL.27372)

Para alternadores 28, 33 & 55 Amp.  
For alternators 28, 33 & 55 Amp.



Para más información ver la gama completa en la  
sección 1 del catálogo.  
For further details, see the complete range in part  
1 of the catalogue.



### REGULADORES CONTROL BOX

**26/919-11**  
(AT.31413)

28 Amp.

**26/919-12**  
(AL.36101)

33 Amp.

**62/919-14**  
(AL.35999, AL.65077)

55 Amp.

**26/919-13**  
(0192.052.005)

Neumáticos 14V. Typ  
Incorporado / incorporated



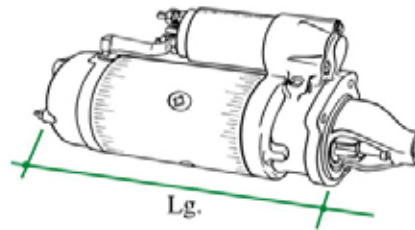
Las referencias originales tienen un propósito identificativo.  
Nuestras piezas no son originales.

Part numbers are quoted for reference purposes only.  
Our parts and accessories are not original.



## MOTORES DE ARRANQUE STARTER MOTORS

**Transmisión :** 11Z = 11 dientes  
**Fijación :** Número de agujeros  
R: Montaje drcha.  
L: Montaje izq.



**Drive :** 11Z = 11 teeth  
**Fitting :** Numbers of holes  
R : RH mounting  
L : LH mounting

Tractores Tractors	Ref. n° Order n°	Transmisión Drive ass.	Fijación Fitting	Longitud sobresaliente Prominent length	Capacidad Capacity	OEM
Series 10, 20, 30, 40, 50 (Europe)	62/930-25 (A) (15/06804JD)	10Z	2R	250	12 V., 3,5 KW	AR.70436
	62/930-86 (B) (15/70436AR)			255	12V., 3 KW	
6506, 6510, 6600, 6610, 6800, 6810, 6900, 6910,	62/930-58		3G	240	12 V., 3,1 KW	AL.81154 AL.70852

(A) Este starter no se puede utilizar en algunos tractores con cabina o con carga frontal porque el interruptor del solenoide sobresale 3cm en comparación con el BOSCH

*This starter is not usable on some tractors with cab or with front loader because the solenoid switch is 3 cm exterior tilted compared to BOSCH starter*

(B) ISKRA

## REPUESTOS PARA MOTORES DE ARRANQUE BOSCH SPARE PARTS FOR "BOSCH" STARTER MOTORS

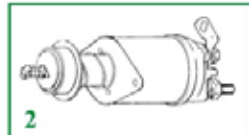
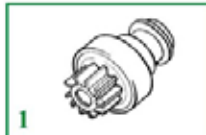


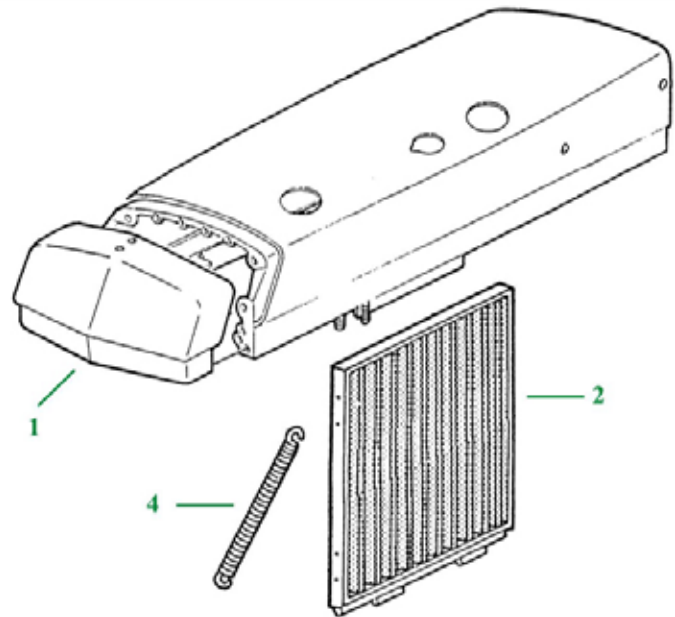
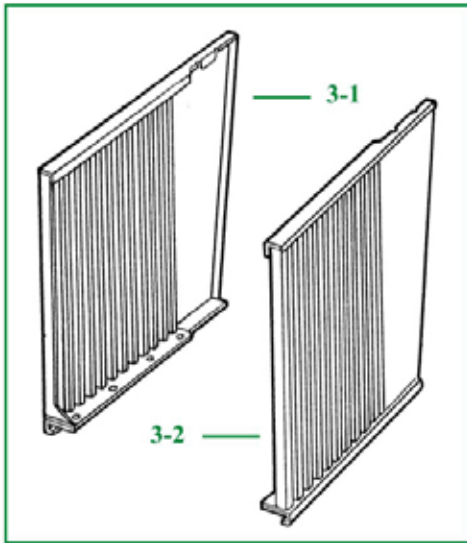
Fig.		1	2	3	4
Tractores Tractors	Motor de arranque Starter motor	Transmisión Drive ass.	Solenoide Solenoid	Escobillas Brushes	Inducido Armature
Todos los tractores 3, 4, 6 cil. Europa. Series 20 & 30 All tractors 3, 4, 6 cyl. Europe. Series 20 & 30	AT.23401 (0.001.359.016) (⇄ 152929)	26/939-21 (AT.25910) (2.006.209.201/306)	26/940-18 (AL.19192) (0.331.400.023/ 401.001/401.051) Fijación 2 puntos/Bolts	26/933-8 (AZ.14507) (2.007.014.011/052)	26/931-11 (AZ.14506) (2.004.004.061, 2.007.010.007)
Todos los tractores 3, 4, 6 cil. Europa. Series 20, 30 & 40 All tractors 3, 4, 6 cyl. Europe. Series 20, 30 & 40	AR.70436 (0.001.359.090) (152930 ⇄)	26/939-20 (AL.25275) (2.006.209.414/444)	26/940-19 (AL.25268, AL.55046) (0.331.402.004) Fijación 3 puntos/Bolts	26/933-9 (AL.25271) (2007.014.052)	26/931-12 (AL.25274) (2.004.004.112)
2250, 2450, 2650, 2650N, 2850	AL.41247, AL.62690 (0.001.362.312, 0.001.362.316)			26/933-10 (AL.55047)	

Las referencias originales tienen un propósito identificativo.  
Nuestras piezas no son originales.

Part numbers are quoted for reference purposes only.  
Our parts and accessories are not original.



**PIEZAS DE CARROCERÍA**  
**BODY PARTS**



Tractores Tractors	Fig. Fig.	Ref. Ref.	OEM	Descripción Description
830, 930, 1030, 1130, 1630, 1830, 2030, 2130	1	26/838-200	R.59961	Parte frontal del capó Bonnet front part
3030, 3130		26/838-1	R.60089	
840, 940, 1040, 1140, 1550, 1640, 1750, 1840, 1850, 1950, 2040, 2040S, 3040, 3050, 3140, 3350, 3650, 4040S, 4240S		26/838-201	R.52362	
2040 (A), 2140, 2250, 2450, 2650, 2650N, 2850		26/838-202	L.34555	
1020, 1030, 1120, 1130, 2020	2	26/842-4	AR.72949 AT.19981	Calandra 425 x 355 mm Screen 425 x 355mm
1630, 1830, 2020, 2030, 2120, 2130		26/842-5	AR.72950 AT.19980	Calandra 425 x 425mm Screen 425 x 425mm
1640, 2040, 2040S		26/842-6	AL.31252 AL.37083 AL.56766	Calandra Screen
2140		26/842-7	AL.31251 AL.37082 AL.56765	Calandra 493 x 430mm Screen 493 x 430mm
3030, 3120, 3130	3-1	26/839-203	AT.26471	Calandra drcha. Screen RH
	3-2	26/839-204	AT.26472	Calandra Izq. Screen LH
820, 830, 840, 920, 930, 940, 1020, 1030, 1040, 1120, 1130, 1140, 1350, 1550, 1630, 1640, 1750, 1830, 1840, 1850, 2020, 2030, 2040, 2120, 2130, 2140, 2450, 2650, 2850, 3030, 3040, 3120, 3130, 3140, 3340, 3640	4	26/837-1	R.26858 L.40645	Muelle Spring

(A) Con elevación reforzada / With heavy duty lift

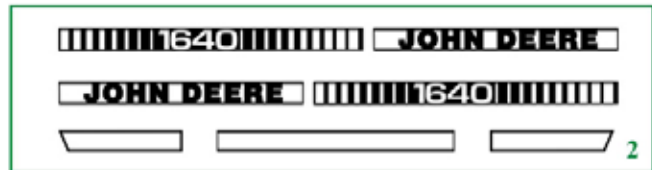
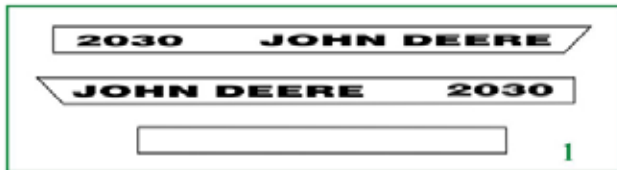
Las referencias originales tienen un propósito identificativo.  
Nuestras piezas no son originales.

Part numbers are quoted for reference purposes only.  
Our parts and accessories are not original.



**MEDALLÓN Y JUEGO CALCAS**  
**MEDALLION & DECAL SETS**

**JUEGO CALCAS / DECAL SETS**



Se incluyen adhesivos delanteros y laterales drcha. y izq. / Included front, LH and RH side decals

Tractor Tractor	Fig. Fig.	Ref. Ref.	Tractor Tractor	Fig. Fig.	Ref. Ref.	Tractor Tractor	Fig. Fig.	Ref. Ref.	Tractor Tractor	Fig. Fig.	Ref. Ref.
940	2	26/860-258	1750	2	26/860-269	2040S	2	26/860-264	3030	1	26/860-256
1030	1	26/860-250	1830	1	26/860-253	2130	1	26/860-255	3040	2	26/860-266
1040	2	26/860-259	1840	2	26/860-262	2140	2	26/860-265	3050	2	26/860-276
1130	1	26/860-251	1850	2	26/860-270	2250	2	26/860-272	3130	1	26/860-257
1140	2	26/860-260	1950	2	26/860-271	2450	2	26/860-273	3140	2	26/860-267
1550	2	26/860-268	2030	1	26/860-254	2650	2	26/860-274	3350	2	26/860-277
1630	1	26/860-252	2040	2	26/860-263	2850	2	26/860-275	3650	2	26/860-278
1640	2	26/860-261									

**MEDALLÓN DELANTERO**  
**FRONT MEDALLION**



**26/863-14**  
(R.59991, R.67027)

830, 840, 930, 940, 1030, 1040, 1130, 1140, 1550, 1630, 1640, 1750, 1830, 1840, 1850, 1950, 2030, 2040, 2040S, 2130, 2140, 2250, 2450, 2650, 2850, 3030, 3040, 3050, 3130, 3140, 3350, 3640, 3650, 4040S, 4240S, 4640, 4840

**PINTURA DE CALIDAD A UN PRECIO ATRACTIVO**  
**QUALITY PAINT AT AN ATTRACTIVE PRICE**



**64/3102-3** Verde / Green

**64/3102-38** Amarillo  
Yellow



Ver la gama completa en la primera parte del catálogo.

See the complete range in part 1 of the catalogue.

**LA MEJOR**  
**PINTURA**

**LAQUE AMERICAINE**

**THE BEST PAINT ON**  
**THE MARKET**



64/LA.3050/L  
64/LA.3050/SP  
64/LA.4063/L  
64/LA.4063/SP  
64/LA.3059/L  
64/LA.3059/SP  
64/LA.4102/L  
64/LA.4102/SP

Amarillo / Yellow  
Amarillo / Yellow  
Verde / Green  
Verde / Green  
Amarillo claro- Nueva versión / Light yellow - New version  
Amarillo claro- Nueva versión / Light yellow - New version  
Verde- versión nueva / Green - New version  
Verde- versión nueva / Green - New version

(1 litro / 1 liter)  
(Spray)  
(1 litro / 1 liter)  
(Spray)  
(1 litro / 1 liter)  
(Spray)  
(1 litro / 1 liter)  
(Spray)



Las referencias originales tienen un propósito identificativo.  
Nuestras piezas no son originales.

Part numbers are quoted for reference purposes only.  
Our parts and accessories are not original.



## ESCOBILLAS DEL LIMPIA-PARABRISAS WIPER BLADES



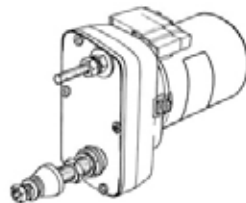
Tractores <i>Tractors</i>	Cabina <i>Cab</i>	Parabrisas frontal <i>Front</i>		Trasero <i>Rear</i>	
830, 930, 1030, 1130, 1630, 2030, 2130, 3030, 3130	SEKURA	70/1987-14 (AL.30438)	350mm		
1040, 1140, 1640, 2040, 2140	"LP" SEKURA	70/1987-18 (AL.58524, AL.36393)	460mm		
940, 1040, 1140, 1550, 1640, 1750, 1850, 1950, 2040, 2040S, 2250, 2450, 2650, 2850	"MC1"				
1640, 2040, 2040S, 2140, 2250, 2450, 2650, 2850, 3040, 3050, 3140, 3350, 3640, 3650	"SG2"	70/1987-20 (AL.34845)	510mm	70/1987-20 (AL.34845)	510mm
4040, 4040S, 4050, 4230, 4240, 4240S, 4250, 4430, 4440, 4450, 4630, 4640, 4650, 4840, 4850, 8430, 8440, 8450, 8630, 8640, 8650, 8850		70/1987-16 (AR.56694)	410mm	<i>o / or</i> 70/1987-16 (AR.56694)	<i>o / or</i> 410mm

## MOTOR DEL LIMPIAPARABRISAS WIPER MOTOR

**63/1980-4**  
(AL.58520)

135°

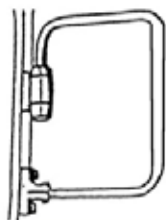
12 Volts



Cabina MC1, CC2 *cab*

940, 1040, 1140, 1550, 1640, 1750, 1850, 1950, 2040, 2040S, 2250, 2450, 2650, 2850

## RETROVISORES REAR VIEW MIRRORS



**70/4172-8**  
(ET. 4161)

Fijación para retrovisor  
*Bracket only*



**70/4172-19**  
(10/6228E)

Espejo convexo superior, con enganche de 255 x 153mm  
*Convex mirror for above, with clamp 255 x 153mm*

Para más información ver la gama completa en la sección I del catálogo.



*For further details, see the complete range in part I of the catalogue.*

## ASIDOR DE LA PUERTA CAB DOOR HANDLE



**70/4170-25**  
(13/1443, AL.25947, AR.91895, AL.55143, AL.66989)

Izquierda o derecha/ *LH or RH*  
Cabina "SEKURA" *Cab*

940, 1030, 1040, 1130, 1140, 1630, 1640, 2030, 2040, 2040S, 2130, 2140, 3030, 3040, 3130, 3140

Las referencias originales tienen un propósito identificativo.  
 Nuestras piezas no son originales.

*Part numbers are quoted for reference purposes only.  
 Our parts and accessories are not original.*



## ASIENTO SUSPENDIDO COMFORT SEAT

### ASIENTO COMPLETO / COMPLETE SEAT

Datos técnicos

- Suspensión ajustable
- Asiento con guías de ajuste
- Protección para la espalda
- El asiento se distribuye con tapicería amarilla sintética y base inclinada

Technical data

- Adjustable suspension
- Slide rails adjustment
- Contour back rest
- Supplied with yellow upholstery and angled mounting plate

**61/830-825**

(Ex : SG.10/JD, 830-10)



### REVESTIMIENTO DE ASIENTO / SEAT TRIMS

Série / Serie 20, 30, 40

**61/831-10**

(Ex : JD031K)

**61/831-11**

(Ex : JD031K/HM)



Ver la gama completa en la primera parte del catálogo.  
See the complete range in part 1 of the catalogue.

## JUEGOS DE REVESTIMIENTO PARA EL INTERIOR DE LA CABINA CAB TRIMS

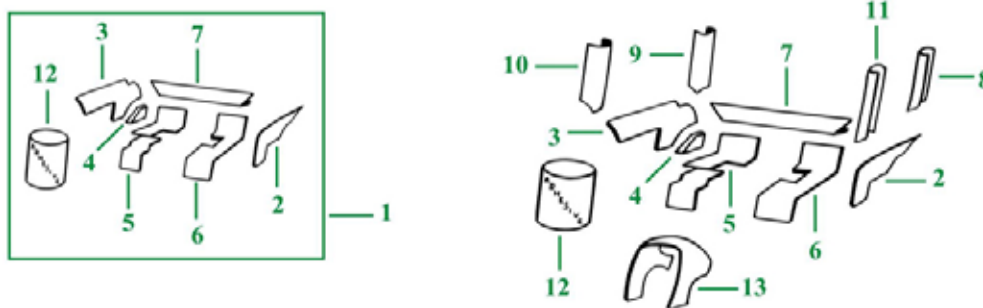


Ilustración juego SG2 / SG.2 set illustration

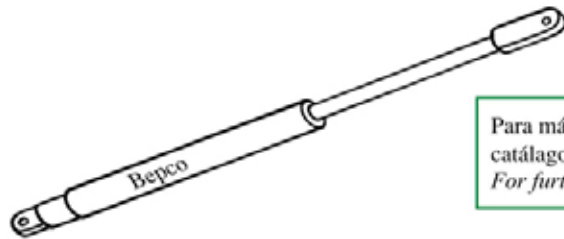
Referencia Reference	Fig. Fig.	Descripción Description	Referencia Reference	Fig. Fig.	Descripción Description
<b>Cabina SG2 series "40" &amp; "50" (Europa)</b> <i>SG2 cab "40" &amp; "50" series (Europe)</i>					
<b>26/4113-1</b> (C.1780)	<b>1</b>	Juego incluye items 2, 3, 4, 5, 6, 7 & 12 <i>Set including 2, 3, 4, 5, 6, 7 &amp; 12</i>	<b>26/4113-1J</b> (C.1789)	<b>9</b>	Panel lateral trasero (dcha) <i>Rear corner panel (RH)</i>
<b>26/4113-1A</b> (C.1781)	<b>2</b>	Panel lateral (izq.) <i>Side panel (LH)</i>	<b>26/4113-1K</b> (C.1790)	<b>10</b>	Panel lateral delantero (dcha) <i>Front corner panel (RH)</i>
<b>26/4113-1B</b> (C.1782)	<b>3</b>	Panel lateral (drcha.) <i>Side panel (RH)</i>	<b>26/4113-1L</b> (C.1791)	<b>11</b>	Panel lateral delantero (izq.) <i>Front corner panel (LH)</i>
<b>26/4113-1C</b> (C.1783)	<b>4</b>	Panel trasero (drcha.) <i>Rear corner panel (RH)</i>	<b>26/4113-1M</b> (C.1508)	<b>12</b>	Adhesivo <i>Adhesive</i>
<b>26/4113-1D</b> (C.1784)		Panel trasero (izq.) <i>Rear corner panel (LH)</i>	<b>26/4113-1N</b> (C.1792)	<b>13</b>	Envoltura <i>Wrapper</i>
<b>26/4113-1E</b> (C.1785)	<b>5</b>	Panel inferior (drcha.) <i>Bottom panel (RH)</i>	<b>Cabina SG1 (USA)</b> <i>SG1 cab (US)</i>		
<b>26/4113-1F</b> (C.1786)	<b>6</b>	Panel inferior (izq.) <i>Bottom panel (LH)</i>	<b>26/4113-2</b> (C.1777)	<b>1</b>	Juego para/ <i>Set for</i> 4030, 4230
<b>26/4113-1G</b> (C.1787)	<b>7</b>	Panel posterior <i>Back panel</i>	<b>26/4113-3</b> (C.1778)		Juego para/ <i>Set for</i> 4430, 4440
<b>26/4113-1H</b> (C.1788)	<b>8</b>	Panel trasero (izq.) <i>Rear panel (LH)</i>	<b>26/4113-4</b> (C.1779)		Juego para/ <i>Set for</i> 4040, 4240, 4630

Las referencias originales tienen un propósito identificativo.  
Nuestras piezas no son originales.

Part numbers are quoted for reference purposes only.  
Our parts and accessories are not original.



## AMORTIGUADORES GAS STRUTS



Para más información ver la gama completa en la sección I del catálogo.  
For further details, see the complete range in part I of the catalogue.



Tractores Tractors	Parabrisas Windscreen	Puerta Door	Techo Roof	Trasero Rear window
1030, 1130, 1630 (Cabina "SEKURA", "SEK 442", "OPU" Cab)			26/870-17 (AL.28599) 255mm 300 Newtons	26/870-17 (AL.28599) 255mm
1830, 2030, 2130 (Cabina "SEKURA", "SEK 293", "SEK 927" Cab)			26/871-13 (AL.28649) 255mm 210 Newtons	
2030, 2130, 3030, 3130 (Cabina "SEKURA", "SEK 294", "SEK 443" Cab)			26/870-17 (AL.28599) 255mm 300 Newtons	26/870-19 (AL.58521) 504mm
940, 1040, 1140, 1550, 1640, 1750, 1850, 1950, 2040, 2040S, 2250, 2450, 2650, 2850 (Cabina "MC1" Cab)	26/874-4 (AL.61021) 325mm	26/872-15 (AL.60324) 500mm	26/871-14 (L.57248) 227mm	26/870-18 (AL.33170) 500mm
940, 1040, 1140, 1640, 2040, 2040S, 2140, 3040, 3140 (Cabina "OPU" Cab)	26/870-19 (AL.58521) 504mm		26/870-17 (AL.28599) 255mm	
1640, 2040, 2040S, 2140, 2250, 2450, 2650, 2850, 3040, 3050, 3140, 3350, 3640, 3650 (Cabina "SG2" Cab)				26/870-20 (AL.35675, AL.66992) 740mm
4040S, 4055, 4240, 4240S, 4250, 4255, 4440, 4450, 4455, 4640, 4650, 4680, 4755, 4850, 4955				

## GOMAS PARA CRISTALES DE CABINA GLAZING RUBBER AND DRAFT EXCLUDERS

Ref. Ref.	Secciones (Goma negra) Sections (Black rubber)						Secciones (negra) Sections (Black)			
	70/4110-9 (13/1200) (A)	70/4110-10 (13/1206) (B)	70/4110-11 (13/1207) (C)	70/4111-4 (13/1201)	70/4110-12 (13/1208)	70/4110-13 (13/1209)	70/4112-2 (13/1202)	70/4112-3 (13/1203)	70/4112-4 (13/1204)	70/4112-5 (13/1205)
Tamaño cristal Glass size	6,0mm	4,7mm	4,7mm	Filtro para Filler strip for A, B, C	5,0mm	4,0mm		2-5mm	5-6mm	6mm
Panel	1,2/1,6mm	1,2/1,6mm	2,6/3,2mm		2mm	2mm				

Se vende en metros / Sold in metres

Las referencias originales tienen un propósito identificativo.  
Nuestras piezas no son originales.

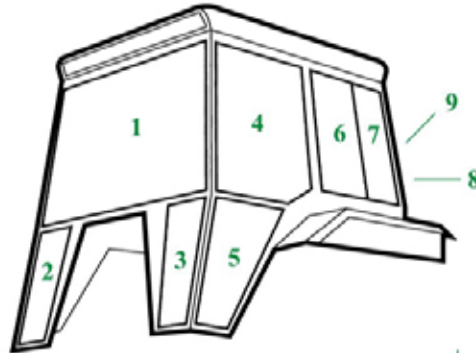
Part numbers are quoted for reference purposes only.  
Our parts and accessories are not original.



## CRISTAL DE CABINA CAB GLASS

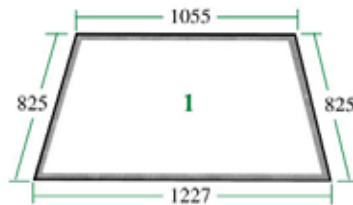
### CABINA DE LUXE - SEKURA (O.P.U.) / DE LUXE - SEKURA (O.P.U.) CAB

1030, 1130, 1630, 2030, 2130, 2140, 3030, 3130

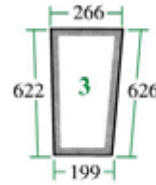
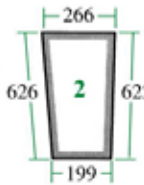


Todos los cristales no son tintados  
All glass not tinted

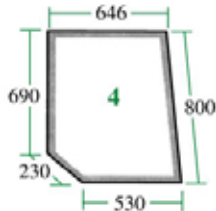
**26/4002-2**  
(D.7040, AL.25755, AL.27351)  
(↔ 199830)  
Parabrisas  
Windscreen



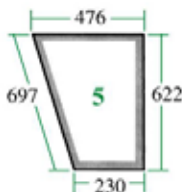
**26/4016-2**  
(D.7041, AL.25757)  
(↔ 199830)  
Delantera (drcha.)  
Front (RH)



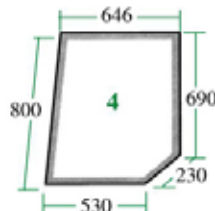
**26/4015-2**  
(D.7042, AL.25756)  
(↔ 199830)  
Delantera (izq.)  
Front (LH)



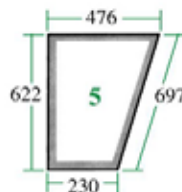
**26/4035-9**  
(D.7043, AL.25759, AL.27355)  
(↔ 199830)  
Puerta (drcha. superior)  
Door (Upper RH)



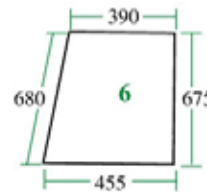
**26/4033-1**  
(D.6770, AL.25761)  
(↔ 199830)  
Puerta (inferior drcha.)  
Door (Lower RH)



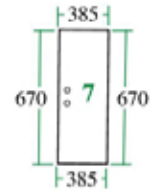
**26/4034-1**  
(D.7044, AL.25758, AL.27354)  
(↔ 199830)  
Puerta (izq. superior)  
Door (Upper LH)



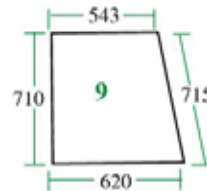
**26/4032-1**  
(D.6769, AL.25760)  
(↔ 199830)  
Puerta (inferior izq.)  
Door (Lower LH)



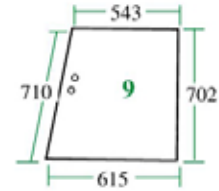
**26/4041-5**  
(D.7048/F, L.32954)  
(↔ 199830)  
Lateral (fijo, izq. o drcha.)  
Side (Fixed, LH or RH)



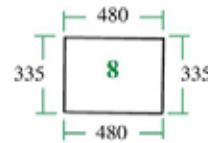
**26/4040-3**  
(D.7048/S, L.32953)  
(↔ 199830)  
Lateral  
(deslizante, izq. o drcha.)  
Side (Sliding, LH or RH)



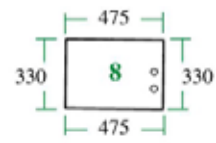
**26/4079-1**  
(D.8000/F)  
(↔ 212715)  
Trasero (superior, fijo)  
Rear (Upper, fixed)



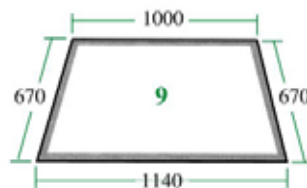
**26/4078-1**  
(D.8000/S)  
(↔ 212715)  
Trasero (superior, deslizante)  
Rear (Upper, sliding)



**26/4075-3**  
(D.7050/F, L.32956)  
(↔ 199830)  
Trasero (inferior, fijo)  
Rear (Lower, fixed)



**26/4074-3**  
(D.7050/S, L.32955)  
(↔ 199830)  
Trasero (inferior, deslizante)  
Rear (Lower, sliding)



**26/4077-1**  
(D.7049, AL.28056)  
(212716 ↔)  
Trasero (superior)  
Rear (Upper)

Las referencias originales tienen un propósito identificativo.  
Nuestras piezas no son originales.

Part numbers are quoted for reference purposes only.  
Our parts and accessories are not original.

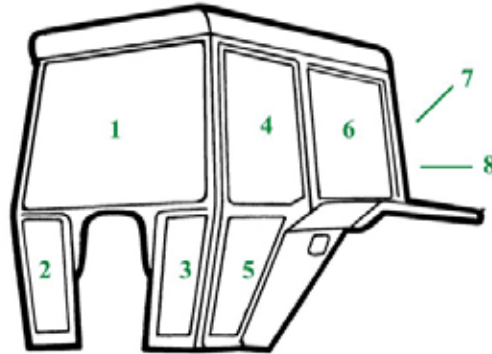




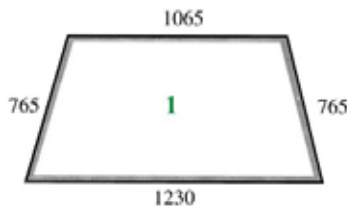
**CRISTAL DE CABINA**  
**CAB GLASS**

**CABINA P.P.I. & L.P. SEKURA (L.P.U.) / P.P.I. & L.P. SEKURA (L.P.U.) CAB**

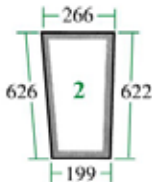
1040, 1140, 1640, 2040, 2140



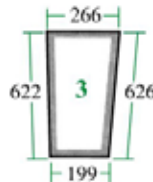
Todos los cristales no son tintados  
*All glass not tinted*



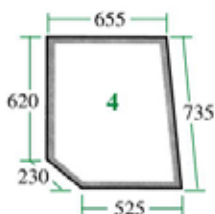
**26/4002-1**  
 (D.6765, AL.29675)  
 Parabrisas  
*Windscreen*



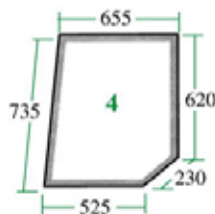
**26/4016-2**  
 (D.7041, AL.27353)  
 Delantera (drcha.)  
*Front (RH)*



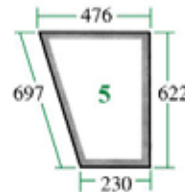
**26/4015-2**  
 (D.7042, AL.27352)  
 Delantera (izq.)  
*Front (LH)*



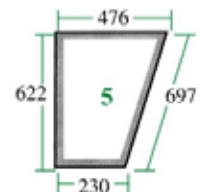
**26/4031-1**  
 (D.6768, AL.29672)  
 Puerta (drcha. superior)  
*Door (Upper RH)*



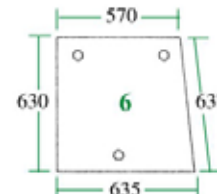
**26/4030-1**  
 (D.6767, AL.29671)  
 Puerta (izq. superior)  
*Door (Upper LH)*



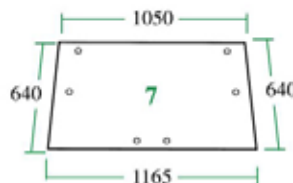
**26/4033-1**  
 (D.6770, AL.27357)  
 Puerta (inferior drcha.)  
*Door (Lower RH)*



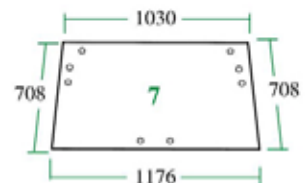
**26/4032-1**  
 (D.6769, AL.27356)  
 Puerta (inferior izq.)  
*Door (Lower LH)*



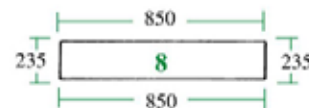
**26/4047-14**  
 (D.8022)  
 Lateral (izq. o drcha.)  
*Side (LH or RH)*



**26/4072-14**  
 (D.6772, 930-174)  
 Trasero  
 (superior, 6 agujeros)  
*Rear (Upper, 6 holes)*



**26/4072-28**  
 (D.8025, L.36075)  
 Trasero  
 (superior, 8 agujeros)  
*Rear (Upper, 8 holes)*



**26/4073-17**  
 (D.8024, 930-177)  
 Trasero (inferior)  
*Rear (Lower)*

Las referencias originales tienen un propósito identificativo.  
 Nuestras piezas no son originales.

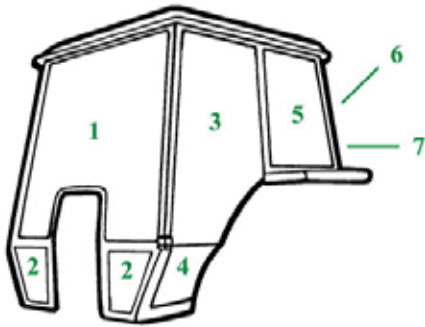
Part numbers are quoted for reference purposes only.  
 Our parts and accessories are not original.



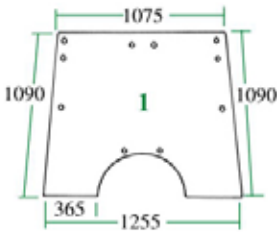
**CRISTAL DE CABINA**  
**CAB GLASS**

**CABINA MCI / MCI CAB**

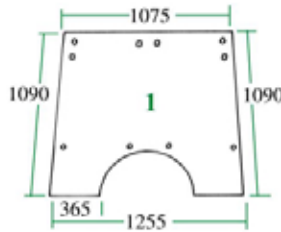
1550, 1750, 1850, 1950, 2250, 2450, 2650, 2850



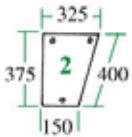
Todos los cristales no son tintados  
*All glass not tinted*



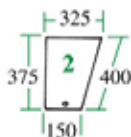
**26/4000-38**  
 (D.8053, L.57290)  
 (⇄ 003481)  
 Parabrisas  
 Windscreen



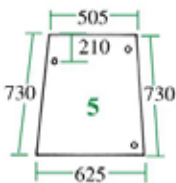
**26/4000-39**  
 (D.8056, L.59466)  
 (003482 ⇄)  
 Parabrisas  
 Windscreen



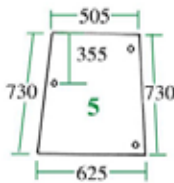
**26/4012-25**  
 (D.8050, L.57280)  
 (⇄ 003481)  
 Delantera (Izq. o drcha.)  
 Front (LH or RH)



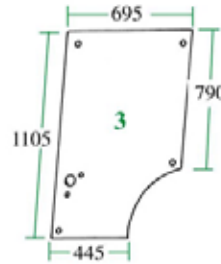
**26/4012-26**  
 (D.8057, L.60319)  
 (003482 ⇄)  
 Delantera (Izq. o drcha.)  
 Front (LH or RH)



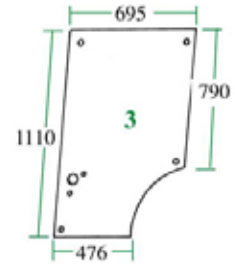
**26/4047-15**  
 (D.8060, L.60335)  
 (⇄ 06180)  
 Lateral (izq. o drcha.)  
 Side (LH or RH)



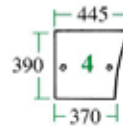
**26/4047-17**  
 (D.8061, L.61159)  
 (06181 ⇄)  
 Lateral (izq. o drcha.)  
 Side (LH or RH)



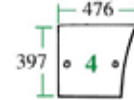
**26/4022-20**  
 (D.8054, L.57908)  
 (4 cil./cyl.)  
 Puerta (izq. o drcha. superior)  
 Door (Upper LH or RH)



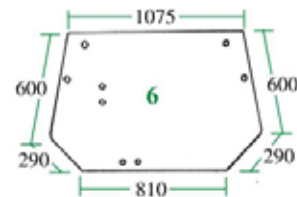
**26/4022-23**  
 (D.8054/A, L.57904)  
 (3 cil./cyl.)  
 Puerta (izq. o drcha. superior)  
 Door (Upper LH or RH)



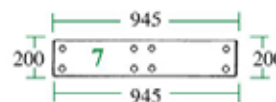
**26/4021-20**  
 (D.8055, L.57909)  
 (4 cil./cyl.)  
 Puerta (inferior izq. o drcha.)  
 Door (Lower LH or RH)



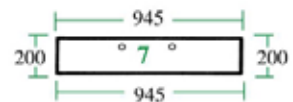
**26/4021-24**  
 (D.8055/A, L.57905)  
 (3 cil./cyl.)  
 Puerta (inferior izq. o drcha.)  
 Door (Lower LH or RH)



**26/4072-29**  
 (D.8051, L.57284)  
 Trasero (superior)  
 Rear (Upper)



**26/4073-18**  
 (D.8052, L.57285)  
 (⇄ 003447)  
 Trasero (inferior)  
 Rear (Lower)



**26/4073-19**  
 (D.8058, L.60320)  
 (003448 ⇄)  
 Trasero (inferior)  
 Rear (Lower)

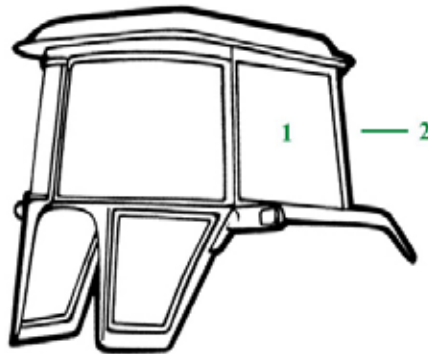
Las referencias originales tienen un propósito identificativo.  
 Nuestras piezas no son originales.

Part numbers are quoted for reference purposes only.  
 Our parts and accessories are not original.



**CRISTAL DE CABINA**  
**CAB GLASS**

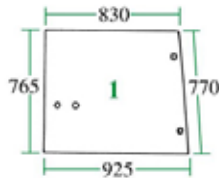
**CABINA SG2 / SG2 CAB**



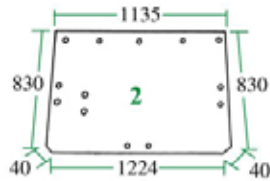
Todos los cristales no son tintados  
*All glass not tinted*

**Serie / Serie 40 (1981 ⇄ 1986)**

**26/4047-18**  
 (D.8076, L.57977)  
 Lateral (izq. o drcha.), (4 agujeros)  
*Side (LH or RH, 4 holes)*

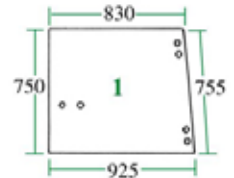


**26/4071-9**  
 (D.8070, L.36606)  
 Trasero (9 agujeros)  
*Rear (13 holes)*

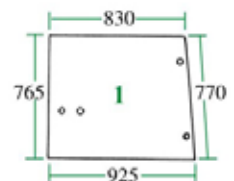


**Serie / Serie 50 (1986 ⇄ 10/1989)**

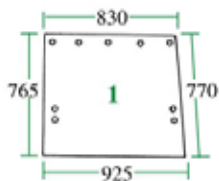
**26/4047-19**  
 (D.8075, L.55040)  
 Lateral (izq. o drcha.), (6 agujeros)  
*Side (LH or RH, 6 holes)*



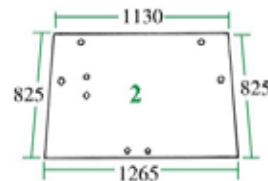
**26/4047-18**  
 (D.8076, L.57977)  
 Lateral (izq. o drcha.), (4 agujeros)  
*Side (LH or RH, 4 holes)*



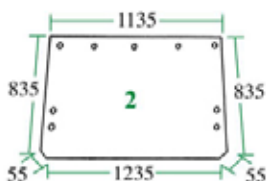
**Serie / Serie 55 (1989 ⇄)**



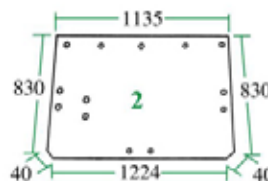
**26/4047-21**  
 (D.8077, R.50757)  
 Lateral (izq. o drcha.), (9 agujeros)  
*Side (LH or RH, 9 holes)*



**26/4071-10**  
 (D.8079, L.57978)  
 Trasero (8 agujeros)  
*Rear (8 holes)*



**26/4071-11**  
 (D.8078, R.50758)  
 Trasero (9 agujeros)  
*Rear (9 holes)*



**26/4071-9**  
 (D.8070, L.36606)  
 Trasero (13 agujeros)  
*Rear (13 holes)*

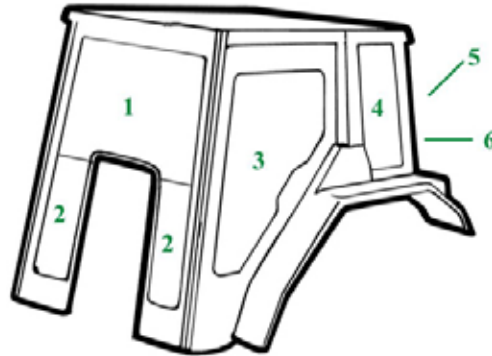
Las referencias originales tienen un propósito identificativo.  
 Nuestras piezas no son originales.

Part numbers are quoted for reference purposes only.  
 Our parts and accessories are not original.



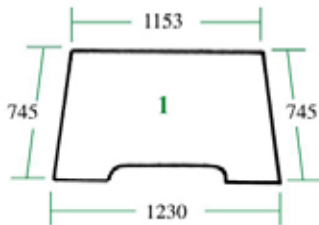
**CRISTAL DE CABINA**  
**CAB GLASS**

**3100, 3200, 3300, 3400 STD & X**



Todos los cristales no son tintados  
*All glass not tinted*

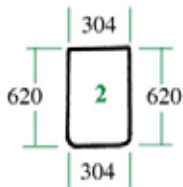
**Cabina serie X / X serie cab**



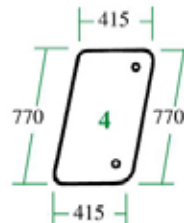
**26/4000-58**  
 (D.8090, RT.6005010155)  
 Parabrisas  
*Windscreen*



**26/4021-30**  
 (D.8094, RT.6005010161)  
 Puerta (izq. o drcha.)  
*Door (LH or RH)*

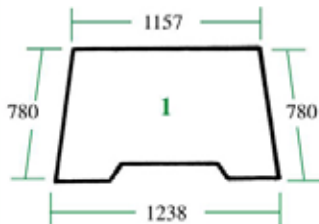


**26/4012-39**  
 (D.8092, RT.6005010157)  
 Delantera (izq. o drcha.)  
*Front (LH or RH)*

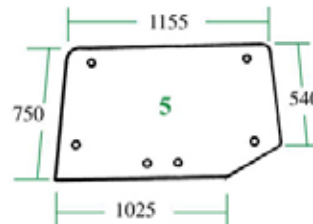


**26/4047-38**  
 (D.8095, RT.6005010162)  
 Lateral (izq. o drcha.), (2 agujeros)  
*Side (LH or RH, 2 holes)*

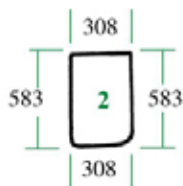
**Cabina estándar / Std. cab**



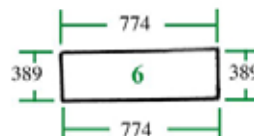
**26/4000-57**  
 (D.8091, RT.6005010158)  
 Parabrisas  
*Windscreen*



**26/4072-42**  
 (D.8096, RT.6005010163)  
 Trasero (superior, 6 agujeros)  
*Rear (Upper; 6 holes)*



**26/4012-38**  
 (D.8093, RT.6005010160)  
 Delantera (izq. o drcha.)  
*Front (LH or RH)*



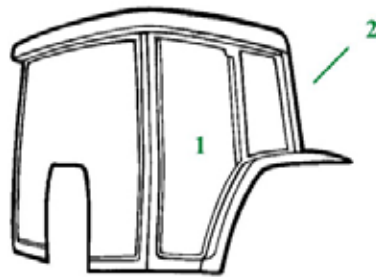
**26/4073-28**  
 (D.8097, RT.6005002917)  
 Trasero (inferior)  
*Rear (Lower)*

Las referencias originales tienen un propósito identificativo.  
 Nuestras piezas no son originales.

Part numbers are quoted for reference purposes only.  
 Our parts and accessories are not original.



**CRISTAL DE CABINA**  
**CAB GLASS**



Todos los cristales son tintados  
*All glass tinted*

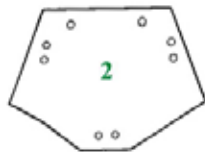
**SE6010, 6100, SE6110, 6110, SE6210, 6200, 6210,  
 6300, SE6310, 6310, 6400, 6410, 6506, 6510,  
 6610, 6800, 6810, 6900, 6910**



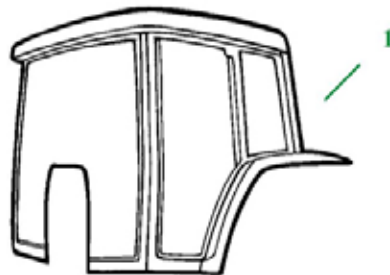
**26/4038-10**  
 (D.8184, L.77648)  
 Puerta (drcha.)  
 Grosor 6mm, convexo  
*Door RH*  
*Thickness 6mm, curved*



**26/4039-10**  
 (D.8185, L.77647)  
 Puerta (izq.)  
 Grosor 6mm, convexo  
*Door LH*  
*Thickness 6mm, curved*

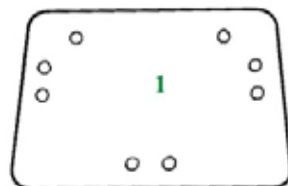


**26/4072-60**  
 (D.8186, L.78727)  
 Trasero  
*Rear*



Todos los cristales son tintados  
*All glass tinted*

**7000, 7600, 7610, 7700,  
 7710, 7800, 7810**



**26/4072-61**  
 (D.8195, R.110990)  
 Trasero (8 agujeros)  
*Rear (8 holes)*

Las referencias originales tienen un propósito identificativo.  
 Nuestras piezas no son originales.

*Part numbers are quoted for reference purposes only.  
 Our parts and accessories are not original.*



**JOHN DEERE**

---



**COSECHADORAS  
COMBINES**

---

**JOHN DEERE**

## COSECHADORAS COMBINES

● **TABLA DE IDENTIFICACIÓN PARA COSECHADORAS Y MOTORES**  
**COMBINES AND ENGINE APPLICATION CHART**

Muchas de las piezas de motor para cosechadoras son las mismas que para los tractores. Para identificarlas se puede usar el modelo de motor.

*Most of the tractor engine parts are also suitable for the combines. Refer to the engine model.*

Cosechadoras Combines	Motor Engine	Cilindros Cylinders	Cosechadoras Combines	Motor Engine	Cilindros Cylinders
430, 530, 935	4-219D	4	2066	6-076H	6
630	6-329D	6	3300	4-219D	4
932, 940, 942	4-239D	4	4400	6-329D	6
945, 952	4-239T	4	4420	6-359D	6
950, 960	6-329D	6	4425	6-329D	6
955, 1055	6-359D	6	6600	6-404T/A	6
965, 965H, 968, 968H, 975, 985, 1068H, 1075H4, 1169H, 1174H4	6-359T	6		6-404D	6
				6602	6-466T
1032, 1042	4-239D	4	6620	6-466D	6
1052	4-239T	4		6-466T	6
		6-329D	6	6622	4-239T
1065, 1072, 1075	6-359T	6	6-466T		6
1133, 1144	4-239D	4	7700	6-404D	6
1155	4-239T	4	7720	6-466T	6
1157	6-359D	6	7720	6-466T	6
1158, 1166, 1174	6-359T	6	8820	6-466A	6
1177	6-359A	6		6-466T	6
1177H4, 1188, 1188H4	6-466A	6	9400	6-359T	6
2054	6-068H	6		6-068H	6
2056, 2058, 2064	6-076A	6	9500, 9600, 9965	6-076	6

Las referencias originales tienen un propósito identificativo.  
 Nuestras piezas no son originales.

*Part numbers are quoted for reference purposes only.  
 Our parts and accessories are not original.*



**"THE RELIABLE SERVICE"**



## COSECHADORAS COMBINES

### ● BOMBAS DE AGUA Y JUEGOS DE REPARACIÓN / WATER PUMPS & REPAIR KITS

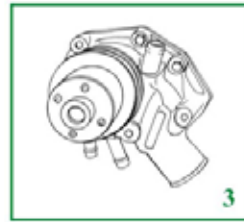
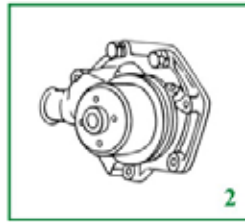
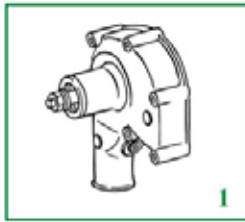


	Fig. Fig.	OEM	Bomba Pump	Juego de reparación Repair kit
Cosechadora mot. JD 6 cyl. Combines JD 6 cyl. engine				<b>26/131-24</b> (RE.11348, RE.62660)
Cosechadora mot. Perkins 6.354 Combines Perkins 6.354 engine	<b>1</b>	41312557 41313045	<b>26/130-10</b> (A)	<b>26/131-10</b> (59101)
Cosechadora 630 Combine 630	<b>2</b>	AR.52396	<b>26/130-52</b> (B)	
Cosechadora 955 Combine 955	<b>3</b>	AR.76290 AR.97710	<b>26/130-53</b> (B)	

(A) Sin polea / Without pulley

(B) Polea doble / Double pulley

### ● RÓTULAS Y ACOPLES DE DIRECCIÓN / TIE RODS & SOCKETS

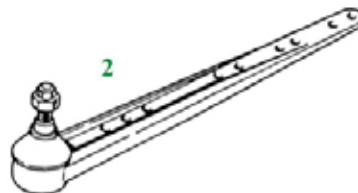


	Fig. Fig.	Rótula Tie rod	Cono Cone	Rosca Thread	Longitud Length
Cosechadoras Combines	<b>1</b>	<b>26/497-55</b> (AH.21345) Barra / Cutterbar	13/16" x 7/8"	1" (M)	110mm
	<b>2</b>	<b>26/495-57</b> (AH.21346) Cabezal del corte / Knife head	13/16" x 7/8"		350mm
Cosechadoras Silage-Harvester 5400, 5440, 5460, 5820, 5830	<b>1</b>	<b>26/497-52</b> (AH.75389)	11/16" x 13/16"	7/8" (M)	110mm
	<b>3</b>	<b>26/498-7</b> (AH.75396)	11/16" x 3/4"	11/16" (F)	64mm
	<b>1</b>	<b>26/497-57</b> (AH.75397)	11/16" x 3/4"	11/16" (M)	55mm

Las referencias originales tienen un propósito identificativo.  
Nuestras piezas no son originales.

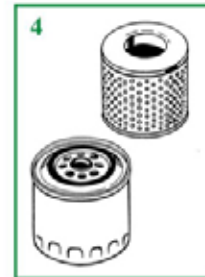
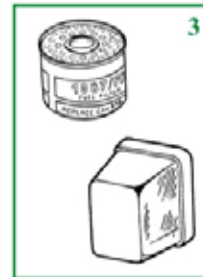
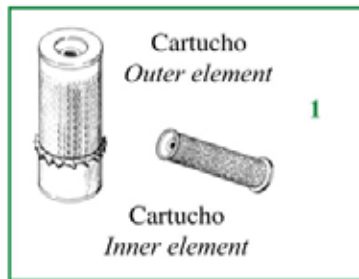
Part numbers are quoted for reference purposes only.  
Our parts and accessories are not original.





## COSECHADORAS COMBINES

### FILTROS / FILTERS



Cosechadoras Combines	1		2	3	4
	Aire/Air		Aceite Oil	Combustible Fuel	Hidráulico Hydraulic
	Ext. / Out.	Int. / Inn.			
330	<b>60/161-7</b> (AT.20728, AL.17255)		<b>60/97-7</b> (T.19044)	<b>60/111-3</b> (AT.17387) (Sust./Repl. CAV 296)	
430, 530, 630, 730	<b>60/161-38</b> (AH.20487)				
730 (Mot. Perkins 6.354)					<b>60/111-1</b> (1001)  o / or  <b>60/111-3</b> (AT.17387) (Sust./Repl. CAV 296)
925, 932			<b>60/97-7</b> (T.19044)	<b>60/111-3</b> (AT.17387) (Sust./Repl. CAV 296)	
930, 935, 940, 942, 945	<b>60/161-19</b> (AZ.18968)				
948, 950, 955, 960, 970	<b>60/161-35</b> (AZ.20623) (⇄ 952239)  <b>60/161-40</b> (AR.36044) (952240 ⇄)				
952	<b>60/161-31</b> (AZ.30757) Ht.: 377mm  o / or  <b>60/161-35</b> (AZ.20623) Ht.: 353mm	<b>60/162-31</b> (AZ.30758)  o / or  <b>60/162-20</b> (AZ.25498)			
965, 965H	<b>60/161-31</b> (AZ.30757) (⇄ 015187)  <b>60/161-41</b> (AZ.20625) (015188 ⇄)				<b>60/97-39</b> (AZ.22878)

Las referencias originales tienen un propósito identificativo.  
 Nuestras piezas no son originales.

Part numbers are quoted for reference purposes only.  
 Our parts and accessories are not original.



**"THE RELIABLE SERVICE"**



Cosechadoras Combindes	1		2	3	4	
	Aire/Air		Aceite Oil	Combustible Fuel	Hidráulico Hydraulic	
	Ext. / Out.	Int. / Inn.				
968H	60/161-41 (AZ.20625) (⇄ 015187)		60/97-7 (T.19044)		60/97-39 (AZ.22878)	
975	60/161-42 (AZ.23642) (⇄ 015787)					
	60/161-43 (AZ.26091) (015788 ⇄)	60/162-40 (AZ.26007) (015788 ⇄)				
985	60/161-43 (AZ.26091)	60/162-40 (AZ.26007)				
985 H4 (Hydro 4)						
1032, 1042, 1133, 1144	60/161-19 (AZ.18968)		60/97-7 (T.19044)			
1052	60/161-35 (AZ.20623)	60/162-20 (AZ.25498)				
1055	60/161-41 (AZ.20625)	60/162-41 (AZ.25867)				
1068H						
MD1065, MD1072, MD1075, MD1075H4	60/161-31 (AZ.30757)	60/162-31 (AZ.30758)			60/111-12 (AR.50041)	60/97-39 (AZ.22878)
MD1085, MD1085H4 (Hydro 4)	60/161-43 (AZ.26091)	60/162-40 (AZ.26007)				
1155	60/161-35 (AZ.20623)	60/162-20 (AZ.25498)				
1157	60/161-41 (AZ.20625)	60/162-41 (AZ.25867)				
1158						
1166H, 1166 Hydro 4, 1166SII, 1166SII Hydro 4, 1169H, 1169 Hydro 4, 1174, 1174 Hydro 4, 1174SII	60/161-31 (AZ.30757)	60/162-31 (AZ.30758)				60/97-39 (AZ.22878)
					60/111-12 (AR.50041)	60/240-2 (AR.75603) (Transmisión Transmission)
1177, 1177SII	60/161-31 (AZ.30757) Ø 198mm (⇄ 056349)	60/162-31 (AZ.30758) (⇄ 056349)				60/97-39 (AZ.22878)
	60/161-43 (AZ.26091) Ø 228mm (056350 ⇄)	60/162-40 (AZ.26007) (056350 ⇄)				

Las referencias originales tienen un propósito identificativo.  
 Nuestras piezas no son originales.

Part numbers are quoted for reference purposes only.  
 Our parts and accessories are not original.

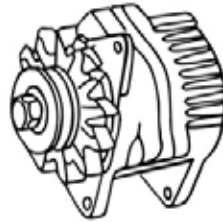


**"THE RELIABLE SERVICE"**



## COSECHADORAS COMBINES

### ● ALTERNADORES / ALTERNATORS

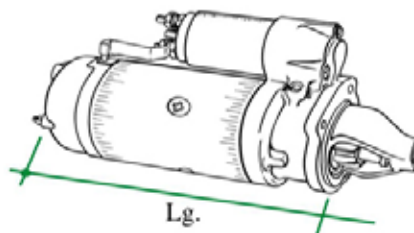


Tractores Tractors	Alternador Alternator	Capacidad Capacity	Comentarios Comment	OEM OEM	Regulador Control box
Cosechadoras Combines 925, 935, 945, 952, 955, 965, 975	<b>62/920-17</b> (15/1995)	14V., 33 Amp.		AL.36100	<b>62/919-16</b> (205/01007)
Cosechadoras Combines 1032, 1042, 1052, 1055 (↔ 06/89)	<b>62/920-16</b> (15/1453) (W)	14V., 55 Amp.	Correa/ Belt 17mm	AL.35998 AL.67175 AL.81346	<b>62/919-17</b> (205/04034)
	<b>62/920-19</b> (15/1498)	14V., 80 Amp.			<b>62/919-18</b> (205/01024)
Cosechadoras Combines 1032, 1042, 1052, 1055 (07/89 ↔)	<b>62/920-20</b> (15/1009)	14V., 70 Amp.	Correa/ Belt 17mm		<b>62/919-17</b> (205/04034)

(W) Conexión eléctrica / Electrical connection

### ● MOTORES DE ARRANQUE / STARTERS

**Transmisión :** 11Z = 11 dientes  
**Fijación :** Número de agujeros  
R: Montage deha  
L: Montaje izq.



**Drive :** 11Z = 11 teeth  
**Fixtting :** Numbers of holes  
R : RH mounting  
L : LH mounting

Tractores Tractors	Ref. n° Order n°	Transmisión Drive ass.	Fijación Fitting	Longitud sobresaliente Prominent length	Capacidad Capacity	OEM
Cosechadoras Mot. 3, 4 & 6 cil. Combines 3, 4 & 6 cyl. engines	<b>62/930-25</b> (15/06804JD)	10Z	2R	250	12 V., 3,5 KW	AR.70436
	<b>62/930-86</b> (15/70436AR)			255	12V., 3 KW	

Las referencias originales tienen un propósito identificativo.  
Nuestras piezas no son originales.

Part numbers are quoted for reference purposes only.  
Our parts and accessories are not original.



Replacement Parts Suitable for

**John Deere**

**Agrícola Blasco S.L.**

Telfno. 96 661 52 44 - Fax. 96 545 53 91

[www.agricolablasco.com](http://www.agricolablasco.com)

[info@agricolablasco.com](mailto:info@agricolablasco.com).

TIENDA Y TALLER  
PARQUE AGROALIMENTARIO  
L'ALCUDIA  
C/ CERRO DE LOS SANTOS Nº 12  
ELCHE (ALICANTE) 03294