

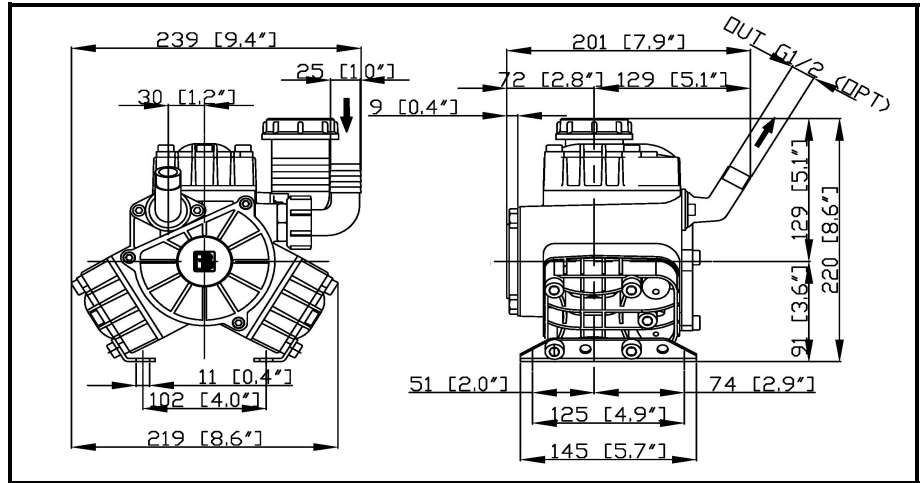
DESPIECE BOMBA- MEMBRANAS PA 430.1 VF

BERTOLINI
pumps

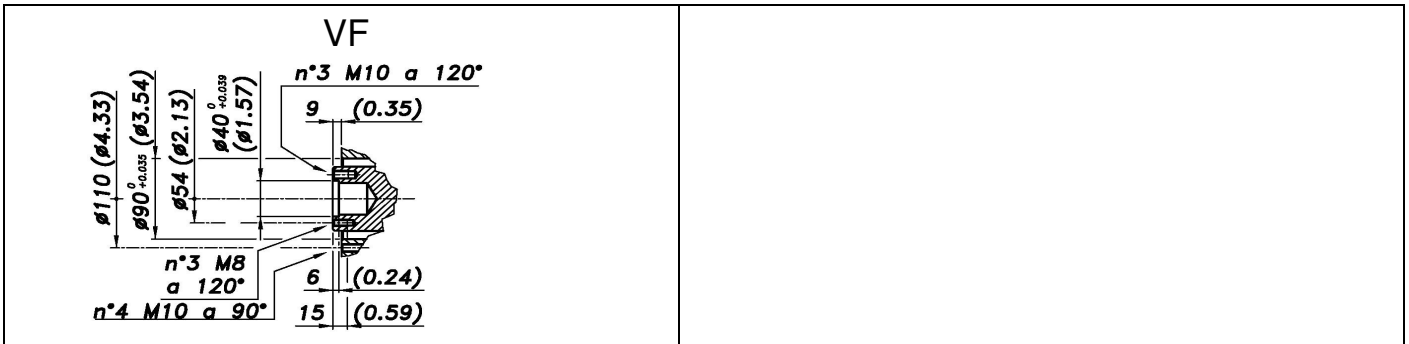
PARA MÁS CONSULTAS O DUDAS:
LLÁMANOS: 96 545 53 91 - 96 661 52 44
MÁNDANOS UN WHATSAPP 609 87 53 95
O UN E-MAIL : INFO@BLASCOMOTOR.COM

WWW.AGRICOLABLASCOONLINE.COM

DIMENSIONI D'INGOMBRO - OVERALL DIMENSIONS



ALBERO POMPA - PUMP SHAFT



COPPIA DI SERRAGGIO - TORQUE CHART

| CODICE - CODE | Q.TY | POS | N-m | Lbr.ft |
|-----------------------------------|------|-----|-----|--------|
| 86.2131.00.2 | 3 | 9 | 10 | 7.4 |
| 86.2730.00.2 | 2 | 20 | 10 | 7.4 |
| 86.2168.00.2 | 2 | 7 | 10 | 7.4 |
| 86.2893.00.2 | 11 | 43 | 22 | 16.2 |
| 86.2900.00.2 | 4 | 13 | 22 | 16.2 |
| 86.3185.00.2 | 4 | 36 | 22 | 16.2 |
| 03.0021.97.3 | 3 | 44 | 5 | 3.7 |
| | | | | |
| | | | | |
| | | | | |
| Tolleranza di serraggio: 0/-10% | | | | |
| Tolerance on torque value: 0/-10% | | | | |

INFORMAZIONI UTILI
USEFUL INFORMATION

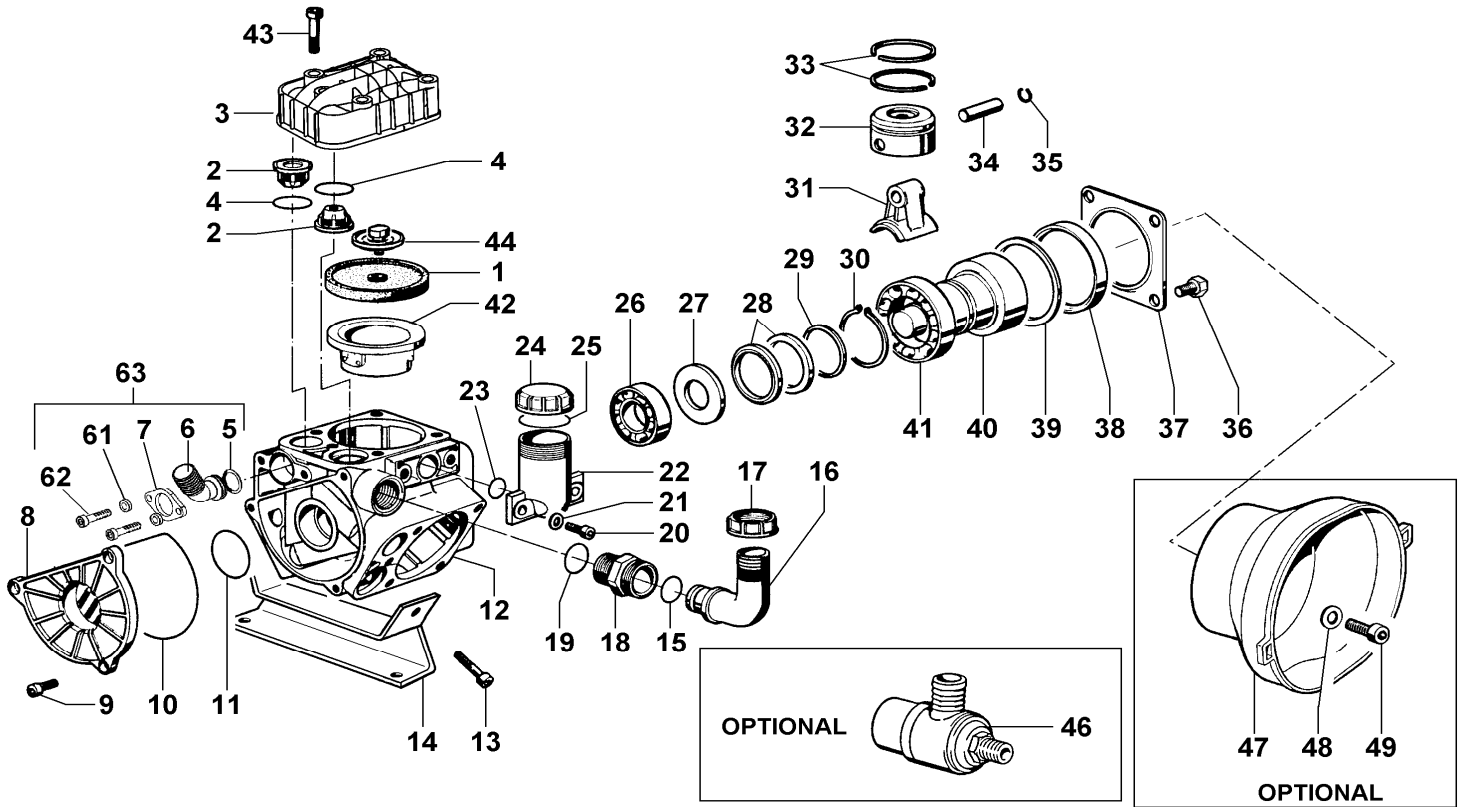
| | | | | |
|---|-------|------|---------|---------|
| LUBRIFICANTE- LUBRICANT: | | | | |
| OLIO MOTORE O SEMIDRAULICO SAE 30 MOTOR OIL OR SEMI-HYDRAULIC OIL SAE 30 | | | | |
| PRESSIONE ACCUMULATORE ACCUMULATOR PRESSURE | | | | |
| PRESSIONE DI LAVORO - OPERATING PRESSURE | 2 ÷ 5 | 5÷10 | 10 ÷ 20 | 20 ÷ 50 |
| ACCUMULATORE ACCUMULATOR | / | / | / | / |

KIT MEMBRANE - DIAPHRAGMS KIT

| KIT | 03.9876.97.3 | | 03.9877.97.3 | | 03.9872.97.3 | | | | | | | | | |
|--|--------------|---|--------------|---|--------------|---|--|--|--|--|--|--|--|--|
| POSIZIONE ESPLOSO POSITION NUMBER | BUNA - N | | DESMOPAN | | PENTAX | | | | | | | | | |
| | 1 | 4 | 1 | 4 | 1 | 4 | | | | | | | | |
| QUANTITA' NEL KIT QUANTITIES INCLUDED | 3 | 6 | 3 | 6 | 3 | 6 | | | | | | | | |

KIT POMPA/KIT VALVOLE - PUMP KIT/VALVES KIT

| KIT | 03.9874.97.3 | | | | 03.9875.97.3 | | | | | | | | | |
|--|-----------------------------|----|----|----|--------------------------|---|--|--|--|--|--|--|--|--|
| POSIZIONE ESPLOSO POSITION NUMBER | KIT POMPA VM PUMP KIT VM | | | | KIT VALVOLE VALVE KIT | | | | | | | | | |
| | 4 | 38 | 10 | 11 | 2 | 4 | | | | | | | | |
| QUANTITA' NEL KIT QUANTITIES INCLUDED | 6 | 1 | 1 | 1 | 6 | 6 | | | | | | | | |



| POS. | CODICE PART NO. REF. | DENOMINAZIONE - DESCRIPTION - DESCRIPTION | Q.TY |
|------|----------------------|---|------|
| 1 | 03.0040.31.2 | PISTON DIAPHRAGM | 3 |
| 1 | 03.0040.00.2 | DESMOPAN PISTON DIAPHRAGM | 3 |
| 1 | 03.0040.36.2 | HPS PISTON DIAPHRAGM | 3 |
| 2 | 03.9821.97.3 | VALVE ASSY | 6 |
| 3 | 03.0202.09.2 | HEAD | 3 |
| 4 | 03.0029.36.2 | VALVE SEAL | 6 |
| 5 | 80.3218.00.2 | O-RING 3,0x22 | 1 |
| 6 | 31.1515.09.2 | OUTLET FLANGE G.1/2 | 1 |
| 7 | 31.1517.61.2 | FLANGE | 1 |
| 8 | 03.0003.09.2 | SUCTION COVER | 1 |
| 9 | 86.2131.00.2 | SCREW M6x18 UNI5931 | 3 |
| 10 | 80.3210.66.2 | O-RING 2,62x101,27 | 1 |
| 11 | 80.3208.30.2 | O-RING 2,62x36,14 | 1 |
| 12 | 03.0001.09.2 | CRANKCASE | 1 |
| 13 | 86.2900.00.2 | SCREW M8x55 UNI5931 | 4 |
| 14 | 03.0033.61.2 | MOUNTING RAIL | 2 |
| 15 | 80.3200.00.2 | O-RING 2,62x22,22 | 1 |
| 16 | 84.0542.00.2 | 90° ELBOW CONNECTOR DIA.25-1" | 1 |
| 17 | 82.0049.00.2 | WING NUT M34 | 1 |
| 18 | 83.5062.10.2 | NIPPLES G.3/4-M34 | 1 |
| 19 | 80.3205.00.2 | O-RING 2,62x25,07 | 1 |
| 20 | 86.2730.00.2 | SCREW M8x30 UNI5931 | 2 |
| 21 | 84.3685.00.2 | WASHER DIA.8,4x15x1,5 | 2 |
| 22 | 23.0008.32.2 | OIL FILLER | 1 |
| 23 | 80.3180.00.2 | O-RING 2,62x15,08 | 1 |
| 24 | 85.2750.00.2 | OIL FILLER CAP | 1 |
| 25 | 82.4120.00.2 | GASKET DIA.45x19x1,5 | 1 |

| POS. | CODICE PART NO. REF. | DENOMINAZIONE - DESCRIPTION - DESCRIPTION | Q.TY |
|------|----------------------|---|------|
| 26 | 81.2646.00.2 | BEARING DIA.20x52x15 | 1 |
| 27 | 03.0011.61.2 | SPACER | 1 |
| 28 | 94.0047.76.2 | CONROD RING | 2 |
| 29 | 03.0012.61.2 | SPACER | 1 |
| 30 | 80.1331.00.2 | SHAFT RING D.45 | 1 |
| 31 | 03.0005.09.2 | CONROD | 3 |
| 32 | 03.0006.09.2 | PISTON | 3 |
| 33 | 81.8502.50.2 | PISTON RING | 6 |
| 34 | 85.2006.00.2 | PISTON PIN DIA.10 | 3 |
| 35 | 80.0003.00.2 | RING DIA.10 | 6 |
| 36 | 86.3185.00.2 | SCREW M10x16 UNI5739 | 4 |
| 37 | 17.0013.61.2 | COVER | 1 |
| 38 | 80.2264.10.2 | OIL SEAL DIA.68x90x10 | 1 |
| 39 | 03.0015.61.2 | SPACER | 1 |
| 40 | 03.0018.26.2 | CRANKSHAFT | 1 |
| 41 | 81.2933.00.2 | BEARING DIA.45x75x16 | 1 |
| 42 | 03.0008.01.2 | PISTON SLEEVE | 3 |
| 43 | 86.2893.00.2 | SCREW M8x50 UNI5931 | 11 |
| 44 | 03.0021.97.3 | KIT DIAPHRAGM WASHER/SCREW AISI 316 | 3 |
| 46 | 24.3040.97.3 | SAFETY VALVE 40bar (OPTIONAL) | 1 |
| 47 | 31.1482.32.2 | PLAIN SAFETY CONE (OPTIONAL) | 1 |
| 48 | 84.3810.00.2 | WASHER DIA.10,5x21x2 (OPTIONAL) | 4 |
| 49 | 86.3212.00.2 | SCREW M10x20 UNI5931 (OPTIONAL) | 4 |
| 61 | 84.3585.00.2 | WASCHER D.6 UNI6592 | 2 |
| 62 | 86.2108.00.2 | SCREW M6X16 UNI5931 | 2 |
| 63 | 31.8916.97.3 | KIT G.1/2" | 1 |