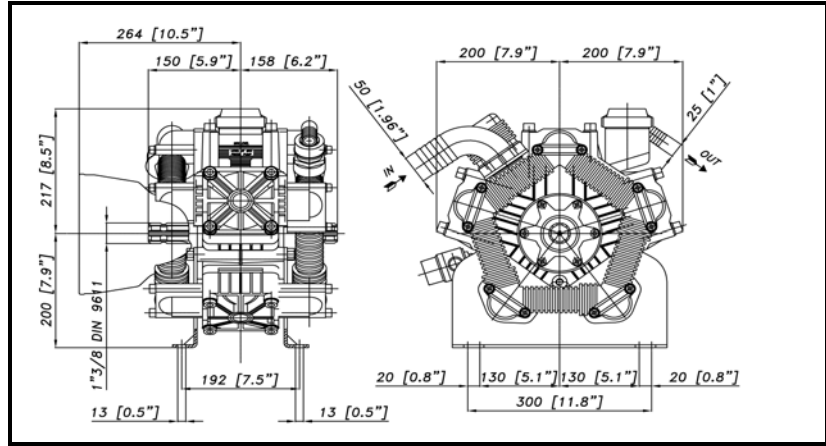


# DESPIECE BOMBA- MEMBRANAS POLY 2210

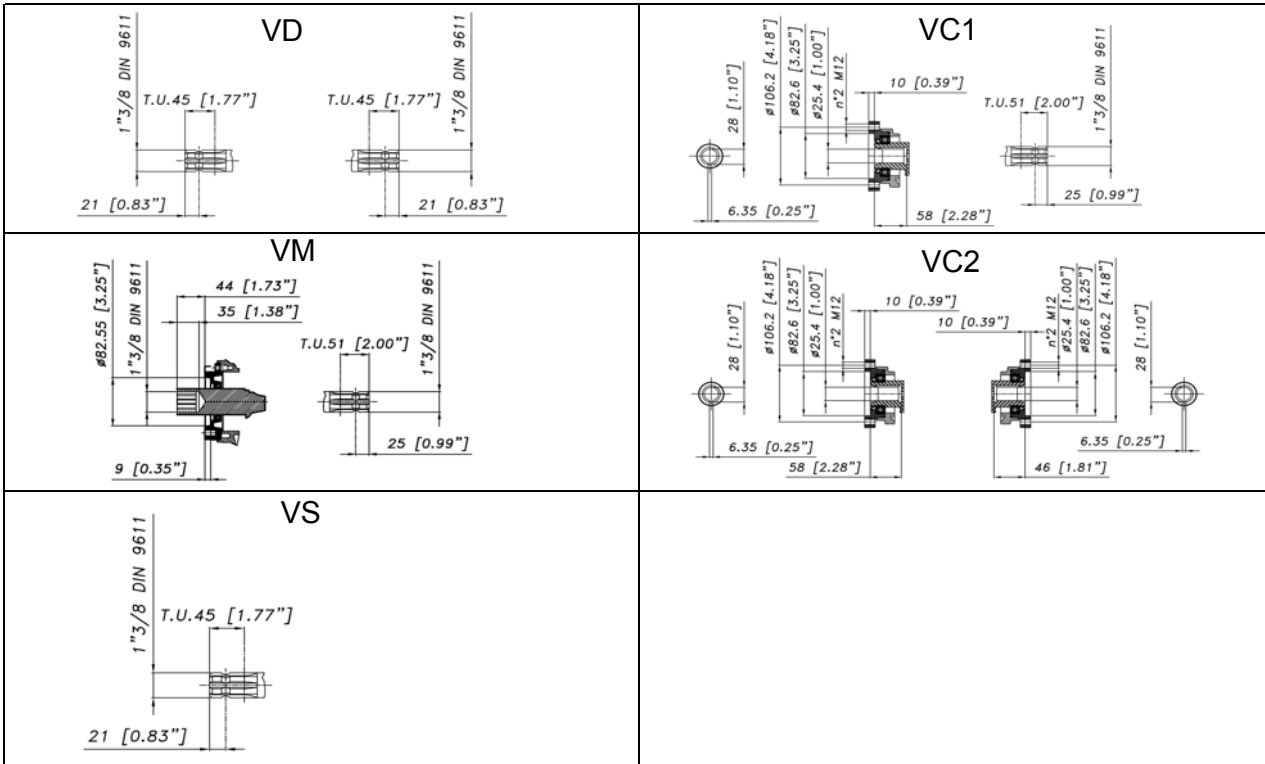
**BERTOLINI**  
pumps

PARA MÁS CONSULTAS O DUDAS:  
LLÁMANOS: 96 545 53 91 - 96 661 52 44  
MÁNDANOS UN WHATSAPP 609 87 53 95  
O UN E-MAIL : INFO@BLASCOMOTOR.COM

**WWW.AGRICOLABLASCOONLINE.COM**



ALBERO POMPA - PUMP SHAFT



COPPIA DI SERRAGGIO - TORQUE CHART				
CODICE - CODE	Q.TY	POS	N-m	Lbr.ft
62.9511.97.3	5	9	25	18.4
85.2576.00.2	2	40	5	3.7
			(LOXEAL 24-18)	(LOXEAL 24-18)
86.2682.50.2	2	18	8	5.9
86.3694.50.2	1	55	40	29.5
86.2562.50.2	6	46	22	16.3
86.2682.50.2	2	64	22	16.3
86.2990.00.2	20	31	10	7.4
86.4139.00.2	3	53	40	29.5
86.4068.00.2	20	8	40	29.5

Tolleranza di serraggio: 0/-10%  
Tolerance on torque value:

INFORMAZIONI UTILI USEFUL INFORMATION				
LUBRIFICANTE - LUBRICANT: OLIO MOTORE O SEMIDRAULICO SAE 30 MOTOR OIL OR SEMI-HYDRAULIC OIL SAE 30				
PRESSIONE ACCUMULATORE ACCUMULATOR PRESSURE				
PRESSIONE DI LAVORO - OPERATING PRESSURE	2 + 5	5 + 10	10 + 20	20 + 50
ACCUMULATORE ACCUMULATOR	2	2 + 5	5 + 7	6 + 8

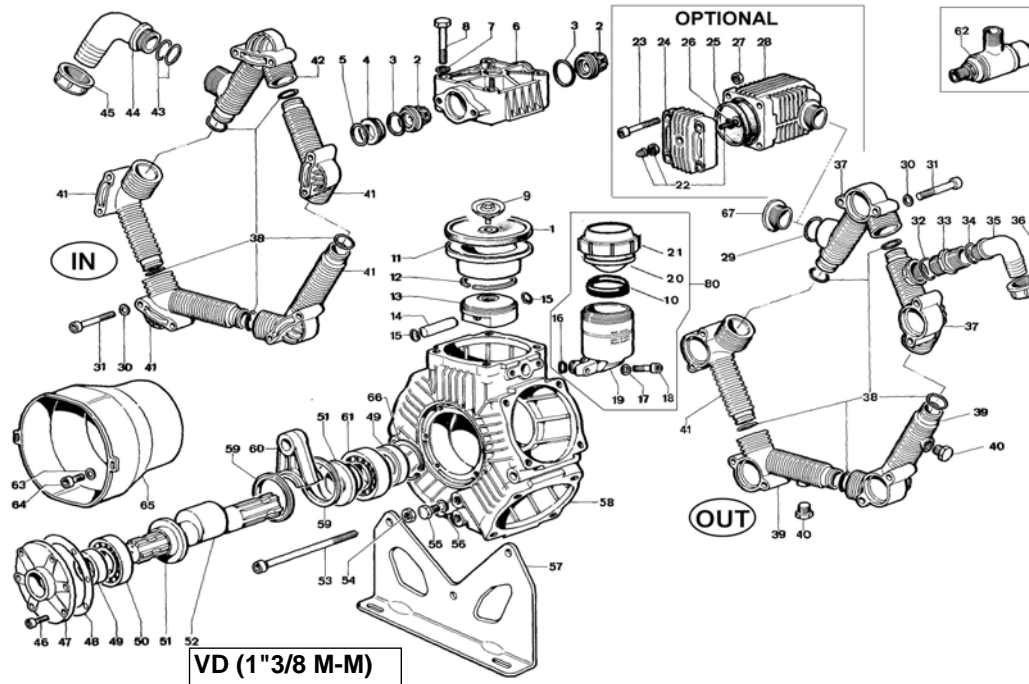
KIT MEMBRANE - DIAPHRAGMS KIT

KIT	55.9804.97.3	BUNA - N	55.9805.97.3	DESMOPAN	55.9807.97.3	VITON					55.9812.97.3	PENTAX	
POSIZIONE ESPLOSO POSITION NUMBER		1 3		1 3		1 3 29 32 5 38					1 3		
QUANTITA' NEL KIT QUANTITIES INCLUDED	55.9804.97.3	5 10	55.9805.97.3	5 10	55.9807.97.3	5 10 1 1 5 10	55.9812.97.3	5 10	5 10	55.9812.97.3	5 10	5 10	

KIT POMPA/KIT VALVOLE - PUMP KIT/VALVES KIT

KIT	55.9801.97.3	KIT POMPA VD VD PUMP KIT					55.9814.97.3	KIT POMPA VC1/VM VC1/VM PUMP KIT					55.9815.97.3	KIT POMPA VC2 VC2 PUMP KIT					55.9802.97.3	VALVOLE VALVES			55.9803.97.3	VALVOLE VALVES IN/IX		
POSIZIONE ESPLOSO POSITION NUMBER		3 38 48 49 5				38 3 5 48 69 49					38 3 5 48 69 74				2 3 5			2 3 5								
QUANTITA' NEL KIT QUANTITIES INCLUDED	55.9801.97.3	10 10 1 2 5	55.9814.97.3	10 10 5 1 1 1	55.9815.97.3	10 10 5 1 1 1	55.9802.97.3	10 10 5	55.9803.97.3	10 10 5																

# POLY 2210 VD (1"3/8 M-M)



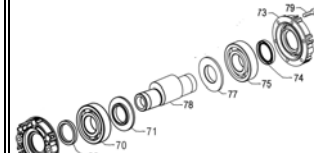
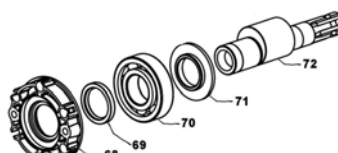
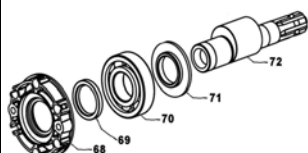
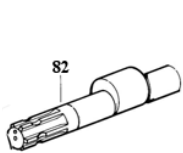
## VERSIONI

VS (1"3/8 M)

VM (1"3/8 M-F)

VC1 (1"3/8 - D.1" M-F)

VC2 (D.1" F-F)



POS.	CODICE PART NO. REF.	DENOMINAZIONE - DESCRIPTION - DESCRIPTION	Q.TY	POS.	CODICE PART NO. REF.	DENOMINAZIONE - DESCRIPTION - DESCRIPTION	Q.TY
1	62.0040.00.2	DESMOPAN PISTON DIAPHRAGM	5	38	80.3250.00.2	O-RING 3,53X31,34	10
1	62.0040.31.2	BUNA-N PISTON DIAPHRAGM (OPT.)	5	38	80.3250.10.2	O-RING 3,53X31,34 (KIT VITON)	10
1	62.0040.33.2	VITON PISTON DIAPHRAGM (OPT.)	5	39	55.0009.32.2	MANIFOLD PIPE G.3/8"	2
1	62.0040.36.2	HPS PISTON DIAPHRAGM (OPT.)	5	40	85.2576.00.2	CAP G.3/8	2
2	28.9809.97.3	S.S. VALVE ASSY	10	41	55.0006.32.2	MANIFOLD PIPE	5
3	80.3314.00.2	O-RING 4,5x40	10	42	55.0007.32.2	MANIFOLD PIPE G.2"	1
3	80.3314.50.2	O-RING 4,5x40 (KIT VITON)	10	43	80.3209.10.2	O-RING 2,62x40,95	2
4	28.0229.32.2	VALVE ASSY SPACER	5	44	84.0610.00.2	90° ELBOW CONNECTOR DIA.50-1,96"	1
5	80.3209.40.2	O-RING 2,62x44,12	5	44	84.1643.00.2	STRAIGHT CONNECTOR DIA.50-1,96" (optional)	1
5	80.3209.50.2	O-RING 2,62x44,12 (KIT VITON)	5	45	82.0120.00.2	WING NUT G.2"	1
6	62.0025.32.2	HEAD	5	46	86.2562.50.2	BOLT M8x20 UNI5931	6
7	84.3844.50.2	WASHER DIA.12,2x21x2,5	20	47	14.0011.09.2	COVER	1
8	86.4068.00.2	BOLT M12x75 UNI5931	20	48	91.0110.72.2	COVER GASKET	1
9	62.9811.97.3	KIT BOLT/DISK S.S.	5	49	80.2143.10.2	OIL SEAL DIA.35x52x7	2
10	14.0116.32.2	SPACER	1	50	81.2876.00.2	BEARING DIA.35x100x25	1
11	62.0019.01.2	PISTON SLEEVE	5	51	14.0016.01.2	SHAFT SPACER	2
12	81.8540.00.2	PISTON RING DIA.78	5	52	14.0009.26.2	CRANKSHAFT "VD" VERSION	1
13	62.0018.09.2	PISTON DIA.78	5	53	86.4139.00.2	BOLT M12x160	3
14	85.2006.70.2	PISTON PIN DIA.15	5	54	81.4689.50.2	M12 UNI 5589 DACROMET NUT	3
15	80.0021.00.2	RING DIA.15	10	55	86.3694.50.2	BOLT M12x20 UNI5931	1
16	80.3180.00.2	O-RING 2,62x15,08	1	56	82.4079.00.2	GASKET DIA.13,2x17x1 COPPER	1
17	84.3685.50.2	WASHER DIA.8,2x15x1,5	2	57	55.0003.61.2	MOUNTING RAIL	2
18	86.2682.50.2	BOLT M8x25 UNI5931	2	58	55.0001.09.2	CRANKCASE	1
19	55.0004.32.2	OIL FILLER	1	59	14.0015.76.2	CONROD RING	2
20	41.0017.31.2	DIAPHRAGM OIL FILLER	1	60	55.0005.11.2	CONROD	5
21	28.0144.32.2	OIL FILLER CAP	1	61	81.2867.00.2	BEARING DIA.35x80x21	1
22	86.1608.50.2	AIR VALVE	1	62	24.3016.97.3	SAFETY VALVE 15bar (OPTIONAL)	1
23	86.2752.10.2	BOLT M8x35 UNI5931	4	63	84.3696.00.2	WASHER DIA.8,5x24x2	2
24	11.0004.09.2	BALLASTER COVER	1	64	86.2682.50.2	BOLT M8x25 UNI5931	2
25	23.0041.31.2	BALLASTER DIAPHRAGM	1	65	31.1482.32.2	PLAIN SAFETY CONE L=180 (OPTIONAL)	1
25	23.0041.33.2	VITON BALLASTER DIAPHRAGM (OPT.)	1	65	31.1468.32.2	PLAIN SAFETY CONE L=135 (OPTIONAL)	1
23	23.0041.36.2	HPS BALLASTER DIAPH. (OPT.)	1	66	80.1369.00.2	RING DIA.52	1
26	80.3213.00.2	O-RING 3,0x6	1	67	85.2720.00.2	CAP G.1"	1
27	81.4574.50.2	NUT M8 UNI5588	4	68	14.0037.07.2	CAP	1
28	27.0035.32.2	DAMPER BODY	1	69	80.2191.10.2	OIL SEAL DIA.45x62x7	1
29	80.3219.10.2	O-RING 3,0x30	1	70	81.2945.00.2	BEARING DIA.45x100x25	1
29	80.3219.15.2	O-RING 3,0x30 (KIT VITON)	1	71	14.0038.61.2	CIRCLIP DIA.45	1
30	84.3685.50.2	WASHER DIA.8,2x15x1,5	20	72	14.0041.26.2	CRANKSHAFT "VC" VERSION	1
31	86.2990.00.2	BOLT M8x70 UNI5931	20	72	14.0040.26.2	CRANKSHAFT "VM" VERSION	1
32	80.3219.10.2	O-RING 3,0x30	1	73	14.0111.07.2	HODRAULIC MOTOR FLANGE	1
32	80.3219.15.2	O-RING 3,0x30 (KIT VITON)	1	74	80.2178.10.2	OIL SEAL DIA.40x52x17	1
33	83.5089.00.2	NIPPLES G.1"-G.1 1/4	1	75	81.2900.00.2	BEARING DIA.40x80x18	1
34	80.3219.00.2	O-RING 3,0x25	1	77	14.0110.61.2	SPACER	1
35	84.0542.40.2	90° ELBOW CONNECTOR DIA.25-1"	1	78	14.0109.26.2	HOLLOW SHAFT	1
35	84.1608.40.2	STRAIGHT CONNECTOR DIA.25-1" (OPT.)	1	79	86.2683.00.2	BOLT M8x25 UNI 5931	4
35	84.0560.00.2	90° ELBOW CONNECTOR DIA.30-1,18" (OPT.)	1	80	55.9817.97.3	OIL FILLER KIT	1
35	84.1620.50.2	STRAIGHT CONNECTOR DIA.30-1,18" (OPT.)	1	81	80.2099.60.2	CAP 52x7	1
36	82.0067.50.2	WING NUT G.1 1/4	1	82	14.0118.26.2	CRANKSHAFT "VS" VERSION	1
37	55.0008.32.2	MANIFOLD PIPE G.1"	2				