

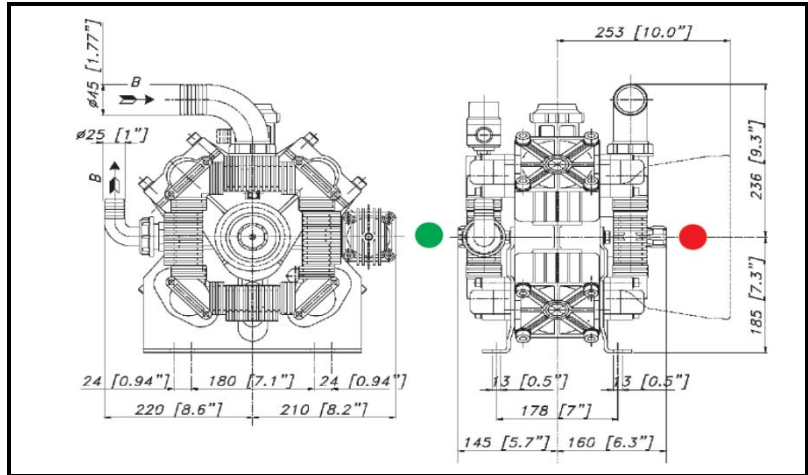
DESPIECE BOMBA- MEMBRANAS POLY 2180

BERTOLINI
pumps

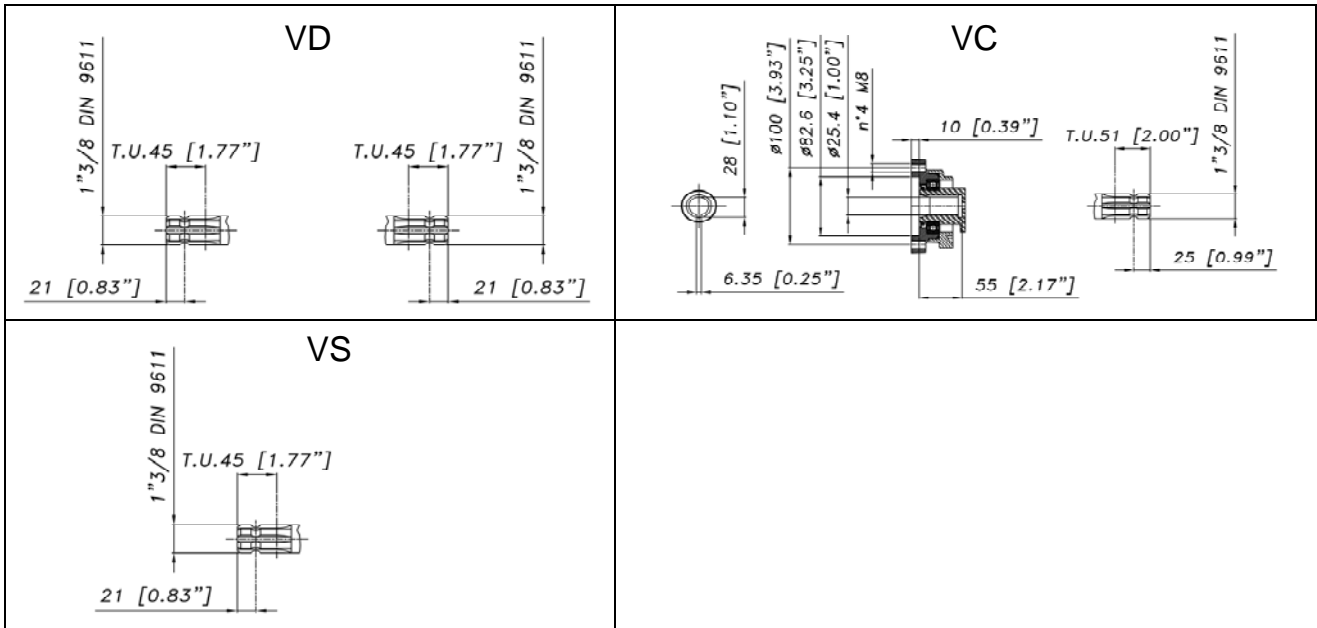
PARA MÁS CONSULTAS O DUDAS:
LLÁMANOS: 96 545 53 91 - 96 661 52 44
MÁNDANOS UN WHATSAPP 609 87 53 95
O UN E-MAIL : INFO@BLASCOMOTOR.COM

WWW.AGRICOLABLASCOONLINE.COM

DIMENSIONI D'INGOMBRO - OVERALL DIMENSIONS



ALBERO POMPA - PUMP SHAFT



COPPIA DI SERRAGGIO - TORQUE CHART

CODICE - CODE	Q.TY	POS	N-m	Lbr.ft
62.9811.97.3	4	48	25	18,4
86.2168.00.2	2	6	5	7,3
86.3694.50.2	1	20	40	29,5
85.2562.50.2	2	17	5 (LOXEAL 24-18)	3,7 (LOXEAL 24-18)
86.2562.50.2	4	43	22	16,3
86.2682.50.2	2	46	22	16,3
86.2960.00.2	16	20	10	7,4
86.3277.00.2	6	61	40	29,5
86.4068.00.2	20	65	40	29,5

Tolleranza di serraggio: 0/-10%
Tolerance on torque value: 0/-10%

**INFORMAZIONI UTILI
USEFUL INFORMATION**

LUBRIFICANTE- LUBRICANT:				
OLIO MOTORE O SEMIDRAULICO SAE 30 MOTOR OIL OR SEMI-HYDRAULIC OIL SAE 30				
PRESSIONE ACCUMULATORE ACCUMULATOR PRESSURE				
PRESSIONE DI LAVORO - OPERATING PRESSURE	2 ÷ 5	5 ÷ 10	10 ÷ 20	20 ÷ 50
ACCUMULATORE ACCUMULATOR	2	2 ÷ 5	5 ÷ 7	6 ÷ 8

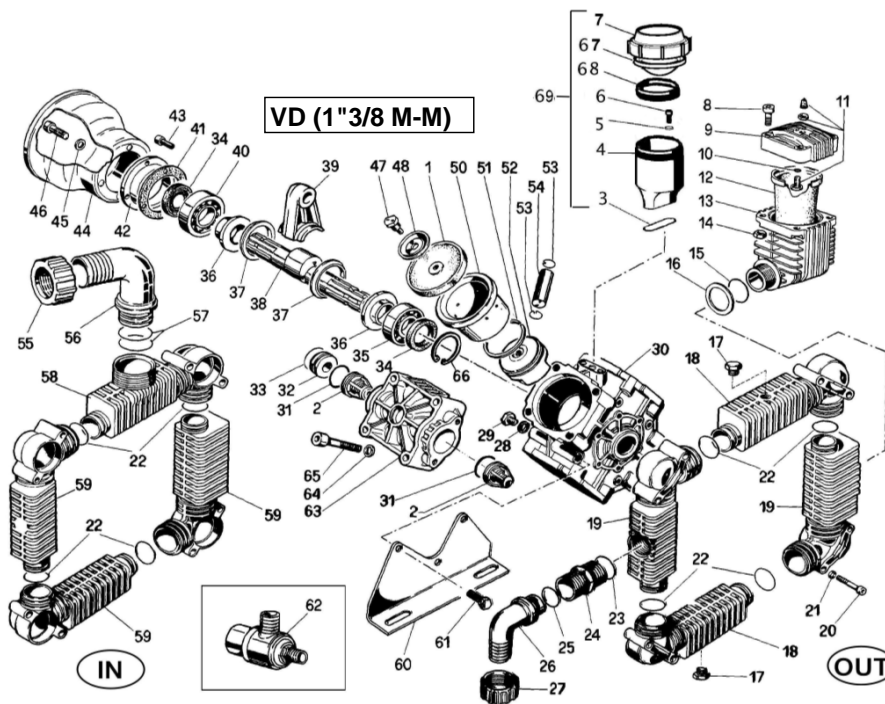
KIT MEMBRANE - DIAPHRAGMS KIT

KIT	BUNA - N			DESMOPAN			VITON					PENTAX									
	28.9886.97.3	1	31	12	28.9887.97.3	1	31	12	28.9889.97.3	1	31	12	33	22	23	15	28.9897.97.3	1	31	12	
POSIZIONE ESPLOSO POSITION NUMBER																					
QUANTITA' NEL KIT QUANTITIES INCLUDED	4	8	1		4	8	1		4	8	1	4	8	1	1		4	8	1		

KIT POMPA/KIT VALVOLE - PUMP KIT/VALVES KIT

KIT	KIT POMPA VD PUMP KIT VD					KIT POMPA VC PUMP KIT VC							KIT VALVOLE VALVES KIT			VALVOLE INOX VALVES KIT			
	28.9883.97.3	22	31	34	41	33	41	34	77	75	28.9884.97.3	2	31	33	28.9885.97.3	2	31	33	
POSIZIONE ESPLOSO POSITION NUMBER																			
QUANTITA' NEL KIT QUANTITIES INCLUDED	8	8	2	1	4	8	8	4	1	1	1	1	8	8	4	8	8	4	

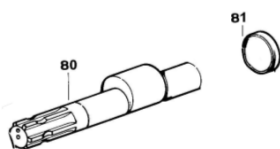
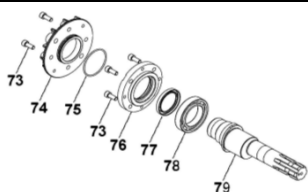
POLY 2180 VD (1"3/8 M-M)



VERSIONI

VC (1"3/8 - D.1" M-F)

VS (1"3/8 M)



POS.	CODICE PART NO. REF.	DENOMINAZIONE - DESCRIPTION - DESCRIPTION	Q.TY	POS.	CODICE PART NO. REF.	DENOMINAZIONE - DESCRIPTION - DESCRIPTION	Q.TY
1	62.0040.00.2	DESMOPAN PISTON DIAPHRAGM	4	35	81.2846.00.2	BEARING DIA.35x72x17	1
1	62.0040.31.2	BUNA-N PISTON DIAPHRAGM (OPTIONAL)	4	36	28.0027.09.2	SHAFT SPACER (VD-VC)	2
1	62.0040.33.2	VITON PISTON DIAPHRAGM (OPT.)	4	36	28.0027.09.2	SHAFT SPACER (VS)	1
1	62.0040.36.2	HPS PISTON DIAPHRAGM (OPT.)	4	37	98.0047.76.2	CONNECTING ROD RING	2
2	28.9905.97.3	S.S. AISI 316 VALVE ASSY (STD.)	8	38	62.0024.26.2	CRANKSHAFT "VD"	1
2	28.9809.97.3	S.S. AISI 303 VALVE ASSY (OPT.)	8	39	28.0033.11.2	CONROD	4
2	63.9800.97.3	POLYPROPYLENE VALVE ASSY (OPT.)	8	40	81.2867.00.2	BEARING DIA.35x80x21	1
3	80.3209.00.2	O-RING 2,62x39,34	1	41	98.0110.72.2	GASKET	1
4	14.0117.32.2	BOWL OIL FILLER	1	42	98.0108.09.2	COVER	1
5	84.3585.00.2	WASHER D.6,4X12,5X1,6	2	43	86.2562.50.2	SCREW M8x20 UNI5931	4
6	86.2168.00.2	SCREW M6x22 UNI5931	2	44	31.1482.32.2	PLAIN SAFETY CONE L=180 (OPTIONAL)	1
7	28.0144.32.2	OIL FILLER CAP	1	44	31.1468.32.2	PLAIN SAFETY CONE L=135 (OPTIONAL)	1
8	86.2752.10.2	SCREW M8x35 UNI5931	4	45	84.3710.00.2	WASHER DIA.8,5x24x2	4
9	11.0004.09.2	BALLASTER COVER	1	46	86.2682.50.2	SCREW M8x25 UNI5931	4
10	80.3213.00.2	O-RING 3,0x6	1	48	62.9811.97.3	KIT SCREW/DISK INOX	4
11	86.1608.50.2	AIR VALVE	1	50	62.0019.01.2	PISTON SLEEVE	4
12	23.0041.31.2	BALLASTER DIAPHRAGM	1	51	81.8540.00.2	PISTON RING DIA.78	4
12	23.0041.33.2	VITON BALLASTER DIAPHRAGM (OPT.)	1	52	62.0018.09.2	PISTON DIA.78	4
12	23.0041.36.2	HPS BALLASTER DIAPHRAGM (OPT.)	1	53	80.0021.00.2	RING DIA.15	8
13	27.0035.32.2	DAMPER BODY	1	54	85.2006.70.2	PISTON PIN DIA.15	4
14	81.4574.50.2	NUT M8 UNI5588	4	55	82.0120.00.2	WING NUT G.2"	1
15	80.3247.50.2	O-RING 3,53x28,17	1	56	84.0596.00.2	90° ELBOW CONNECTOR DIA.45-1,77"	1
15	80.3247.60.2	O-RING 3,53x28,17 (KIT VITON)	1	56	84.1642.80.2	STRAIGHT CONNECTOR D.45-1,77" (optional)	1
16	27.0037.46.2	SPACER	1	56	84.1643.00.2	STRAIGHT CONNECTOR D.50-1,96 (optional)	1
17	85.2576.00.2	CAP G.3/8	2	56	84.0610.00.2	90° ELBOW CONNECTOR DIA.50-1,96 (OPT.)	1
18	28.0074.32.2	MANIFOLD PIPE WITH HOLE G.3/8	2	57	80.3209.10.2	O-RING 2,62x40,95	2
19	28.0071.32.2	MANIFOLD PIPE G.1"	2	58	28.0072.32.2	MANIFOLD PIPE G.2"	1
20	86.2960.00.2	SCREW M8x65 UNI5931	16	59	28.0070.32.2	INLET-OUTLET MANIFOLD PIPE	3
21	84.3685.50.2	WASHER DIA.8,2x15x1,5	16	60	28.0021.61.2	MOUNTING RAIL	2
22	80.3250.00.2	O-RING 3,53x31,34	8	61	86.3277.00.2	SCREW M10x30 UNI5931	6
22	80.3250.10.2	O-RING 3,53x31,34 (KIT VITON)	8	62	24.3016.97.3	SAFETY VALVE 15bar (OPTIONAL)	1
23	80.3219.10.2	O-RING 3,0x30	1	63	62.0025.32.2	HEAD	4
23	80.3219.15.2	O-RING 3,0x30 (KIT VITON)	1	64	84.3844.50.2	WASHER DIA.12,2x21x2,5	16
24	83.5089.00.2	NIPPLES G.1"-G.1"1/4	1	65	86.4068.00.2	SCREW M12x75 UNI5931	1
25	80.3219.00.2	O-RING 3,0x25	1	66	80.1369.00.2	RING DIA.52	1
26	84.0542.40.2	90° ELBOW CONNECTOR DIA.25-1"	1	67	41.0017.31.2	DIAPHRAGM OIL FILLER	1
26	84.0560.00.2	90° ELBOW CONNECTOR DIA.30-1,18" (OPT.)	1	68	14.0116.32.2	SPACER	1
26	84.0565.00.2	90° ELBOW PIPE FITTING DIA.32-1,25" (OPT.)	1	69	14.9888.97.3	OIL FILLER KIT	1
27	82.0067.50.2	WING NUT G.1"1/4	1	73	86.2588.00.2	SCREW TCEI M8x20	8
28	82.4066.00.2	GASKET	1	74	31.1724.46.2	COVER	1
29	86.3694.50.2	CAP M12	1	75	80.3210.20.2	O-RING DIA.2,62x60	1
30	28.0003.09.2	CRANKCASE	1	76	31.1725.07.2	CENTRAL COVER	1
31	80.3314.00.2	O-RING 4,5x40	8	77	80.2191.10.2	OIL SEAL DIA. 45x62x7	1
31	80.3314.50.2	O-RING 4,5x40 (KIT VITON)	8	78	81.2946.00.2	BEARING 50x80x16	1
32	28.0229.32.2	VALVE ASSY SPACER	4	79	62.0108.26.2	HOLLOW SHAFT VC VERSION	1
33	80.3209.40.2	O-RING 2,62x44,12	4	80	62.0010.26.2	SHAFT "VS"	1
33	80.3209.50.2	O-RING 2,62x44,12 (KIT VITON)	4	81	80.2099.60.2	CAP 52x7	1
34	80.2143.10.2	OIL SEAL DIA.35x52x7	2				