

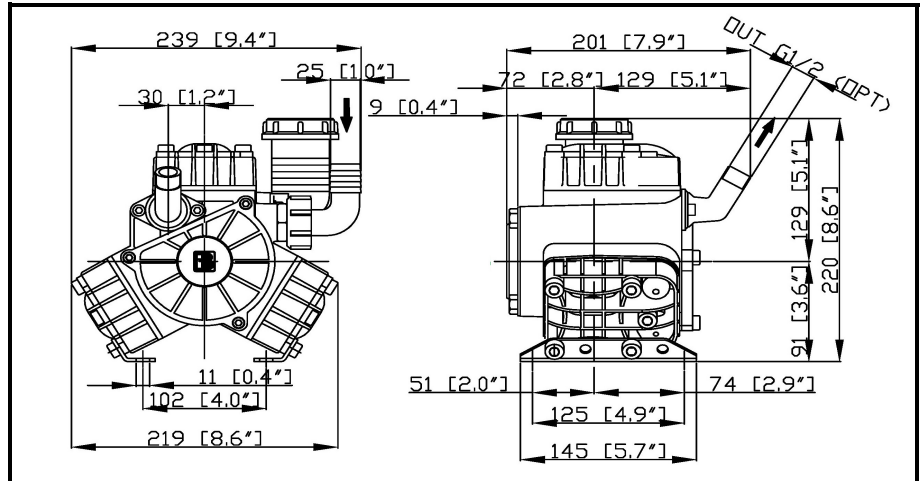
# **DESPIECE BOMBA- MEMBRANAS PA 330.1 VF**

**BERTOLINI**  
pumps

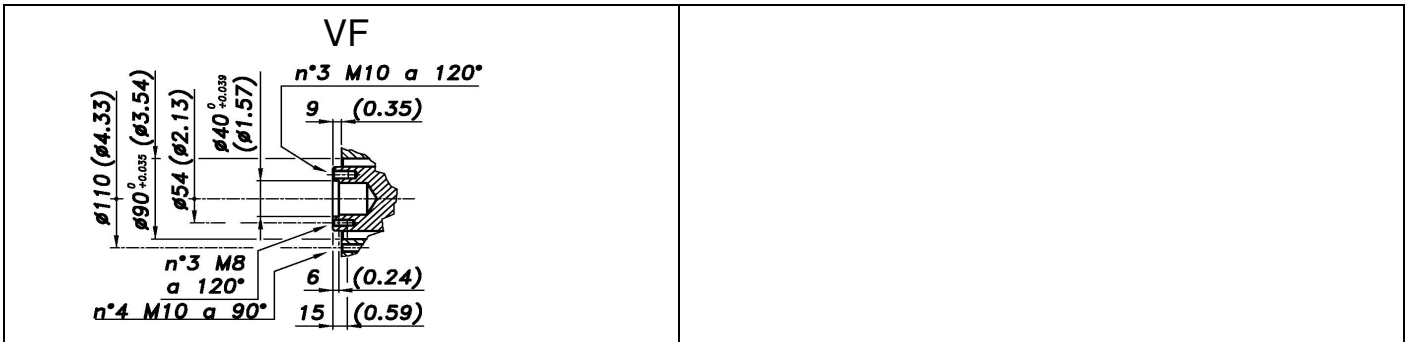
PARA MÁS CONSULTAS O DUDAS:  
LLÁMANOS: 96 545 53 91 - 96 661 52 44  
MÁNDANOS UN WHATSAPP 609 87 53 95  
O UN E-MAIL : INFO@BLASCOMOTOR.COM

**WWW.AGRICOLABLASCOONLINE.COM**

DIMENSIONI D'INGOMBRO - OVERALL DIMENSIONS



ALBERO POMPA - PUMP SHAFT



COPPIA DI SERRAGGIO - TORQUE CHART

| CODICE - CODE                     | Q.TY | POS | N-m | Lbr.ft |
|-----------------------------------|------|-----|-----|--------|
| 86.2131.00.2                      | 3    | 9   | 10  | 7.4    |
| 86.2730.00.2                      | 2    | 20  | 10  | 7.4    |
| 86.2168.00.2                      | 2    | 7   | 10  | 7.4    |
| 86.2893.00.2                      | 11   | 43  | 22  | 16.2   |
| 86.2900.00.2                      | 4    | 13  | 22  | 16.2   |
| 86.3185.00.2                      | 4    | 36  | 22  | 16.2   |
| 03.0021.97.3                      | 3    | 44  | 5   | 3.7    |
|                                   |      |     |     |        |
|                                   |      |     |     |        |
|                                   |      |     |     |        |
|                                   |      |     |     |        |
|                                   |      |     |     |        |
| Tolleranza di serraggio: 0/-10%   |      |     |     |        |
| Tolerance on torque value: 0/-10% |      |     |     |        |

INFORMAZIONI UTILI  
USEFUL INFORMATION

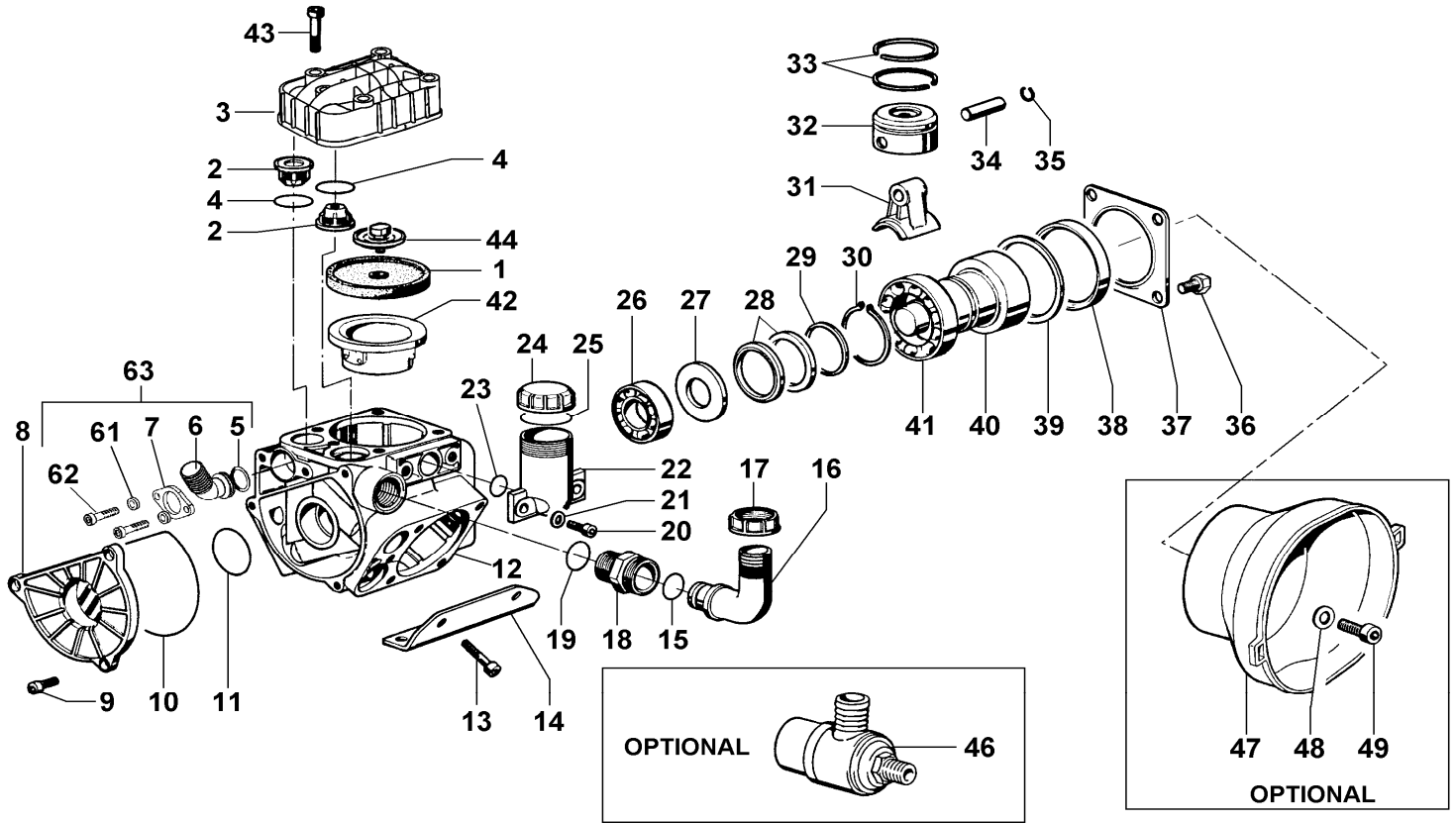
|  |       |      |         |         |
|--|-------|------|---------|---------|
| <b>LUBRIFICANTE- LUBRICANT:</b>  |       |      |         |         |
| OLIO MOTORE O SEMIIDRAULICO SAE 30<br>MOTOR OIL OR SEMI-HYDRAULIC OIL SAE 30 |       |      |         |         |
| <b>PRESSIONE ACCUMULATORE<br/>ACCUMULATOR PRESSURE</b>                       |       |      |         |         |
| <b>PRESSIONE DI LAVORO - OPERATING PRESSURE</b>                              | 2 ÷ 5 | 5÷10 | 10 ÷ 20 | 20 ÷ 50 |
| <b>ACCUMULATORE ACCUMULATOR</b>  | /     | /    | /       | /       |

KIT MEMBRANE - DIAPHRAGMS KIT

| KIT                                      | 03.9876.97.3 | BUNA - N |   | 03.9877.97.3 | DESMOPAN |   | 03.9872.97.3 | PENTAX |   |  |  |  |  |  |  |
|--|--------------|----------|---|--------------|----------|---|--------------|--------|---|--|--|--|--|--|--|
| POSIZIONE ESPLOSO<br>POSITION NUMBER     |              | 1        | 4 |              | 1        | 4 |              | 1      | 4 |  |  |  |  |  |  |
| QUANTITA' NEL KIT<br>QUANTITIES INCLUDED |              | 3        | 6 |              | 3        | 6 |              | 3      | 6 |  |  |  |  |  |  |

KIT POMPA/KIT VALVOLE - PUMP KIT/VALVES KIT

| KIT                                      | 03.9874.97.3 | KIT POMPA VM<br>PUMP KIT VM |    |    |    | 03.9875.97.3 | KIT VALVOLE<br>VALVE KIT |   |  |  |  |  |  |  |  |
|--|--------------|-----------------------------|----|----|----|--------------|--------------------------|---|--|--|--|--|--|--|--|
| POSIZIONE ESPLOSO<br>POSITION NUMBER     |              | 4                           | 38 | 10 | 11 |              | 2                        | 4 |  |  |  |  |  |  |  |
| QUANTITA' NEL KIT<br>QUANTITIES INCLUDED |              | 6                           | 1  | 1  | 1  |              | 6                        | 6 |  |  |  |  |  |  |  |



| POS. | CODICE PART NO. REF. | DENOMINAZIONE - DESCRIPTION - DESCRIPTION | Q.TY |
|------|----------------------|---|------|
| 1    | 03.0040.31.2         | PISTON DIAPHRAGM                          | 3    |
| 1    | 03.0040.00.2         | DESMOPAN PISTON DIAPHRAGM                 | 3    |
| 1    | 03.0040.36.2         | HPS PISTON DIAPHRAGM                      | 3    |
| 2    | 03.9821.97.3         | VALVE ASSY                                | 6    |
| 3    | 03.0202.09.2         | HEAD                                      | 3    |
| 4    | 03.0029.36.2         | VALVE SEAL                                | 6    |
| 5    | 80.3218.00.2         | O-RING 3,0x22                             | 1    |
| 6    | 31.1515.09.2         | OUTLET FLANGE G.1/2                       | 1    |
| 7    | 31.1517.61.2         | FLANGE                                    | 1    |
| 8    | 03.0003.09.2         | SUCTION COVER                             | 1    |
| 9    | 86.2131.00.2         | SCREW M6x18 UNI5931                       | 3    |
| 10   | 80.3210.66.2         | O-RING 2,62x101,27                        | 1    |
| 11   | 80.3208.30.2         | O-RING 2,62x36,14                         | 1    |
| 12   | 03.0001.09.2         | CRANKCASE                                 | 1    |
| 13   | 86.2900.00.2         | SCREW M8x55 UNI5931                       | 4    |
| 14   | 03.0014.61.2         | MOUNTING RAIL                             | 2    |
| 15   | 80.3200.00.2         | O-RING 2,62x22,22                         | 1    |
| 16   | 84.0542.00.2         | 90° ELBOW CONNECTOR DIA.25-1"             | 1    |
| 17   | 82.0049.00.2         | WING NUT M34                              | 1    |
| 18   | 83.5062.10.2         | NIPPLES G.3/4-M34                         | 1    |
| 19   | 80.3205.00.2         | O-RING 2,62x25,07                         | 1    |
| 20   | 86.2730.00.2         | SCREW M8x30 UNI5931                       | 2    |
| 21   | 84.3685.00.2         | WASHER DIA.8,4x15x1,5                     | 2    |
| 22   | 23.0008.32.2         | OIL FILLER                                | 1    |
| 23   | 80.3180.00.2         | O-RING 2,62x15,08                         | 1    |
| 24   | 85.2750.00.2         | OIL FILLER CAP                            | 1    |
| 25   | 82.4120.00.2         | GASKET DIA.45x19x1,5                      | 1    |

| POS. | CODICE PART NO. REF. | DENOMINAZIONE - DESCRIPTION - DESCRIPTION | Q.TY |
|------|----------------------|---|------|
| 26   | 81.2646.00.2         | BEARING DIA.20x52x15                      | 1    |
| 27   | 03.0011.61.2         | SPACER                                    | 1    |
| 28   | 94.0047.76.2         | CONROD RING                               | 2    |
| 29   | 03.0012.61.2         | SPACER                                    | 1    |
| 30   | 80.1331.00.2         | SHAFT RING D.45                           | 1    |
| 31   | 03.0005.09.2         | CONROD                                    | 3    |
| 32   | 03.0006.09.2         | PISTON DIA.48                             | 3    |
| 33   | 81.8502.50.2         | PISTON RING                               | 6    |
| 34   | 85.2006.00.2         | PISTON PIN DIA.10                         | 3    |
| 35   | 80.0003.00.2         | RING DIA.10                               | 6    |
| 36   | 86.3185.00.2         | SCREW M10x16 UNI5739                      | 4    |
| 37   | 17.0013.61.2         | COVER                                     | 1    |
| 38   | 80.2264.10.2         | OIL SEAL DIA.68x90x10                     | 1    |
| 39   | 03.0015.61.2         | SPACER                                    | 1    |
| 40   | 03.0017.26.2         | CRANKSHAFT                                | 1    |
| 41   | 81.2933.00.2         | BEARING DIA.45x75x16                      | 1    |
| 42   | 03.0007.01.2         | PISTON SLEEVE                             | 3    |
| 43   | 86.2893.00.2         | SCREW M8x50 UNI5931                       | 1    |
| 44   | 03.0021.97.3         | KIT DIAPHRAGM WASHER/SCREW AISI 316       | 3    |
| 46   | 24.3040.97.3         | SAFETY VALVE 40bar (OPTIONAL)             | 1    |
| 47   | 31.1482.32.2         | PLAIN SAFETY CONE (OPTIONAL)              | 1    |
| 48   | 84.3810.00.2         | WASHER DIA.10,5x21x2                      | 4    |
| 49   | 86.3212.00.2         | SCREW M10x20 UNI5931                      | 4    |
| 61   | 84.3585.00.2         | WASHER D.6 UNI6592                        | 2    |
| 62   | 86.2108.00.2         | SCREW M6x16 UNI5931                       | 2    |
| 63   | 31.8916.97.3         | KIT G.1/2"                                | 1    |