

# **DESPIECE BOMBA-PISTONES CK 146 180 220 230**

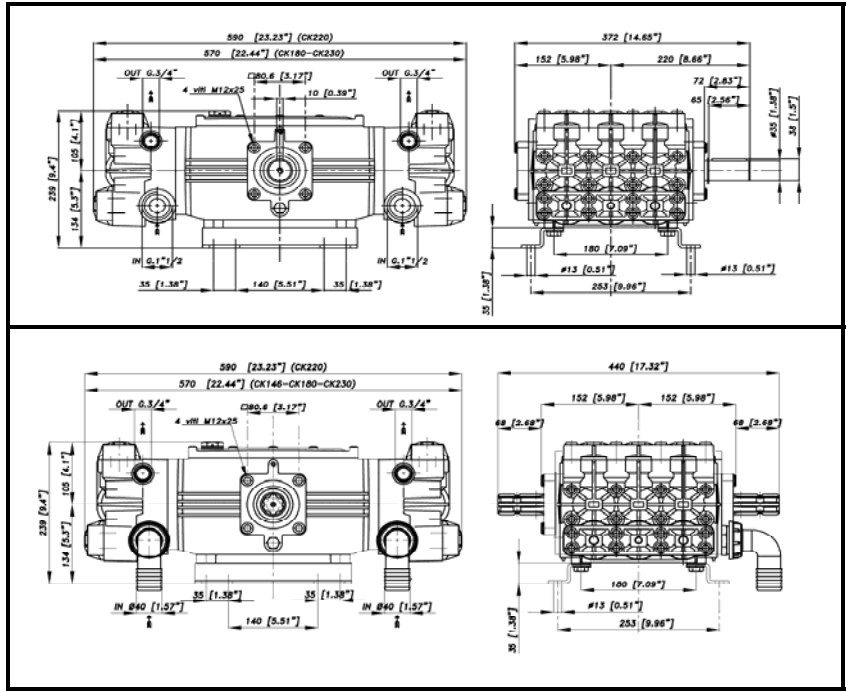
**BERTOLINI**  
pumps

PARA MÁS CONSULTAS O DUDAS:  
LLÁMANOS: 96 545 53 91 - 96 661 52 44  
MÁNDANOS UN WHATSAPP 609 87 53 95  
O UN E-MAIL : INFO@BLASCOMOTOR.COM

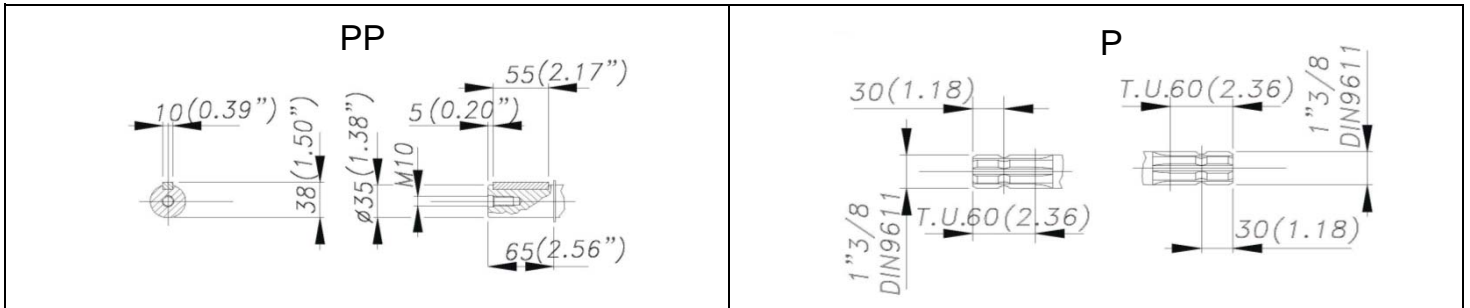
**WWW.AGRICOLABLASCOONLINE.COM**



DIMENSIONI D'INGOMBRO - OVERALL DIMENSIONS



ALBERO POMPA - PUMP SHAFT



COPPIA DI SERRAGGIO - TORQUE CHART

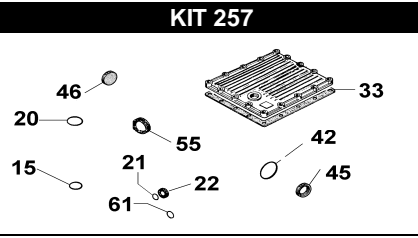
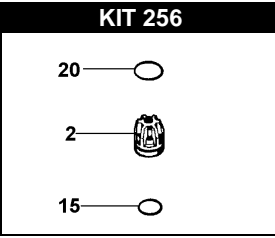
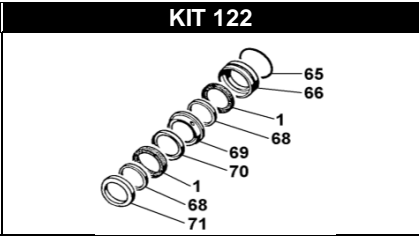
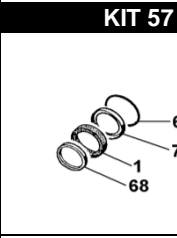
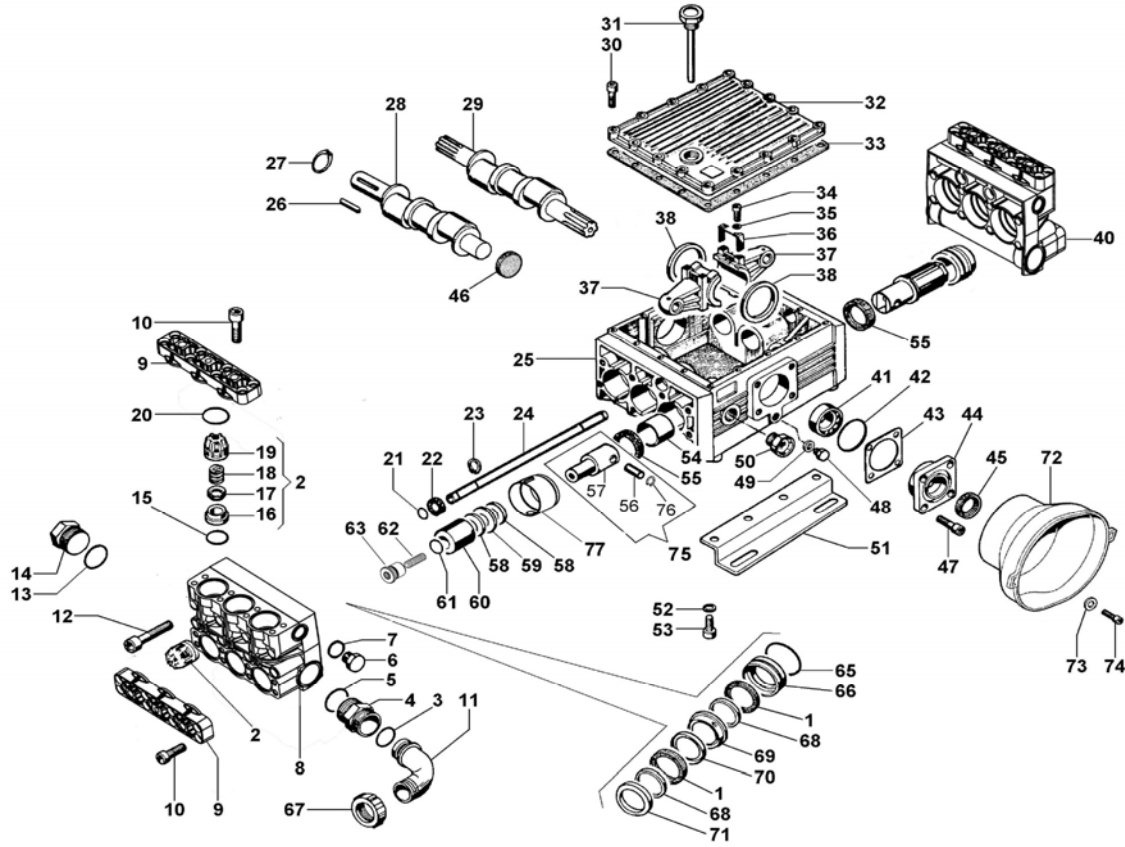
CODICE - CODE	Q.TY	POS	N-m	Lbr.ft
86.3910.00.2	32	10	68	50,2
86.4120.00.2	16	12	68	50,2
86.3696.00.2	8	47	50	36,9
86.2216.00.2	16	30	10	7,4
86.1930.00.2	12	34	5 (LOCTITE 242)	3,7 (LOCTITE 242)
86.3740.00.2	4	53	68 (LOCTITE 242)	50,2 (LOCTITE 242)
73.0342.51.2	6	63	40 (LOCTITE 242)	29,5 (LOCTITE 242)

Tolleranza di serraggio: 0/-10%  
Tolerance on torque value:

INFORMAZIONI UTILI  
USEFUL INFORMATION

LUBRIFICANTE - LUBRICANT:

OLIO MOTORE O SEMIIDRAULICO SAE 30  
MOTOR OIL OR SEMI-HYDRAULIC OIL SAE 30



POS.	CODICE PART NO. RÉF.	DENOMINAZIONE - DESCRIPTION - DESCRIPTION	Q.TY
1-kit 57-122	802201002	"V" PACKING 45X60	12
2-kit 256	739824973	VALVES ASSEMBLY	12
3	803208502	O-RING DIA.2,62x37,77	2
4	835092502	NIPPLE G.1" 1/2-G.1" 3/4	2
5	803209602	O-RING DIA.2,62X47,3	2
6	852693532	CAP G3/4	2
7	803218002	O-RING DIA.3X22	2
8	760228092	HEAD	1
9	730416092	VALVES COVER	4
10	863910002	BOLT TCEI M12X40 UNI 5931	32
11	840595002	90° ELBOW TAIL DIA.40 MM.	2
12	844120002	BOLT TCEI M12X110 UNI 5931	12
13	803209602	O-RING DIA.2,62X47,3	2
14	852752002	PLUG 1"1/2	2
15-kit 257-256	803253002	O-RING DIA.3,53X34,52	12
16	730122512	VALVE SEAT	12
17	730123682	POPPET	12
18	730118512	SPRING	12
19	730129322	VALVE CAGE	12
20-kit 257-256	803270002	O-RING DIA.3,53X49,2	12
21-kit 257	803217302	O-RING DIA.3X16	4
22-kit 257	802089002	OIL SEAL	2
23	801160002	SNAP RING	2
24	760056822	HEADS CONNECTION PIPE	1
25	760300082	PUMP CRANKCASE	1
26	806585002	TAB 10X8X55 (VR.PP)	1
27	801264002	SNAP RING (VR.PP)	1
28	760027262	CRANKSHAFT (CK 220 PP)	1
28	730037262	CRANKSHAFT (CK 230 PP)	1
28	730319262	CRANKSHAFT (CK 180 PP)	1
29	730032262	CRANKSHAFT (CK 220 P)	1
29	730030262	CRANKSHAFT (CK 146 P)	1
30	862216002	BOLT M6X25	16
31	853519002	OIL FILLING PLUG	1
32	760002092	CRANKCASE COVER	1
33-kit 257	760065722	GASKET	1
34	861930002	BOLT T.C.E.I. M5X12	12
35	843651502	WASHER DIA.5,3X9X0,9	12
36	760046612	FORK	6
37/1	760010092	CONROD	6
37/2 opt.	760014112	BRONZE CONROD (OPTIONAL)	6
38	760047762	RING	6
40	760227092	HEAD	1
41	812859002	CONICAL ROLLER BEARING DIA.35X72X24,25	2

POS.	CODICE PART NO. RÉF.	DENOMINAZIONE - DESCRIPTION - DESCRIPTION	Q.TY
42-kit 257	803290002	O-RING DIA.3,53x85,32	2
43/1	730061652	SHIM	1
43/2	730060652	SHIM	1
44	730003092	COVER	2
45-kit 257	802143002	OIL SEAL	2
46-kit 257	802099602	CAP (VR.PP)	1
47	863696002	BOLT TCEI M12X25	8
48	852579002	PLUG G 3/8	1
49	824109002	GASKET DIA.17X22X1	1
50	853515002	OIL SIGHT GLASS	1
51	730024612	MOUNTING BRACKET	2
52	843906002	WASHER	4
53	863740002	BOLT M12X30 UNI 5739	4
54	804465002	ANTIFRICTION BUSH DIA.40X44X50	6
55-kit 59-257	802180002	OIL SEAL DIA.40X55X7	6
56	852007302	PISTON PIN	6
57	730080092	PLUNGER ROD	6
58	730056532	SPACER	12
59	844301002	WASHER DIA.25,3X50X1	6
60	730010182	CERAMIC PISTON DIA.45	6
61-kit 257	803195502	O-RING DIA.2,62X20,24	6
62	863900002	BOLT M12X40 (FROM 05/14)	6
63	730342512	PLUG (FROM 05/14)	6
65-kit 57-122	803283002	O-RING DIA.3,53X58,74	6
66-kit 122	730070532	BACK GLAND	2
67	820095002	WING NUT G1" 3/4	6
68-kit 57-122	730044322	THRUST RING	12
69-kit 122	730058532	FRONT GLAND	6
70-kit 57-122	730040322	ANTIEXTRUSION RING	6
71-kit 122	730039532	SPACER	6
72 opt.	311482322	PLAIN SAFETY CONE	1
73 opt.	843696002	WASHER DIA.8,4x18x2	2
74	842475002	SCREW	2
75	73001109A	PLUNGER ROD + PISTON PIN KIT	6
76	800040002	SNAP RING	12
77	730503322	OIL SEAL SPACER (FROM 09/13)	6
REPAIR KIT		ITEM NO.s INCLUDED	PCS.
kit 57	739845973	SPARE PARTS KIT	36
kit 59	769812973	SPARE PARTS KIT	6
kit 257	769854973	SPARE PARTS KIT	48
kit 256	769853973	SPARE PARTS KIT	36
kit 122	769835973	SPARE PARTS KIT	54