

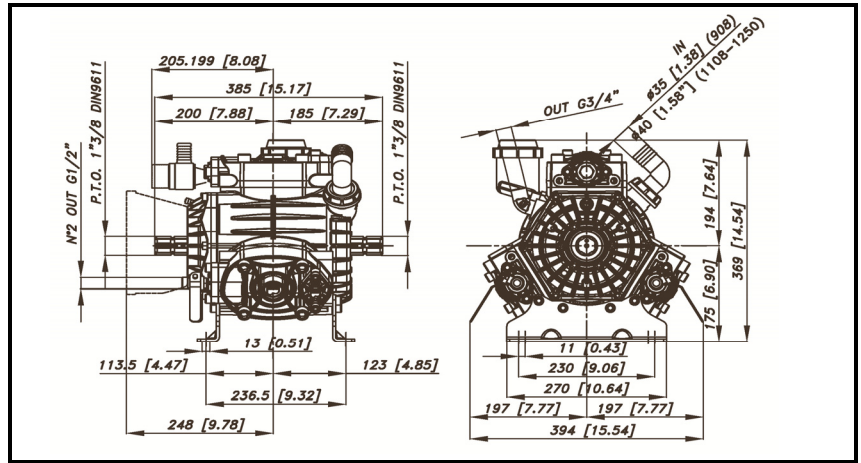
# DESPIECE BOMBA- MEMBRANAS PBO 1100 - PBO 1250

**BERTOLINI**  
pumps

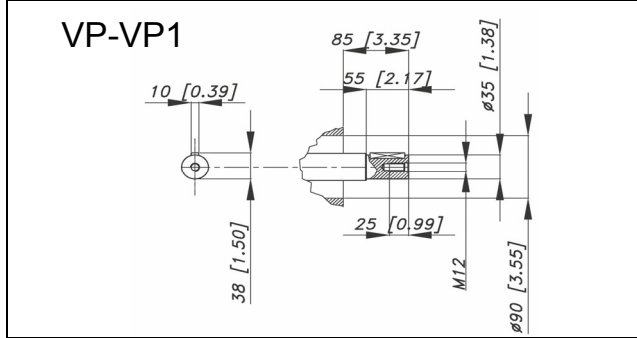
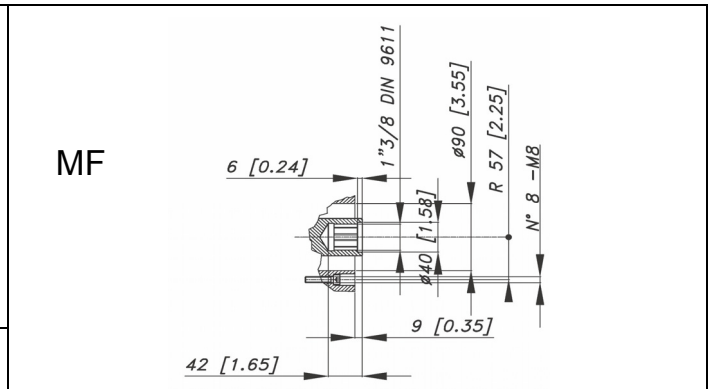
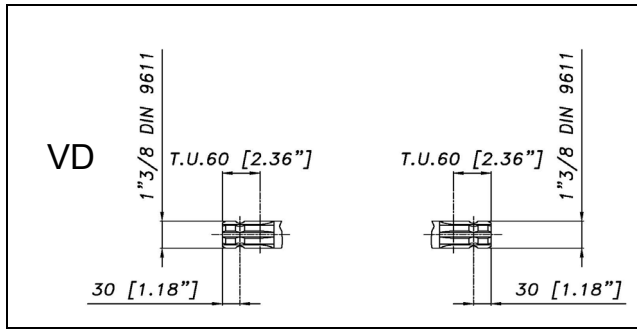
PARA MÁS CONSULTAS O DUDAS:  
LLÁMANOS: 96 545 53 91 - 96 661 52 44  
MÁNDANOS UN WHATSAPP 609 87 53 95  
O UN E-MAIL : INFO@BLASCOMOTOR.COM

**WWW.AGRICOLABLASCOONLINE.COM**

DIMENSIONI D'INGOMBRO - OVERALL DIMENSIONS



ALBERO POMPA - PUMP SHAFT



COPPIA DI SERRAGGIO - TORQUE CHART					
CODICE - CODE	Q.TY	POS	N.m	Lbr.ft	
86.3265.00.2	6	13	44	32.5	
86.2682.00.2	6	31	22	16.2	
86.2852.00.2	2	56	22	16.2	
41.9835.97.3	3	40	25	18.5	
86.2752.00.2	18	6	22	16.2	
86.3347.00.2	2	20	44	32.5	
86.3300.00.2	12	41	44	32.5	
86.4250.00.2	12	47	98	72.2	

Tolleranza di serraggio: 0/-10%  
Tolerance on torque value: 0/-10%

INFORMAZIONI UTILI USEFUL INFORMATION				
LUBRIFICANTE- LUBRICANT: OLIO MOTORE O SEMIIDRAULICO SAE 30 MOTOR OIL OR SEMI-HYDRAULIC OIL SAE 30				
PRESSIONE ACCUMULATORE ACCUMULATOR PRESSURE				
PRESSIONE DI LAVORO - OPERATING PRESSURE	2 ÷ 5	5+10	10 ÷ 20	20 ÷ 50
ACCUMULATORE ACCUMULATOR	2	2 ÷ 5	5 ÷ 7	6 ÷ 8

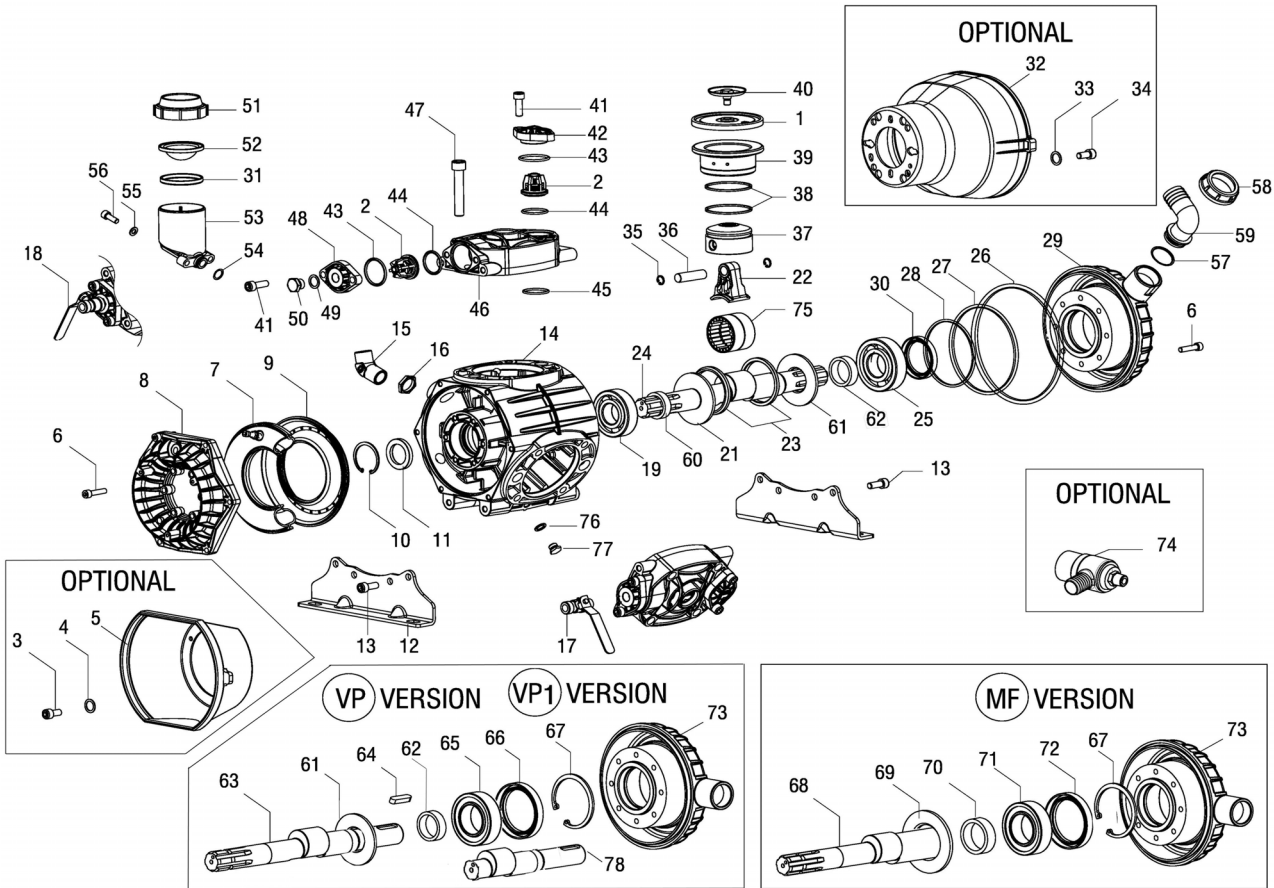
KIT MEMBRANE - DIAPHRAGMS KIT

KIT	BUNA - N			DESMOPAN			VITON					PENTAX				
	1	7	45	1	7	45	1	7	26	27	43	44	59	1	7	45
POSIZIONE ESPLOSO POSITION NUMBER	37.9817.97.3			37.9818.97.3			37.9819.97.3					37.9820.97.3				
QUANTITA' NEL KIT QUANTITIES INCLUDED	3	1	6	3	1	6	3	1	1	1	6	6	6	3	1	6

KIT POMPA/KIT VALVOLE - PUMP KIT/VALVES KIT

KIT	KIT POMPA VD PUMP KIT VD							KIT POMPA VM PUMP KIT VM							KIT VALVOLE VALVE KIT				
	11	30	45	26	27	28	43	44	11	66-72	45	26	27	28	43	44	2	43	44
POSIZIONE ESPLOSO POSITION NUMBER	35.9882.97.3							35.9883.97.3							35.9870.97.3				
QUANTITA' NEL KIT QUANTITIES INCLUDED	1	1	6	1	1	1	6	6	1	1	6	1	1	1	6	6	6	6	6





POS.	CODICE PART NO. REF.	DENOMINAZIONE - DESCRIPTION - DESCRIPTION	Q.TY	POS.	CODICE PART NO. REF.	DENOMINAZIONE - DESCRIPTION - DESCRIPTION	Q.TY
1	95.0040.31.2	BUNA-N PISTON DIAPHRAGM	3	38	81.8527.00.2	PISTON RING DIA.70 (PBO 1100)	6
1	95.0040.33.2	VITON PISTON DIAPHRAGM (OPTIONAL)	3	38	81.8530.00.2	PISTON RING DIA.72 (PBO 1250)	6
1	95.0040.00.2	DESMOPAN PISTON DIAPHRAGM (OPTIONAL)	3	39	43.0015.01.2	PISTON SLEEVE DIA.70 (PBO 1100)	3
1	95.0040.36.2	HPS PISTON DIAPHRAGM (OPTIONAL)	3	39	48.0029.01.2	PISTON SLEEVE DIA.72 (PBO 1250)	3
2	35.9802.97.3	VALVES ASSEMBLY	6	40	41.9835.97.3	KIT DISK + SCREW INOX	3
3	86.1846.00.2	SCREW M5,5x16 UNI 6954 (OPTIONAL)	3	41	86.3300.00.2	SCREW M10x30 UNI 5931	12
4	84.3560.00.2	WASHER DIA. 5,5x15x1,6 (OPTIONAL)	3	42	41.0109.09.2	VALVE COVER	3
5	31.1466.32.2	PLAIN SAFETY CONE (OPTIONAL)	1	43	80.3262.00.2	O-RING DIA.3,53x41,28	6
6	86.2752.00.2	SCREW M8x35 UNI 5931	18	43	80.3262.50.2	O-RING DIA.3,53x41,28 (KIT VITON)	6
7	41.0120.97.3	NBR BALLASTER DIAPHRAGM	1	44	80.3251.00.2	O-RING DIA.3,53x32,93	6
7	41.0121.97.3	VITON BALLASTER DIAPHRAGM (OPTIONAL)	1	44	80.3251.50.2	O-RING DIA.3,53x32,93 (KIT VITON)	6
7	41.0122.97.3	EPDM BALLASTER DIAPHRAGM (OPTIONAL)	1	45	80.3200.00.2	O-RING DIA.2,62x22,22	6
7	41.0123.97.3	HPS BALLASTER DIAPHRAGM (OPTIONAL)	1	45	80.3200.50.2	O-RING DIA.2,62x22,22 (KIT VITON)	6
8	37.0108.09.2	BALLASTER COVER	1	46	41.0111.09.2	PUMP HEAD	3
9	41.0104.09.2	LOWER BALLASTER	1	47	86.4250.00.2	SCREW M14x70 UNI 5931	12
10	80.1369.00.2	RING DIA.52	1	48	41.0110.09.2	VALVE COVER G.3/8"	3
11	80.2143.10.2	OIL SEAL DIA.35x52x7 (VD-MF-VP)	1	49	82.4107.00.2	GASKET	1
11	80.2099.60.2	CAP D.52x7 (VP1)	1	50	85.2579.00.2	CAP G.3/8"	1
12	37.0109.61.2	MOUNTING RAIL	2	51	28.0144.32.2	OIL FILLER COVER	1
13	86.3265.00.2	SCREW M10x25 UNI 5931	8	52	41.0017.31.2	OIL FILLER DIAPHRAGM	1
14	37.0112.09.2	CRANKCASE	1	53	55.0004.32.2	OIL FILLER	1
15	81.4909.00.2	BRASS G.3/4 NUT	1	54	80.3180.00.2	O-RING DIA. 2,62x15,08	1
16	83.5063.28.2	60° ELBOW CONNECTOR G.3/4	1	55	84.3685.50.2	WASHER DIA.8,2X15X1,5 UNI 1750	2
17	84.5544.10.2	LEFT TAP G.3/8-G.1/2	1	56	86.2682.50.2	BOLT M8x25 UNI 5931	2
18	84.5544.00.2	RIGHT TAP G.3/8-G.1/2	1	57	80.3219.10.2	O-RING DIA. 3X30	1
19	81.2870.00.2	ROLLER BEARING DIA.35X80X21	1	58	82.0070.00.2	WING NUT G.1"1/2	1
21	41.0153.61.2	SHAFT RING	1	59	84.0591.00.2	90° ELBOW CONNECTOR DIA.40-1,57"	1
22	41.0165.09.2	BIELLA SINGOLA	3	60	41.0156.76.2	SHAFT SPACER DIA.35	1
23	14.0015.76.2	CONROD HOLDING RING	2	61	41.0154.61.2	SHAFT RING DIA.40	1
24	41.0150.26.2	"VD" CRANKSHAFT (1"3/8" M-M)	1	62	41.0157.76.2	SHAFT SPACER DIA.40	1
25	81.2913.00.2	BALL BEARING DIA. 40X90X23	1	63	41.0152.26.2	"VP" CRANKSHAFT (SOLID SHAFT DIA.35)	1
26	80.3295.00.2	O-RING DIA. 3,53x190,1	1	64	80.6580.00.2	KEY 10X8X50 UNI 6604	1
26	80.3295.50.2	O-RING DIA.3,53x190,1 (KIT VITON)	1	65	81.2912.00.2	ROLLER BEARING DIA.40X90X23	1
27	80.3210.70.2	O-RING DIA. 2,62x126,67	1	66	80.2189.70.2	OIL SEAL DIA.40X80X8	1
27	80.3210.75.2	O-RING DIA. 2,62x126,67 (KIT VITON)	1	67	80.1428.00.2	SNAP RING DIA.80 UNI 7437	1
28	80.3291.00.2	O-RING DIA. 3,53x88,5	1	68	41.0151.26.2	"MF" CRANKSHAFT (1"3/8" M-F)	1
29	41.0112.09.2	INLET COVER "VD"	1	69	41.0155.61.2	SHAFT RING DIA.50 "MF"	1
30	80.2190.00.2	OIL SEAL DIA.40x72x10	1	70	41.0158.76.2	SHAFT SPACER DIA.50 "MF"	1
31	14.0116.32.2	DIAPHRAGM SPACER	1	71	81.2970.00.2	ROLLER BEARING DIA.50X90X23	1
32	31.1482.32.2	PLAIN SAFETY CONE L.180 (OPTIONAL)	1	72	80.2235.00.2	OIL SEAL DIA.50X80X10	1
32	31.1468.32.2	PLAIN SAFETY CONE L.135 (OPTIONAL)	1	73	41.0116.09.2	INLET COVER "VP-MF"	1
33	84.3801.00.2	WASHER DIA. 10,5x18x2 (OPTIONAL)	4	74	24.3050.97.3	SAFETY VALVE 50 BAR (OPTIONAL)	1
34	86.3187.00.2	SCREW M10x18 UNI 5931 (OPTIONAL)	4	75	81.2950.00.2	NEEDLE ROLLER BEARING	2
35	80.0021.00.2	RING DIA. 15	6	76	82.4079.00.2	WASHER DIA.13	1
36	85.2007.00.2	PISTON PIN DIA.15x24	3	77	85.2543.50.2	CAP G.1/4"	1
37	37.0016.09.2	PISTON DIA.70 (PBO 1100)	3	78	41.0169.26.2	"VP1" CRANKSHAFT (SOLID SHAFT DIA.35)	1
37	48.0028.09.2	PISTON DIA.72 (PBO 1250)	3				