

DESPIECE BOMBA POLY 2030

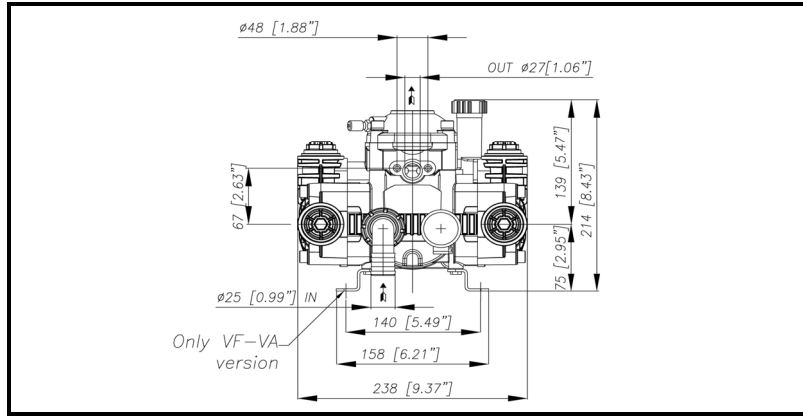
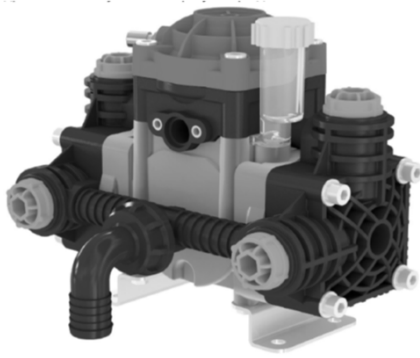
BERTOLINI
pumps

PARA MÁS CONSULTAS O DUDAS:
LLÁMANOS: 96 545 53 91 - 96 661 52 44
MÁNDANOS UN WHATSAPP 609 87 53 95
O UN E-MAIL : INFO@BLASCOMOTOR.COM

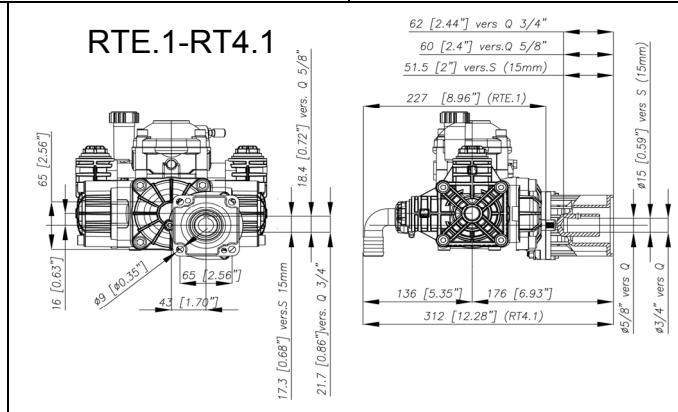
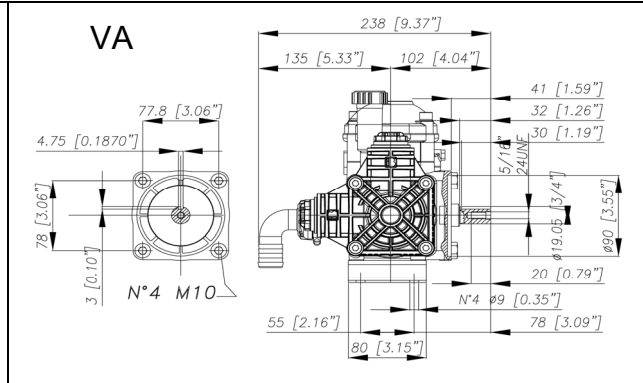
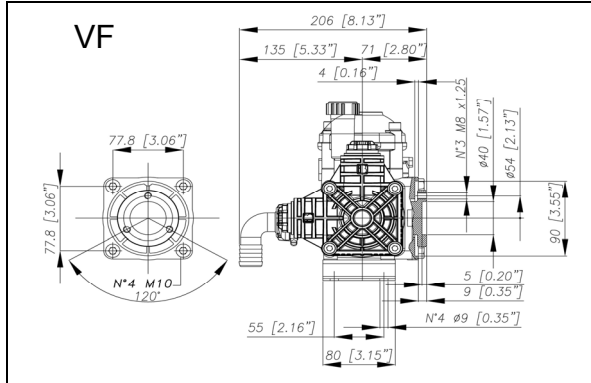
WWW.AGRICOLABLASCOONLINE.COM

POLY 2030 VF-VA-RTE.1 - RT4.1

DIMENSIONI D'INGOMBRO - OVERALL DIMENSIONS



ALBERO POMPA - PUMP SHAFT



COPPIA DI SERRAGGIO - TORQUE CHART					
CODICE - CODE	Q.TY	POS	N-m	Lbr.ft	
86.2900.00.2	8	22	10	7,4	
03.0021.97.3	2	25	5	3,7	
86.1605.00.2	1	12	5	3,7	
86.2945.00.2	2	38	10	7,4	
86.2951.00.2	2	10	10	7,4	
86.3300.00.2	4	44	40	29,5	
86.2301.00.2	2	47	10	7,4	
83.8012.00.2	1	52	10	7,4	
86.2260.00.2	2	55	10	7,4	
86.2108.00.2	2	58	10	7,4	
81.4545.00.2	3-5	45	10	7,4	
11.0152.32.2	4	6	10	7,4	
86.3185.00.2	4	70	40	29,5	
86.3185.00.2	4	77	40	29,5	

Tolleranza di serraggio - Tolerance on torque value: 0/-10%

INFORMAZIONI UTILI USEFUL INFORMATION				
LUBRIFICANTE- LUBRICANT:				
POMPA - PUMP: OLIO MOTORE O SEMIDRAULICO SAE 30 MOTOR OIL OR SEMI-HYDRAULIC OIL SAE 30				
PRESSIONE ACCUMULATORE ACCUMULATOR PRESSURE				
PRESSIONE DI LAVORO - OPERATING PRESSURE	2 + 5	5+10	10 + 20	20 + 50
ACCUMULATORE ACCUMULATOR	2	2 + 5	5 + 7	6 + 8

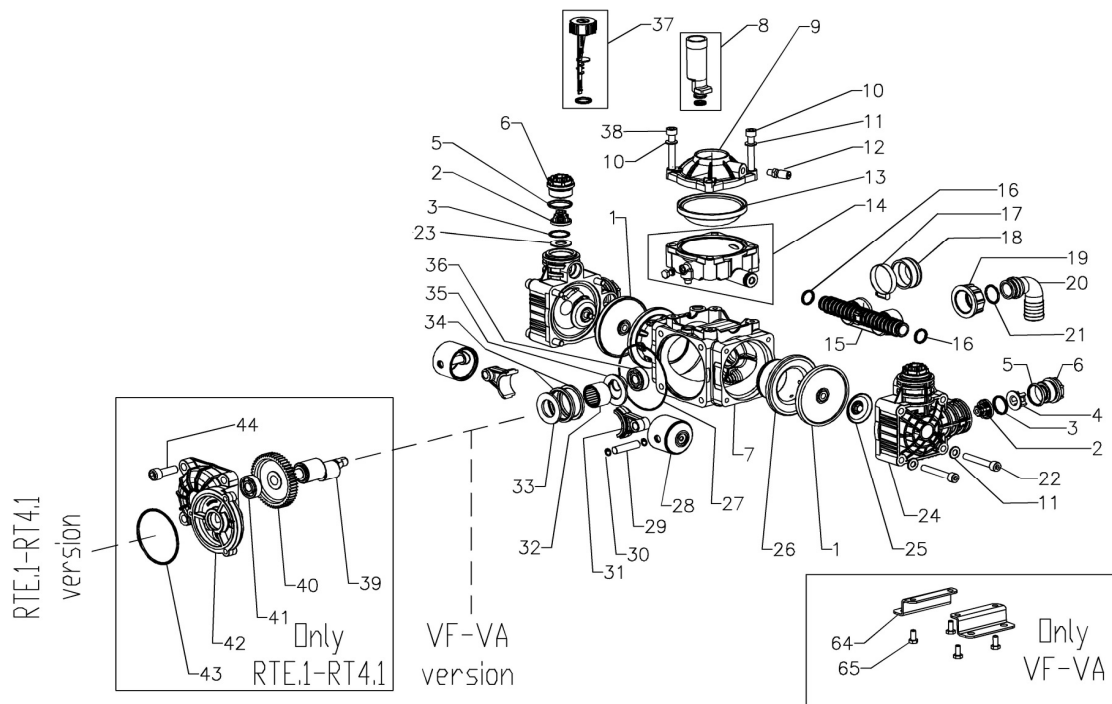
KIT MEMBRANE - DIAPHRAGMS KIT

KIT	94.9871.97.3	BUNA - N			94.9943.97.3	VITON							
POSIZIONE ESPLOSO POSITION NUMBER		1	13	16		1	13	16	3	5			
QUANTITA' NEL KIT QUANTITIES INCLUDED		2	1	4		2	1	4	4	4			

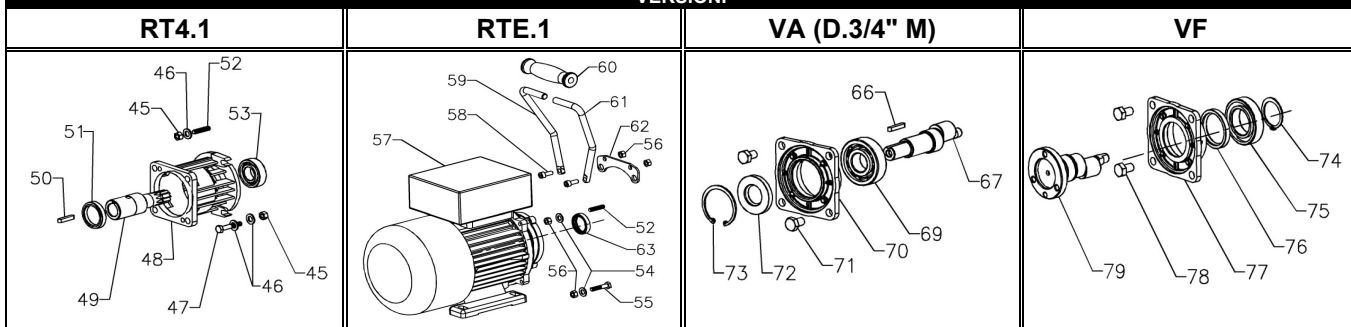
KIT POMPA/KIT VALVOLE - PUMP KIT/VALVES KIT

KIT	94.9942.97.3	KIT POMPA PUMP KIT						94.9944.97.3	KIT VALVOLE VALVE KIT				
POSIZIONE ESPLOSO POSITION NUMBER		10	15	6	4	22	30	35		2	3	4	5
QUANTITA' NEL KIT QUANTITIES INCLUDED		2	4	2	2	1	1	1		4	4	2	4

POLY 2030 VF-VA-RTE.1 - RT4.1



VERSIONI



POS.	CODICE PART NO. REF.	DENOMINAZIONE - DESCRIPTION - DESCRIPTION	Q.TY	POS.	CODICE PART NO. REF.	DENOMINAZIONE - DESCRIPTION - DESCRIPTION	Q.TY
1	94.0040.31.2	PISTON DIAPHRAGM	2	41	81.2522.00.2	BALL BEARING	1
1	94.0040.33.2	VITON PISTON DIAPHRAGM (OPTIONAL)	2	42	94.0383.09.2	CRANKCASE	1
2	03.9821.97.3	VALVE ASSY	4	43	80.3210.64.2	O-RING 2.62X75.87	1
3	80.3200.00.2	O-RING D.2,62X22,22	4	44	86.3300.00.2	SCREW M10X30 UNI5931	4
4	94.0389.32.2	SPACER INLET VALVE	2	45	81.4545.00.2	NUT M6 UNI5587	3
5	80.3205.50.2	O-RING D.2,62X26,65	4	46	84.3585.00.2	WASHER D.6 UNI6592	3
6	11.0152.32.2	CAP	4	47	86.2301.00.2	SCREW M6X35 UNI 5737	2
7	94.0301.09.2	CRANKCASE	1	48	94.0210.09.2	MOTOR FLANGE	1
8	94.9866.97.3	KIT OIL FILLER	1	49	94.0403.42.2	PINION Z=9 (D.3/4")	1
9	94.0003.09.2	DAMPER COVER	1	49	94.0401.42.2	PINION Z=9 (D.15)	1
10	86.2951.00.2	SCREW M8X65 UNI5931	2	49	94.0402.42.2	PINION Z=9 (D.5/8")	1
11	84.3685.00.2	WASHER D.8,2X15X1,5	12	50	80.6436.00.2	TAB 4,75X5X30 (D.3/4"D.5/8")	1
12	86.1605.00.2	AIR VALVE	1	50	80.6445.00.2	TAB 5X5X30 (D.15)	1
13	94.0041.31.2	DAMPER DIAPHRAGM	1	51	80.2117.50.2	OIL SEAL 30X40X7 VITON	1
14	94.9924.97.3	GR.ACCUMULATORE INF. (X KARIN)	1	52	83.8012.00.2	STUD M6X18 UNI5911	1
15	94.0388.32.2	KIT DAMPER BODY	1	53	81.2631.00.2	BALL BEARING	1
16	80.3181.00.2	O-RING D.2,62X15,54	4	54	84.3585.00.2	WASHER D.6 UNI6592	3
17	81.7522.90.2	CLAMP	1	55	86.2260.00.2	SCREW M6X30 UNI 5737	2
18	93.0021.31.2	DIAPHRAGM BELLOWS	1	56	81.4545.00.2	NUT M6 UNI5587	5
19	82.0045.50.2	WING NUT G.1	1	57	83.2081.70.2	EL. MOTOR 230V (Z=9)	1
20	84.0526.00.2	SUCTION CONNECTOR D.25 A 90°	1	57	83.2081.80.2	EL. MOTOR 400V (Z=9)	1
21	80.3195.00.2	O-RING D.2,62X20,29	1	58	86.2108.00.2	SCREW M6X16 UNI5931	1
23	94.0397.68.2	WASHER	2	59	31.1324.61.2	LEFT HALF HANDLE	1
22	86.2900.00.2	SCREW TCEI M8X55	8	60	82.8410.00.2	KNOB	1
24	94.0390.32.2	PUMP HEAD	2	61	31.1325.61.2	RIGHT HALF HANDLE	1
25	03.0021.97.3	KIT DIAPHRAGM WASHER/SCREW AISI 316	2	62	94.0404.61.2	BRACKET	1
26	94.0396.01.2	PISTON SLEEVE	2	63	80.2072.00.2	OIL SEAL 20X35X7	1
27	80.3080.90.2	O-RING 1,78X82,27	1	66	80.6436.00.2	LINGUETTA 4,75X5X30	1
28	94.0016.08.2	PISTON	2	67	94.0395.26.2	ALBERO VA	1
29	85.2006.00.2	PISTON PIN	2	68	81.2725.00.2	CUSCINETTO 25X62X17	1
30	80.0003.00.2	SNAP RING DIA.10	4	69	94.0336.09.2	SUPPORTO CUSCINETTO VA	1
31	94.0008.09.2	CONROD	2	70	86.3185.00.2	VITE TE M10X16 UNI5739	4
32	81.2688.00.2	BEARING	1	71	80.2099.90.2	ANELLO RADIALE 25X52X7	1
33	94.0027.32.2	SPACER	1	72	80.1369.00.2	ANELLO ELSTICO 52	1
34	94.0047.76.2	CONROD RING	2	73	80.1264.00.2	ANELLO ELS D.35 PER ALBERO	1
35	94.0392.32.2	SHAFT SPACER	1	74	81.2837.00.2	CUSCINETTO 35X62X14	1
36	81.2522.00.2	BALL BEARING	1	75	80.2178.10.2	ANELLO RADIALE 40X52X7	1
37	94.9855.97.3	KIT OIL INDICATOR	1	76	94.0326.09.2	SUPPORTO CUSCINETTO VF	1
38	86.2945.00.2	SCREW M 8X60 UNI 5931	2	77	86.3185.00.2	VITE TE M10X16 UNI5739	4
39	94.0394.26.1	SHAFT POLY 2030 RT4.1	1	78	94.0393.26.2	ALBERO VF	1
40	94.0400.42.2	GEAR Z=48	1				