

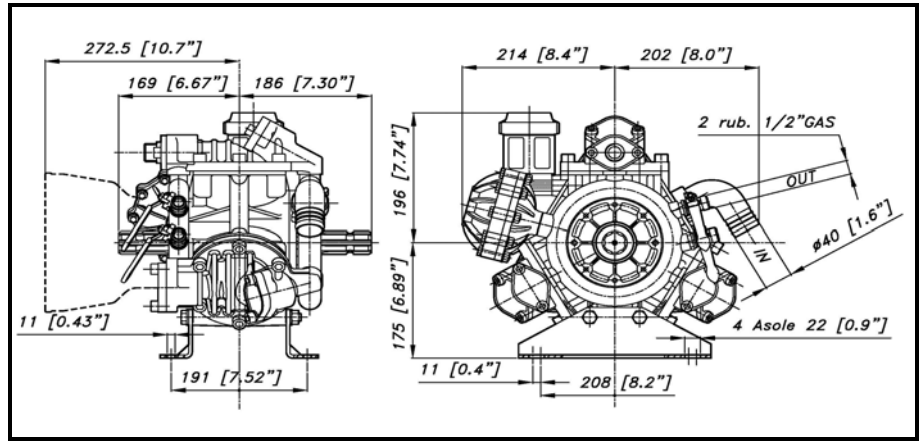
DESPIECE BOMBA- MEMBRANAS IDB 1250

BERTOLINI
pumps

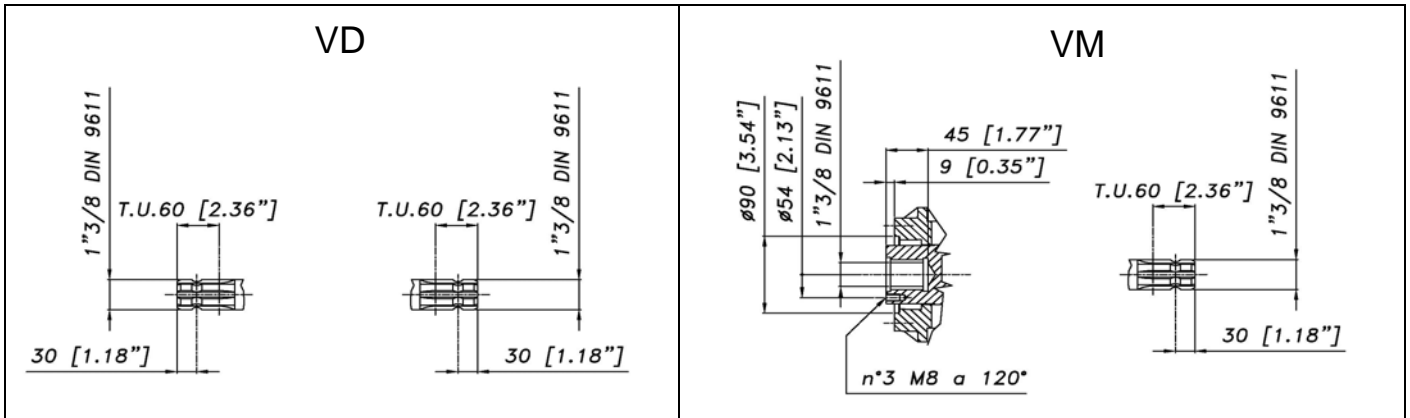
PARA MÁS CONSULTAS O DUDAS:
LLÁMANOS: 96 545 53 91 - 96 661 52 44
MÁNDANOS UN WHATSAPP 609 87 53 95
O UN E-MAIL : INFO@BLASCOMOTOR.COM

WWW.AGRICOLABLASCOONLINE.COM

DIMENSIONI D'INGOMBRO - OVERALL DIMENSIONS



ALBERO POMPA - PUMP SHAFT



| COPPIA DI SERRAGGIO - TORQUE CHART | | | | | |
|------------------------------------|------|-----|-----|--------|--|
| CODICE - CODE | Q.TY | POS | N-m | Lbr.ft | |
| 41.9835.97.3 | 3 | 10 | 12 | 8,9 | |
| 81.4706.00.2 | 4 | 68 | 68 | 50 | |
| 86.2852.00.2 | 2 | 51 | 22 | 16,3 | |
| 86.3265.00.2 | 12 | 9 | 44 | 32,5 | |
| 86.2562.00.2 | 8 | 37 | 22 | 16,3 | |
| 86.2547.00.2 | 2 | 39 | 10 | 7,4 | |
| 86.2785.00.2 | 10 | 61 | 22 | 16,3 | |
| 86.3740.00.2 | 4 | 69 | 68 | 50 | |
| 86.4139.00.2 | 2 | 44 | 68 | 50 | |
| 86.3947.00.2 | 16 | 8 | 98 | 72,3 | |
| 86.3983.00.2 | 2 | 67 | 98 | 72,3 | |

Tolleranza di serraggio: 0/-10%
Tolerance on torque value:

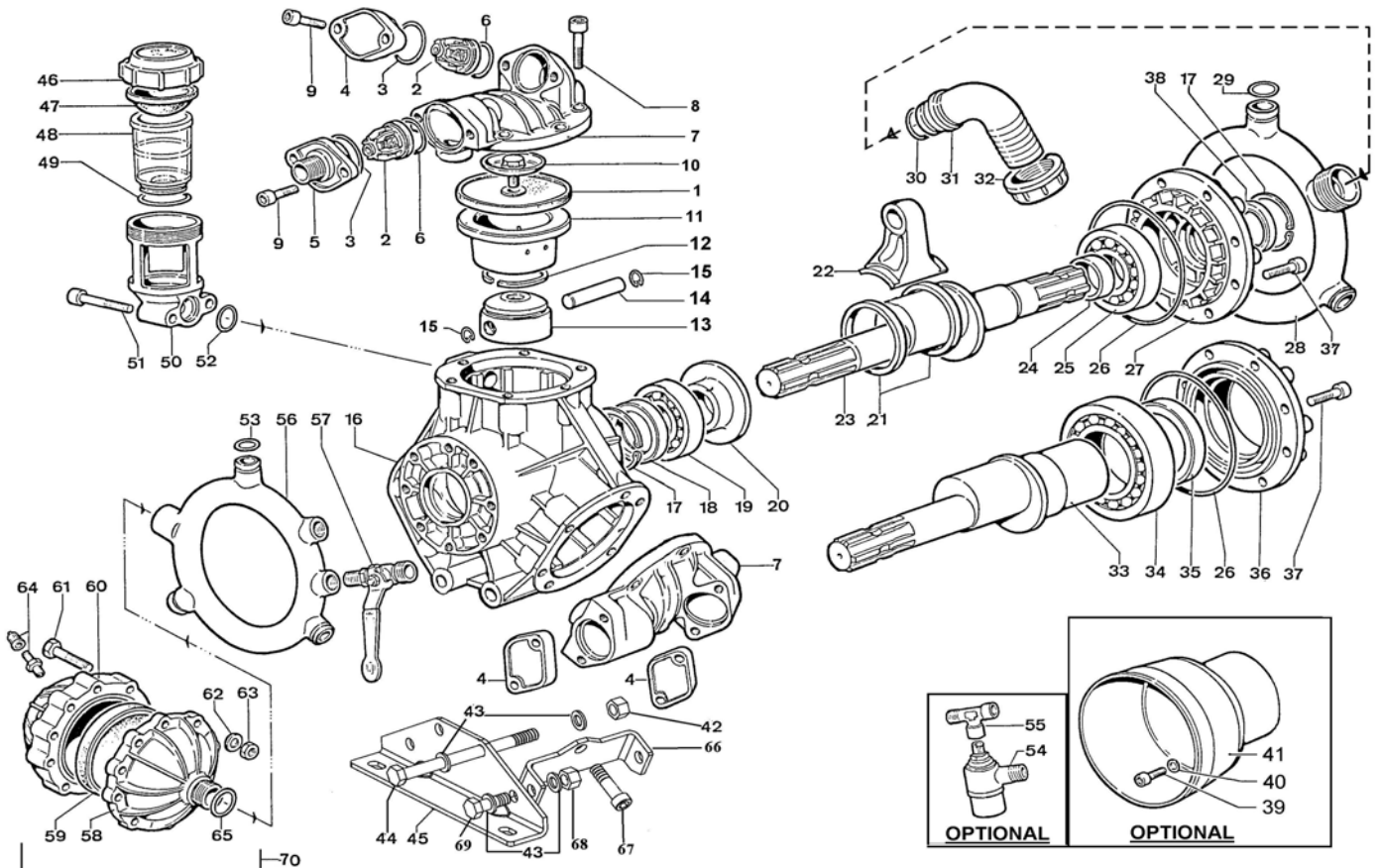
| INFORMAZIONI UTILI USEFUL INFORMATION | | | | |
|--|-------|--------|---------|---------|
| LUBRIFICANTE- LUBRICANT: OLIO MOTORE O SEMIIDRAULICO SAE 30 MOTOR OIL OR SEMI-HYDRAULIC OIL SAE 30 | | | | |
| PRESSIONE ACCUMULATORE ACCUMULATOR PRESSURE | | | | |
| PRESSIONE DI LAVORO - OPERATING PRESSURE | 2 ÷ 5 | 5 ÷ 10 | 10 ÷ 20 | 20 ÷ 50 |
| ACCUMULATORE ACCUMULATOR | 2 | 2 ÷ 5 | 5 ÷ 7 | 6 ÷ 8 |

KIT MEMBRANE - DIAPHRAGMS KIT

| KIT | BUNA - N | | | | DESMOPAN | | | VITON | | | | | | PENTAX | | | | | |
|--|----------|----|----|----|----------|----|----|-------|----|----|----|---|---|--------|----|---|----|----|----|
| POSIZIONE ESPLOSO POSITION NUMBER | 1 | 29 | 53 | 59 | 1 | 29 | 53 | 1 | 29 | 53 | 30 | 3 | 6 | 65 | 59 | 1 | 29 | 53 | 59 |
| QUANTITA' NEL KIT QUANTITIES INCLUDED | 3 | 3 | 3 | 1 | 3 | 3 | 3 | 3 | 3 | 3 | 1 | 6 | 6 | 1 | 1 | 3 | 3 | 3 | 1 |

KIT POMPA/KIT VALVOLE - PUMP KIT/VALVES KIT

| KIT | KIT POMPA VD - VM PUMP KIT VD - VM | | | | | | | | KIT VALVOLE VALVES KIT | | |
|--|---------------------------------------|---|----|----|----|----|----|----|---------------------------|---|---|
| POSIZIONE ESPLOSO POSITION NUMBER | 3 | 6 | 18 | 26 | 29 | 35 | 38 | 53 | 2 | 3 | 6 |
| QUANTITA' NEL KIT QUANTITIES INCLUDED | 6 | 6 | 1 | 1 | 3 | 1 | 1 | 3 | 6 | 6 | 6 |



| POS. | CODICE PART NO. REF. | DENOMINAZIONE - DESCRIPTION - DESCRIPTION | Q.TY | POS. | CODICE PART NO. REF. | DENOMINAZIONE - DESCRIPTION - DESCRIPTION | Q.TY |
|------|----------------------|---|------|------|----------------------|---|------|
| 1 | 95.0040.31.2 | PISTON DIAPHRAGM (OPT.) | 3 | 33 | 48.0009.26.2 | CRANKSHAFT "VM" (1"3/8 M-F) | 1 |
| 1 | 95.0040.33.2 | VITON PISTON DIAPHRAGM (OPT.) | 3 | 34 | 81.3020.00.2 | BEARING 70X125X24 | 1 |
| 1 | 95.0040.00.2 | DESMOPAN PISTON DIAPHRAGM (OPT.) | 3 | 35 | 80.2264.10.2 | OIL SEAL DIA.68x90x10 | 1 |
| 1 | 95.0040.36.2 | HPS PISTON DIAPHRAGM (OPT.) | 3 | 36 | 48.0004.09.2 | BALL BEARING COVER "VM" | 1 |
| 2 | 35.9802.97.3 | VALVE ASSY | 6 | 37 | 86.2562.00.2 | SCREW M8x20 UNI5931 | 8 |
| 3 | 80.3262.00.2 | O-RING 3,53x41,28 | 6 | 38 | 80.2178.10.2 | OIL SEAL DIA.40x52x7 | 1 |
| 3 | 80.3262.50.2 | O-RING 3,53x41,28 (KIT VITON) | 6 | 39 | 86.2547.00.2 | SCREW M8X18 | 2 |
| 4 | 35.0008.28.2 | BRASS VALVE COVER | 5 | 40 | 84.3696.00.2 | WASHER DIA.8,4x18x2 (OPT.) | 2 |
| 5 | 35.0018.28.2 | VALVE COVER | 1 | 41 | 31.1468.32.2 | PLAIN SAFETY CONE (OPTIONAL) | 1 |
| 6 | 80.3251.00.2 | O-RING 3,53x32,93 | 6 | 41 | 31.1482.32.2 | PLAIN SAFETY CONE (OPTIONAL) | 1 |
| 6 | 80.3251.50.2 | O-RING 3,53x32,93 (KIT VITON) | 6 | 42 | 81.4706.00.2 | GALVANIZED HEXAGON NUT M12X6 | 6 |
| 7 | 48.0027.28.2 | HEAD | 3 | 44 | 86.4139.00.2 | SCREW M12x160 | 2 |
| 8 | 86.3947.00.2 | SCREW M12X40 12.9 UNI 5931 | 16 | 45 | 48.0031.61.2 | MOUNTING RAIL | 2 |
| 9 | 86.3265.00.2 | SCREW M10x25 UNI5931 | 12 | 46 | 28.0144.32.2 | OIL FILLER CAP | 1 |
| 10 | 41.9835.97.3 | S.S. DISK + DIAPHRAGM LOCKING BOLT | 3 | 47 | 41.0017.31.2 | OIL FILLER DIAPHRAGM | 1 |
| 11 | 48.0029.01.2 | PISTON SLEEVE DIA.70 | 3 | 48 | 41.0016.32.2 | OIL FILLER | 1 |
| 12 | 81.8530.00.2 | PISTON RING DIA.70 | 6 | 49 | 80.3209.40.2 | O-RING 2,62x44,12 | 1 |
| 13 | 48.0028.09.2 | PISTON DIA.70 | 3 | 50 | 35.0009.09.0 | BOWL OIL FILLER | 1 |
| 14 | 85.2007.00.2 | PISTON PIN DIA.15x54 | 3 | 51 | 86.2852.00.2 | SCREW M8x45 UNI5931 | 2 |
| 15 | 80.0021.00.2 | RING DIA.15 | 6 | 52 | 80.3195.00.2 | O-RING 2,62x20,24 | 1 |
| 16 | 48.0001.08.2 | CRANKCASE | 1 | 53 | 80.3189.00.2 | O-RING 2,62x18,72 | 3 |
| 17 | 80.1369.00.2 | RING DIA.52 | 2 | 53 | 80.3189.50.2 | O-RING 2,62x18,72 (KIT VITON) | 3 |
| 18 | 80.2143.10.2 | OIL SEAL DIA.35x52x7 | 1 | 54 | 24.3050.97.3 | SAFETY VALVE 50bar (OPTIONAL) | 1 |
| 19 | 81.2867.00.2 | BEARING DIA.35x80x21 | 1 | 55 | 83.5020.00.2 | 3/8 FEMALE-MALE TEE (OPT.) | 1 |
| 20 | 48.0007.01.2 | SPACER | 1 | 56 | 48.0026.12.2 | INLET MANIFOLD | 1 |
| 21 | 14.0015.76.2 | CONROD RING | 2 | 57 | 84.5544.00.2 | RIGHT TAP G.3/8-G.1/2 | 2 |
| 22 | 41.0047.11.2 | CONROD | 3 | 58 | 48.0021.28.2 | LOWER BALLASTER | 1 |
| 23 | 41.0033.26.2 | CRANKSHAFT "VD" VERSION (1"3/8 M-M) | 1 | 59 | 93.0041.31.2 | BALLASTER DIAPHRAGM | 1 |
| 24 | 48.0008.41.2 | SPACER "VD" | 1 | 60 | 93.0003.09.2 | TOP BALLASTER | 1 |
| 25 | 81.2913.00.2 | BEARING DIA.40x90x23 | 1 | 60 | 48.0033.28.2 | TOP BALLASTER (BR. VERSION) (OPT.) | 1 |
| 26 | 80.3210.68.2 | O-RING 2,62x120,32 | 1 | 61 | 86.2785.00.2 | SCREW M 8X40 | 10 |
| 27 | 48.0003.09.2 | BEARING COVER | 1 | 61 | 86.2785.00.2 | SCREW M8X30 UNI5737 (BR. VERSION) (OPT.) | 10 |
| 28 | 48.0025.12.2 | INLET MANIFOLD | 1 | 62 | 84.3685.00.2 | WASHER DIA.8,4x15x1,5 | 10 |
| 29 | 80.3204.00.2 | O-RING 2,62x23,81 | 3 | 63 | 81.4575.00.2 | NUT M8 UNI5588 | 10 |
| 30 | 80.3219.10.2 | ANELLO OR 3,0x30 (OPTIONAL) | 1 | 64 | 86.1605.00.2 | AIR VALVE | 1 |
| 30 | 80.3255.00.2 | O-RING 3,53X36,1 | 1 | 65 | 80.3200.00.2 | O-RING 2,62x22,22 | 1 |
| 30 | 80.3255.50.2 | O-RING 3,53X36,1 (KIT VITON) | 1 | 65 | 80.3200.50.2 | O-RING 2,62x22,22 (KIT VITON) | 1 |
| 31 | 84.0591.00.2 | 90 E.C. DIA.40-1,57" (PLAST. OPT.) | 1 | 66 | 48.0030.68.2 | BRACKET | 2 |
| 31 | 84.0593.00.2 | 90 ELBOW CONNECTOR D.40-1,57" | 1 | 67 | 86.3983.00.2 | SCREW TCEI M12X45 | 2 |
| 32 | 82.0070.00.2 | WING NUT G.1"1/2 (OPT.) | 1 | 69 | 86.3703.00.2 | SCREW TE M12X25 UNI 5739 | 4 |
| 32 | 82.0070.00.2 | WING NUT G.1"1/2 (OPT.) | 1 | 70 | 48.0030.68.2 | BALLASTER (AL. VERSION) (OPT.) | 1 |
| 32 | 82.0070.00.2 | WING NUT G.1"1/2 (OPT.) | 1 | 70 | 48.0030.68.2 | BALLASTER (BR. VERSION) (OPT.) | 1 |