

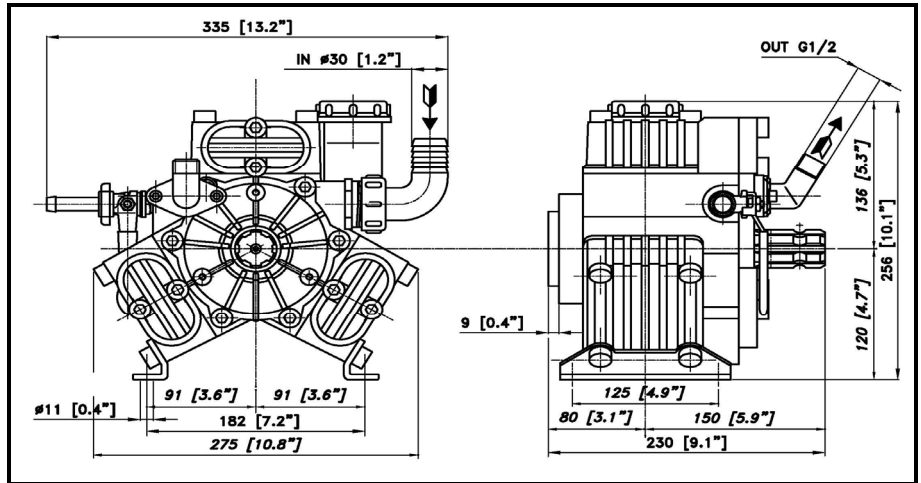
DESPIECE BOMBA- MEMBRANAS PA 530

BERTOLINI
pumps

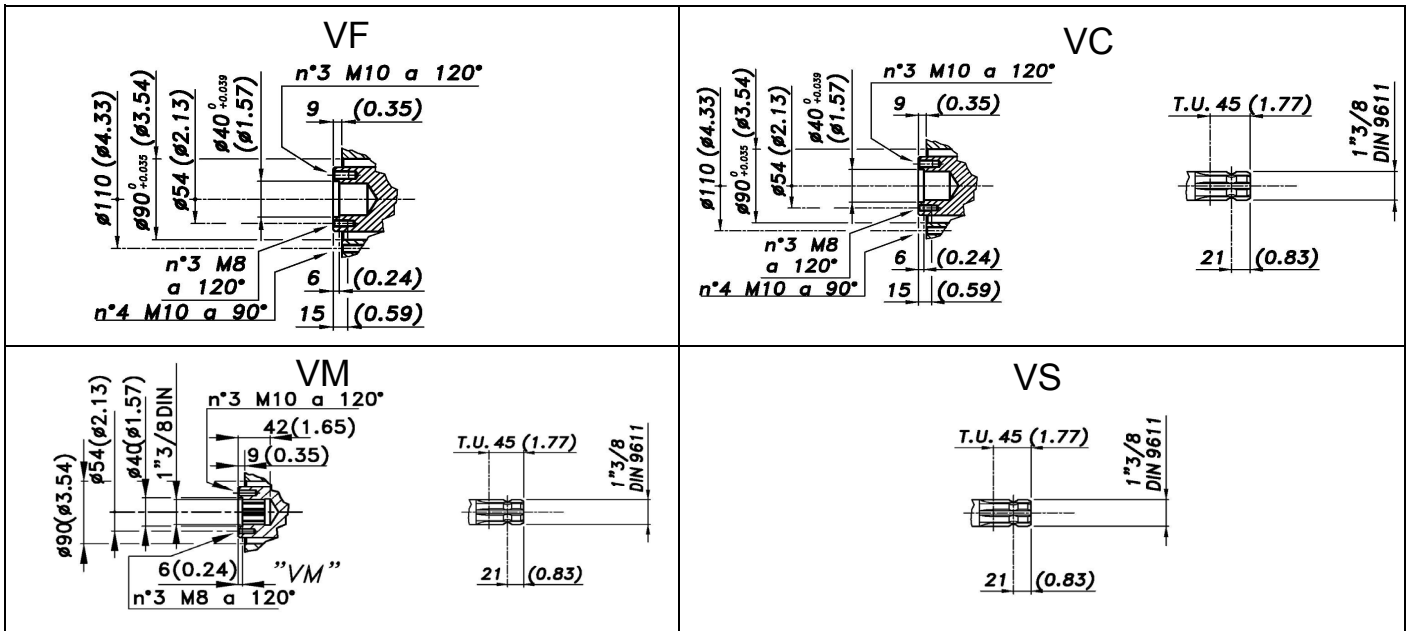
PARA MÁS CONSULTAS O DUDAS:
LLÁMANOS: 96 545 53 91 - 96 661 52 44
MÁNDANOS UN WHATSAPP 609 87 53 95
O UN E-MAIL : INFO@BLASCOMOTOR.COM

WWW.AGRICOLABLASCOONLINE.COM

DIMENSIONI D'INGOMBRO - OVERALL DIMENSIONS



ALBERO POMPA - PUMP SHAFT



COPPIA DI SERRAGGIO - TORQUE CHART

CODICE - CODE	Q.TY	POS	N·m	Lbr.ft
23.0015.51.2	3	4	12	8,9
86.2168.00.2	2	40	10	7,4
86.2216.00.2	6	39	10	7,4
86.2730.00.2	2	28	10	7,4
86.3185.00.2	4	18	22	16,2
86.3300.00.2	6	48	44	32,5
86.3560.00.2	8	46	44	32,5
86.3562.00.2	4	32	44	32,5
23.0043.98.3	3	4	12	8,9

Tolleranza di serraggio: 0/-10%
Tolerance on torque value: 0/-10%

INFORMAZIONI UTILI - USEFUL INFORMATION

LUBRIFICANTE - LUBRICANT:
OLIO MOTORE O SEMIIDRAULICO SAE 30
MOTOR OIL OR SEMI-HYDRAULIC OIL SAE 30

PRESSIONE ACCUMULATORE - ACCUMULATOR PRESSURE

PRESSIONE DI LAVORO - OPERATING PRESSURE	2 ÷ 5	5 ÷ 10	10 ÷ 20	20 ÷ 50
ACCUMULATORE - ACCUMULATOR	/	/	/	/

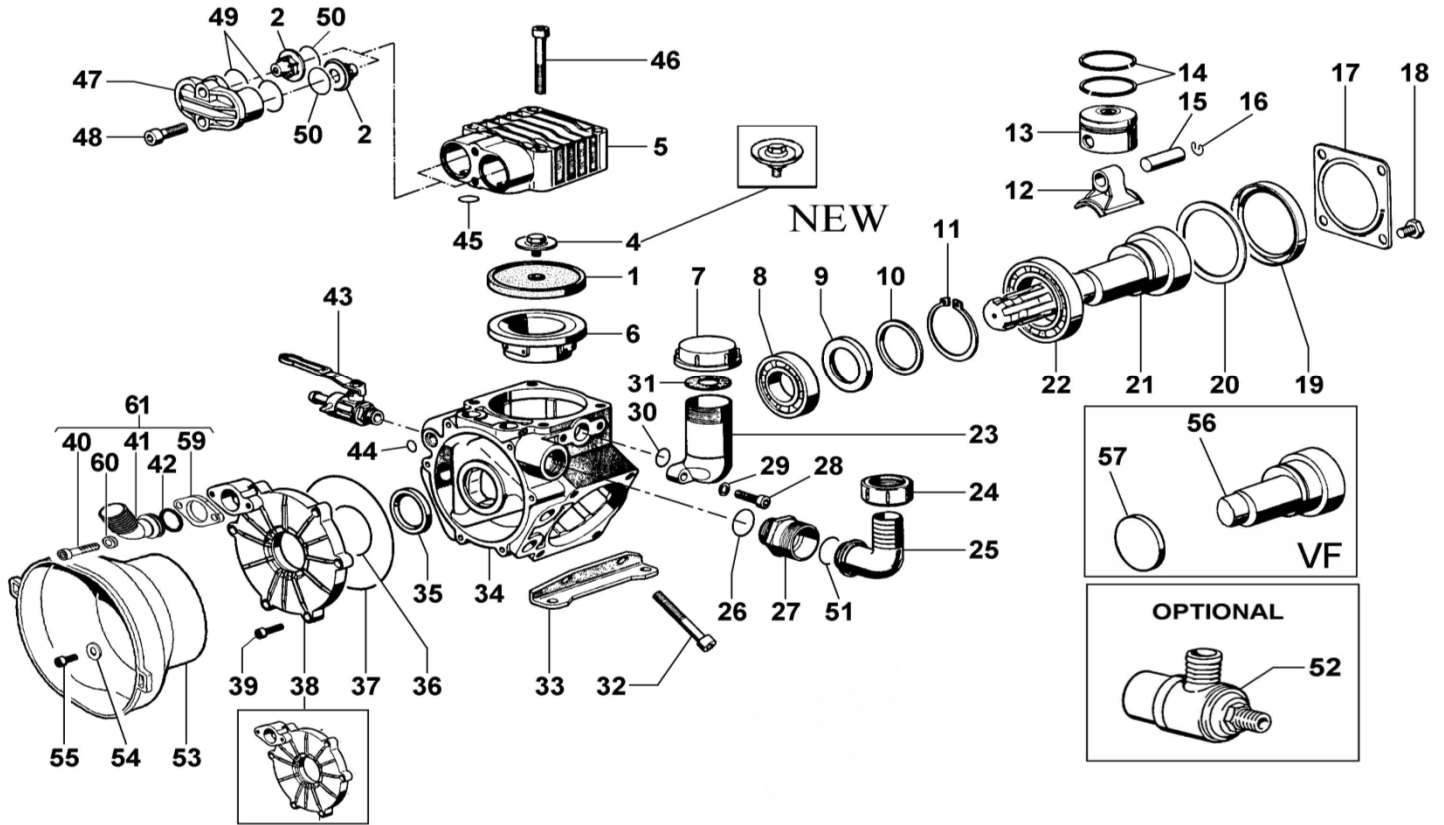
KIT MEMBRANE - DIAPHRAGMS KIT

KIT	BUNA - N		DESMOPAN		VITON							PENTAX	
	23.9828.97.3	23.9873.97.3	23.9826.97.3	23.9826.97.3	23.9826.97.3	23.9826.97.3	23.9826.97.3	23.9826.97.3	23.9826.97.3	23.9826.97.3	23.9875.97.3	23.9875.97.3	
POSIZIONE ESPLOSO - POSITION NUMBER	1	45	1	45	1	44	45	49	50	36	37	1	45
QUANTITA' NEL KIT - QUANTITIES INCLUDED	3	6	3	6	3	1	6	6	6	1	1	3	6

KIT POMPA/KIT VALVOLE - PUMP KIT/VALVES KIT

KIT	KIT POMPA VM - PUMP KIT VM							23.9829.97.3	KIT VALVOLE - VALVE KIT		
	23.9880.97.3	23.9880.97.3	23.9880.97.3	23.9880.97.3	23.9880.97.3	23.9880.97.3	23.9880.97.3		23.9880.97.3	23.9880.97.3	23.9880.97.3
POSIZIONE ESPLOSO - POSITION NUMBER	35	19	44	45	49	50	36	37	2	50	49
QUANTITA' NEL KIT - QUANTITIES INCLUDED	1	1	1	6	6	6	1	1	6	6	6

PA 530 - PA 530/1000



POS.	CODICE PART NO. REF.	DENOMINAZIONE - DESCRIPTION - DESCRIPTION	Q.TY	POS.	CODICE PART NO. REF.	DENOMINAZIONE - DESCRIPTION - DESCRIPTION	Q.TY
1	23.0011.31.2	PISTON DIAPHRAGM	3	31	82.4120.00.2	VITE TCEI M10x70 UNI5931	1
1	23.0011.33.2	VITON PISTON DIAPHRAGM	3	32	86.3562.00.2	SCREW M10X70 UNI 5931	4
1	23.0011.00.2	HPS PISTON DIAPHRAGM	3	33	23.0018.61.2	MOUNTING BRACKETS	2
1	23.0011.36.2	DESMOPAN PISTON DIAPHRAGM	3	34	23.0001.09.2	CRANKCASE till the 04/2016	1
2	23.9805.97.3	VALVE ASSY	6	34	23.0201.09.2	CRANKCASE from the 05/2016	1
4	23.0043.98.3	KIT DIAPHRAGM WASHER/SCREW AISI 316	3	35	80.2134.50.2	OIL SEAL DIA.35x47x7	1
4	23.0015.51.3	VITE MEMBRANA fino al 12/98	3	36	80.3209.80.2	O-RING 2,62x50,47	1
4	23.0009.32.2	PIATTELLO fino al 12/98	3	36	80.3209.85.2	O-RING 2,62x50,47 (KIT VITON)	1
5	23.0002.09.2	HEAD	3	37	80.3210.68.2	O-RING 2,62x120,32	1
6	23.0020.01.2	PISTON SLEEVE D.55 (PA 530)	3	37	80.3210.69.2	O-RING 2,62x120,32 (KIT VITON)	1
6	23.0066.01.2	PISTON SLEEVE D.55 (PA 530/1000)	3	38	23.0046.09.2	CRANKCASE COVER till the 04/2016	1
7	85.2750.00.2	OIL FILLER CAP	1	38	23.0006.09.2	CRANKCASE COVER till the 06/1999	1
8	81.2846.00.2	BEARING DIA.35x72x17	1	38	23.0202.09.2	CRANKCASE COVER from the 05/2016	1
9	23.0019.76.2	RING	1	39	86.2216.00.2	SCREW M6x25 UNI5931	6
10	26.0047.76.2	RING	1	40	86.2108.00.2	SCREW M6x16 UNI5931	2
11	80.1377.00.2	RING DIA.55 "VF"- "VC"- "VM"	1	41	31.1515.09.2	DIRECTIONAL FITTING G.1/2	1
12	23.0005.09.2	LIGHT ALLOY CONROD	3	42	80.3218.00.2	O-RING 3,0x22	1
12	23.0045.11.2	BRONZE CONROD	3	43	84.5544.10.2	LEFT TAP G.3/8-G.1/2	1
13	23.0007.09.2	PISTON D.55	3	44	80.3176.00.2	O-RING 2,62x11,91 till the 04/2016	1
14	81.8504.50.2	PISTON RING	6	44	80.3176.50.2	O-RING 2,62x11,91 (KIT VITON) till the 04/2016	1
15	85.2006.70.2	PISTON PIN DIA.15	3	44	80.3189.00.2	O-RING 2,62x18,72 from the 05/2016	1
16	80.0021.00.2	RING DIA.15	6	44	80.3189.50.2	O-RING 2,62x18,72 (KIT VITON) from the 05/2016	1
17	17.0013.61.2	COVER	1	45	80.3189.00.2	O-RING 2,62x18,72	6
18	86.3185.00.2	SCREW M10x16 UNI5739	4	45	80.3189.50.2	O-RING 2,62x18,72 (KIT VITON)	6
19	80.2264.10.2	OIL SEAL DIA.68x90x10 "VF"- "VC"- "VM"	1	46	86.3560.00.2	SCREW M10x65 UNI 5931	8
19	80.2156.00.2	COVER "VS"	1	47	23.0003.09.2	VALVE COVER	3
20	17.0024.76.2	SPACER	1	48	86.3300.00.2	SCREW M10x30 UNI5931	6
21	23.0023.26.2	CRANKSHAFT"VC"(PA 530)	1	49	80.3219.20.2	O-RING 3,0x35	6
21	23.0065.26.2	CRANKSHAFT"VC"(PA 530/1000)	1	49	80.3219.50.2	O-RING 3,0x35 (KIT VITON)	6
21	23.0024.26.2	CRANKSHAFT "VM" (1"3/8 M-F)	1	50	80.3207.00.2	O-RING 2,62x29,82	6
21	23.0036.26.2	CRANKSHAFT "VS" (1"3/8 M)	1	50	80.3207.50.2	O-RING 2,62x29,82 (KIT VITON)	6
22	81.2972.00.2	BEARING DIA.55x90x18	1	51	80.3219.00.2	O-RING 3,0x25	1
23	23.0008.32.2	OIL FILLER	1	52	24.3040.97.3	SAFETY VALVE 40bar (OPTIONAL)	1
24	82.0067.50.2	WING NUT G.1"1/4	1	53	31.1467.32.2	SAFETY CONE (OPTIONAL)	1
25	84.0560.00.2	90° ELBOW CONNECTOR DIA.30-1,18"	1	54	84.3618.00.2	WASHER DIA.6,4x18x1,5 (OPTIONAL)	3
25	84.0565.00.2	90° ELBOW CONNECTOR DIA.32-1,25" (OPT.)	1	55	86.2086.00.2	SCREW M6x14 UNI5931 (OPTIONAL)	3
26	80.3207.00.2	O-RING 2,62x29,82	1	56	23.0028.26.2	CRANKSHAFT"VF"(SEE OVERALL DIMENSIONS)	1
27	83.5089.00.2	NIPPLES G.1"-G.1"1/4	1	57	80.2099.50.2	COVER "VF"	1
28	86.2730.00.2	SCREW M8x30 UNI5931	2	59	31.1517.61.2	FLANGE LOCK FITTING	1
29	84.3685.00.2	WASHER DIA.8,4x15x1,5	2	60	84.3585.00.2	WASHER D.6	2
30	80.3180.00.2	O-RING 2,62x15,08	1	61	31.8916.97.3	FITTING KIT G.1/2	1