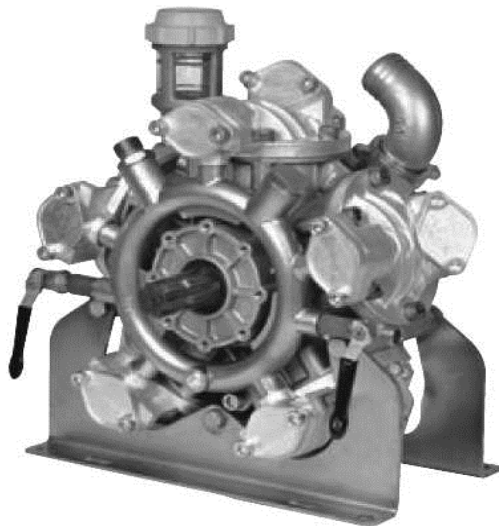


DESPIECE BOMBA- MEMBRANAS IDB 1400

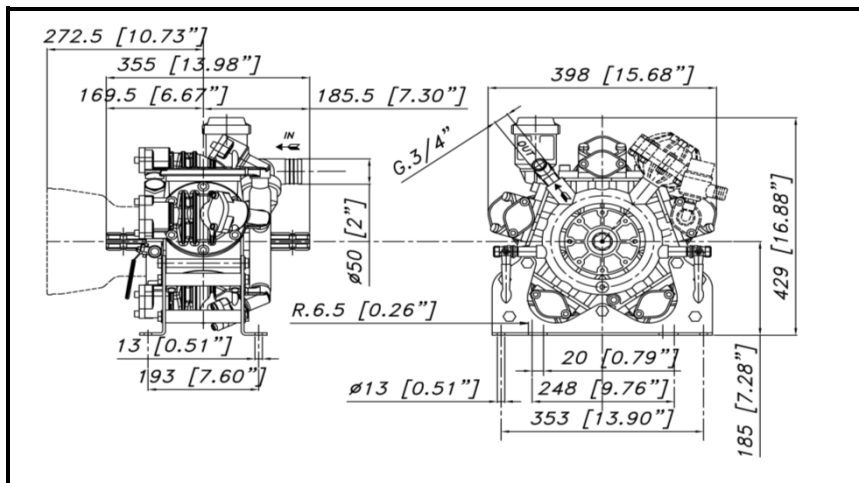
BERTOLINI
pumps

PARA MÁS CONSULTAS O DUDAS:
LLÁMANOS: 96 545 53 91 - 96 661 52 44
MÁNDANOS UN WHATSAPP 609 87 53 95
O UN E-MAIL : INFO@BLASCOMOTOR.COM

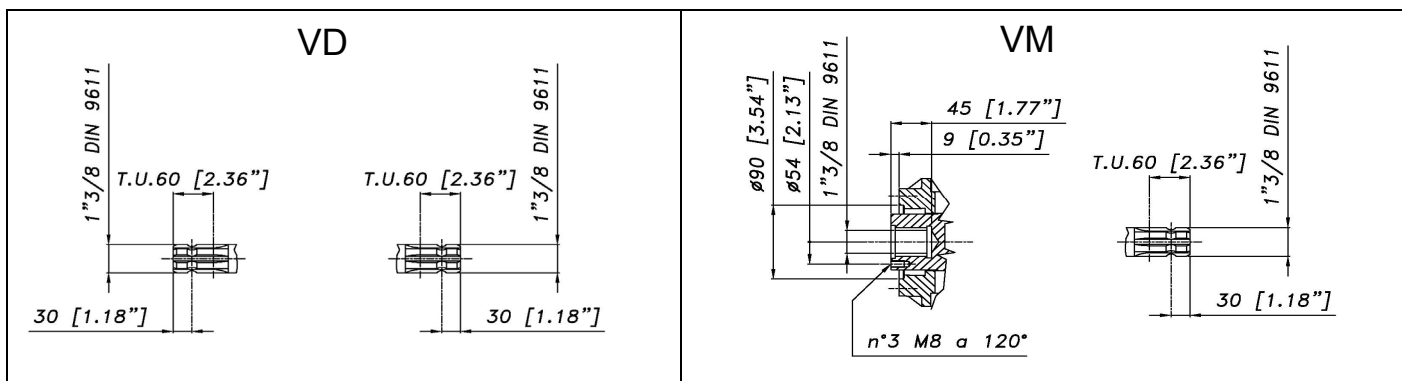
WWW.AGRICOLABLASCOONLINE.COM



DIMENSIONI D'INGOMBRO - OVERALL DIMENSIONS



ALBERO POMPA - PUMP SHAFT



COPPIA DI SERRAGGIO - TORQUE CHART

| CODICE - CODE | Q.TY | POS | N-m | Lbr.ft |
|---------------|------|-----|-----|--------|
| 49.9800.97.3 | 5 | 10 | 25 | 18,5 |
| 81.4706.00.2 | 3 | 54 | 68 | 50 |
| 86.2562.00.2 | 10 | 36 | 22 | 16,3 |
| 86.3265.00.2 | 20 | 6 | 44 | 32,5 |
| 86.3694.50.2 | 1 | 82 | 40 | 29,5 |
| 86.3947.00.2 | 30 | 8 | 98 | 72,3 |
| 86.4139.00.2 | 3 | 48 | 68 | 50 |

Tolleranza di serraggio: 0/-10%
Tolerance on torque value:

INFORMAZIONI UTILI USEFUL INFORMATION

LUBRIFICANTE- LUBRICANT:
OLIO MOTORE O SEMIIDRAULICO SAE 30
MOTOR OIL OR SEMI-HYDRAULIC OIL SAE 30

PRESSIONE ACCUMULATORE
ACCUMULATOR PRESSURE

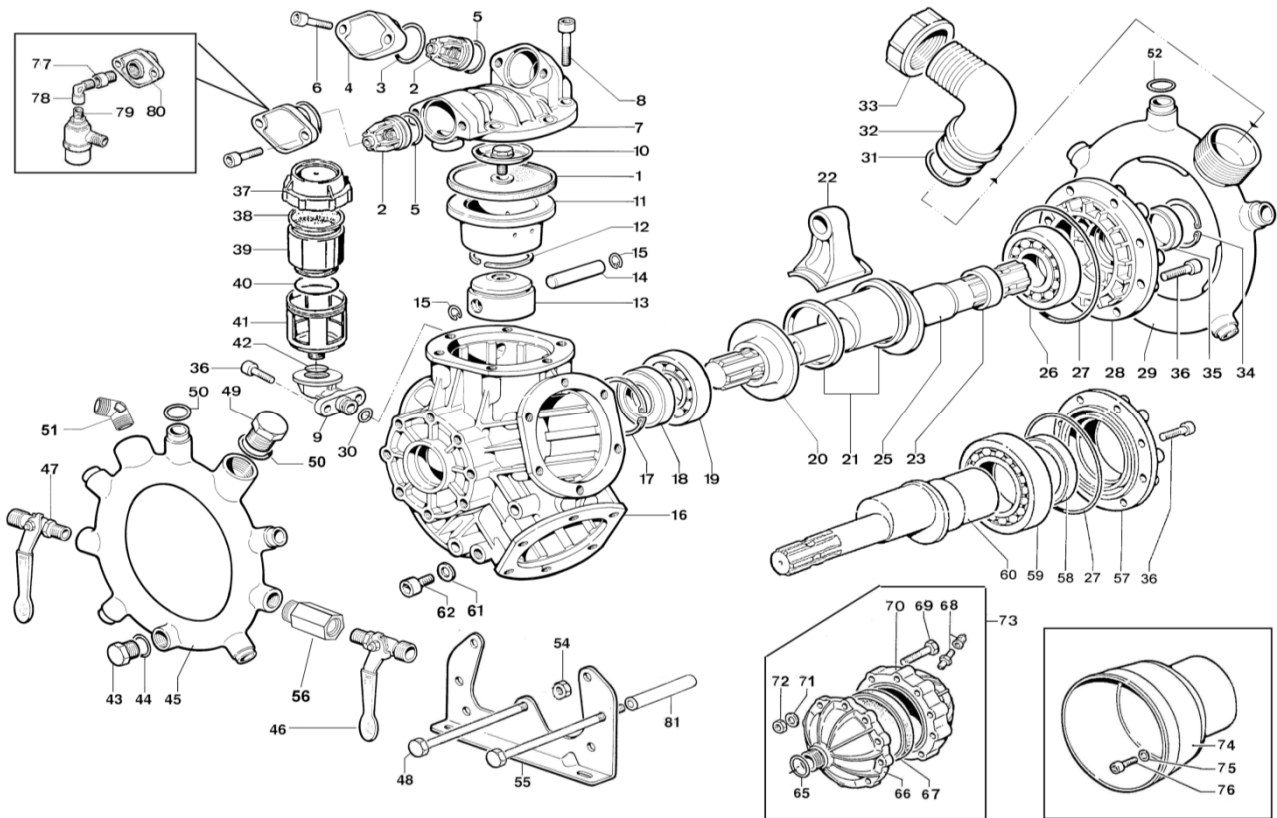
| PRESSIONE DI LAVORO - OPERATING PRESSURE | 2 ÷ 5 | 5 ÷ 10 | 10 ÷ 20 | 20 ÷ 50 |
|--|-------|--------|---------|---------|
| ACCUMULATORE ACCUMULATOR | 2 | 2 ÷ 5 | 5 ÷ 7 | 6 ÷ 8 |

KIT MEMBRANE - DIAPHRAGMS KIT

| KIT | BUNA - N | | | DESMOPAN | | | VITON | | | | | PENTAX | | | |
|--|----------|----|----|----------|----|----|-------|----|----|----|----|--------|---|----|----|
| POSIZIONE ESPLOSO POSITION NUMBER | 1 | 50 | 52 | 1 | 50 | 52 | 1 | 50 | 52 | 5 | 3 | 31 | 1 | 50 | 52 |
| QUANTITA' NEL KIT QUANTITIES INCLUDED | 5 | 5 | 5 | 5 | 5 | 5 | 5 | 7 | 5 | 10 | 10 | 1 | 5 | 5 | 5 |

KIT POMPA/KIT VALVOLE - PUMP KIT/VALVES KIT

| KIT | KIT POMPA VD PUMP KIT VD | | | | | | | KIT VALVOLE VALVES KIT | | |
|--|-----------------------------|----|----|----|----|----|----|---------------------------|----|----|
| POSIZIONE ESPLOSO POSITION NUMBER | 3 | 5 | 18 | 27 | 35 | 50 | 52 | 2 | 3 | 5 |
| QUANTITA' NEL KIT QUANTITIES INCLUDED | 10 | 10 | 1 | 1 | 1 | 7 | 5 | 10 | 10 | 10 |



| POS. | CODICE PART NO. REF. | DENOMINAZIONE - DESCRIPTION - DESCRIPTION | Q.TY |
|------|----------------------|---|------|
| 1 | 95.0040.31.2 | PISTON DIAPHRAGM | 5 |
| 1 | 95.0040.33.2 | PISTON DIAPHRAGM VITON (OPT.) | 5 |
| 1 | 95.0040.00.2 | PISTON DIAPHRAGM DESMOPAN (OPT.) | 5 |
| 1 | 95.0040.36.2 | PISTON DIAPHRAGM HPS (OPT.) | 5 |
| 2 | 35.9802.97.3 | VALVE ASSY | 10 |
| 3 | 80.3262.00.2 | O-RING 3,53x41,28 | 10 |
| 3 | 80.3262.50.2 | O-RING 3,53x41,28 (KIT VITON) | 10 |
| 4 | 35.0008.28.2 | BRASS VALVE COVER | 10 |
| 5 | 80.3251.00.2 | O-RING 3,53x32,93 | 10 |
| 5 | 80.3251.50.2 | O-RING 3,53x32,93 (KIT VITON) | 10 |
| 6 | 86.3265.00.2 | SCREW M10x25 | 20 |
| 7 | 48.0027.28.2 | PUMP HEAD | 5 |
| 8 | 86.3947.00.2 | SCREW M12X40 | 30 |
| 9 | 49.0019.08.2 | OIL FILLER COUPLING | 1 |
| 10 | 49.9800.97.3 | DISK-DIAPHRAGM LOCKING BOLT KIT | 5 |
| 11 | 49.0008.01.2 | PISTON SLEEVE | 5 |
| 12 | 81.8514.00.2 | PISTON RING DIA.62x2,5 | 10 |
| 13 | 49.0007.09.2 | PISTON | 5 |
| 14 | 85.2007.00.2 | PISTON PIN | 5 |
| 15 | 80.0021.00.2 | RING DIA.15 | 10 |
| 16 | 49.0023.09.2 | CRANKCASE | 1 |
| 17 | 80.1369.00.2 | RING DIA.52 | 1 |
| 18 | 80.2143.10.2 | OIL SEAL DIA.3 | 1 |
| 19 | 81.2876.50.2 | BEARING 35X100X25 | 1 |
| 20 | 49.0011.01.2 | SPACER | 1 |
| 21 | 14.0015.76.2 | CONROD RING | 2 |
| 22 | 49.0012.11.2 | CONROD | 5 |
| 23 | 48.0008.41.2 | SPACER | 1 |
| 25 | 41.0033.26.2 | CRANKSHAFT "VD" (1"3/8 M-M) | 1 |
| 26 | 81.2914.00.2 | BEARING 40X90X23 | 1 |
| 27 | 80.3210.68.2 | O-RING 2,62x120,32 | 1 |
| 28 | 48.0003.09.2 | BEARING COVER | 1 |
| 29 | 49.0003.12.2 | INLET MANIFOLD | 1 |
| 30 | 80.3180.00.2 | O-RING 2,62x15,08 | 1 |
| 31 | 80.3265.00.2 | O-RING 3,53x46,04 | 1 |
| 31 | 80.3265.50.2 | O-RING 3,53x46,04 (KIT VITON) | 1 |
| 31 | 80.3209.10.2 | O-RING 2,62x40,95 (OPT.) | 1 |
| 32 | 84.0592.00.2 | 90 ELBOW CONNECTOR 40-1,57" | 1 |
| 32 | 84.0590.00.2 | 90 ELBOW CONNECTOR. 40-1,57" PLAST.(OPT.) | 1 |
| 33 | 82.0121.00.2 | 2" WING NUT | 1 |
| 33 | 82.0120.00.2 | 2" WING NUT PLAST.(OPT.) | 1 |
| 34 | 80.1369.00.2 | RING DIA.52 | 1 |
| 35 | 80.2178.10.2 | OIL SEAL | 1 |
| 36 | 86.2562.00.2 | SCREW M8x20 | 10 |
| 37 | 28.0144.32.2 | OIL FILLER CAP | 1 |
| 38 | 41.0017.31.2 | OIL FILLER DIAPHRAGM | 1 |
| 39 | 41.0016.32.2 | OIL FILLER | 1 |

| POS. | CODICE PART NO. REF. | DENOMINAZIONE - DESCRIPTION - DESCRIPTION | Q.TY |
|------|----------------------|---|------|
| 40 | 80.3209.40.2 | O-RING 2,62x44,12 | 1 |
| 41 | 41.0015.09.0 | BOWL OIL FILLER | 1 |
| 42 | 80.3205.50.2 | O-RING 2,62x26,65 | 1 |
| 43 | 85.2579.00.2 | CAP G.3/8 | 1 |
| 44 | 82.4109.00.2 | GASKET DIA.17X22X1 | 1 |
| 45 | 49.0004.12.2 | OUTLET MANIFOLD | 1 |
| 46 | 84.5544.00.2 | RIGHT TAP G.3/8-G.1/2 | 1 |
| 47 | 84.5544.10.2 | LEFT TAP G.3/8-G.1/2 | 1 |
| 48 | 86.4139.00.2 | SCREW M12x160 | 7 |
| 49 | 85.2693.00.2 | CAP G.3/4 | 1 |
| 50 | 80.3189.00.2 | O-RING 2,62x18,72 | 6 |
| 50 | 80.3189.50.2 | O-RING 2,62x18,72 (KIT VITON) | 6 |
| 51 | 83.5063.28.2 | CONNECTOR 60° G 3/4 M-M | 1 |
| 52 | 80.3204.00.2 | O-RING 2,62x23,81 | 5 |
| 52 | 80.3204.50.2 | O-RING 2,62x23,81 (KIT VITON) | 5 |
| 54 | 81.4706.00.2 | NUT M12 | 7 |
| 55 | 49.0028.61.2 | MOUNTING RAIL | 2 |
| 56 | 49.0021.53.2 | EXTENSION | 2 |
| 57 | 48.0004.09.2 | BEARING COVER VM | 1 |
| 58 | 80.2264.10.2 | OIL SEAL DIA.68x90x10 | 1 |
| 59 | 81.3020.00.2 | BEARING 70X125X24 | 1 |
| 60 | 48.0009.26.2 | CRANKSHAFT "VM" (1"3/8 M-F) | 1 |
| 61 | 82.4066.00.2 | GASKET | 1 |
| 62 | 86.3694.50.2 | SCREW M12x20 | 1 |
| 65 | 80.3200.00.2 | O-RING 2,62x22,2 (OPT.) | 1 |
| 65 | 80.3200.00.2 | O-RING 2,62x22,2 (OPT.) | 1 |
| 66 | 48.0021.28.2 | LOWER BALLASTER (OPT.) | 1 |
| 67 | 93.0041.31.2 | BALLASTER DIAPHRAGM (OPT.) | 1 |
| 67 | 93.0041.33.2 | BALLASTER DIAPHRAGM (VITON) (OPT.) | 1 |
| 68 | 86.1605.00.2 | AIR VALVE (OPT.) | 1 |
| 69 | 86.2785.00.2 | SCREW M8X40 UNI5737 (AL. VERSION) (OPT.) | 10 |
| 69 | 86.2785.00.2 | SCREW M8X30 UNI5737 (BR. VERSION) (OPT.) | 10 |
| 70 | 93.0003.09.2 | BALLASTER COVER (AL. VERSION) (OPT.) | 1 |
| 70 | 48.0033.28.2 | BALLASTER COVER (BR. VERSION) (OPT.) | 1 |
| 71 | 84.3685.00.2 | WASHER DIA.8,2X15X1,5 UNI1750 (OPT.) | 10 |
| 72 | 81.4575.00.2 | NUT M8 UNI5588 (OPT.) | 10 |
| 73 | 48.9802.97.3 | BALLASTER KIT BR./AL. (OPT.) | 1 |
| 73 | 48.9817.97.3 | BALLASTER KIT BR./BR. (OPT.) | 1 |
| 74 | 31.1482.32.2 | PLAIN SAFETY CONE L=180 (OPT.) | 1 |
| 74 | 31.1468.32.2 | PLAIN SAFETY CONE L=135 (OPT.) | 1 |
| 75 | 84.3696.00.2 | WASHER DIA8,4X18X2 (OPT.) | 2 |
| 76 | 86.2547.00.2 | SCREW TCEI M8x18 UNI5931 (OPT.) | 2 |
| 77 | 83.5033.00.2 | REDUCTION G.1/2-G.3/8 (OPT.) | 1 |
| 78 | 82.2044.50.2 | ELBOW M/F G.3/8 (OPT.) | 1 |
| 79 | 24.3050.97.3 | SAFETY VALVE 50 BAR (OPT.) | 1 |
| 80 | 35.0019.28.2 | VALVE COVER G.1/2 F. (OPT.) | 1 |
| 81 | 49.0029.75.2 | SPACER | 4 |