

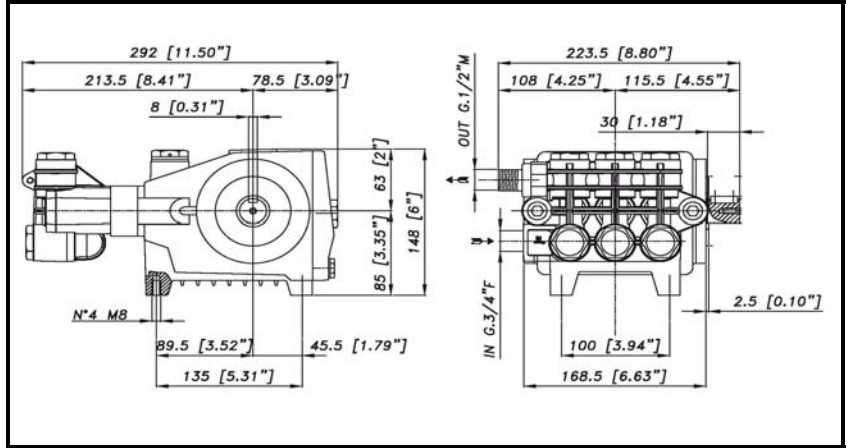
# DESPIECE BOMBA-PISTONES C40.1

**BERTOLINI**  
pumps

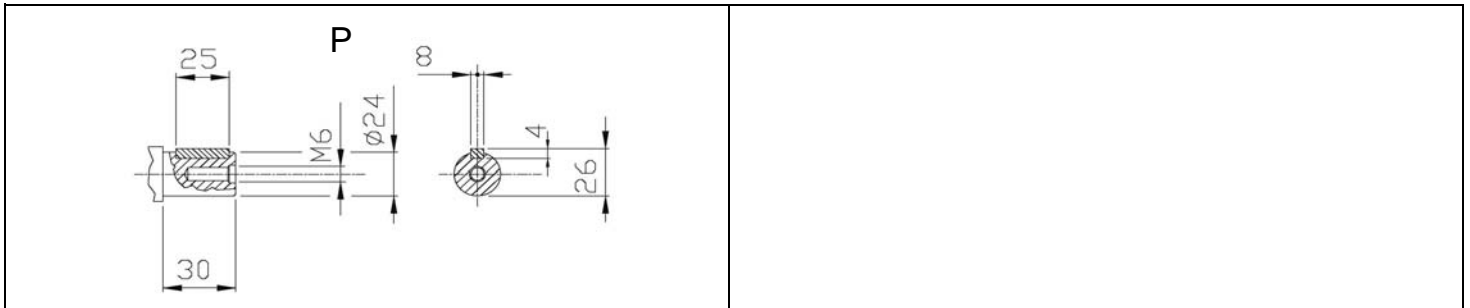
PARA MÁS CONSULTAS O DUDAS:  
LLÁMANOS: 96 545 53 91 - 96 661 52 44  
MÁNDANOS UN WHATSAPP 609 87 53 95  
O UN E-MAIL : INFO@BLASCOMOTOR.COM

**WWW.AGRICOLABLASCOONLINE.COM**

DIMENSIONI D'INGOMBRO - OVERALL DIMENSIONS



ALBERO POMPA - PUMP SHAFT



COPPIA DI SERRAGGIO - TORQUE CHART

CODICE - CODE	Q.TY	POS	N-m	Lbr.ft
86.2086.00.2	6	9	10	7,4
86.2190.00.2	2	11	10	7,4
38.0389.53.2	6	23	68	50,2
86.4080.00.2	2	25	68	50,2
86.2270.00.2	3	27	8 (LOXEAL 83-54)	5,9 (LOXEAL 83-54)
86.2131.00.2	4	43	10	7,4

Tolleranza di serraggio: 0/-10%  
Tolerance on torque value: 0/-10%

INFORMAZIONI UTILI  
USEFUL INFORMATION

LUBRIFICANTE- LUBRICANT:  
OLIO MOTORE O SEMIIDRAULICO SAE 30  
MOTOR OIL OR SEMI-HYDRAULIC OIL SAE 30





