

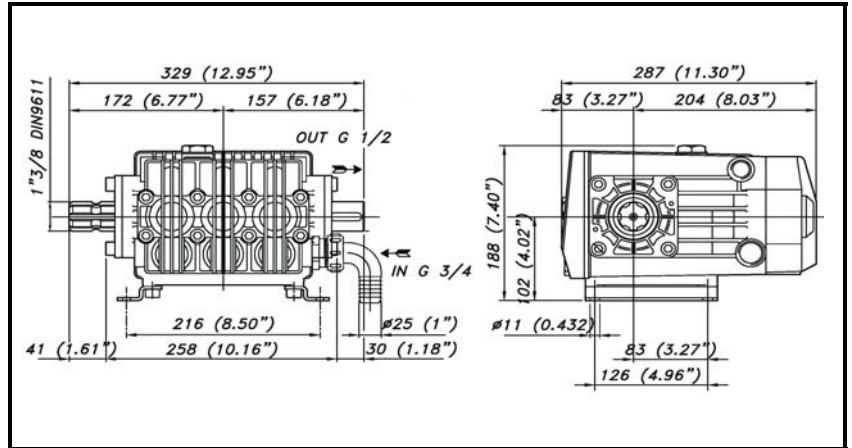
# DESPIECE BOMBA-PISTONES C53.2 P PP

**BERTOLINI**  
pumps

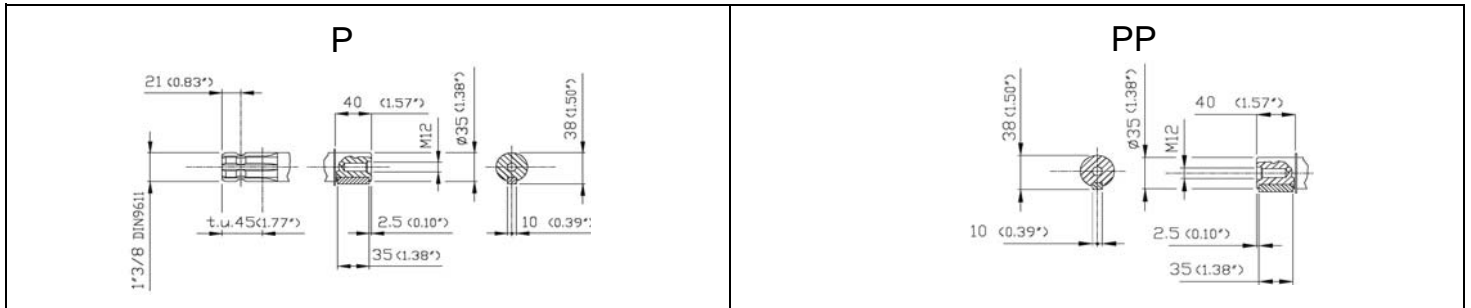
PARA MÁS CONSULTAS O DUDAS:  
LLÁMANOS: 96 545 53 91 - 96 661 52 44  
MÁNDANOS UN WHATSAPP 609 87 53 95  
O UN E-MAIL : INFO@BLASCOMOTOR.COM

**WWW.AGRICOLABLASCOONLINE.COM**

DIMENSIONI D'INGOMBRO - OVERALL DIMENSIONS



ALBERO POMPA - PUMP SHAFT



COPPIA DI SERRAGGIO - TORQUE CHART

CODICE - CODE	Q.TY	POS	N-m	Lbr.ft
86.2216.00.2	9	13	10	7,4
86.2730.00.2	6	54	22 (LOXEAL 54-03)	16,2 (LOXEAL 54-03)
86.3521.00.2	8	36	40	29,6
53.0015.53.2	3	34	35 (LOXEAL 54-03)	25,9 (LOXEAL 54-03)
86.3325.00.2	3	32	28 (LOXEAL 83-54)	20,7 (LOXEAL 83-54)
86.3212.00.2	4	44	40	29,6
86.3185.00.2	8	52	40	29,6

Tolleranza di serraggio: 0/-10%  
Tolerance on torque value:

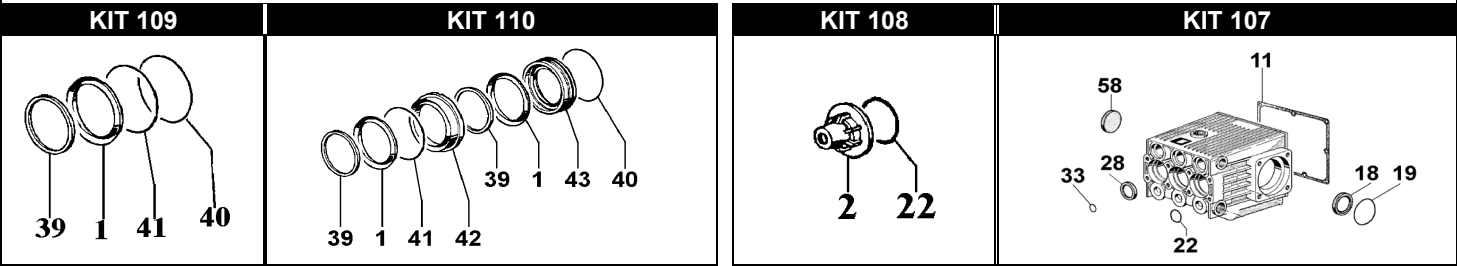
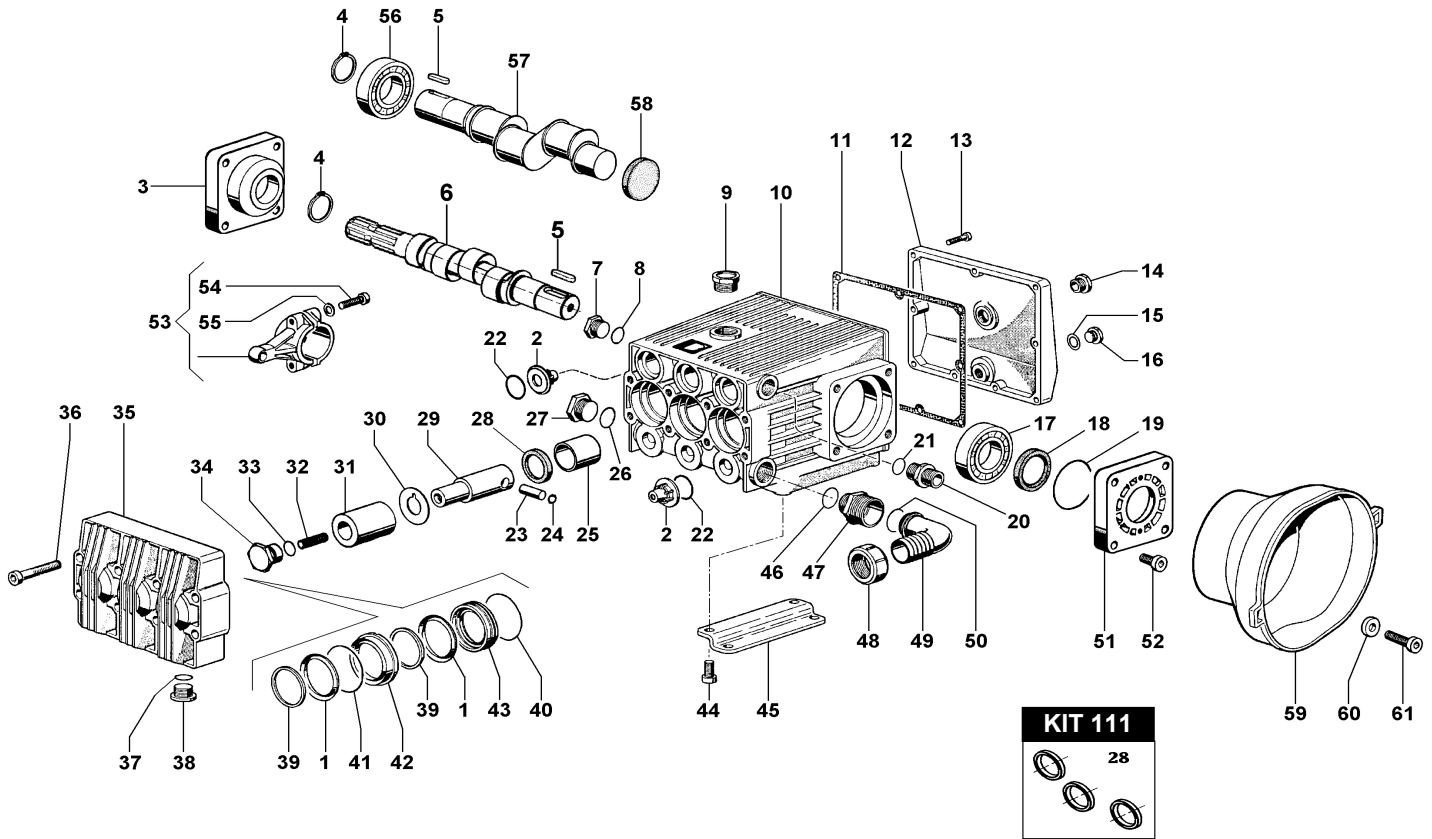


INFORMAZIONI UTILI  
USEFUL INFORMATION



LUBRIFICANTE - LUBRICANT:

OLIO MOTORE O SEMIIDRAULICO SAE 30  
MOTOR OIL OR SEMI-HYDRAULIC OIL SAE 30



POS.	CODICE PART NO. RÉF.	DENOMINAZIONE - DESCRIPTION - DESCRIPTION	Q.TY
1-kit 109-110	802170002	V PACKING DIA.38X48	6
2-kit 108	539801973	VALVES ASSY	6
3	530013092	BEARING COVER	1
4	801264002	CIRCLIP DIA.35	1
5	806578002	FEATHER KEY 10X8X35	1
6	530006262	CRANKSHAFT (vr. "P")	1
7	852633002	PLUG G 1/2	1
8	803187002	O-RING	1
9	853518002	OIL FILLER PLUG	1
10	530022092	PUMP CRANKCASE	1
11-kit 107	530012722	BACK COVER GASKET	1
12	530033092	CRANKCASE COVER	1
13	862216002	BOLT M6X25	9
14	853505002	OIL SIGHT GLASS	1
15	824081002	GASKET 13,2X19X1,5	1
16	852542502	PLUG G 1/4	1
17	812846002	BEARING DIA.35X72X17	2
18-kit 107	802143102	OIL SEAL	1
19-kit 107	803287002	O-RING 4325 DIA.3,53X82,14	2
20	835051102	NIPPLE	1
21	803187002	O-RING	1
22-kit 107-108	803320002	O-RING DIA.5X26	6
23	852006242	PISTON PIN 12X27	3
24	801080002	CIRCLIP D.12 UNI 7437	6
25	804460002	BUSHING 3540	3
26	803205002	O-RING DIA.2,62X25,07	1
27	852680002	CAP G 3/4	1
28-kit 107-111	802133002	OIL SEAL 35X45X7	3
29	530021092	PLUNGER ROD DIA. 35 MM	3
30	530017682	WASHER	3
31	530018182	CERAMIC PISTON DIA.38 MM	3
32	863325002	BOLT STEI M10X35	3

POS.	CODICE PART NO. RÉF.	DENOMINAZIONE - DESCRIPTION - DESCRIPTION	Q.TY
33-kit 107	803182502	O-RING DIA.2,62X17,13	3
34	530015532	PLUG	3
35	539802973	HEAD	1
36	863521002	BOLT STEI M10X35	8
37	803187002	O-RING	3
38	852625002	CAP M20X1,5	3
39-kit 109-110	530014322	THRUST RING	6
40-kit 109-110	803209602	O-RING 3187 DIA.2,62X47,30	3
41-kit 109-110	803265002	O-RING DIA.3,53X46,01	3
42-kit 110	530009532	FRONT GLAND	3
43-kit 110	530008532	REAR GLAND	3
44	863212002	BOLT M10X20	4
45	530010612	MOUNTING RAIL	2
46	803205002	O-RING DIA.2,62X25,07	1
47	835062102	NIPPLE	1
48	820049002	WING NUT M34	1
49	840542002	90° ELBOW TAIL DIA,25-1"	1
50	803200002	O-RING DIA.2,62X22,22	1
51	530024092	BEARING COVER	1
52	863212002	BOLT M10X20	8
53	539800972	CONNECTING ROD	3
54	862730002	BOLT M8X30	6
55	843652002	WASHER DIA.8,41X13X1,2	6
56	812848002	BEARING DIA.35X72X17 (vr. "PP")	1
57	530020262	CRANKSHAFT (vr. "PP")	1
58-kit 107	802099602	CAP (vr. "PP")	1
59	311468322	CUFFIA DI PROTEZIONE (OPTIONAL)	1
60	843801002	WASHER DIA10,5X18X2 (OPTIONAL)	4
61	863265002	BOLT M10X25 (OPTIONAL)	4
REPAIR KIT	NO.s INCLUDED	PGS.	
kit 107	539814973	SPARE PARTS KIT	17
kit 108	539812973	SPARE PARTS KIT	12
kit 109	539810973	SPARE PARTS KIT	18
kit 110	539816973	SPARE PARTS KIT	24
kit 111	539817973	SPARE PARTS KIT	3